



US00D370871S

# United States Patent [19]

[11] Patent Number: **Des. 370,871**

Weder et al.

[45] Date of Patent: **\*\*\* Jun. 18, 1996**

[54] **FLOWER POT COVER**

[75] Inventors: **Donald E. Weder; Joseph G. Straeter,**  
both of Highland, Ill.

[73] Assignee: **Southpac Trust International, Inc.,**  
Highland, Ill.

[\*] Notice: The portion of the term of this patent  
subsequent to Aug. 15, 2009, has been  
disclaimed.

[\*\*] Term: **14 Years**

[21] Appl. No.: **8,175**

[22] Filed: **May 10, 1993**

### Related U.S. Application Data

[63] Continuation-in-part of Ser. No. 807,907, Dec. 16, 1991,  
which is a continuation-in-part of Ser. No. 710,272, Jun. 4,  
1991, which is a continuation-in-part of Ser. No. 617,454,  
Nov. 21, 1990, abandoned, and a continuation-in-part of Ser.  
No. 411,249, Sep. 22, 1989, Pat. No. Des. 358,113, Ser. No.  
411,247, Sep. 22, 1989, and Ser. No. 411,245, Sep. 22, 1989,  
abandoned.

[52] **U.S. Cl.** ..... **D11/164**

[58] **Field of Search** ..... **D11/143, 149,**  
**D11/152-156, 164, 89, 90; 47/66, 72; 206/423;**  
**215/100.5; 229/1.5 R, 1.5 B, 4.5, 87.01,**  
**922, 930, 108, 108.1, 109, 110; 428/27,**  
**35.1, 24, 542.6; D9/346, 428-431; D27/102,**  
**133; D26/128-136; D19/96; D7/540, 584,**  
**586, 587, 354**

[56] **References Cited**

### U.S. PATENT DOCUMENTS

|            |         |               |       |           |
|------------|---------|---------------|-------|-----------|
| D. 292,182 | 10/1987 | Weder et al.  | ..... | D11/164   |
| D. 292,562 | 11/1987 | Weder et al.  | ..... | D11/164   |
| D. 293,224 | 12/1987 | Weder et al.  | ..... | D11/164   |
| D. 293,775 | 1/1988  | Weder et al.  | ..... | D11/164   |
| D. 317,583 | 6/1991  | Weder et al.  | ..... | D11/164   |
| D. 318,030 | 7/1991  | Weder et al.  | ..... | D11/164   |
| D. 327,234 | 6/1992  | Vaughn        | ..... | D11/143   |
| D. 355,392 | 2/1995  | Weder et al.  | ..... | D11/164 X |
| 1,065,486  | 6/1913  | Washburn      | ..... | 229/400   |
| 2,054,934  | 9/1936  | Graffenberger | ..... | 229/1.5 B |

|           |         |              |       |             |
|-----------|---------|--------------|-------|-------------|
| 2,102,510 | 12/1937 | Cecil, 2d    | ..... | 229/1.5 B   |
| 2,355,559 | 8/1944  | Renner       | ..... | 229/8       |
| 2,367,749 | 1/1945  | Barbieri     | ..... | 229/1.5 B   |
| 3,443,741 | 5/1969  | Stockdale    | ..... | D9/431 X    |
| 5,127,817 | 7/1992  | Weder et al. | ..... | 425/383     |
| 5,339,565 | 8/1994  | Weder et al. | ..... | 229/1.5 B X |

### FOREIGN PATENT DOCUMENTS

103316 3/1938 Australia ..... 229/922

### OTHER PUBLICATIONS

Exhibit A—Speed Cover® Brochure—The Simple Solution  
... , ©1989.

*Primary Examiner*—Jeffrey Asch  
*Attorney, Agent, or Firm*—Dunlap & Coddling

[57] **CLAIM**

The ornamental design for a flower pot cover, as shown and  
described.

### DESCRIPTION

FIG. 1 is a perspective view of our new flower pot cover  
design;

FIG. 2 is a side elevational view thereof;

FIG. 3 is a top plan view thereof;

FIG. 4 is a bottom plan view thereof;

FIG. 5 is a side elevational view of the design of FIG. 1, the  
only difference being in the horizontal angle of the skirt;

FIG. 6 is a side elevational view of the design of FIG. 1, the  
only difference being in the near vertical angle of the skirt;

FIG. 7 is a side elevational view of the design of FIG. 1, the  
only difference being in the downward angle of the skirt;

FIG. 8 is a perspective view of a second embodiment of our  
new flower pot cover design;

FIG. 9 is a side elevational view thereof;

FIG. 10 is a top plan view thereof;

FIG. 11 is a bottom plan view thereof;

FIG. 12 is a side elevational view of the design of FIG. 8,  
the only difference being in the horizontal angle of the skirt;

FIG. 13 is a side elevational view of the design of FIG. 8,  
the only difference being in the near vertical angle of the  
skirt;

FIG. 14 is a side elevational view of the design of FIG. 8,  
the only difference being in the downward angle of the skirt;

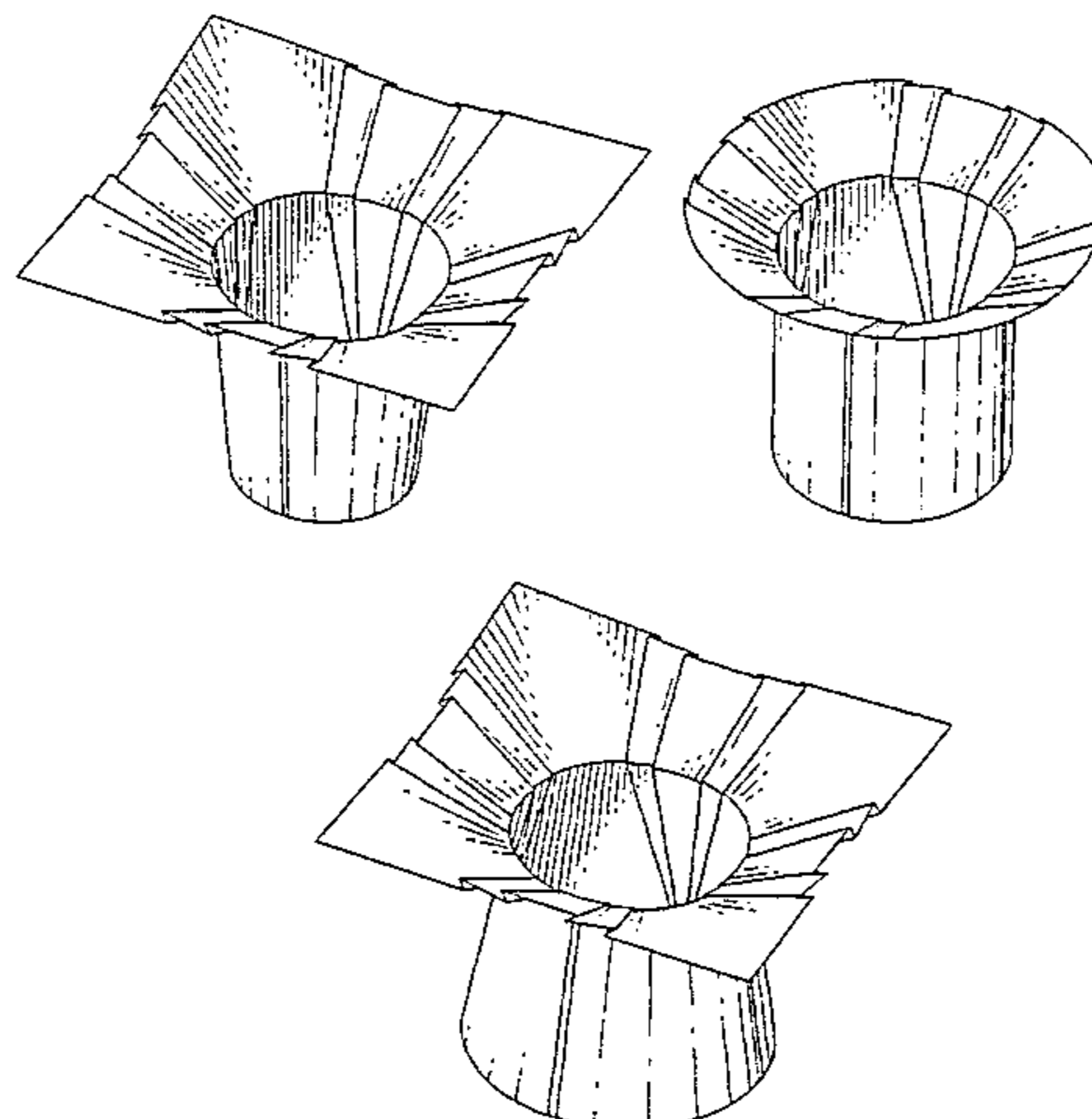


FIG. 15 is a perspective view of a third embodiment of our new flower pot cover design;

FIG. 16 is a side elevational view thereof;

FIG. 17 is a top plan view thereof;

FIG. 18 is a bottom plan view thereof;

FIG. 19 is a side elevational view of the design of FIG. 15, the only difference being in the horizontal angle of the skirt;

FIG. 20 is a side elevational view of the design of FIG. 15, the only difference being in the near vertical angle of the skirt;

FIG. 21 is a side elevational view of the design of FIG. 15, the only difference being in the downward angle of the skirt;

FIG. 22 is a perspective view of a fourth embodiment of our new flower pot cover design;

FIG. 23 is a side elevational view thereof;

FIG. 24 is a top plan view thereof;

FIG. 25 is a bottom plan view thereof;

FIG. 26 is a side elevational view of the design of FIG. 22, the only difference being in the horizontal angle of the skirt;

FIG. 27 is a side elevational view of the design of FIG. 22, the only difference being in the near vertical angle of the skirt;

FIG. 28 is a side elevational view of the design of FIG. 22, the only difference being in the downward angle of the skirt;

FIG. 29 is a perspective view of a fifth embodiment of our new flower pot cover design;

FIG. 30 is a side elevational view thereof;

FIG. 31 is a top plan view thereof;

FIG. 32 is a bottom plan view thereof;

FIG. 33 is a side elevational view of the design of FIG. 29, the only difference being in the horizontal angle of the skirt;

FIG. 34 is a side elevational view of the design of FIG. 29, the only difference being in the near vertical angle of the skirt; and,

FIG. 35 is a side elevational view of the design of FIG. 29, the only difference being in the downward angle of the skirt.

The characteristic feature of the design resides in the specific pleating arrangement, comprised of the parallel disposition of the exterior folds, in combination with the interior V-shaped folds, all as best seen in FIGS. 1, 8, 15, 22, and 29. The flower pot cover has no substantial thickness.

**1 Claim, 8 Drawing Sheets**

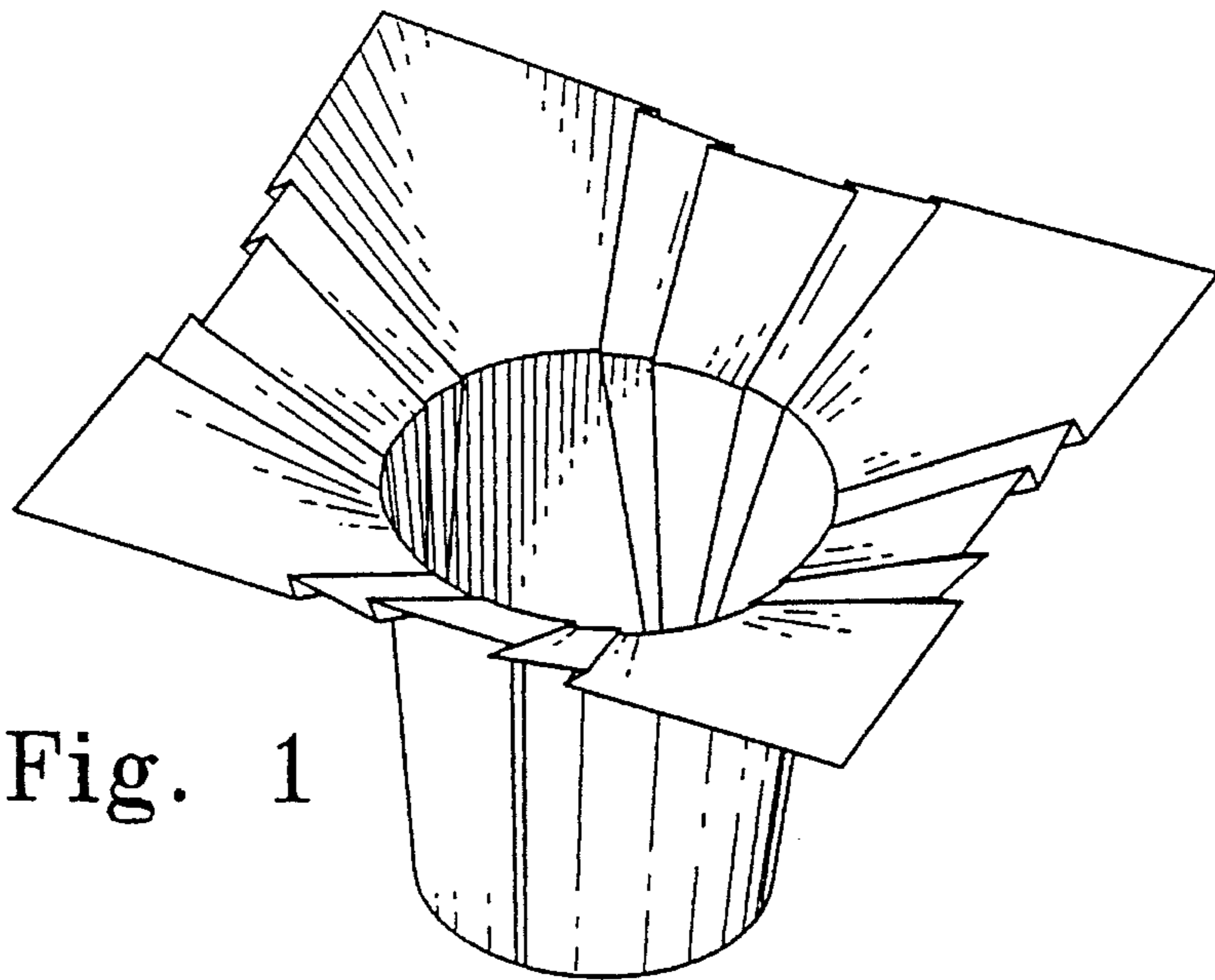


Fig. 1

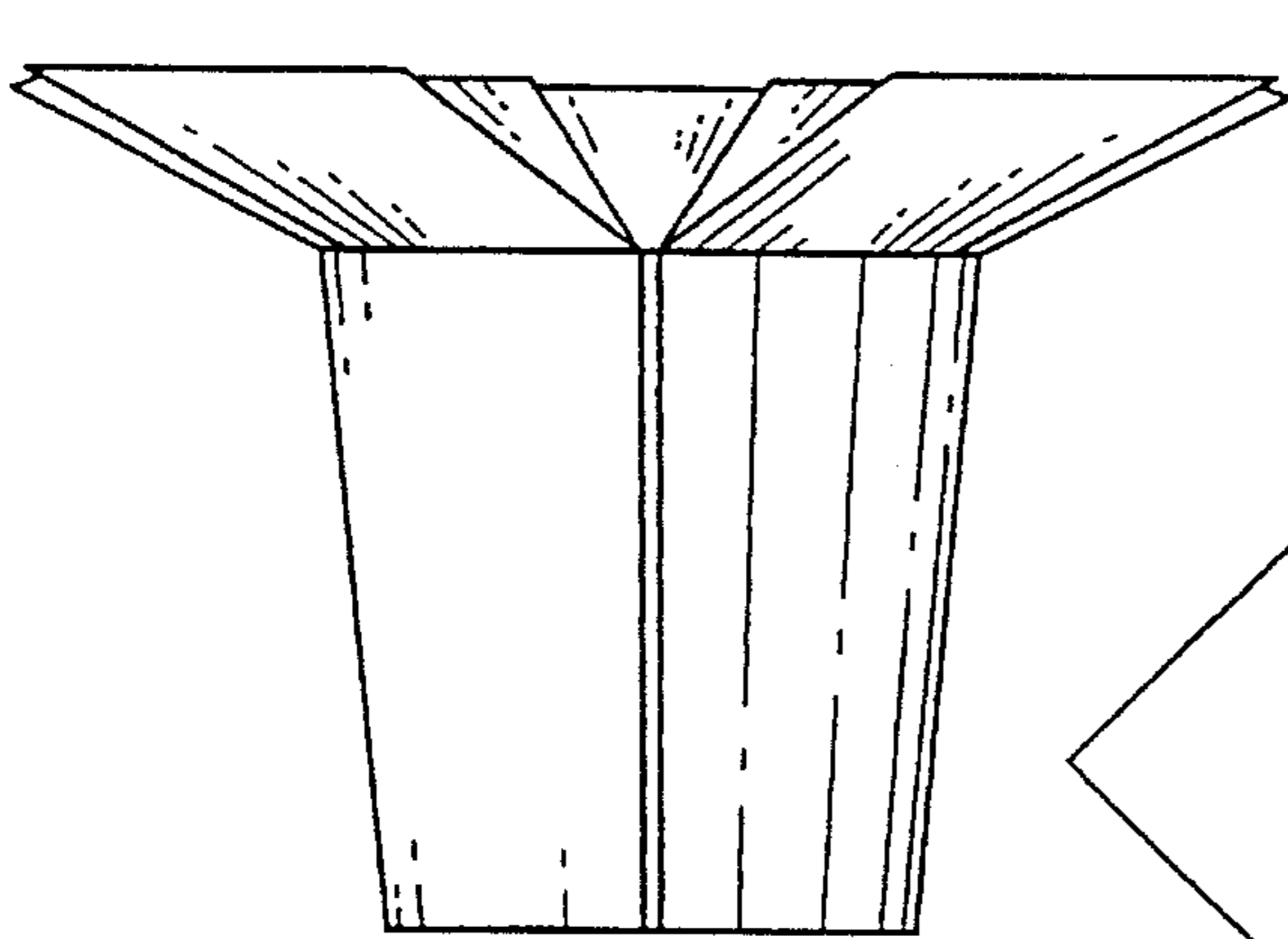


Fig. 2

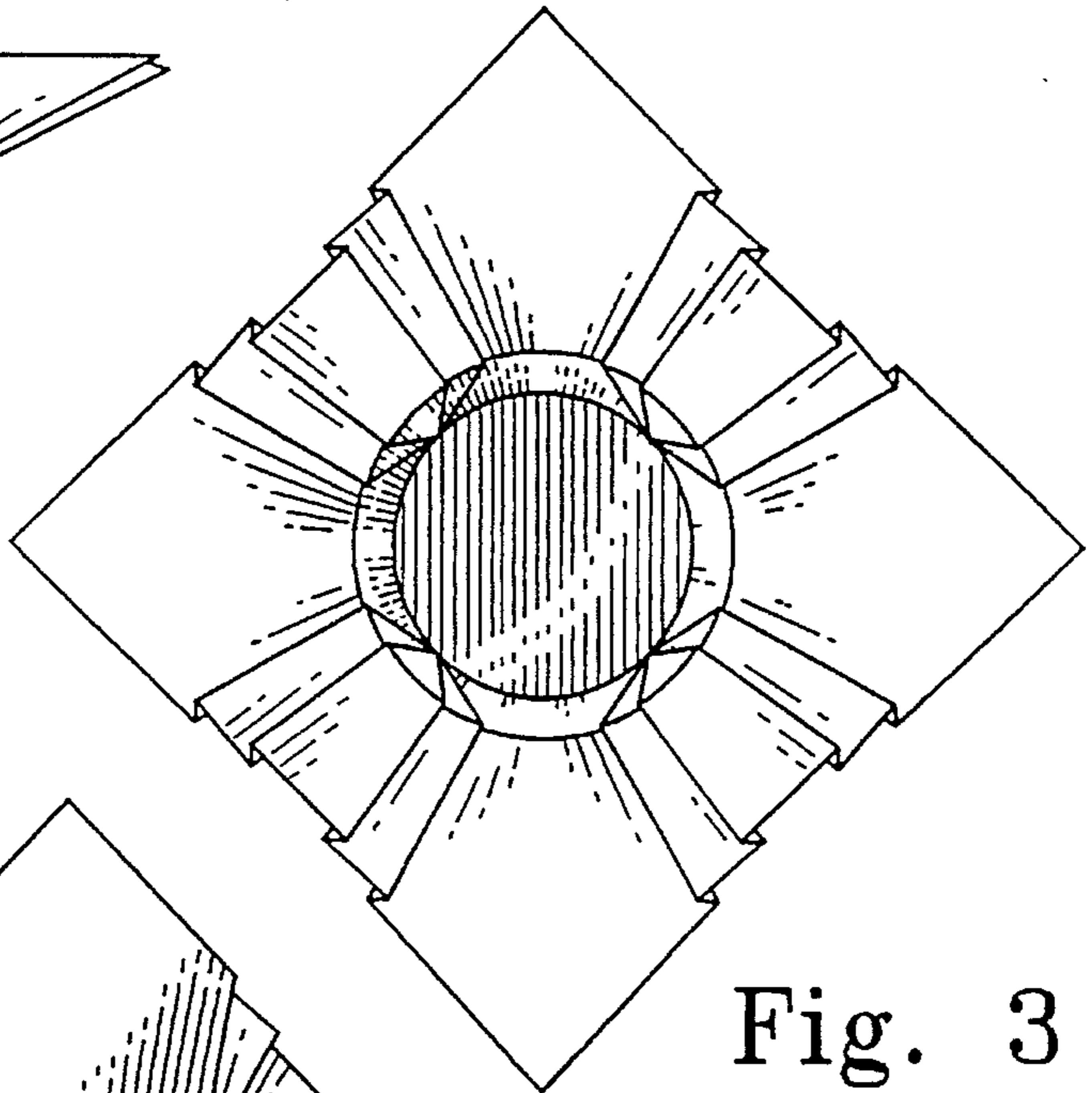


Fig. 3

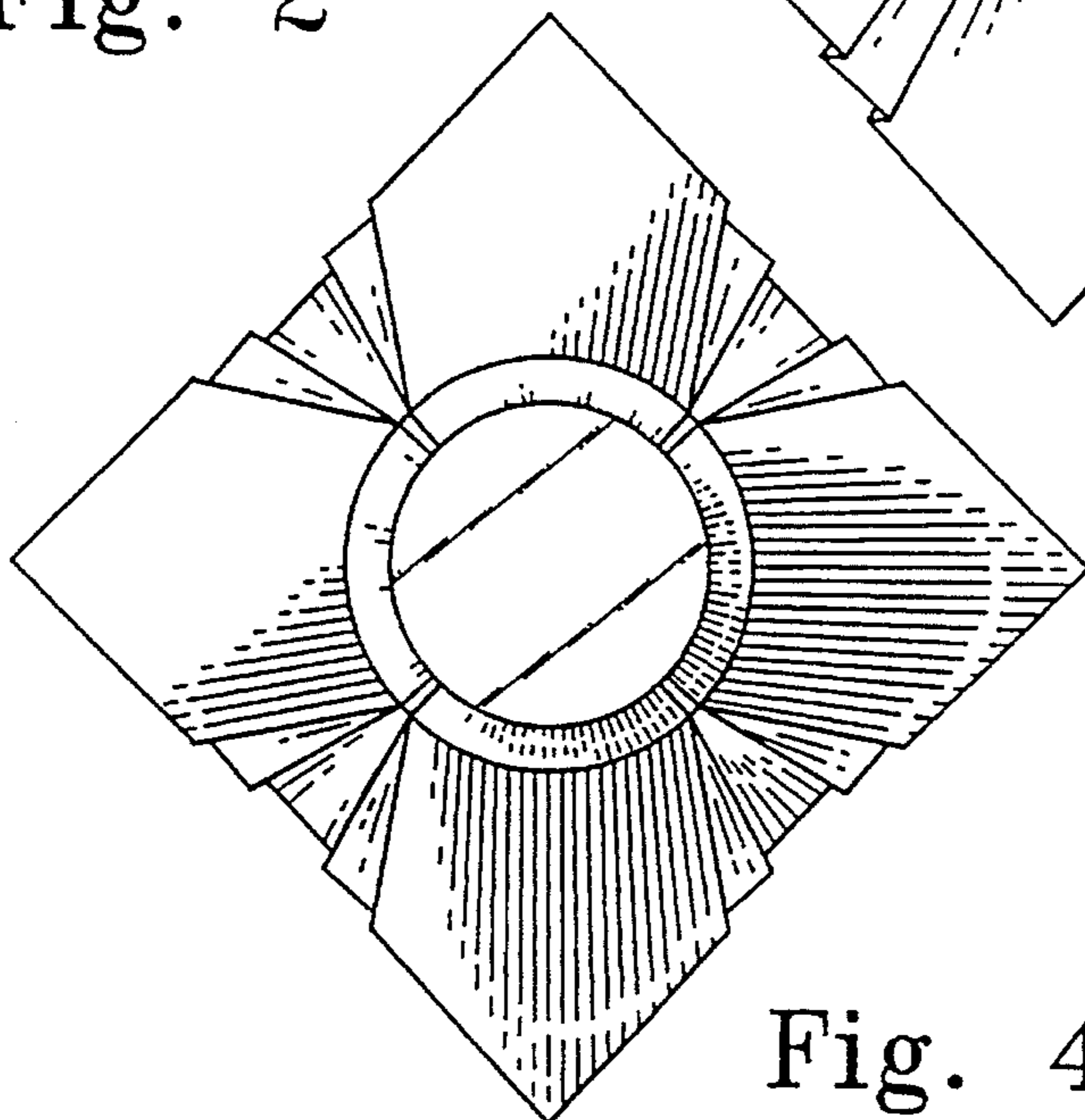


Fig. 4

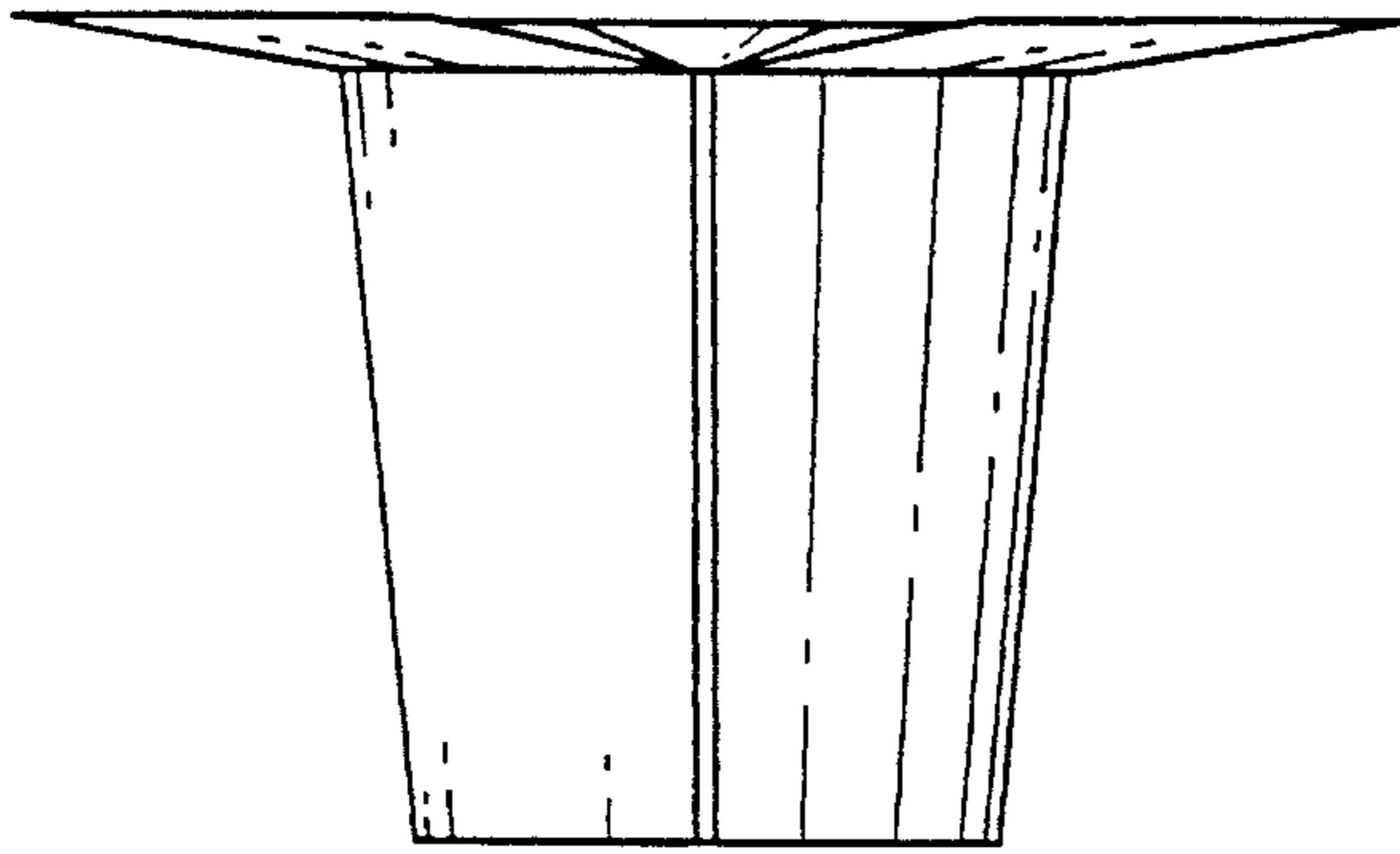


Fig. 5

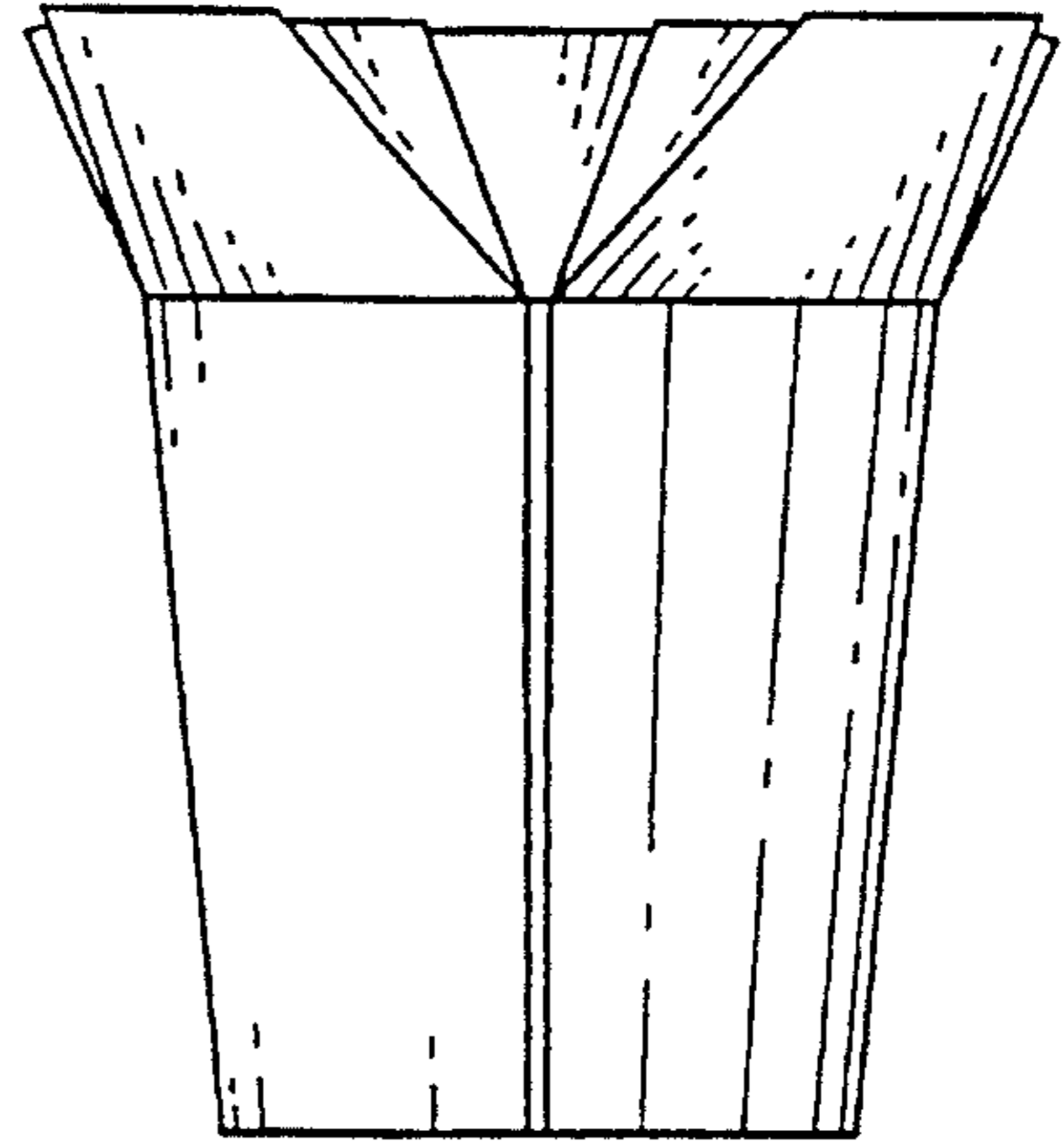


Fig. 6

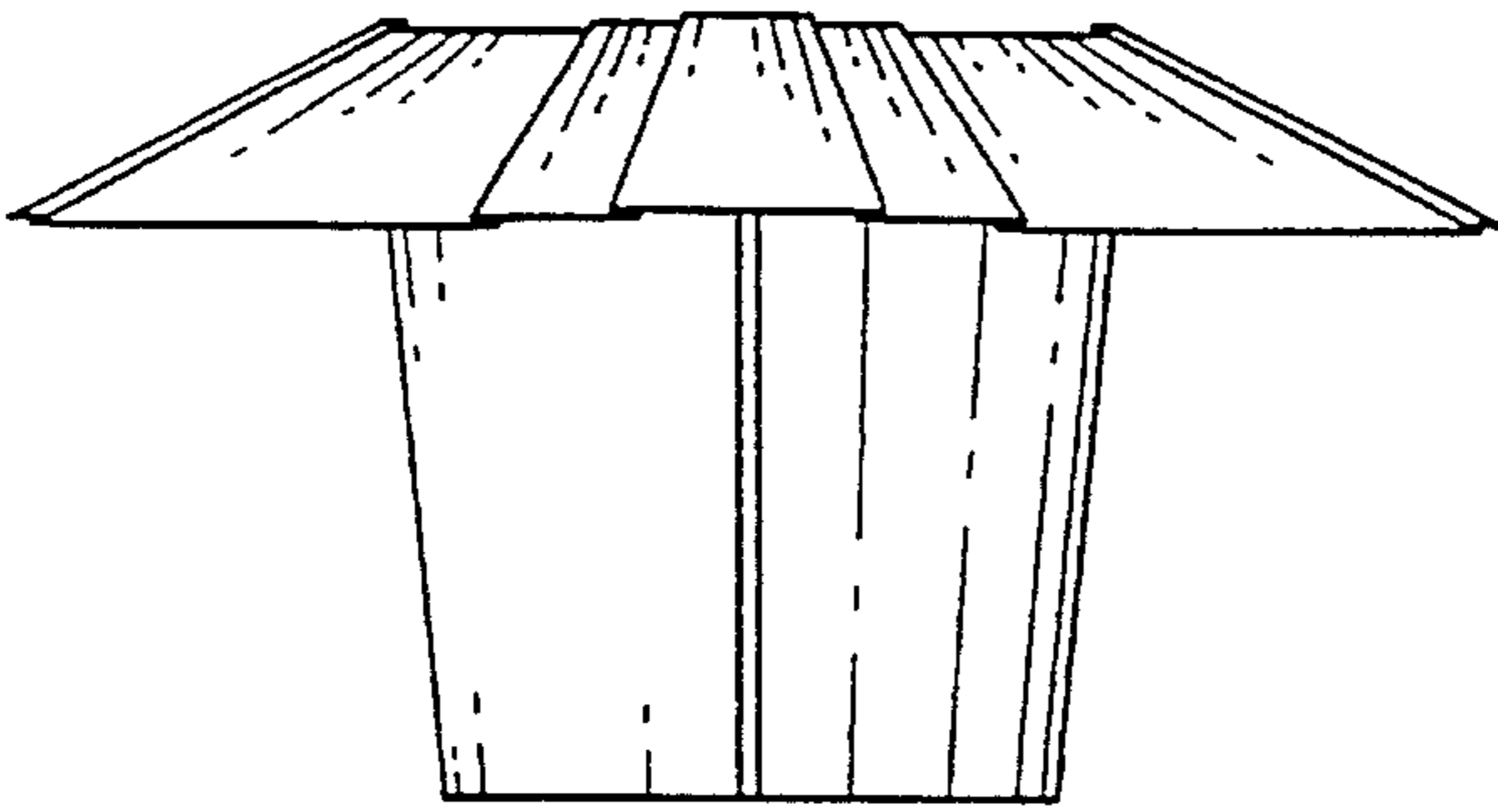


Fig. 7

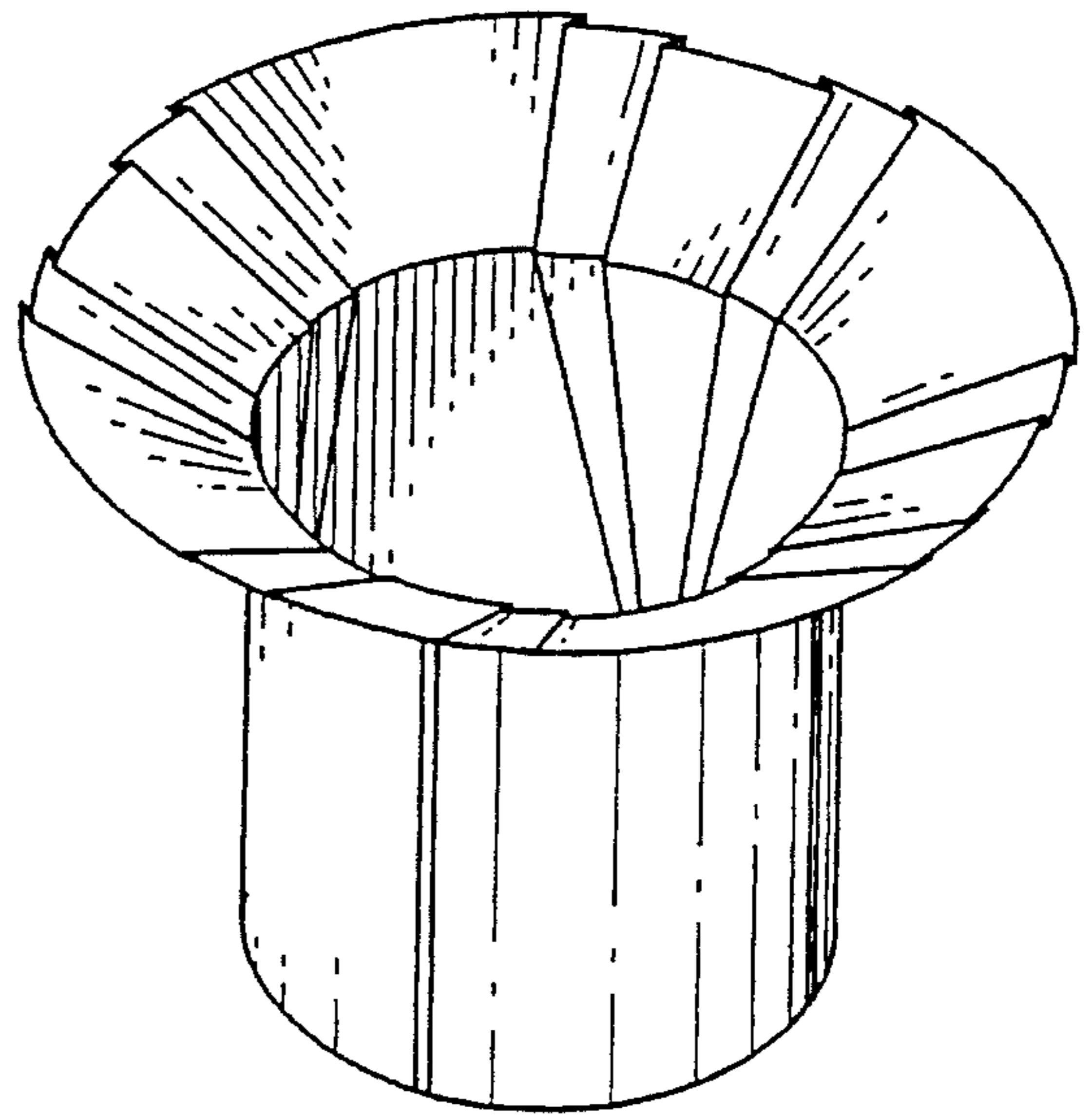


Fig. 8

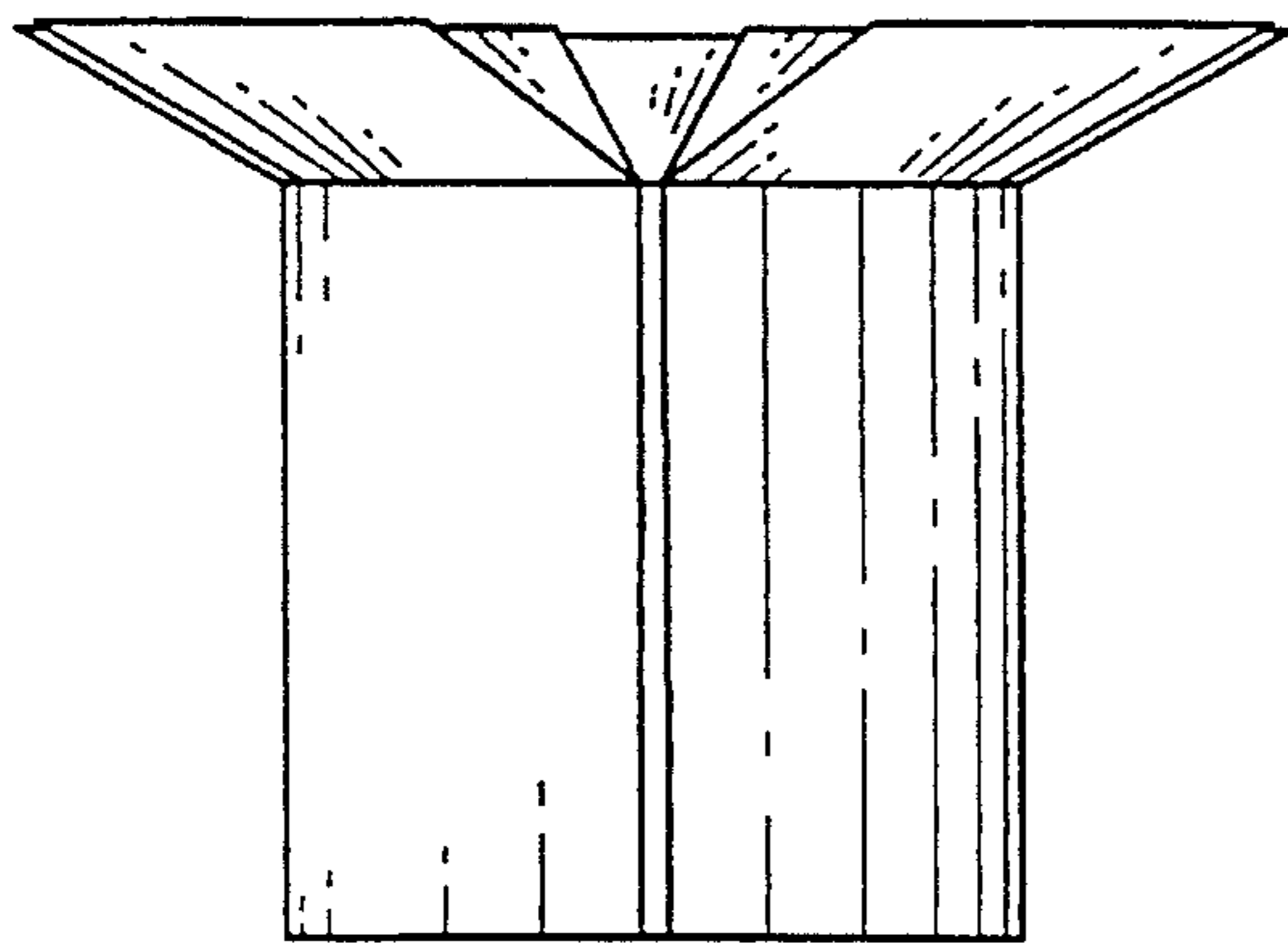


Fig. 9

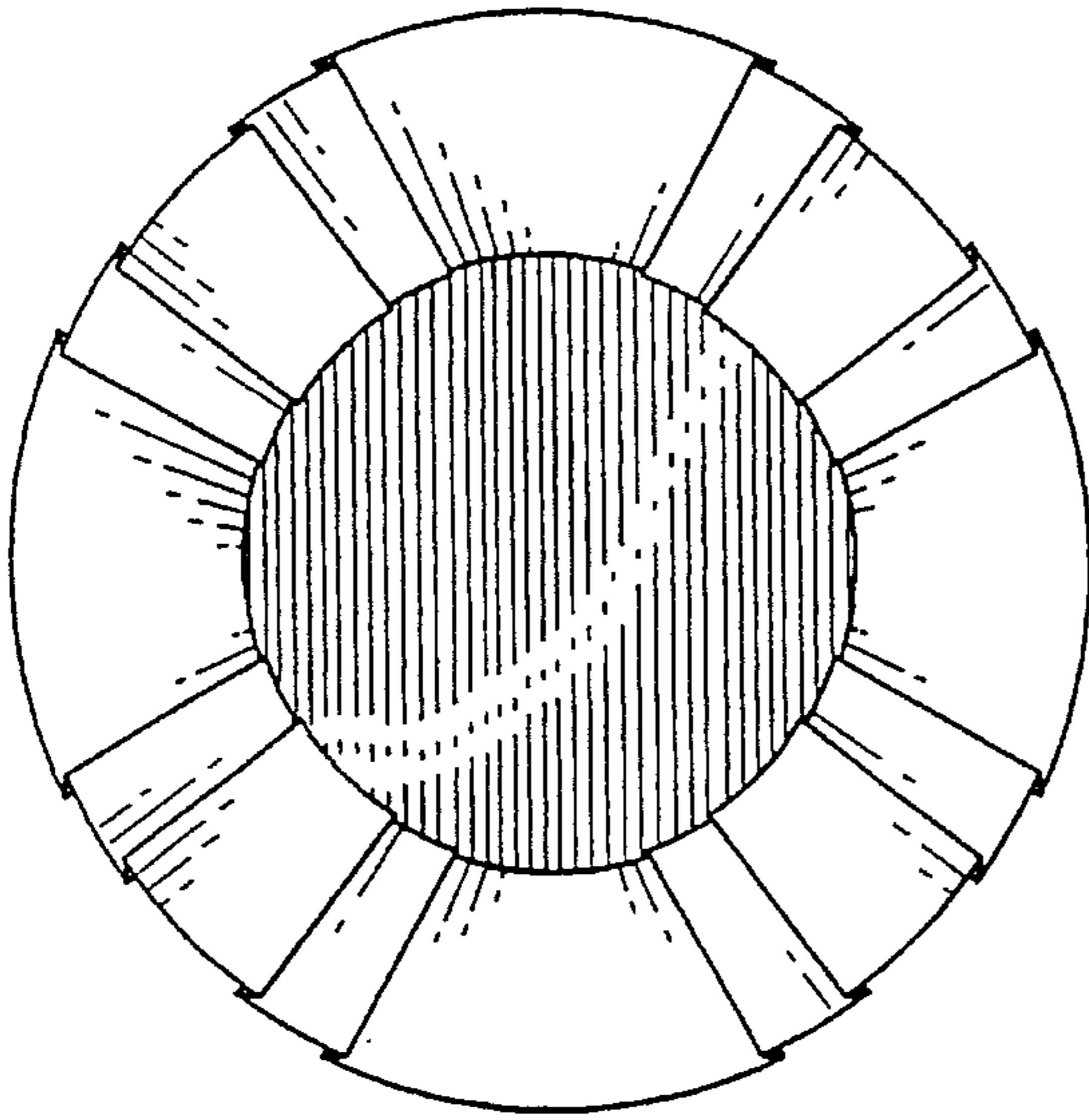


Fig. 10

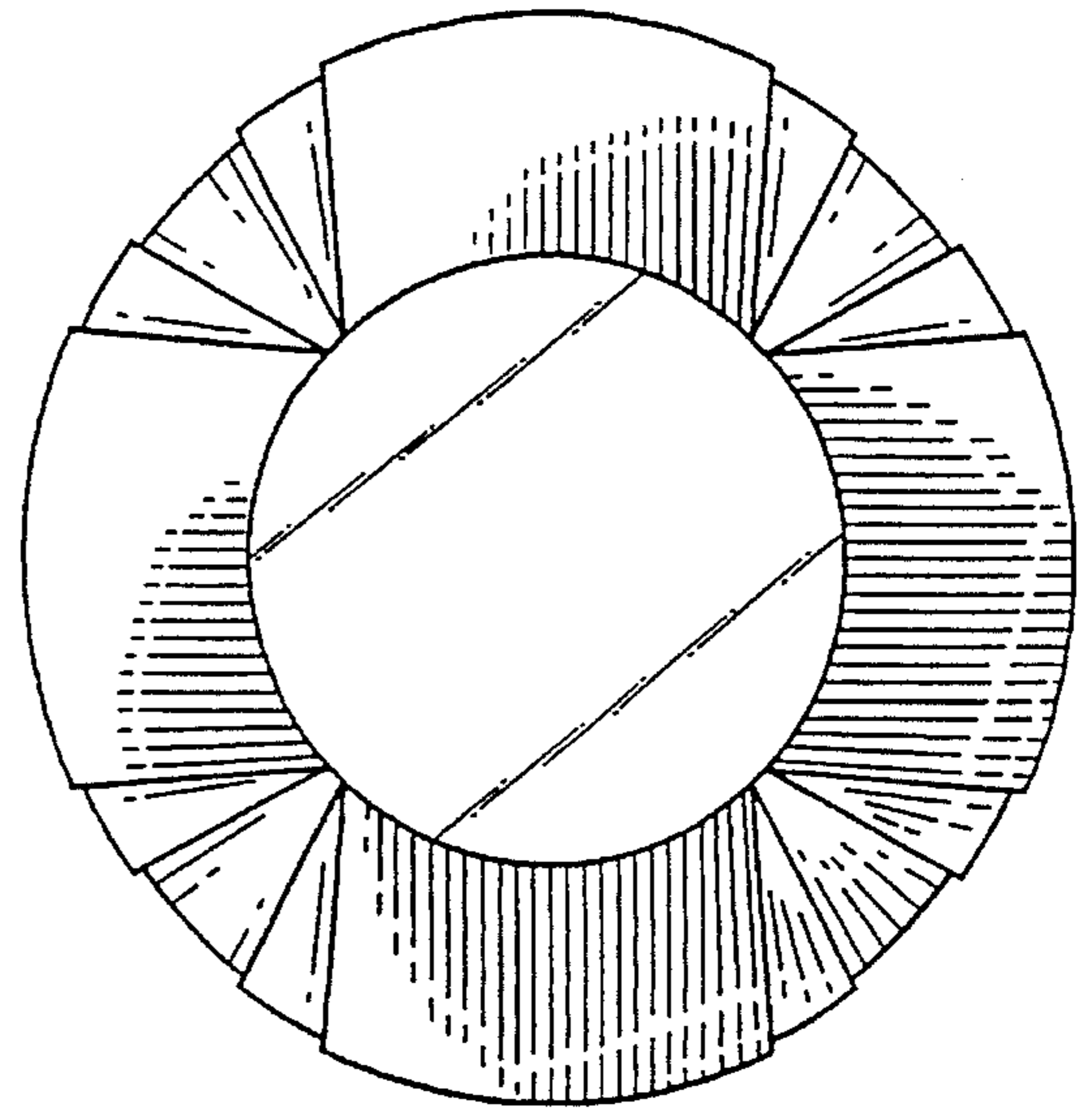


Fig. 11

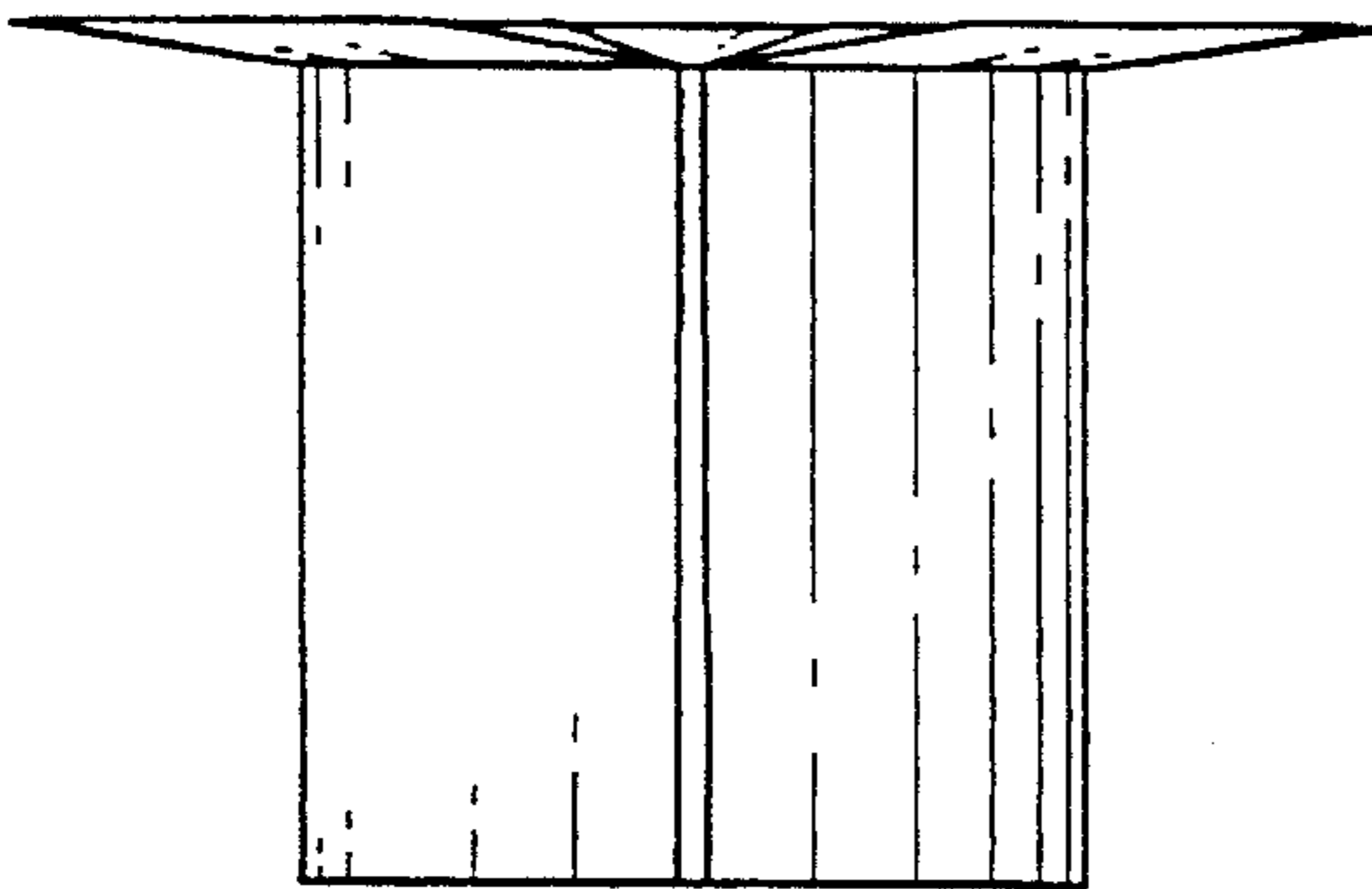


Fig. 12

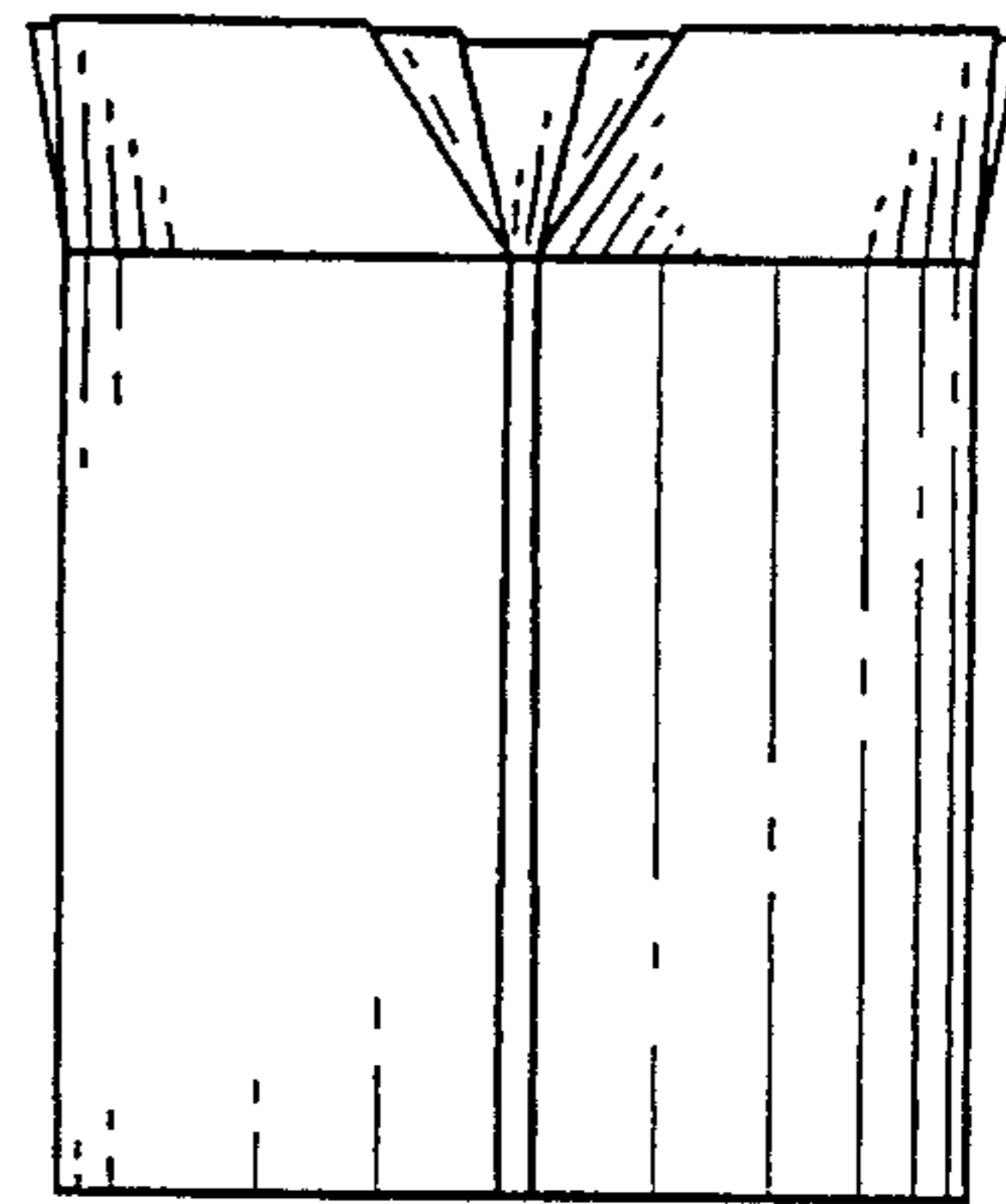


Fig. 13

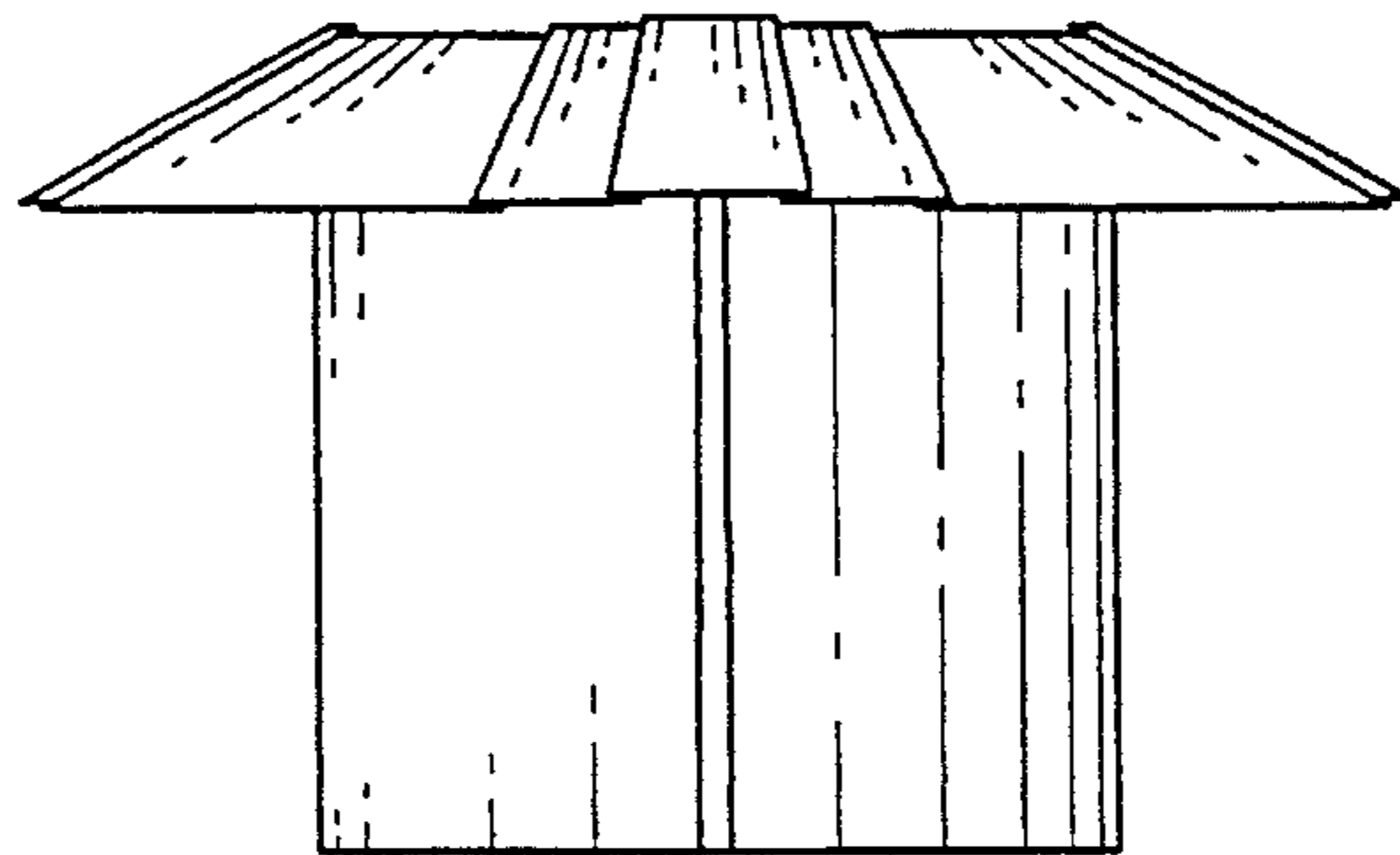


Fig. 14

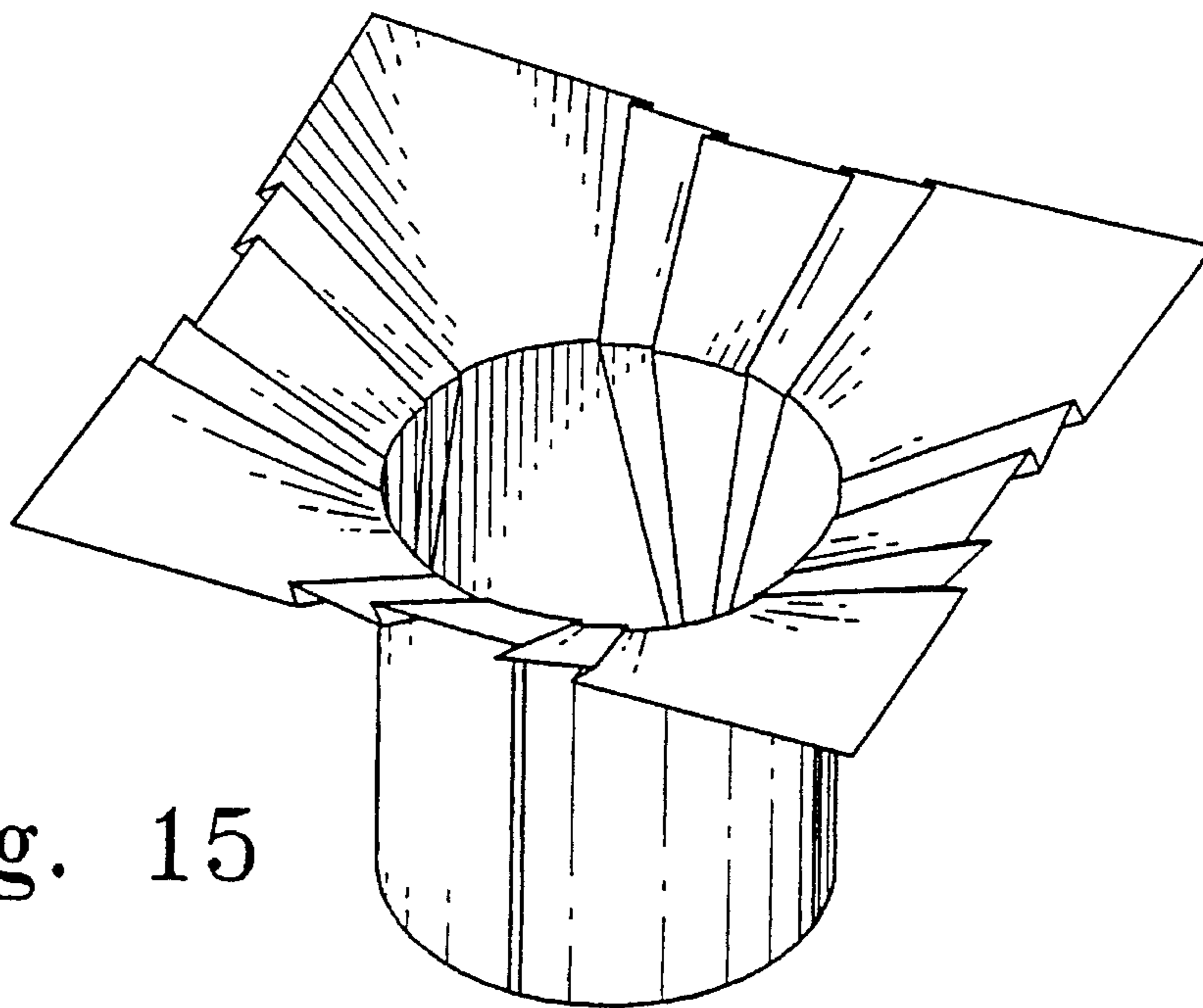


Fig. 15

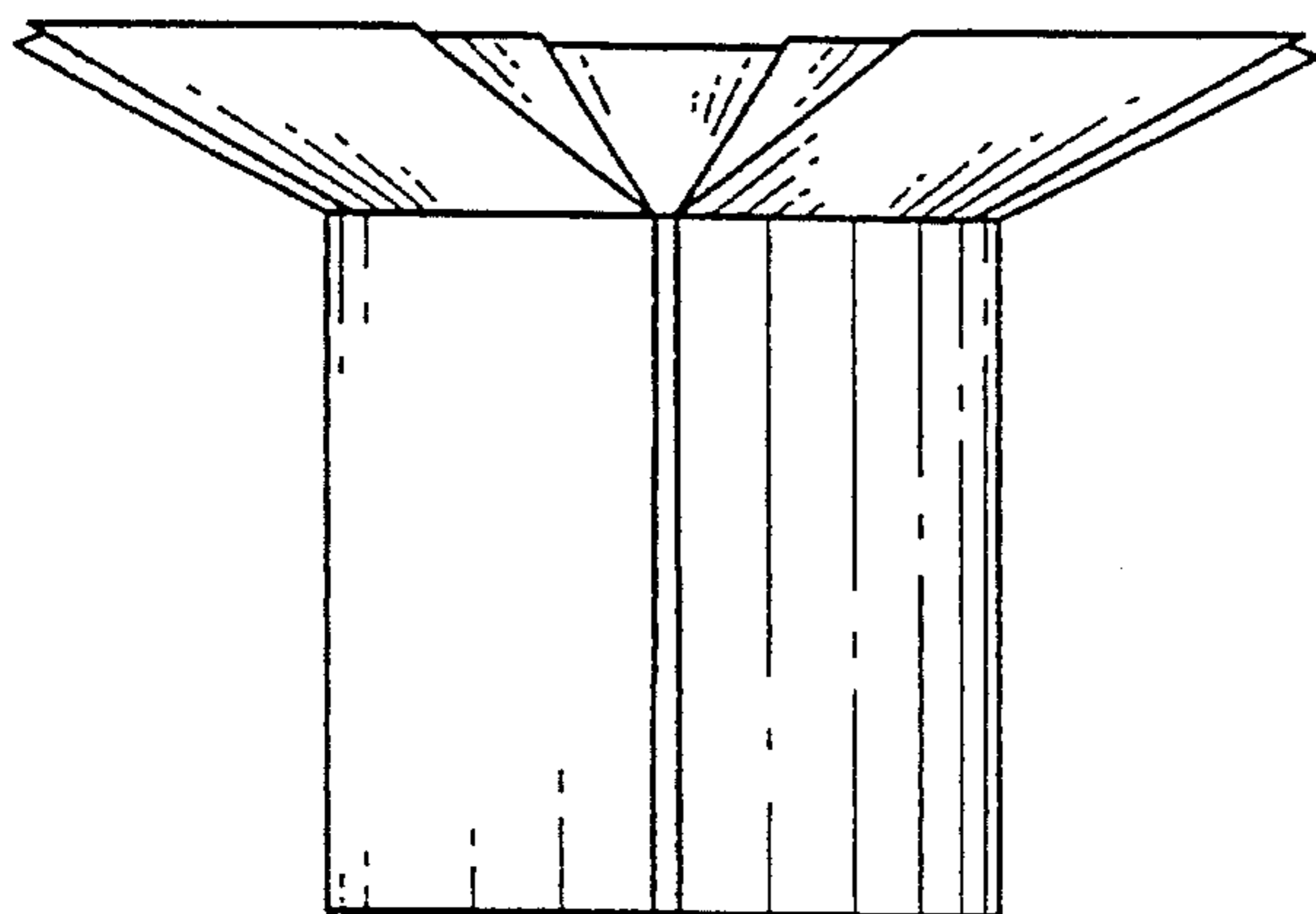


Fig. 16

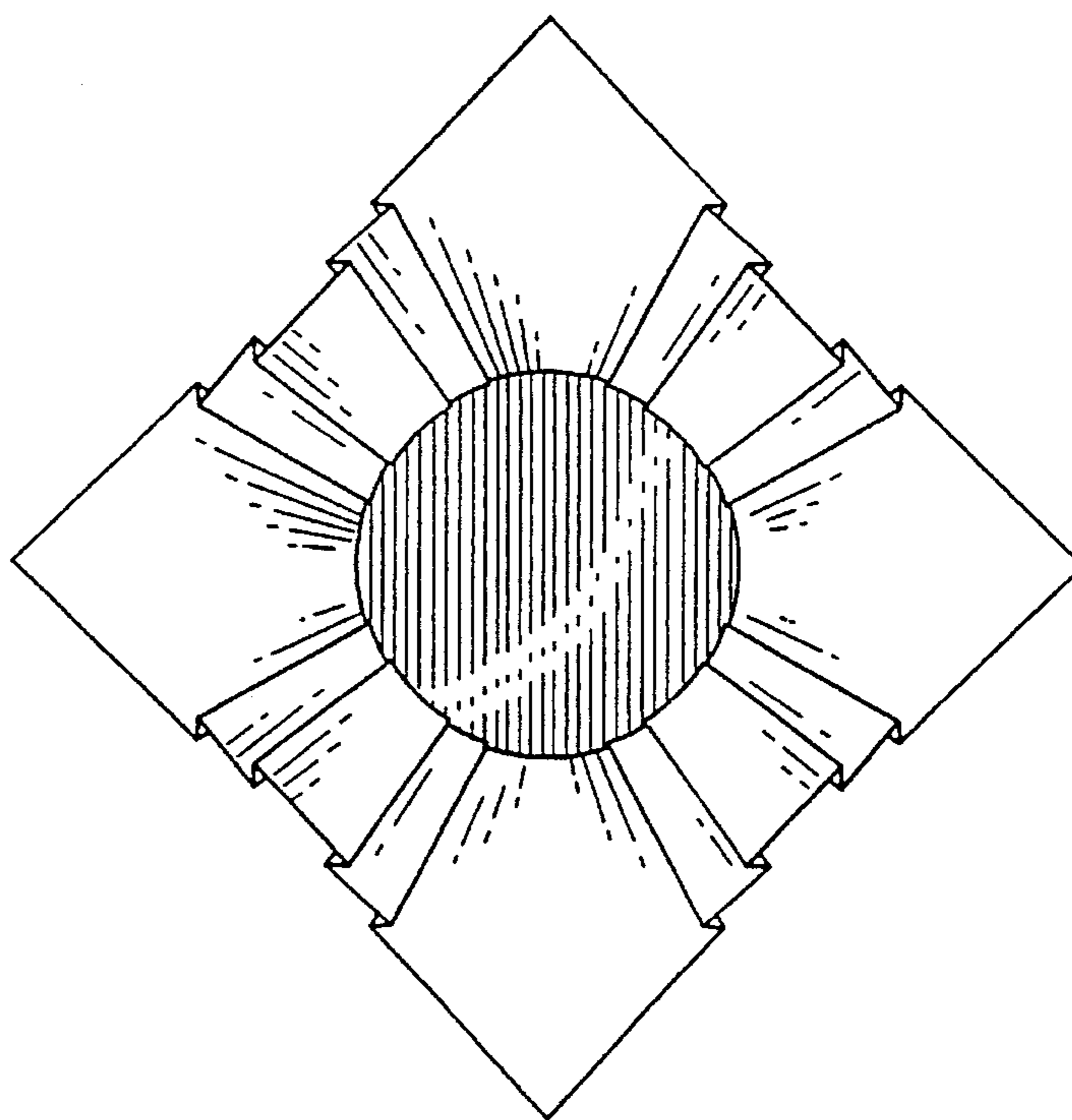


Fig. 17

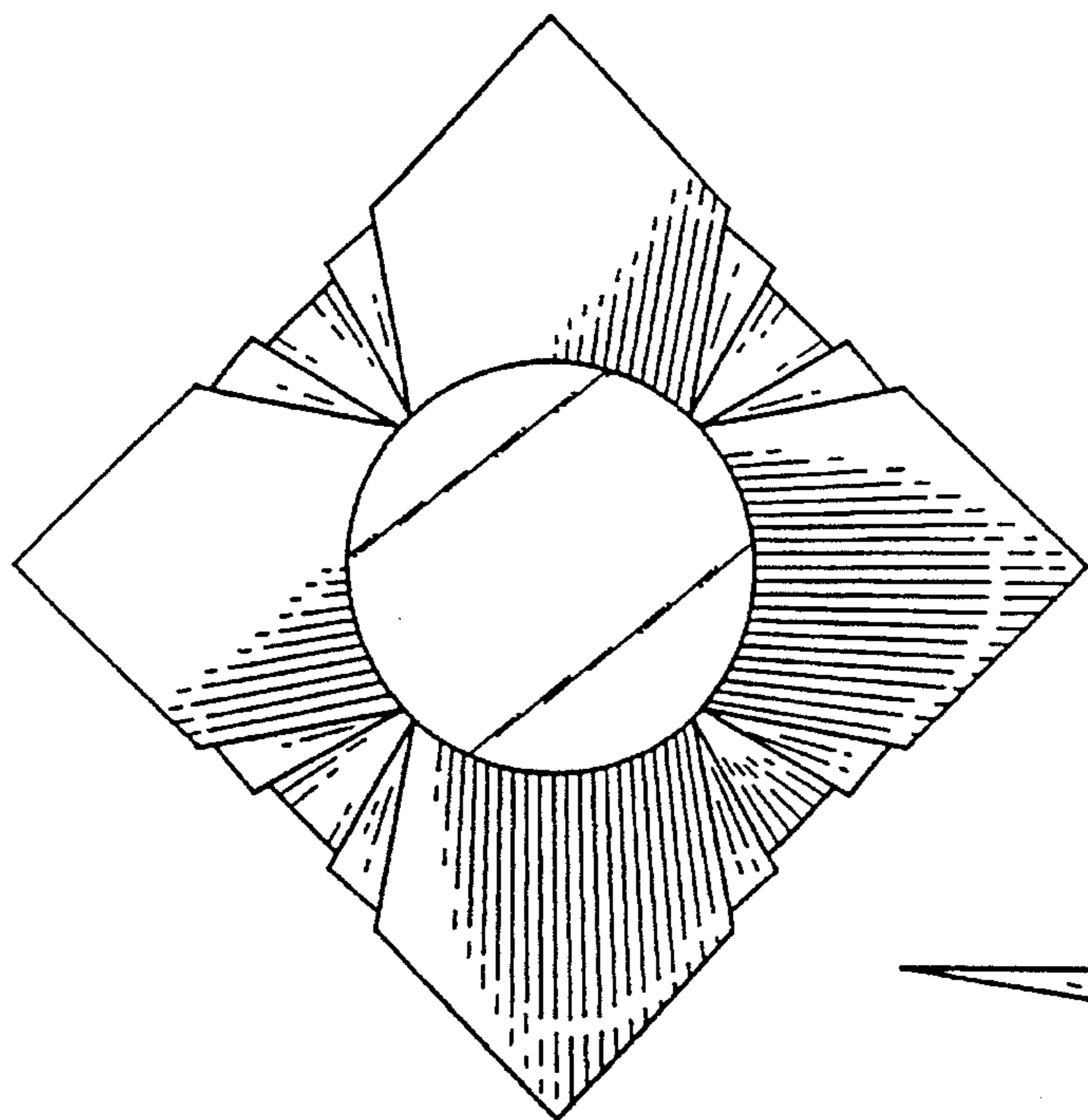


Fig. 18

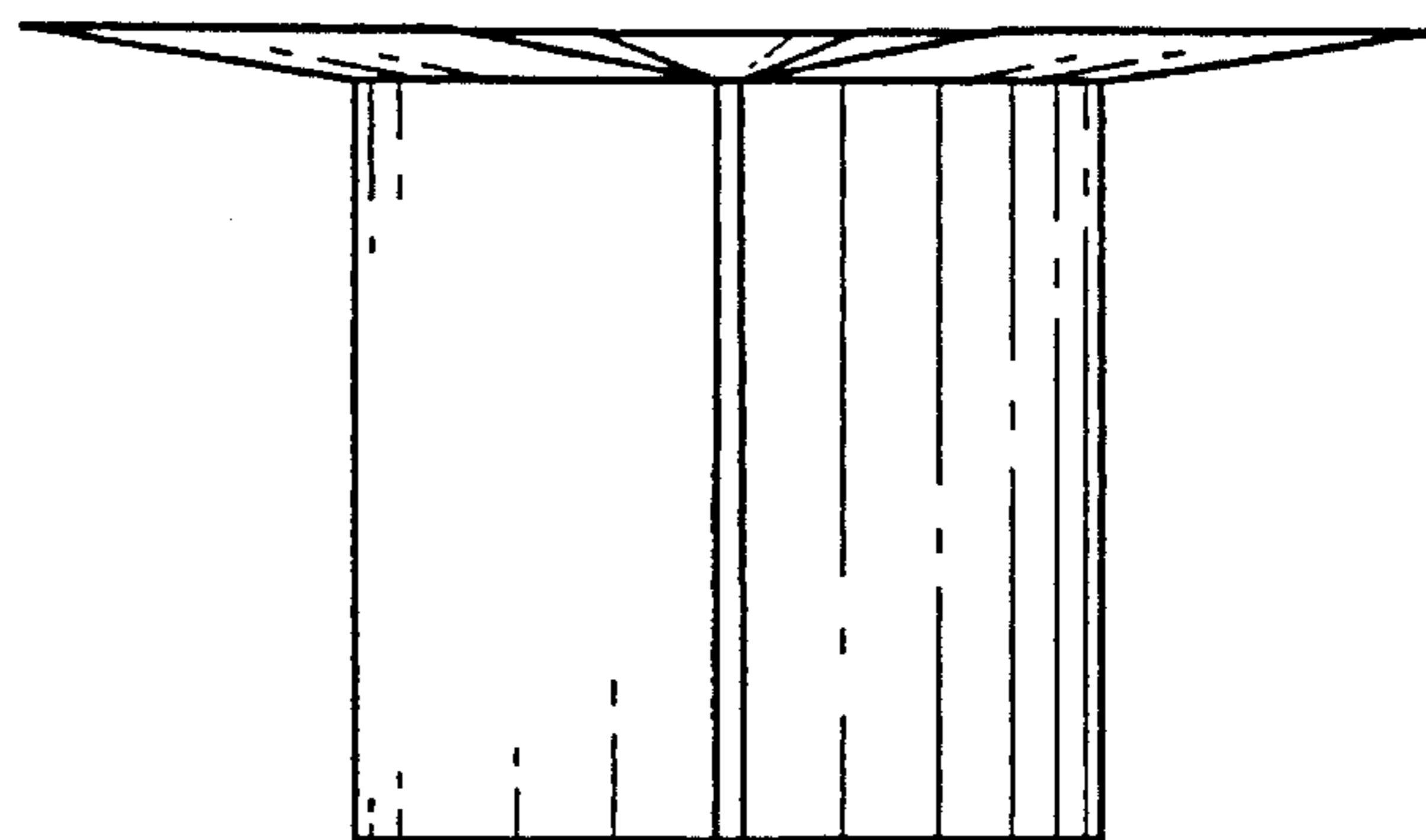


Fig. 19

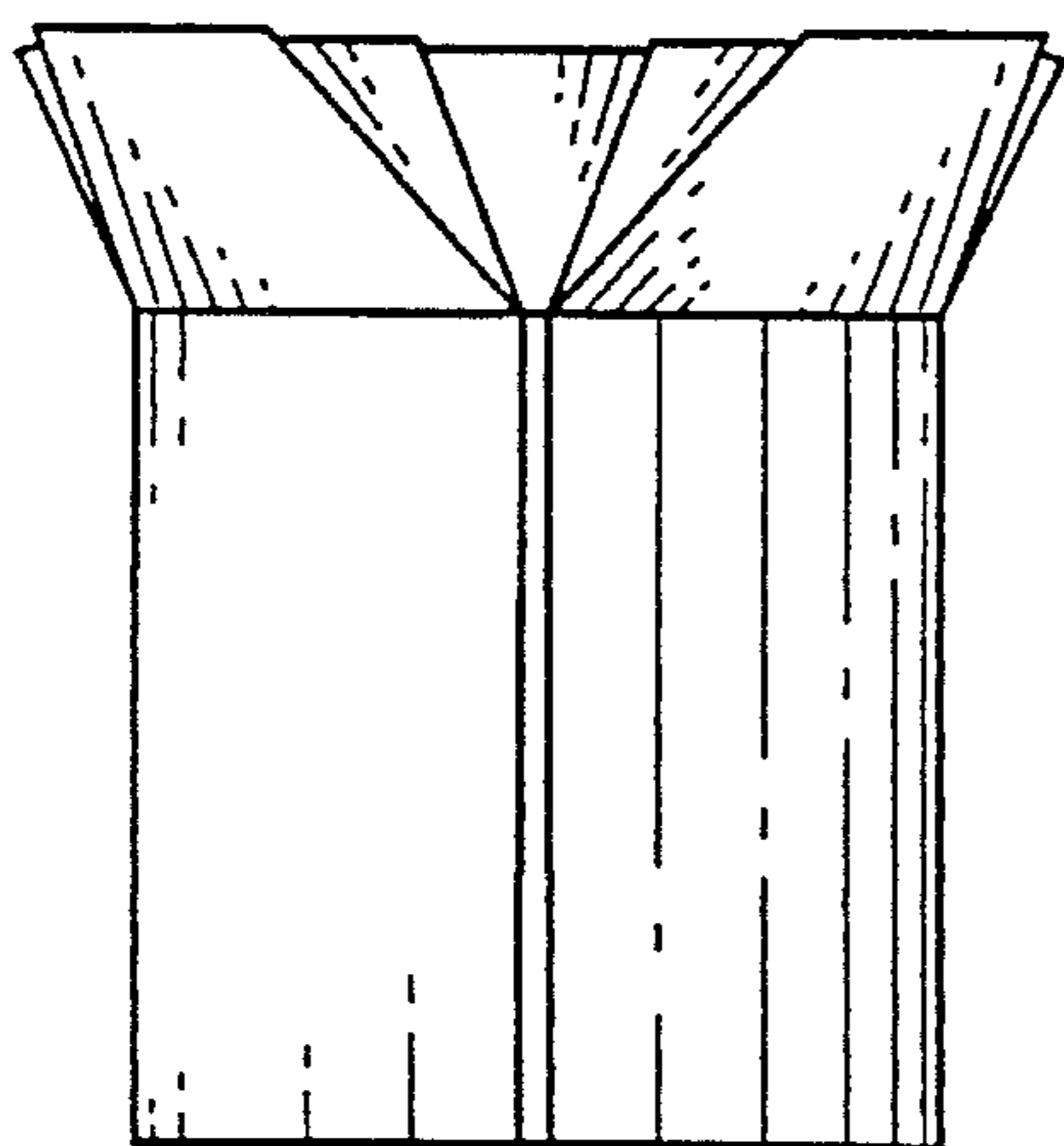


Fig. 20

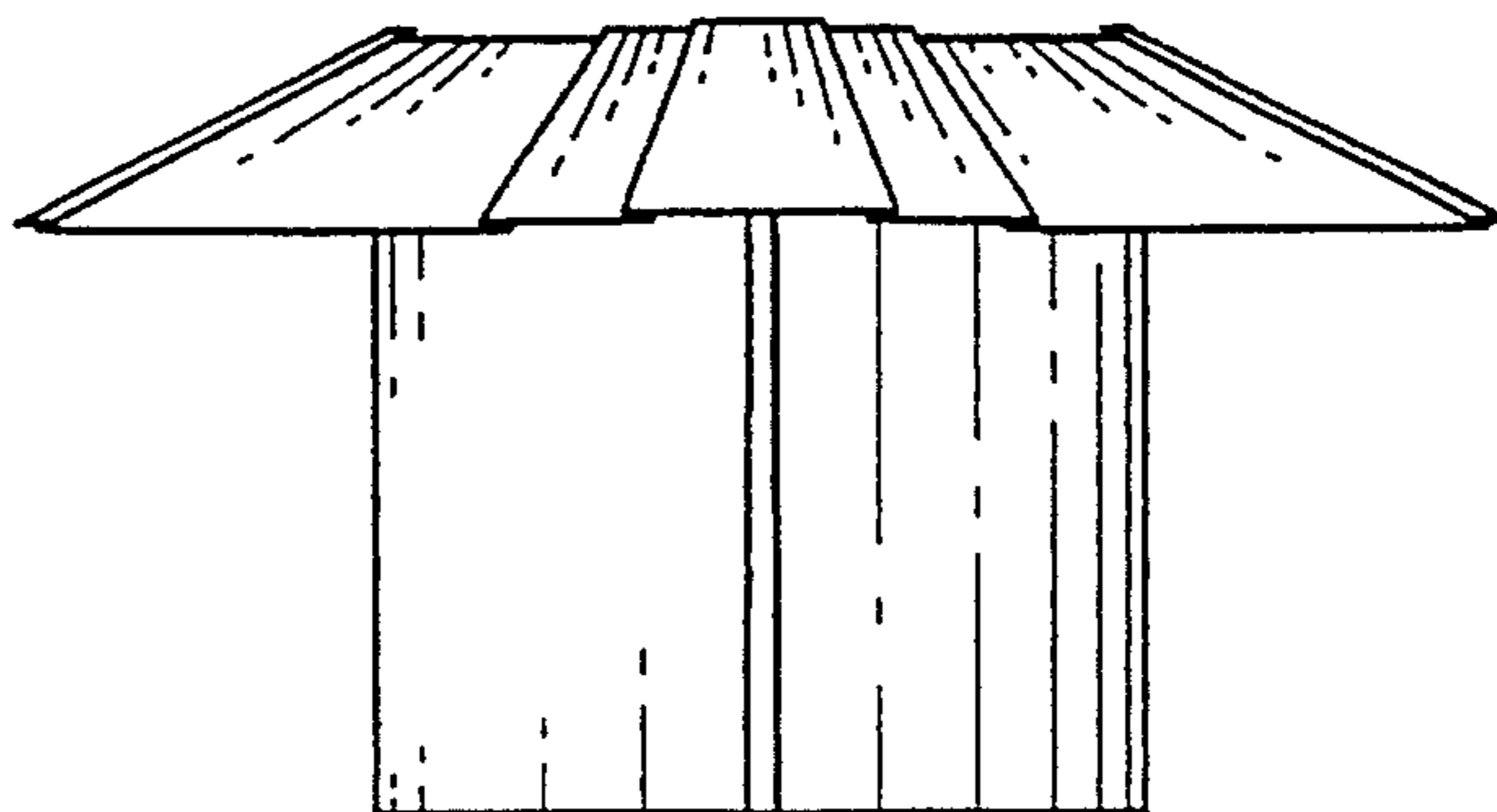


Fig. 21

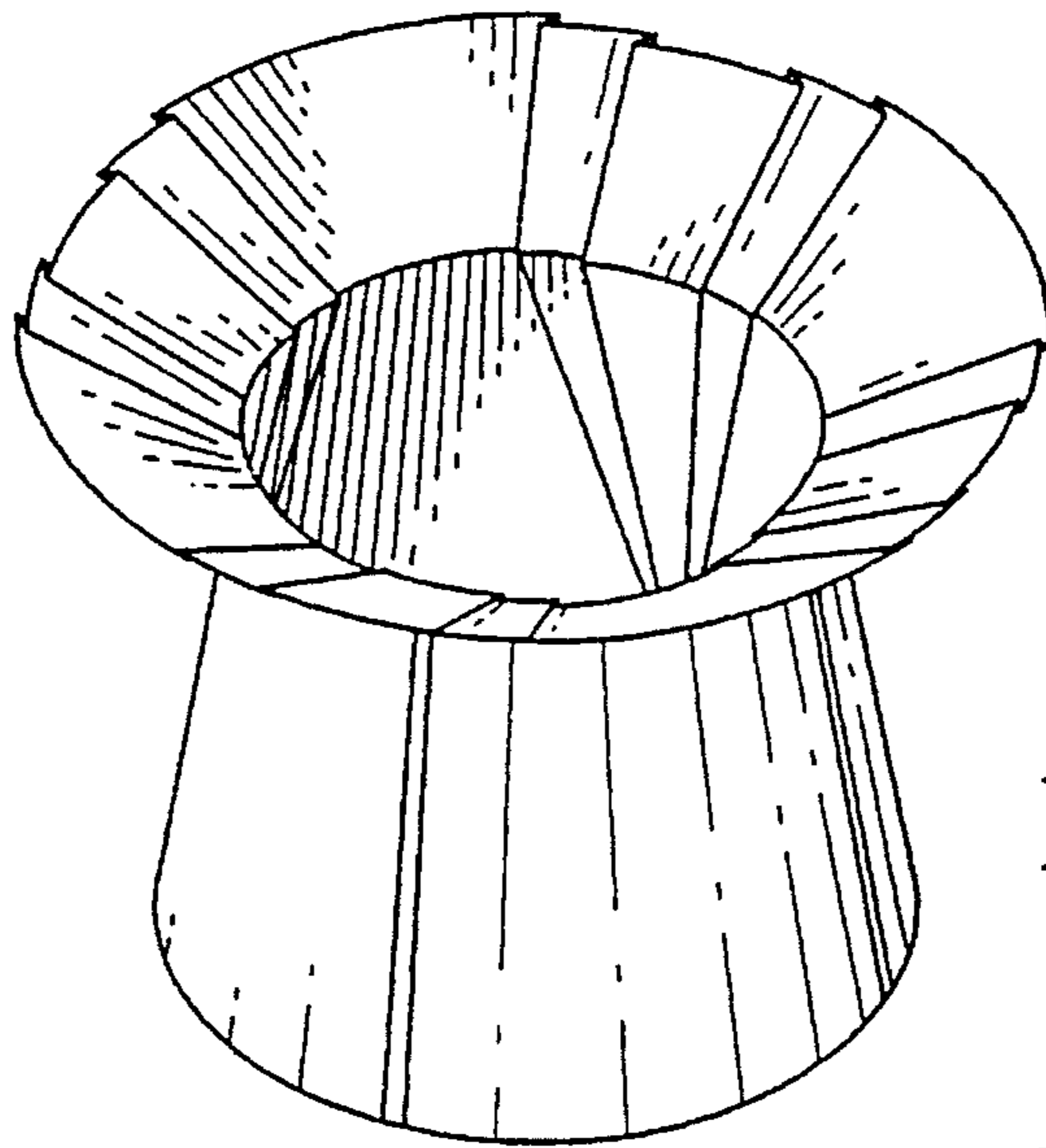


Fig. 22

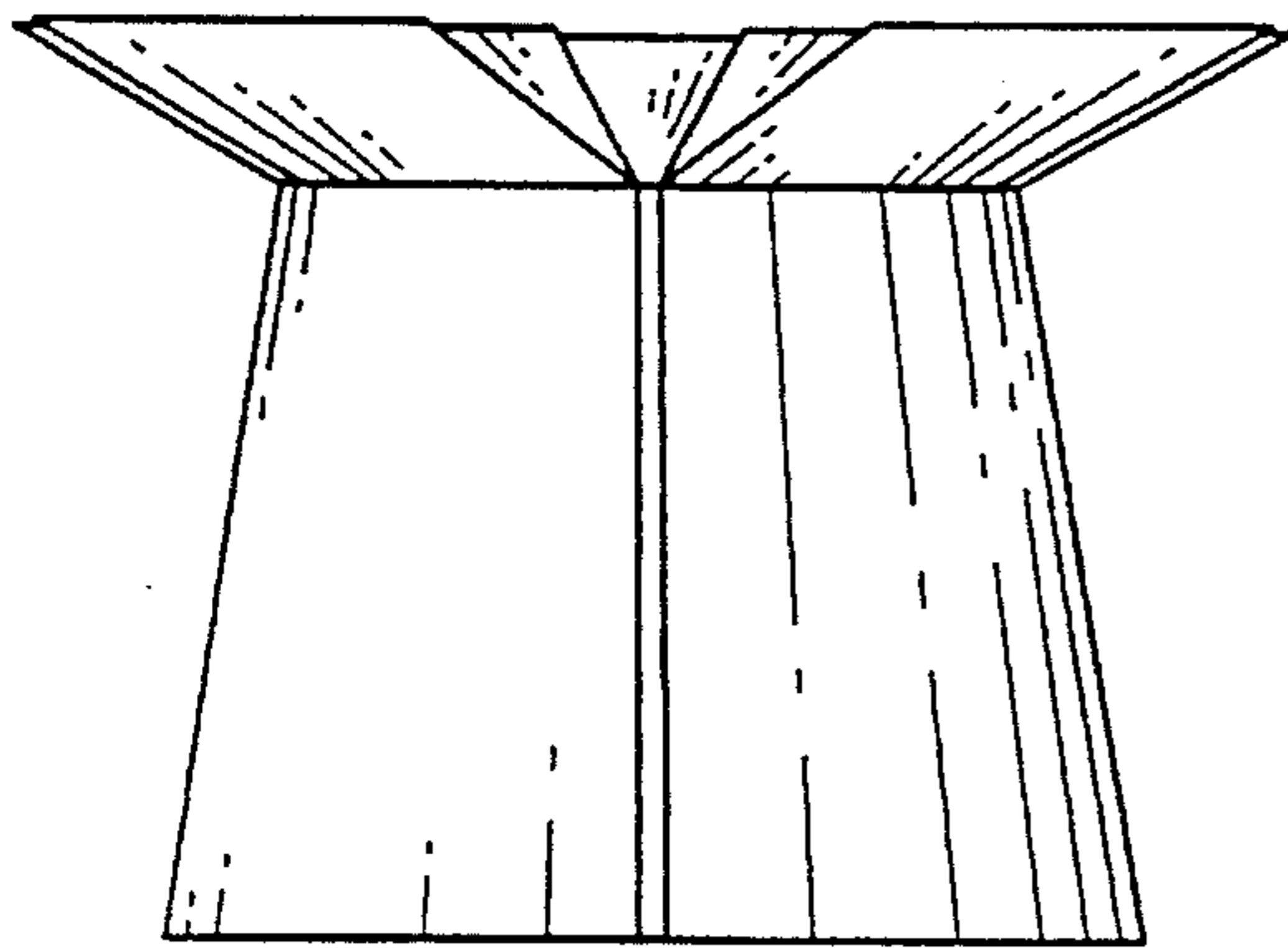


Fig. 23

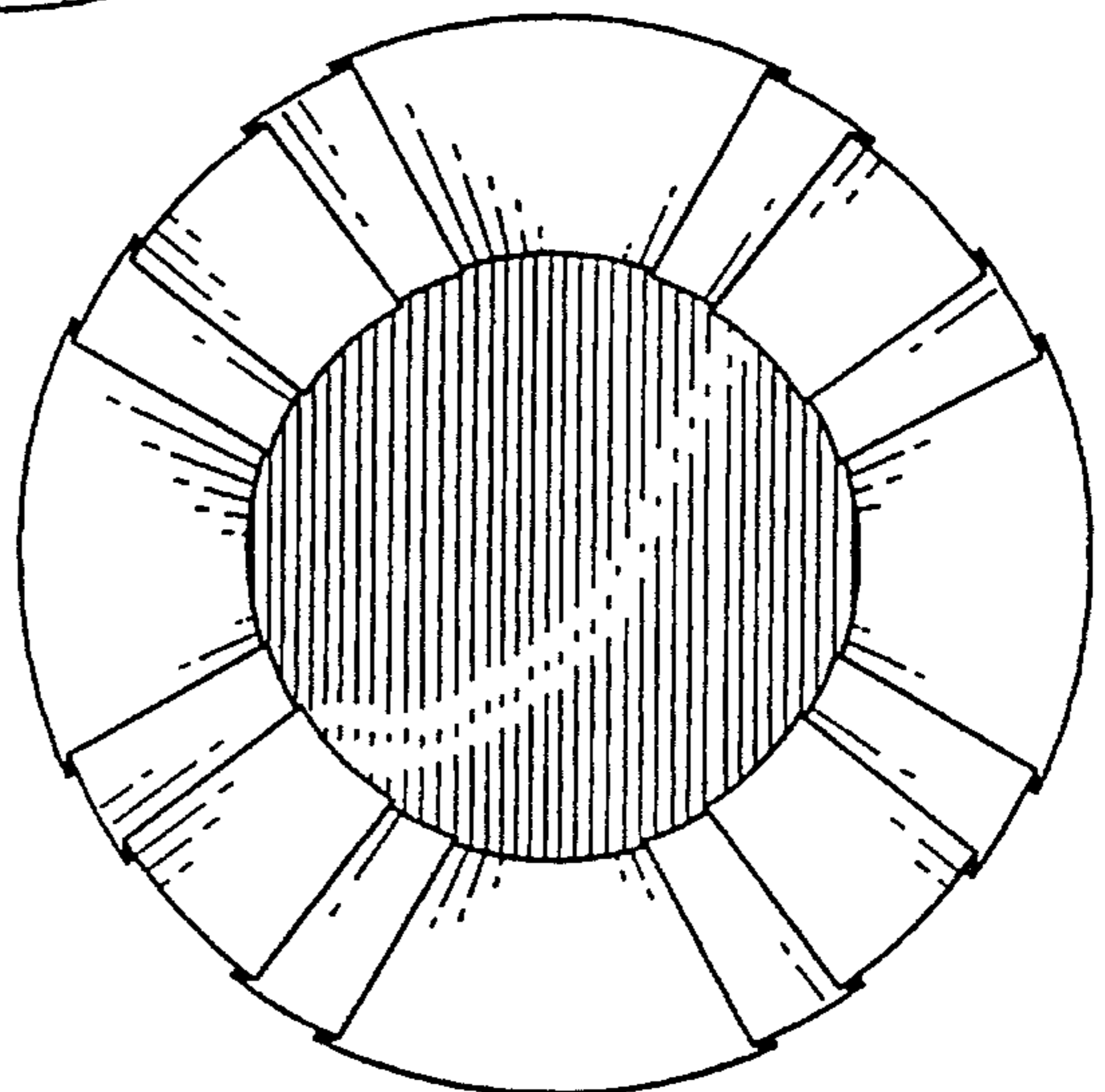


Fig. 24

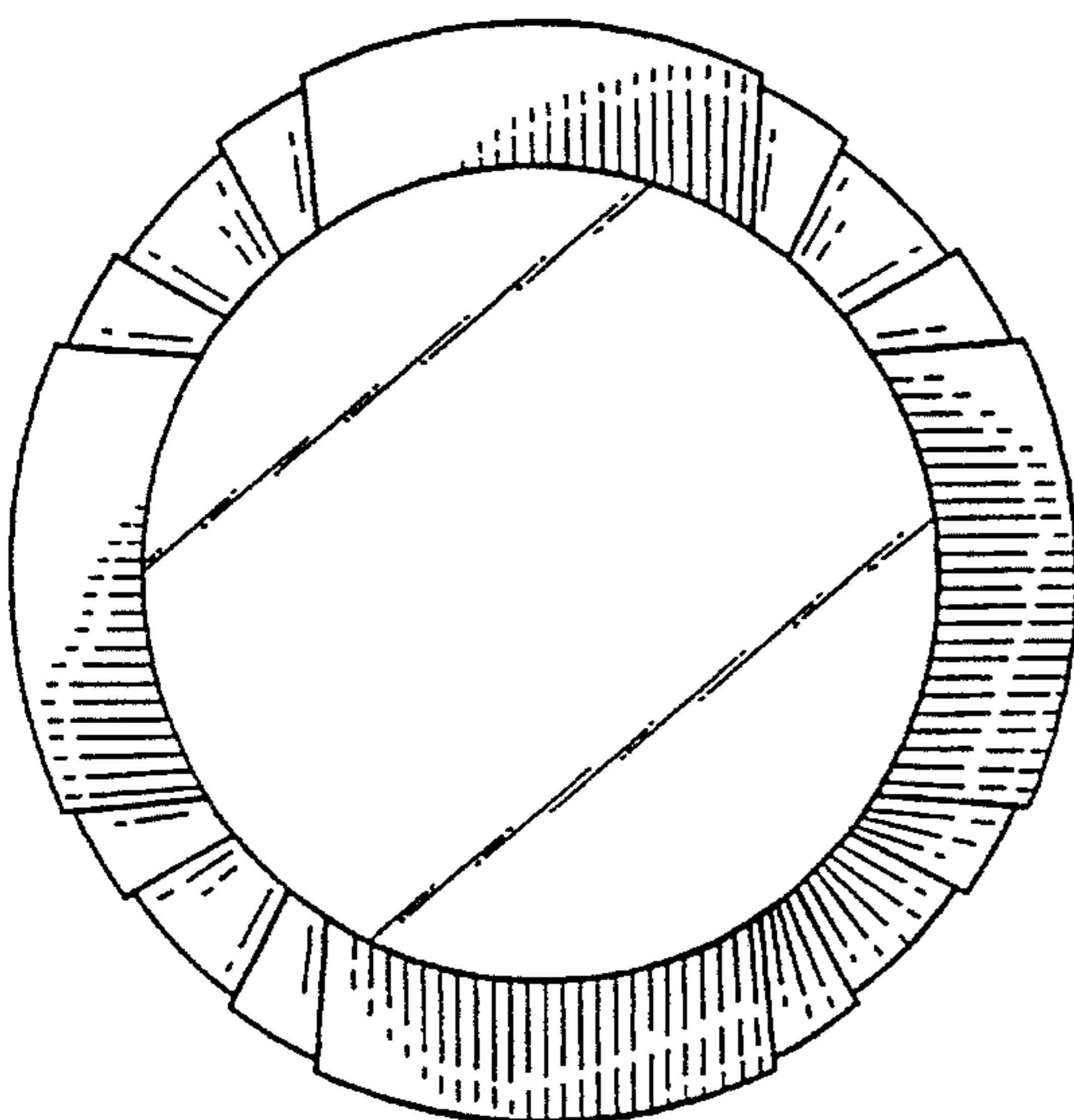


Fig. 25

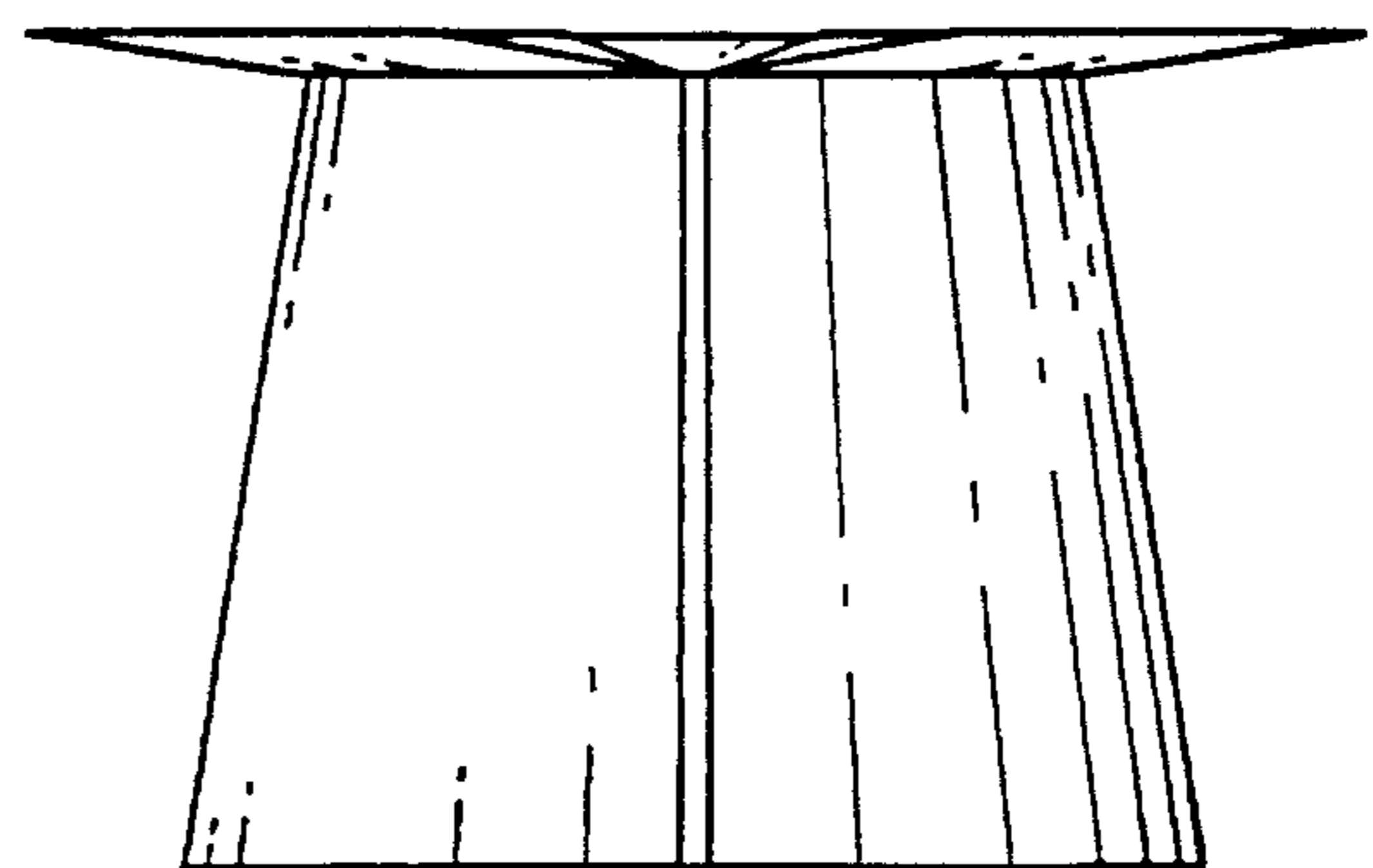


Fig. 26



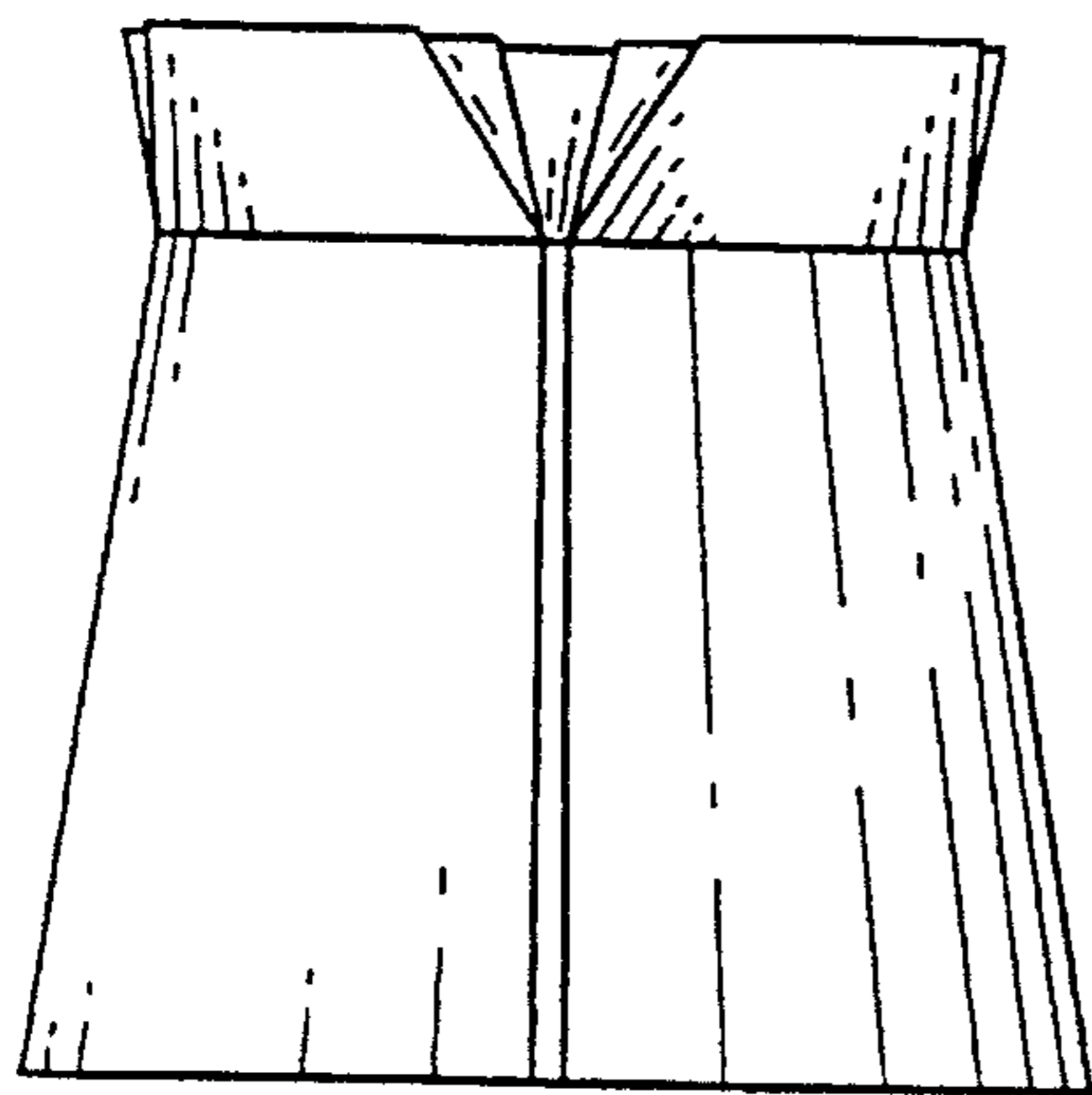


Fig. 27

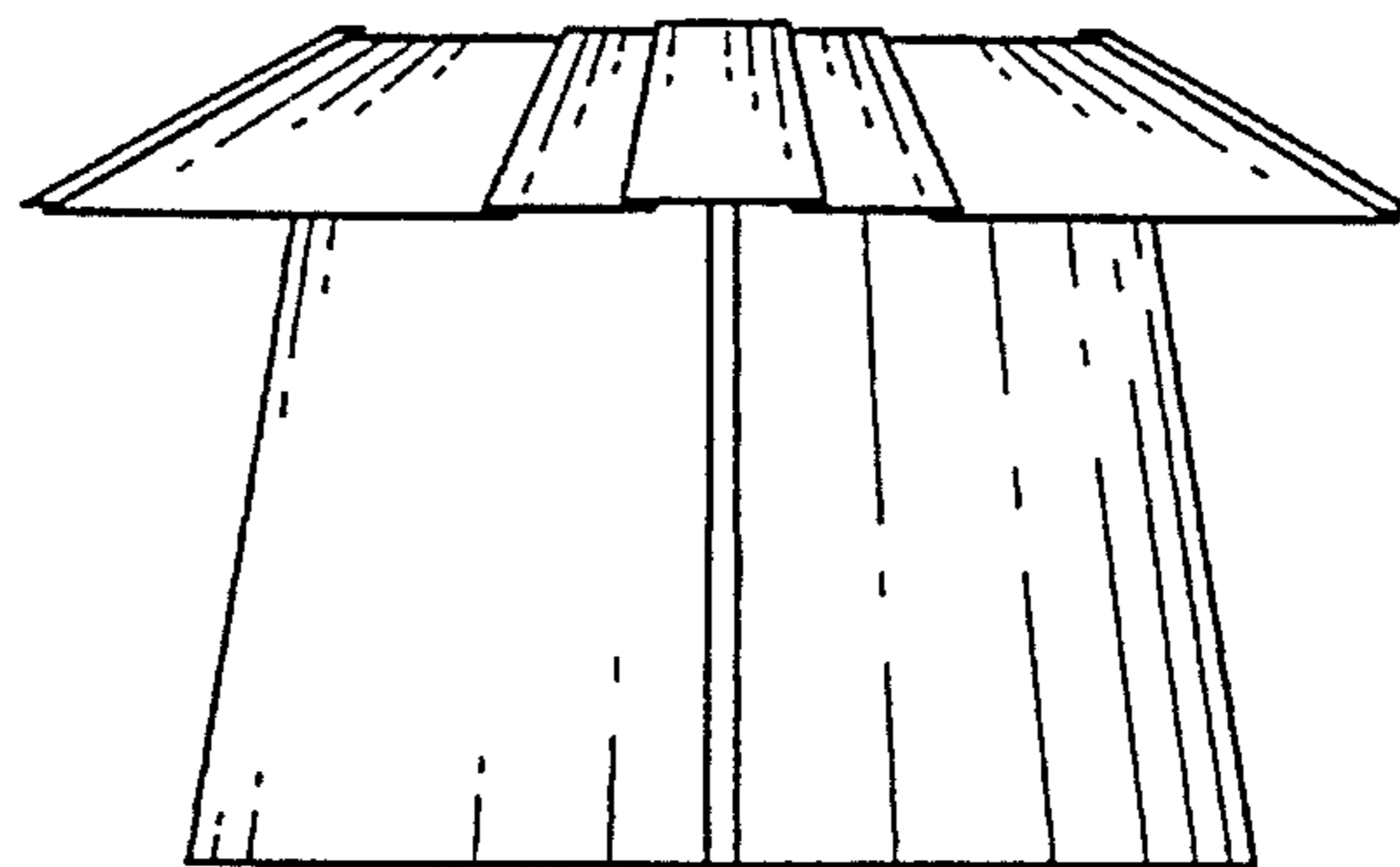


Fig. 28

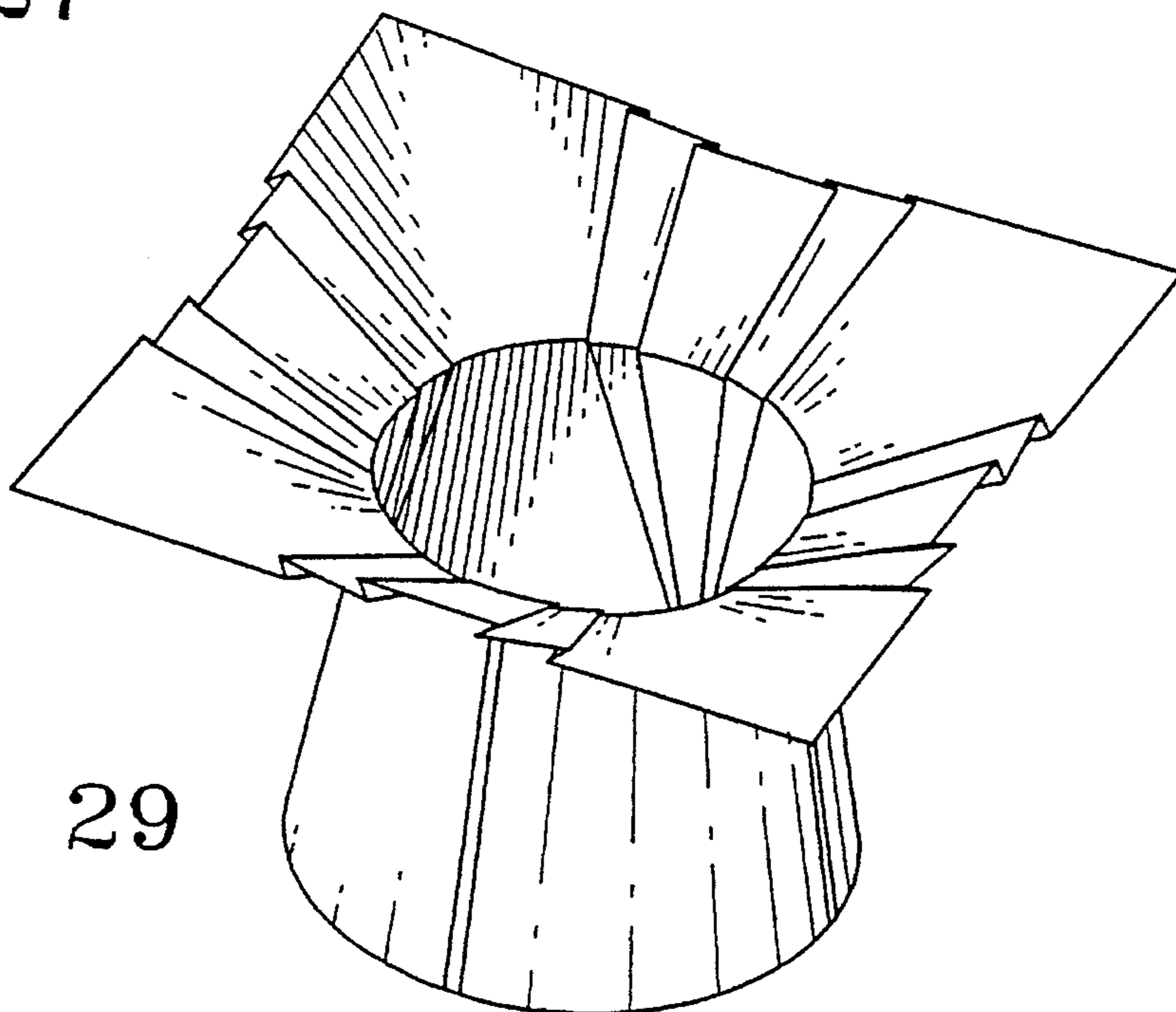


Fig. 29

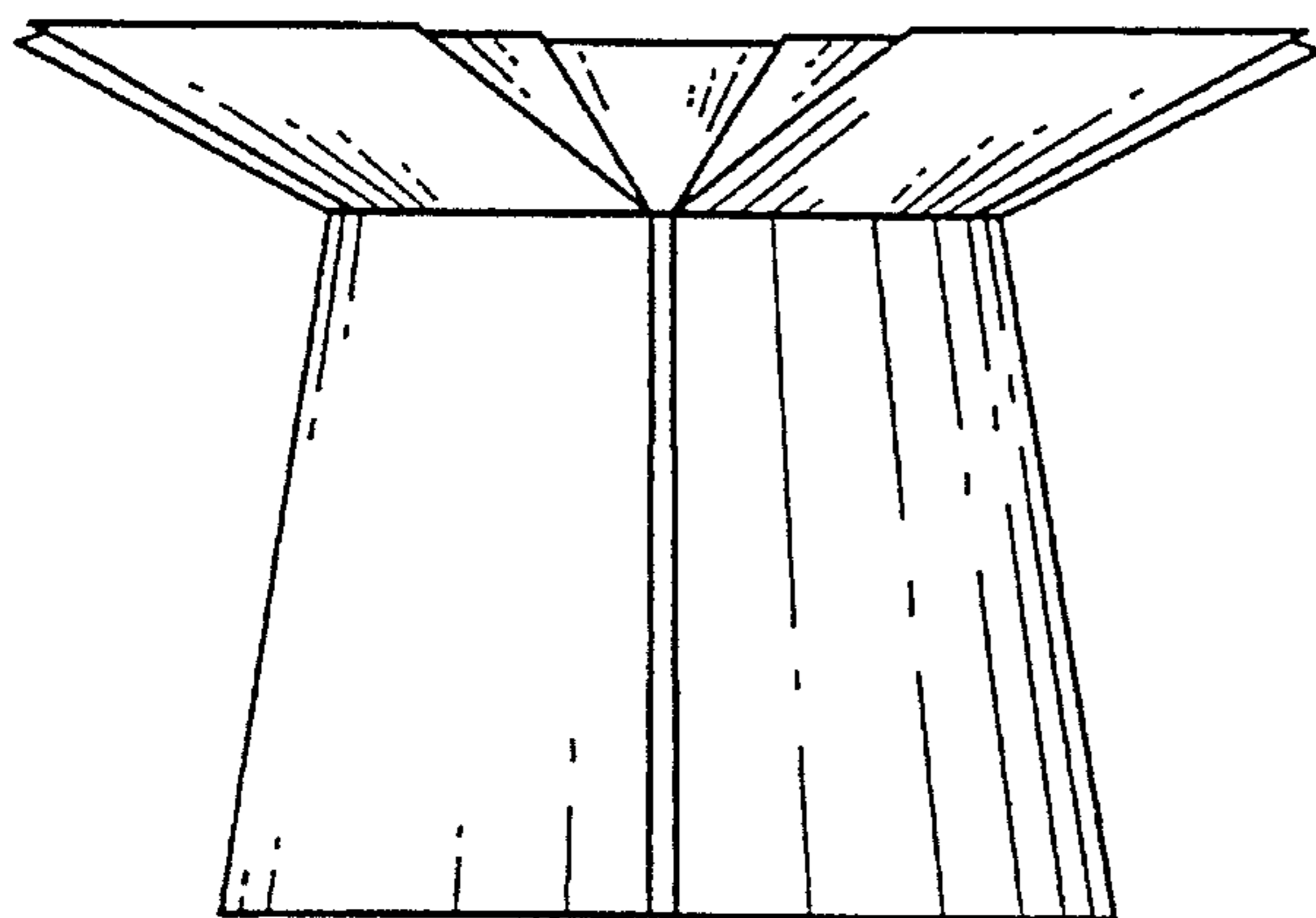


Fig. 30

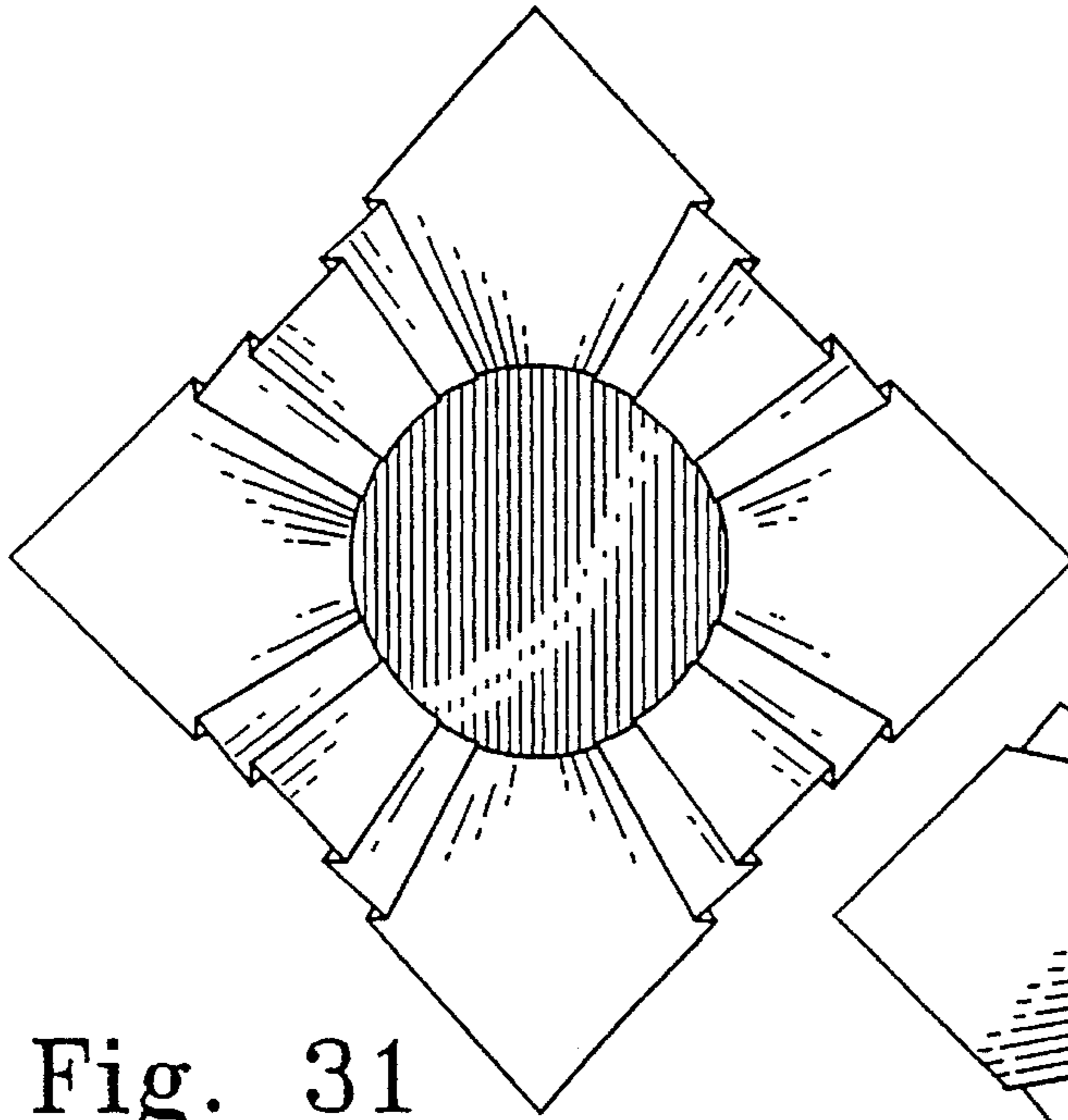


Fig. 31

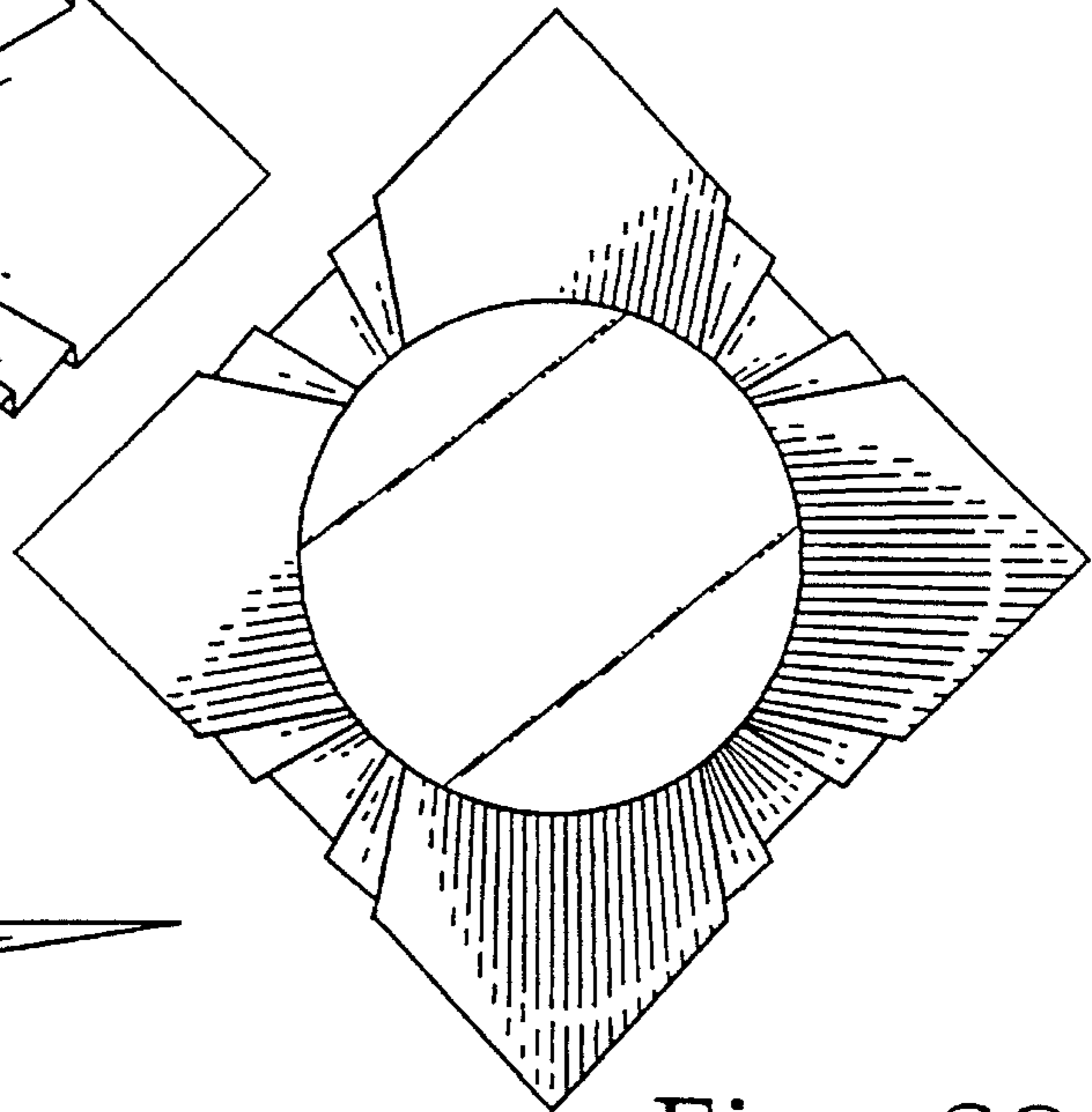


Fig. 32

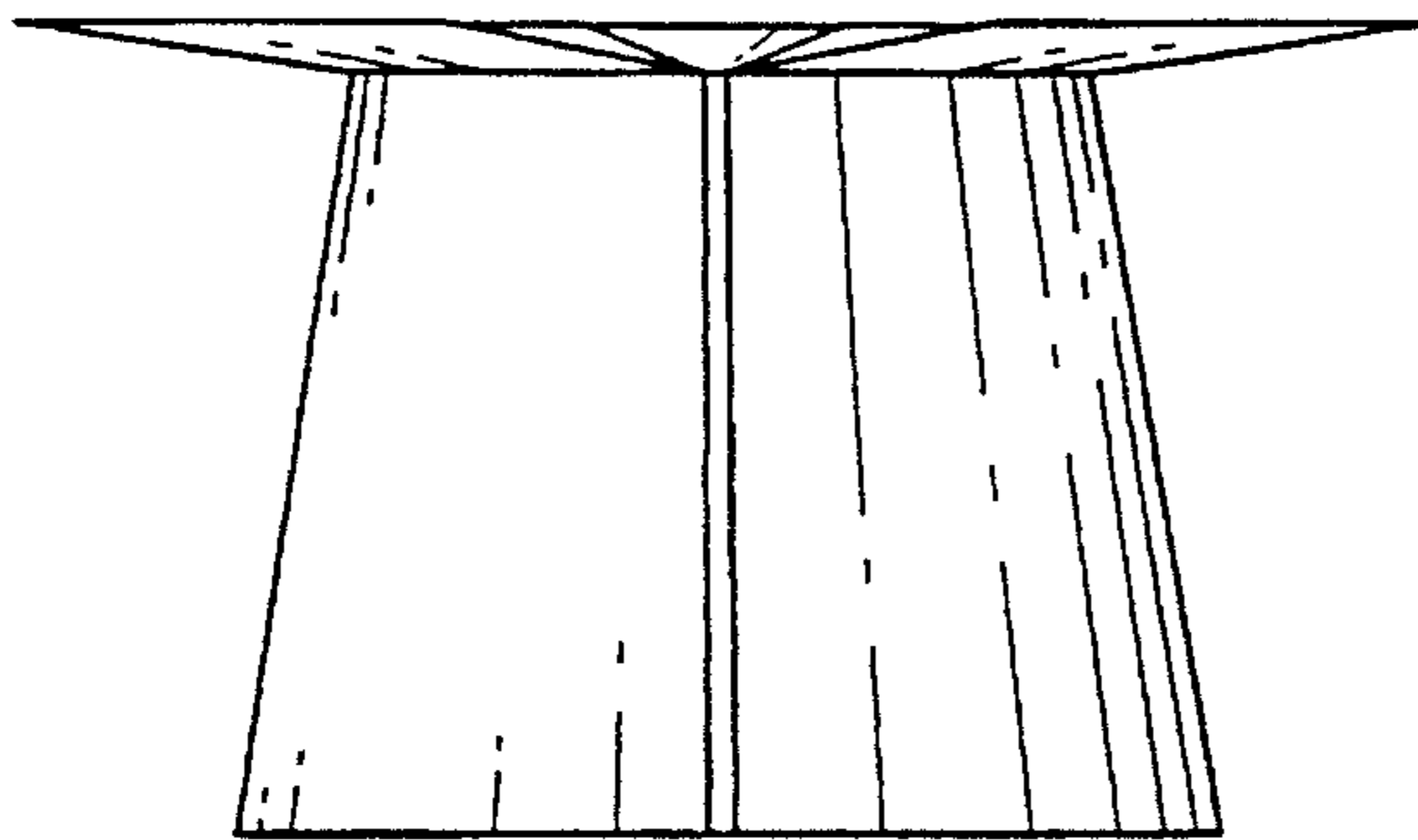


Fig. 33

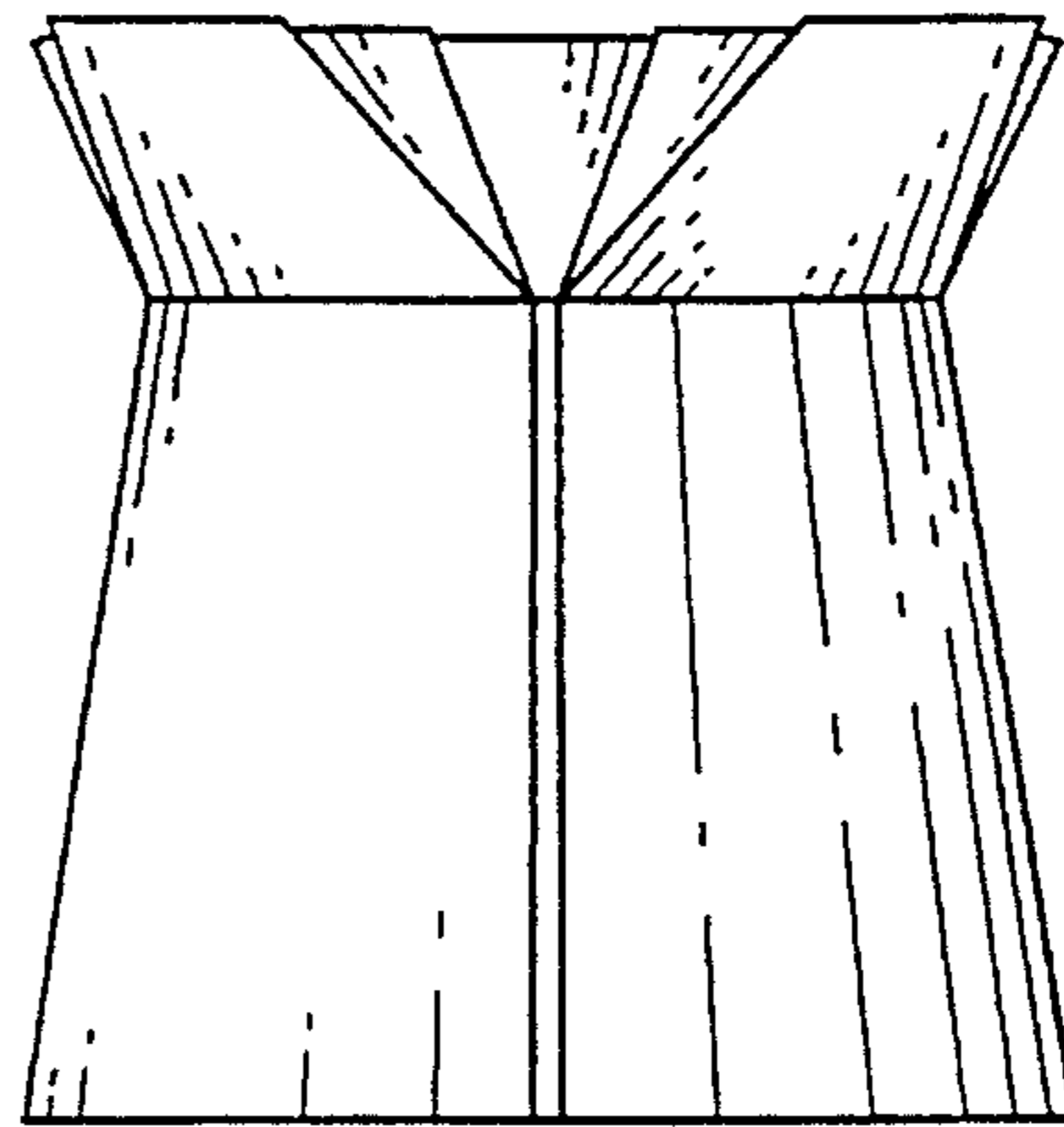


Fig. 34

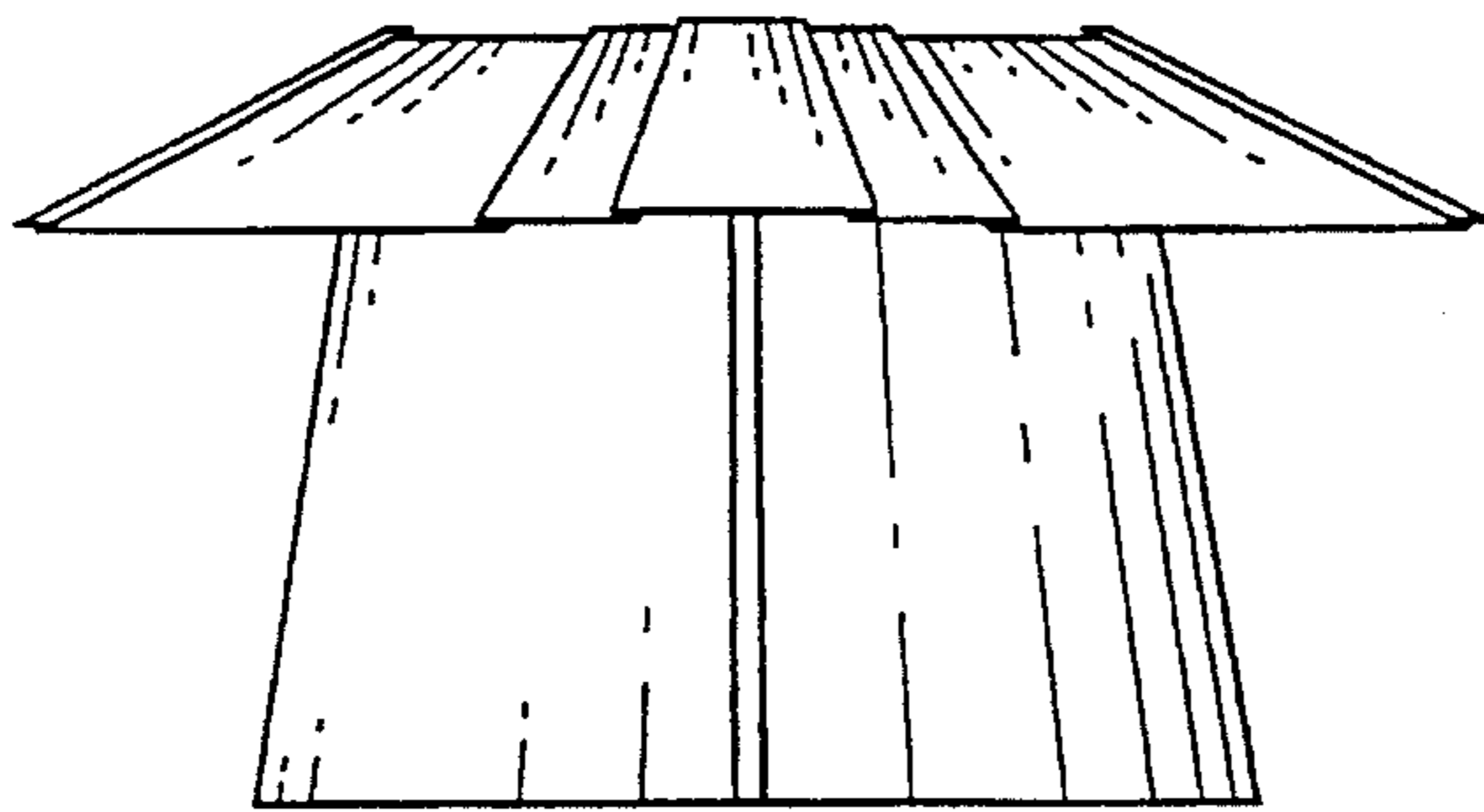


Fig. 35