



US00D370868S

# United States Patent [19] Phelps

[11] Patent Number: **Des. 370,868**  
[45] Date of Patent: **\*\*Jun. 18, 1996**

[54] **DISPLAY BASE FOR SPHERES**  
[76] Inventor: **Gary M. Phelps**, 604 134th St. E.,  
Burnsville, Minn. 55337  
[\*\*] Term: **14 Years**  
[21] Appl. No.: **35,420**  
[22] Filed: **Feb. 27, 1995**  
[52] U.S. Cl. .... **D11/131; D11/164**  
[58] **Field of Search** ..... D11/131, 157,  
D11/164; D6/532, 536; D21/208, 209; 273/33;  
428/913.3; 206/77.1

1,636,655 7/1927 Young .  
1,645,001 10/1927 Hodges ..... D21/208  
3,231,993 2/1966 Levy .  
4,807,377 2/1989 Stuckel .  
5,082,110 1/1992 Hager .

*Primary Examiner*—Dominic Simone  
*Attorney, Agent, or Firm*—Robert C. Baker; Jeffrey A. Proehl

### [57] CLAIM

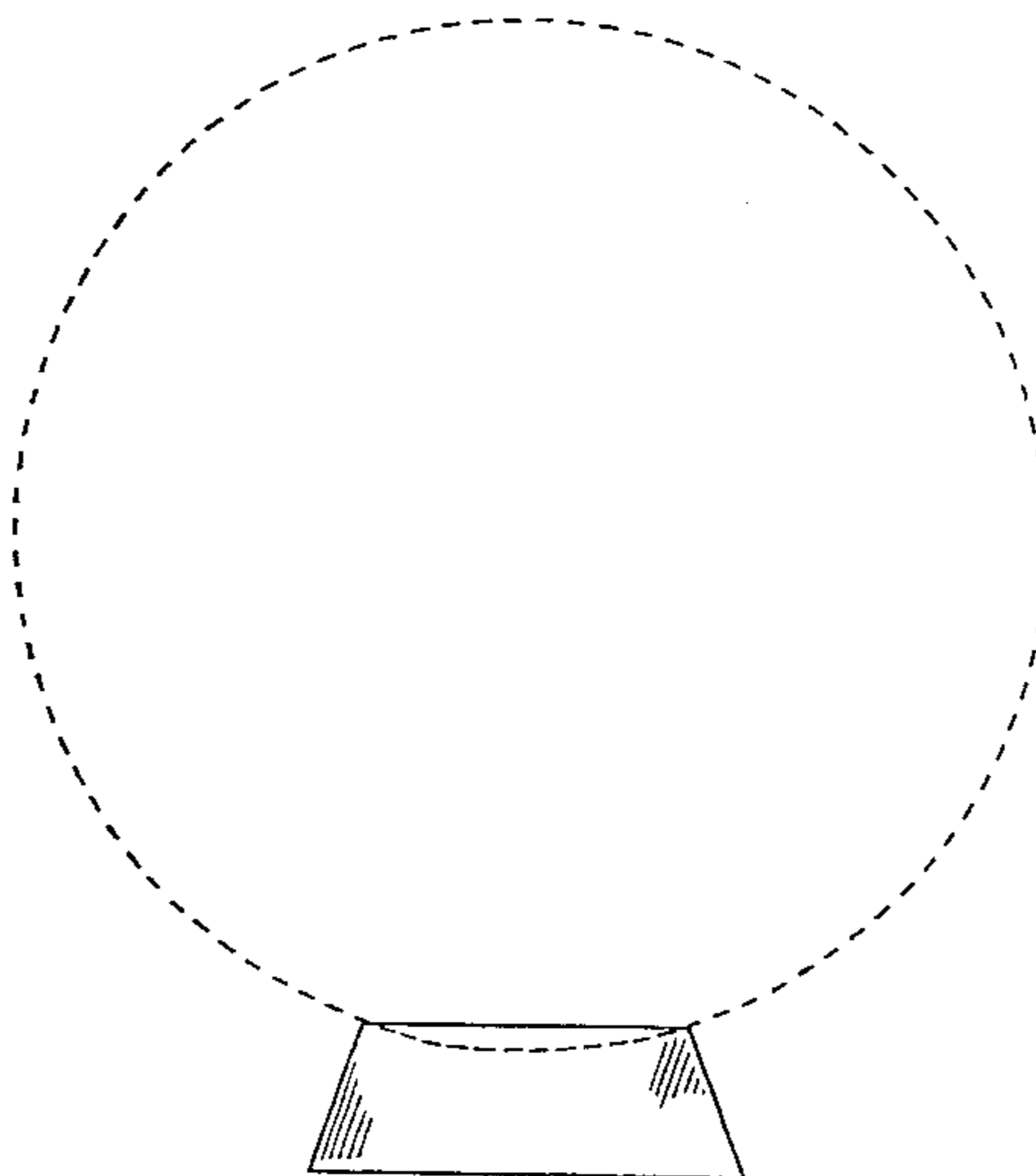
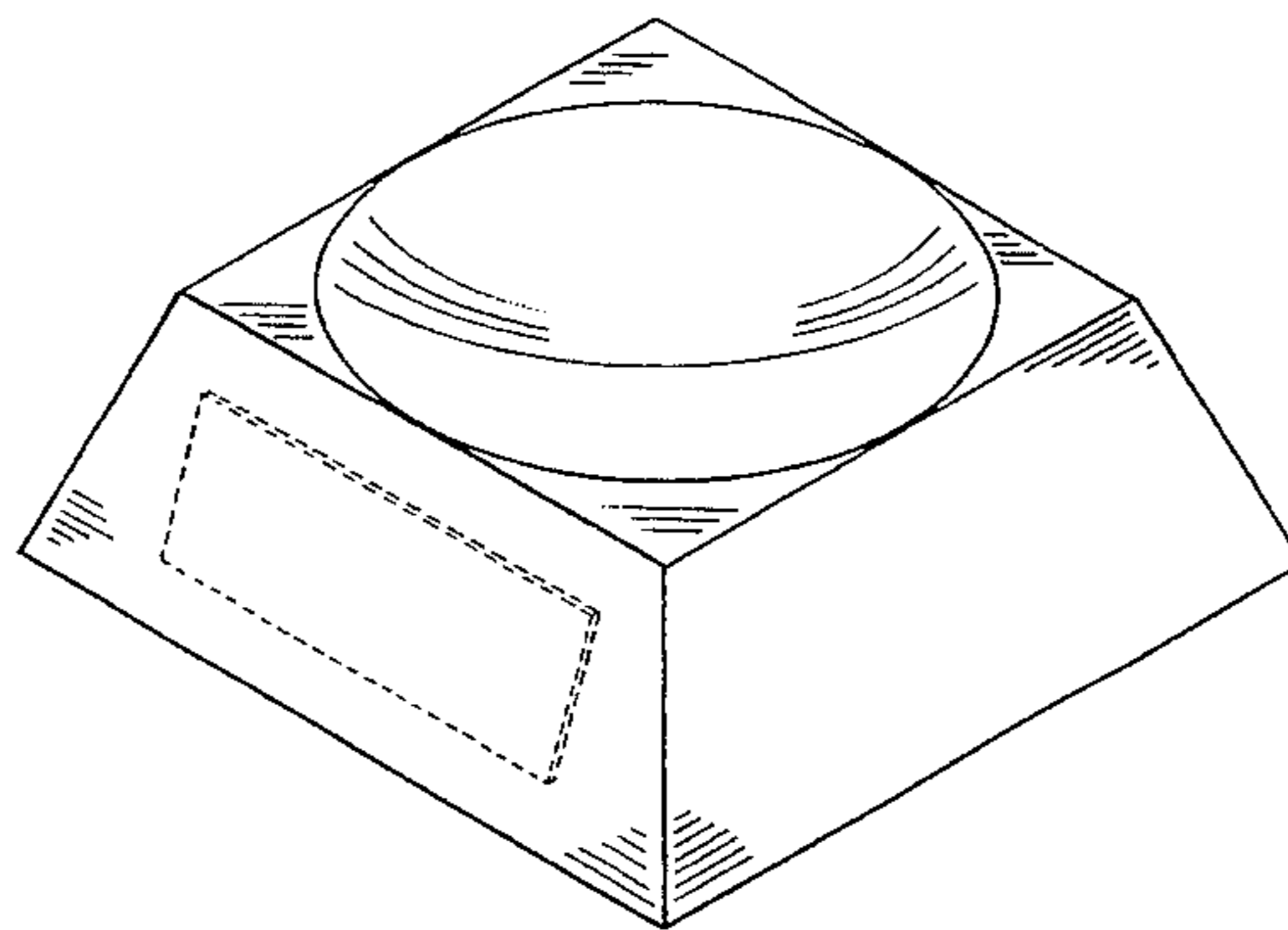
The ornamental design for a display base for spheres, as shown and described.

### DESCRIPTION

FIG. 1 is a perspective view of a display base for spheres showing my new design, the broken line showing of the plaque for illustrative purposes only; FIG. 2 is a top plan view thereof; FIG. 3 is a side elevational view thereof, all sides being identical; FIG. 4 is a cross-sectional view thereof, taken in the direction of the arrows along line 4—4 of FIG. 2; and, FIG. 5 is a reduced side elevational view thereof, the basketball shown in broken lines for illustrative purposes only. My design has a resemblance to a stubby truncated pyramid having a square base and having a large shallow concave depression in its upper planar surface.

[56] **References Cited**  
U.S. PATENT DOCUMENTS  
D. 76,703 10/1928 Post ..... D20/37  
D. 130,805 12/1941 Roberts .  
D. 150,744 8/1948 Williams .  
D. 158,699 5/1950 Wasilevich .  
D. 217,725 6/1970 Glantz et al. .  
D. 258,125 2/1981 Bailey .  
D. 275,468 9/1984 Grant .  
D. 290,447 6/1987 Evans .  
D. 302,832 8/1989 King ..... D6/536 X  
D. 302,987 8/1989 King ..... D6/536 X  
D. 306,039 2/1990 King ..... D6/536 X  
D. 339,392 9/1993 Sims .  
D. 351,304 10/1994 Glass ..... D6/536  
D. 352,966 11/1994 Vana et al. .

**1 Claim, 2 Drawing Sheets**



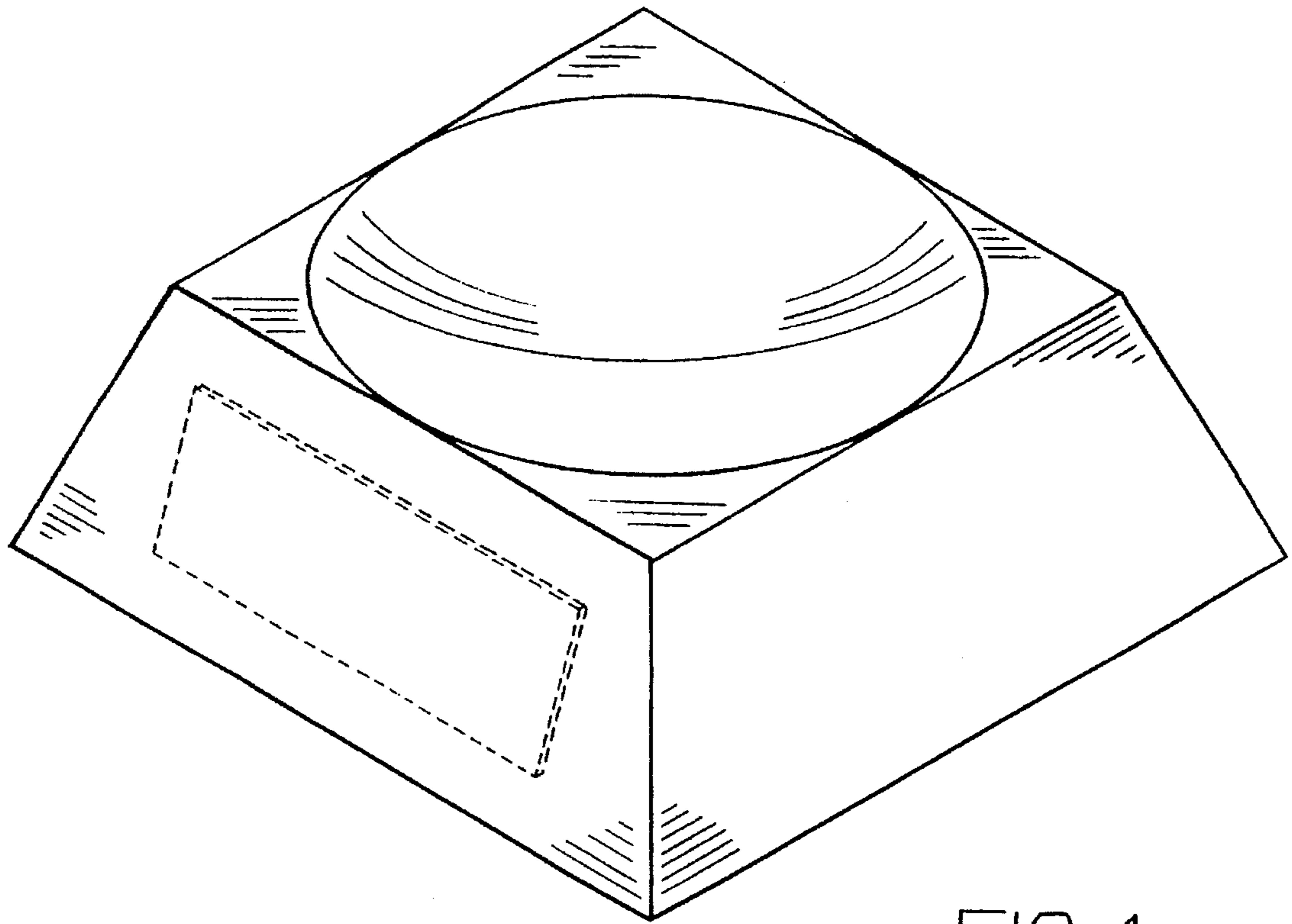


FIG. 1

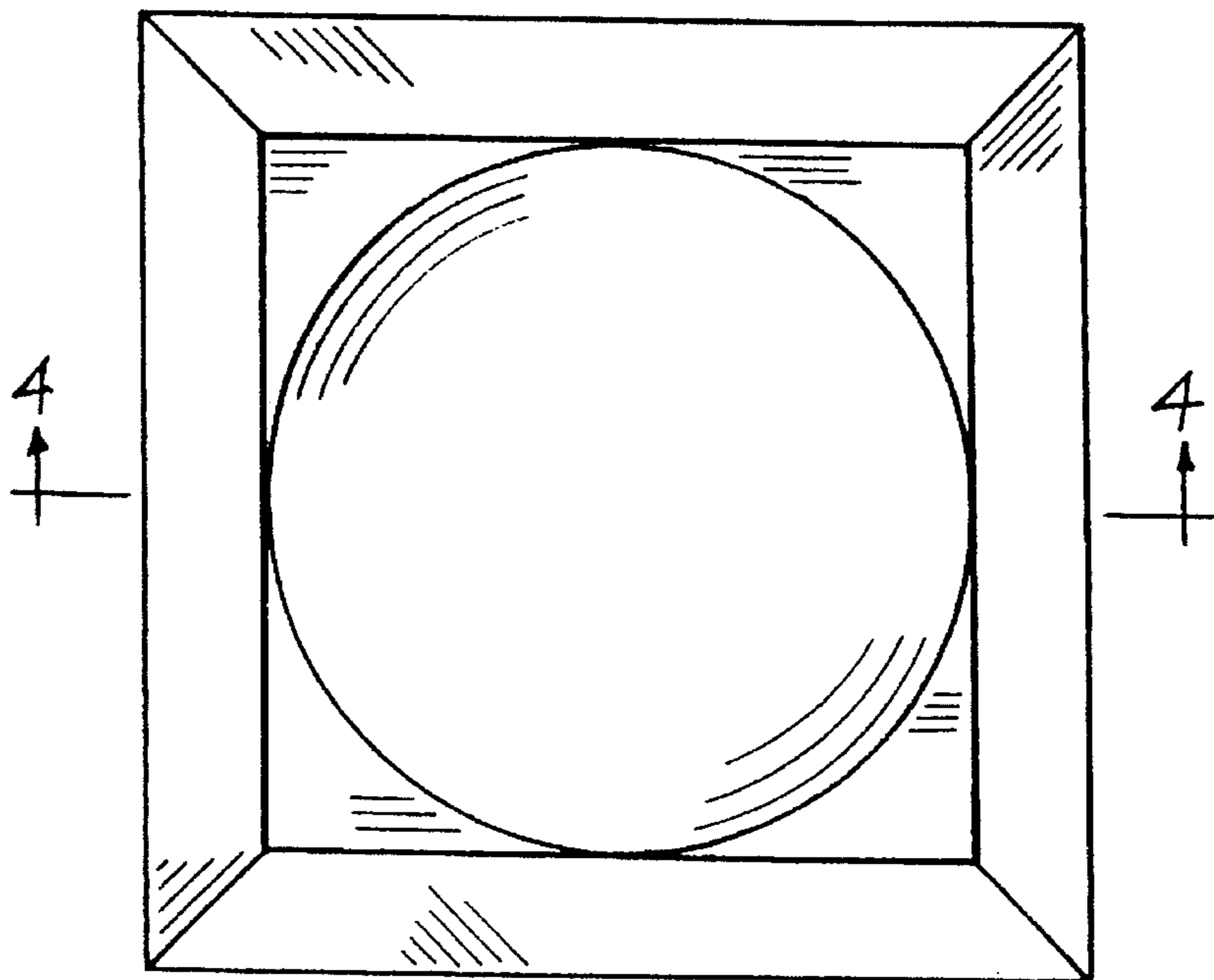


FIG. 2

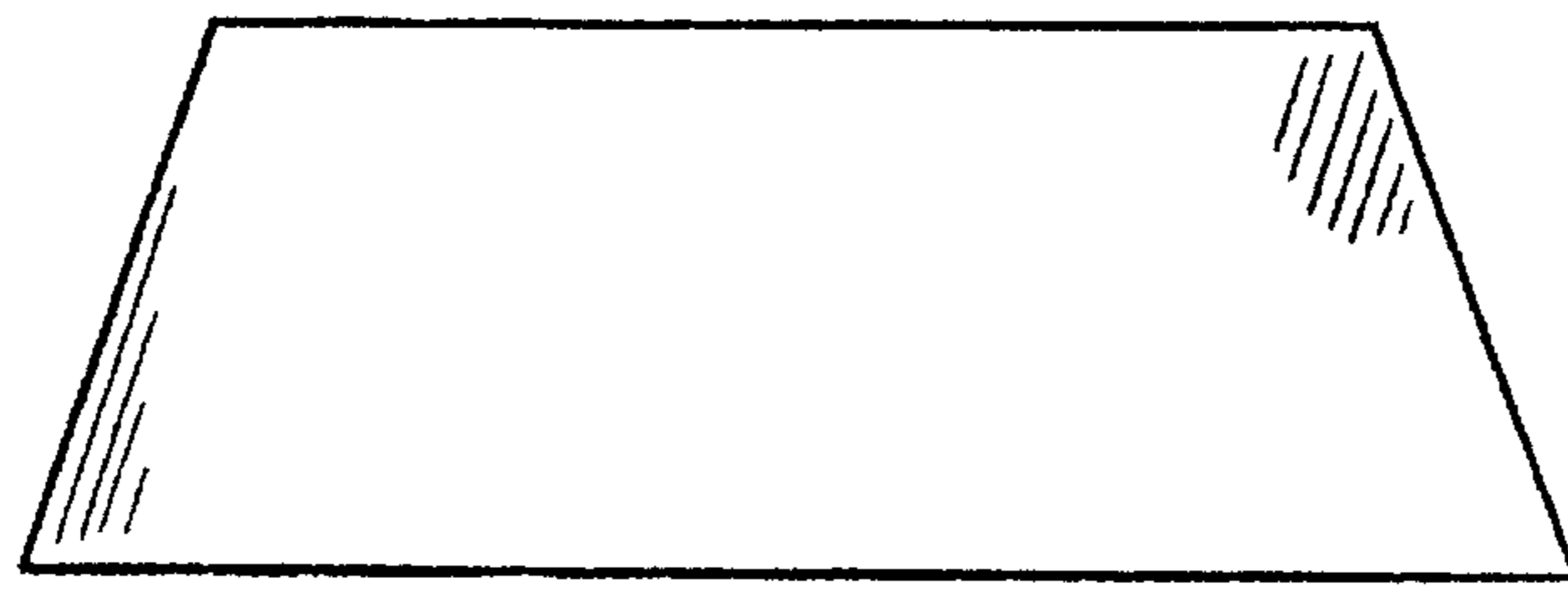


FIG. 3

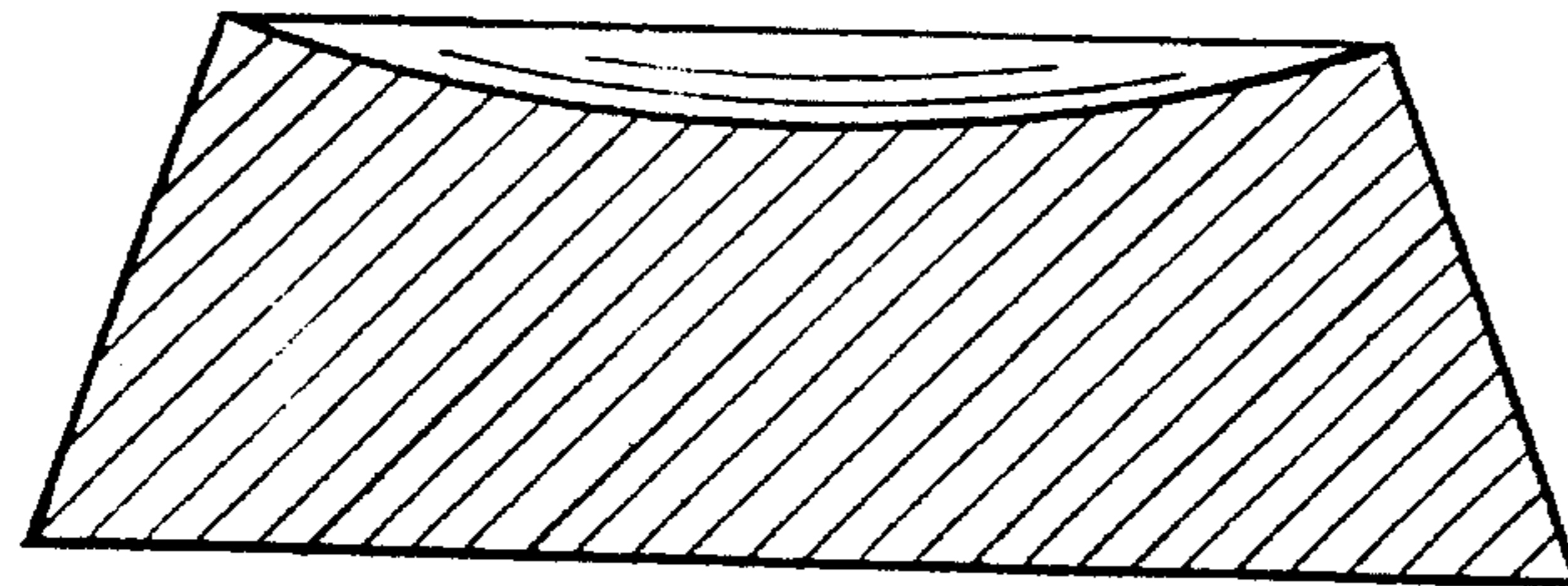


FIG. 4

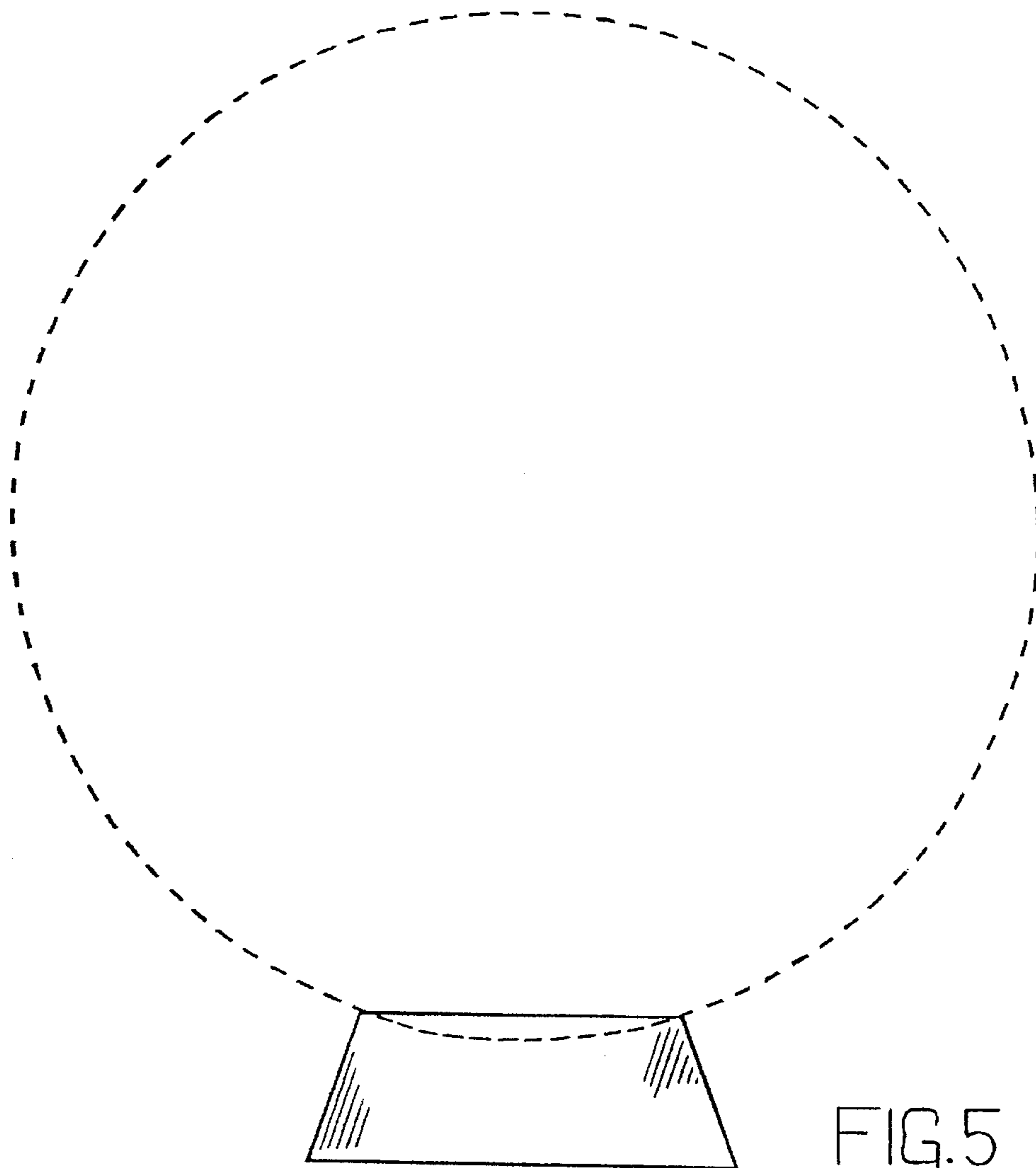


FIG. 5