



US00D370864S

United States Patent [19]
Shockley

[11] **Patent Number: Des. 370,864**
[45] **Date of Patent: **Jun. 18, 1996**

[54] **TICK-TOCK NOISE-MAKING DEVICE FOR A CLOCK PENDULUM**

D. 334,727 4/1993 Goserud D11/131
5,285,429 2/1994 Shockley 368/179

[76] Inventor: **Norman Shockley**, 840 Apperson Dr.,
Salem, Va. 24153

Primary Examiner—Nelson C. Holtje
Attorney, Agent, or Firm—Norman B. Rainer

[**] Term: **14 Years**

[57] **CLAIM**

[21] Appl. No.: **42,022**

The ornamental design for a tick-tock noise-making device for a clock pendulum, as shown and described.

[22] Filed: **Jul. 31, 1995**

DESCRIPTION

[52] U.S. Cl. **D10/128**

[58] **Field of Search** D10/43, 122, 128,
D10/130; 84/484; D11/131, 157; 368/179,
327

FIG. 1 is a rear and side perspective view of a tick-tock noise-making device for a clock pendulum showing my new design;

FIG. 2 is a rear view thereof, the unshown opposite front view being of identical appearance;

FIG. 3 is a left side view thereof, the unshown opposite side view being of mirror-image appearance;

FIG. 4 is a bottom view thereof; and,

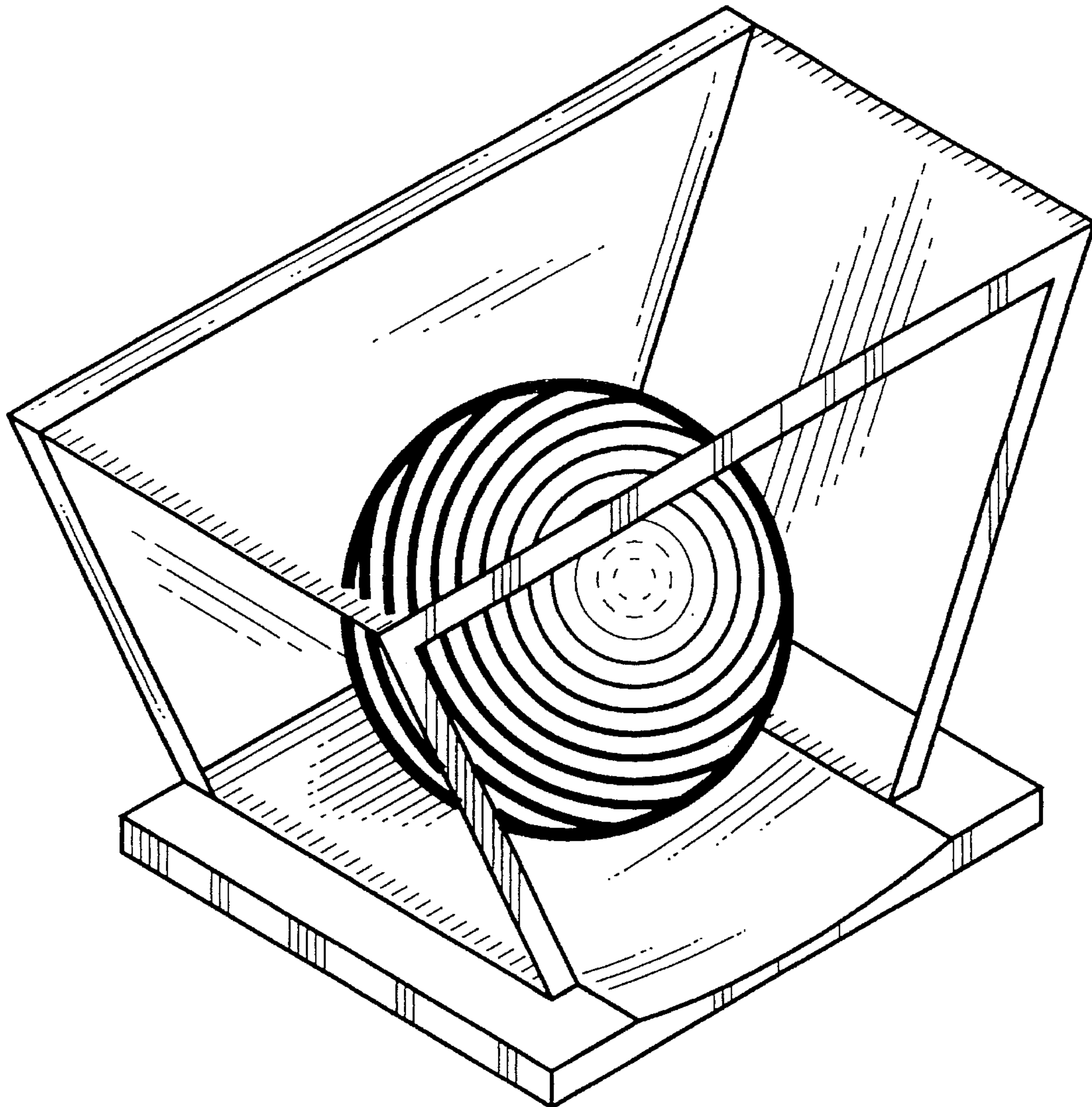
FIG. 5 is a top view thereof.

[56] **References Cited**

U.S. PATENT DOCUMENTS

D. 259,866 7/1981 Mortillaro D11/131
D. 268,599 4/1983 Cox D11/131
D. 279,300 6/1985 Wolf D11/157
D. 283,255 4/1986 Ikeda D11/131 X

1 Claim, 1 Drawing Sheet



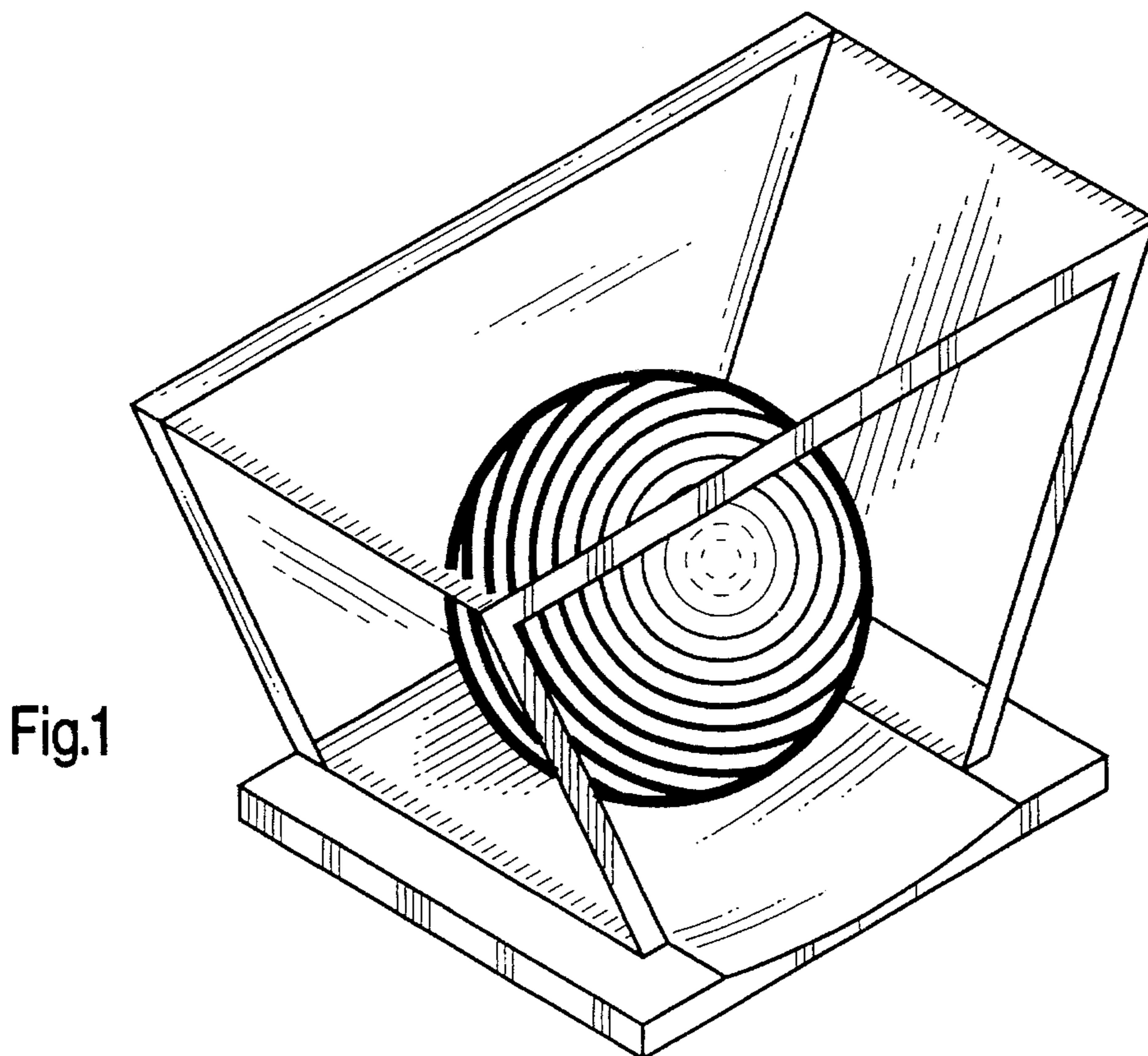


Fig.1

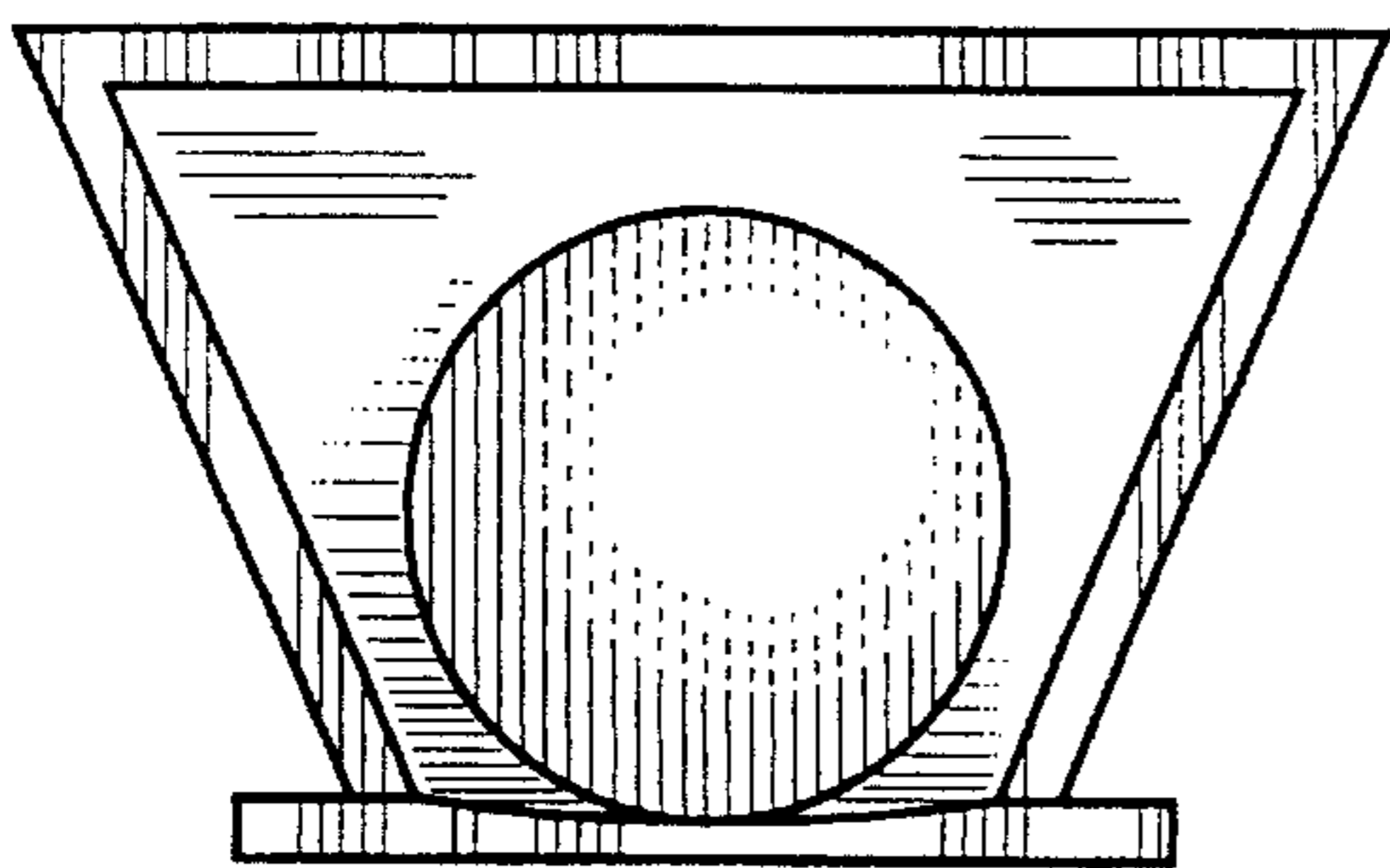


Fig.2

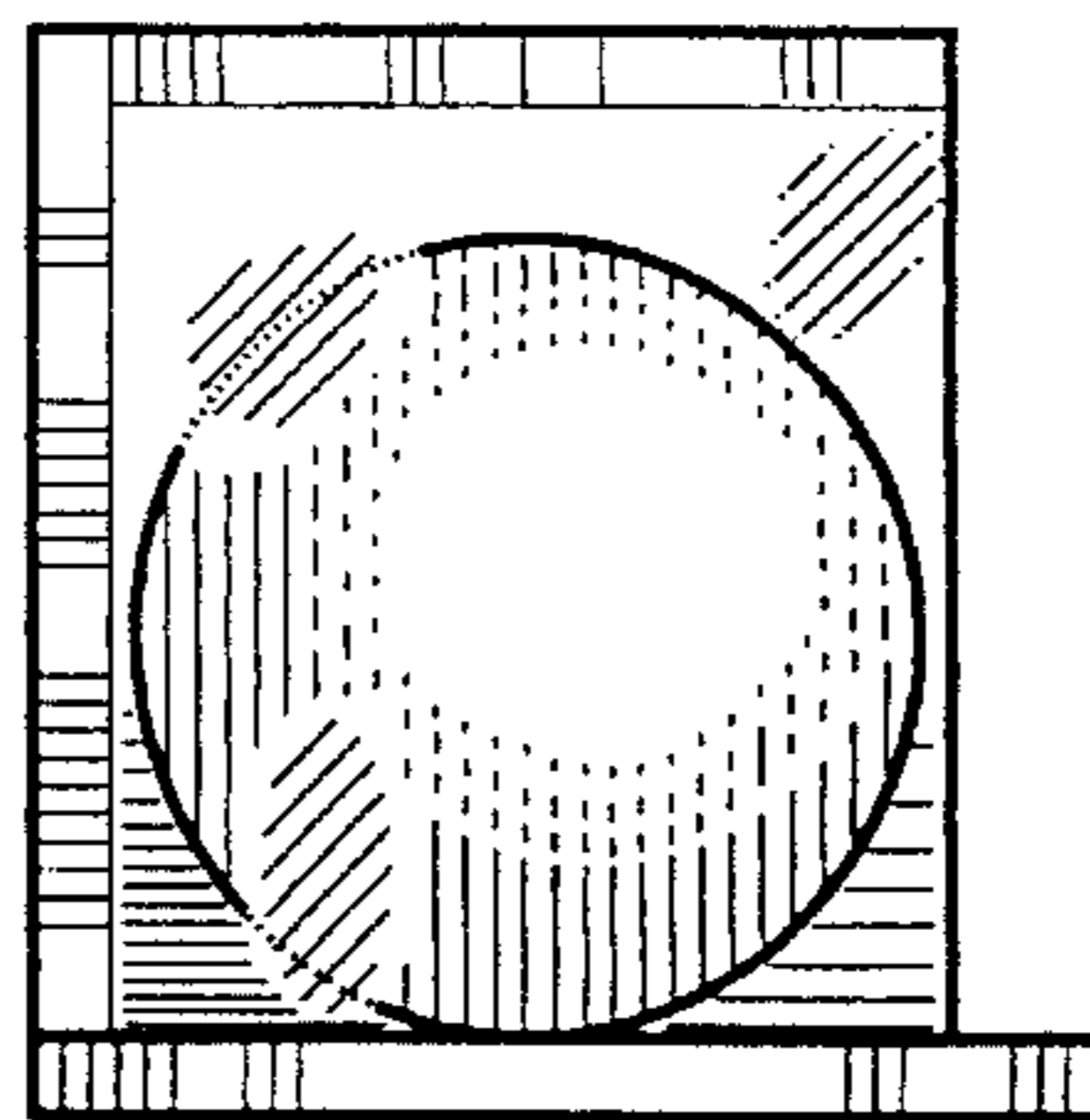


Fig.3

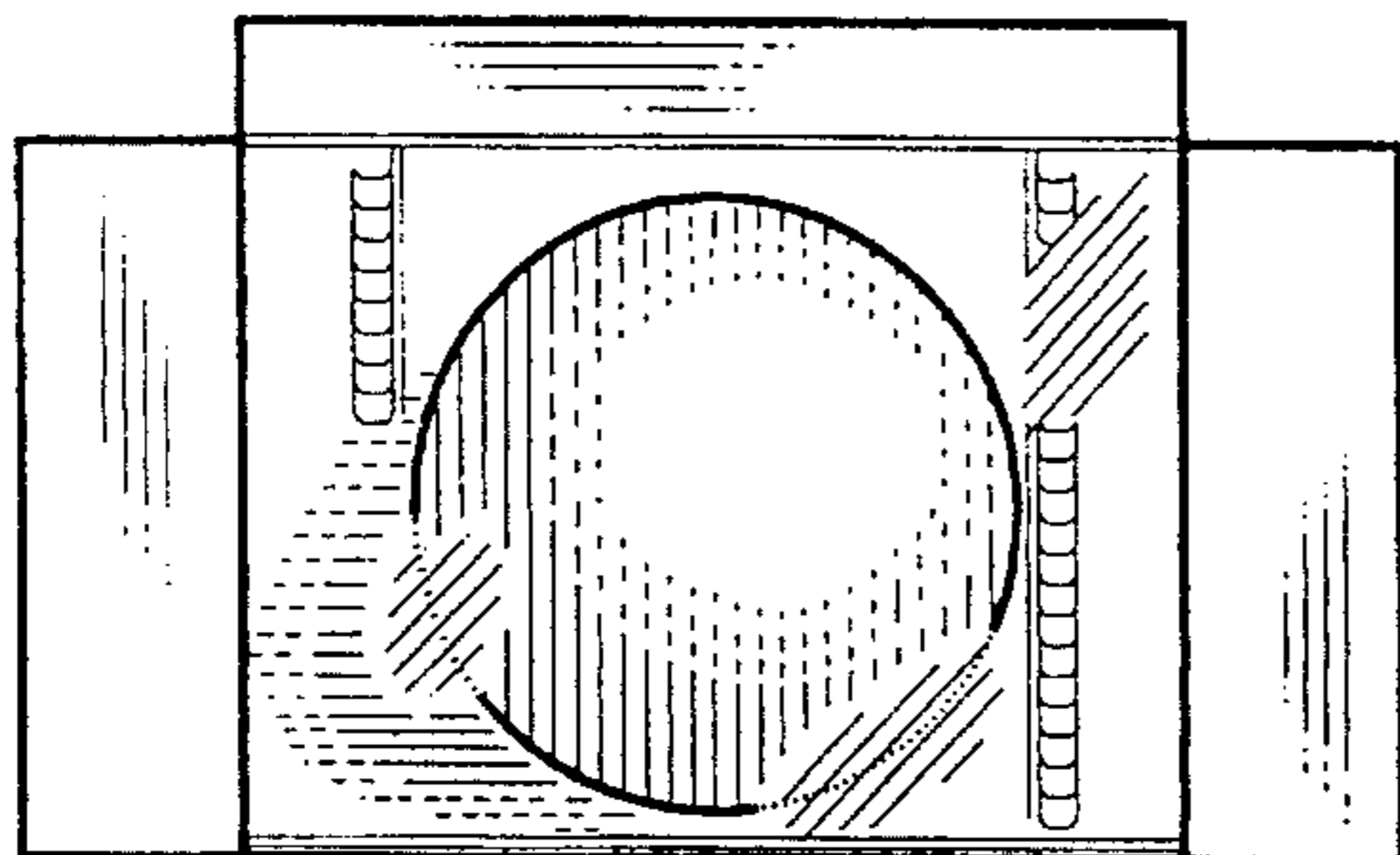


Fig.4

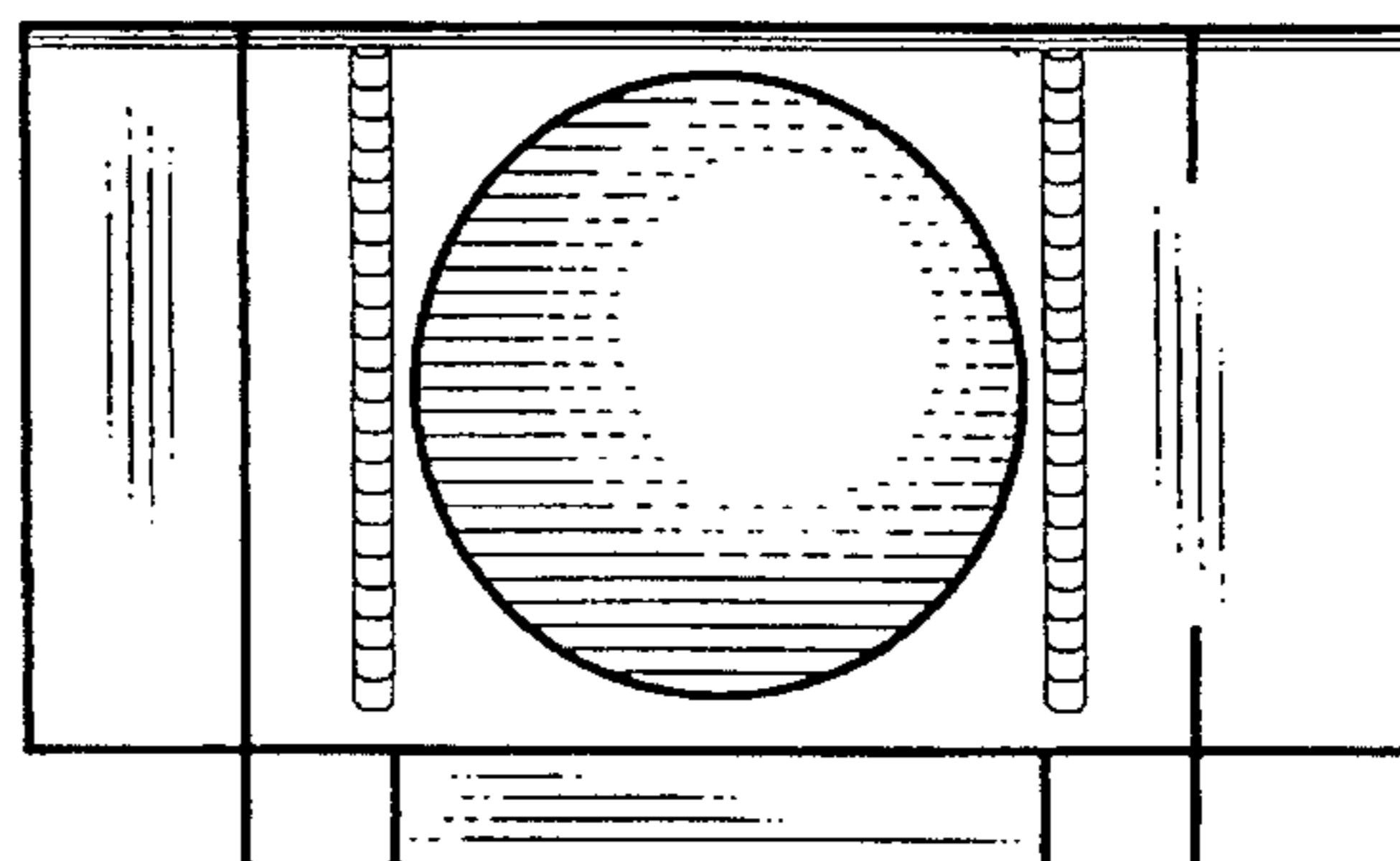


Fig.5