



US00D370862S

United States Patent [19]

John-Hurlow

[11] Patent Number: **Des. 370,862**

[45] Date of Patent: ****Jun. 18, 1996**

[54] ALARM

[75] Inventor: **Michael John-Hurlow**, London, Great Britain

[73] Assignee: **Otto Pfannenberg Elektro-Spezialgerätebau GmbH**, Hamburg, Germany

[**] Term: **14 Years**

[21] Appl. No.: **31,707**

[22] Filed: **Dec. 2, 1994**

[30] **Foreign Application Priority Data**

Jun. 3, 1994 [DE] Germany M 94 04 426.0

[52] U.S. Cl. **D10/106**; D10/116

[58] Field of Search D10/104, 106, D10/116, 119, 120, 121; 340/540, 541, 542, 543, 544, 545, 546, 547, 552, 556, 577, 578, 579, 584, 586, 627, 629, 630; 116/67 R, 75, 77

[56] **References Cited**

U.S. PATENT DOCUMENTS

D. 261,371 10/1981 Lewis D10/106

D. 292,498 10/1987 Hayashi D10/120
D. 297,918 10/1988 Kamada D10/120
D. 314,720 2/1991 Chen D10/106
D. 347,596 6/1994 Jackson D10/120

Primary Examiner—Marcus A. Jackson
Attorney, Agent, or Firm—Friedrich Kueffner

[57] **CLAIM**

The ornamental design for an alarm, as shown and described.

DESCRIPTION

FIG. 1 is a front perspective view of an audible security alarm showing my new design;
FIG. 2 is a front view thereof;
FIG. 3 is a side perspective view thereof;
FIG. 4 is a bottom plan view thereof;
FIG. 5 is a left side elevational view thereof, with the opposite side begin a mirror image; and,
FIG. 6 is a rear elevational view thereof.

1 Claim, 4 Drawing Sheets

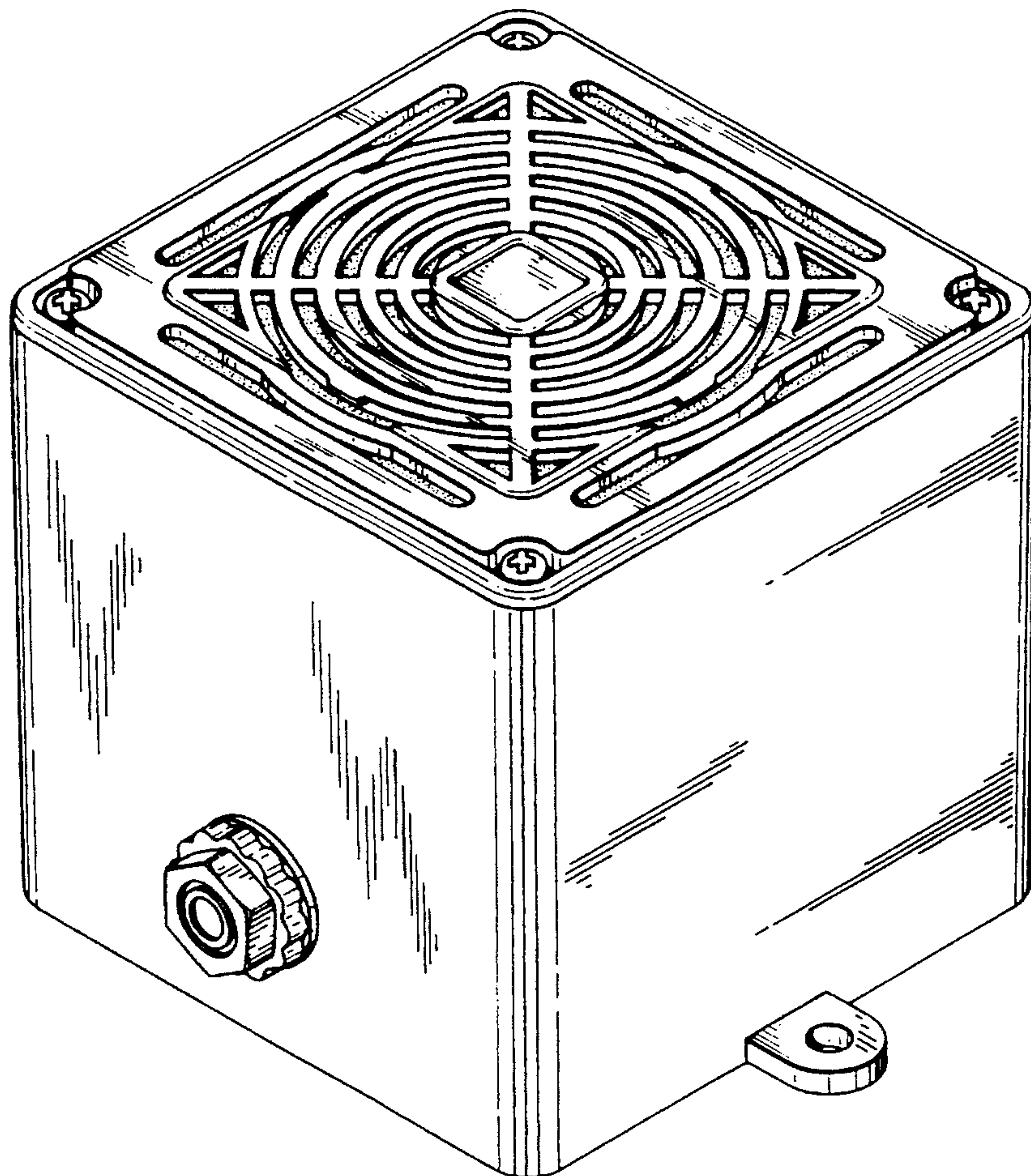


Fig. 1

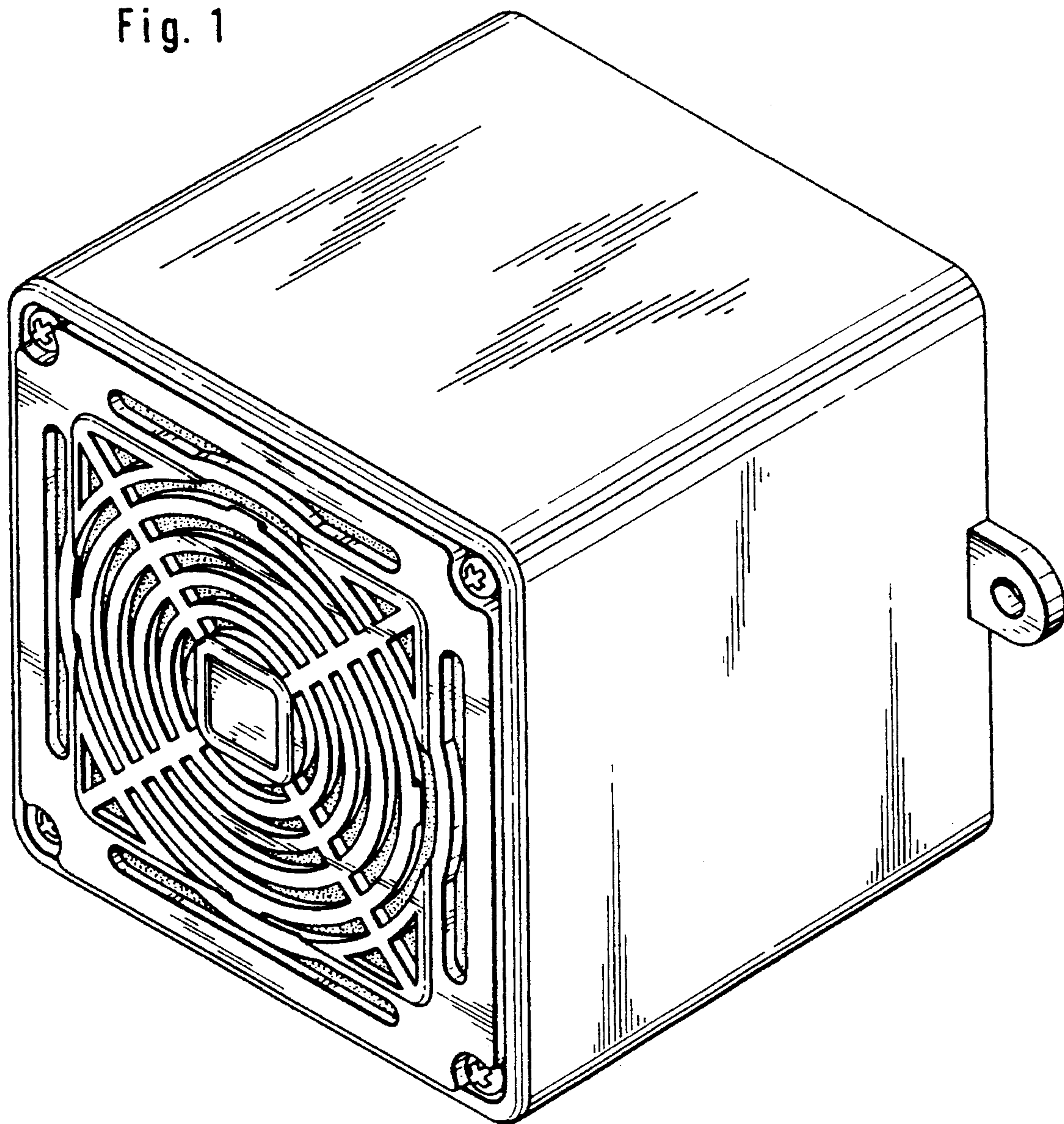


Fig. 2

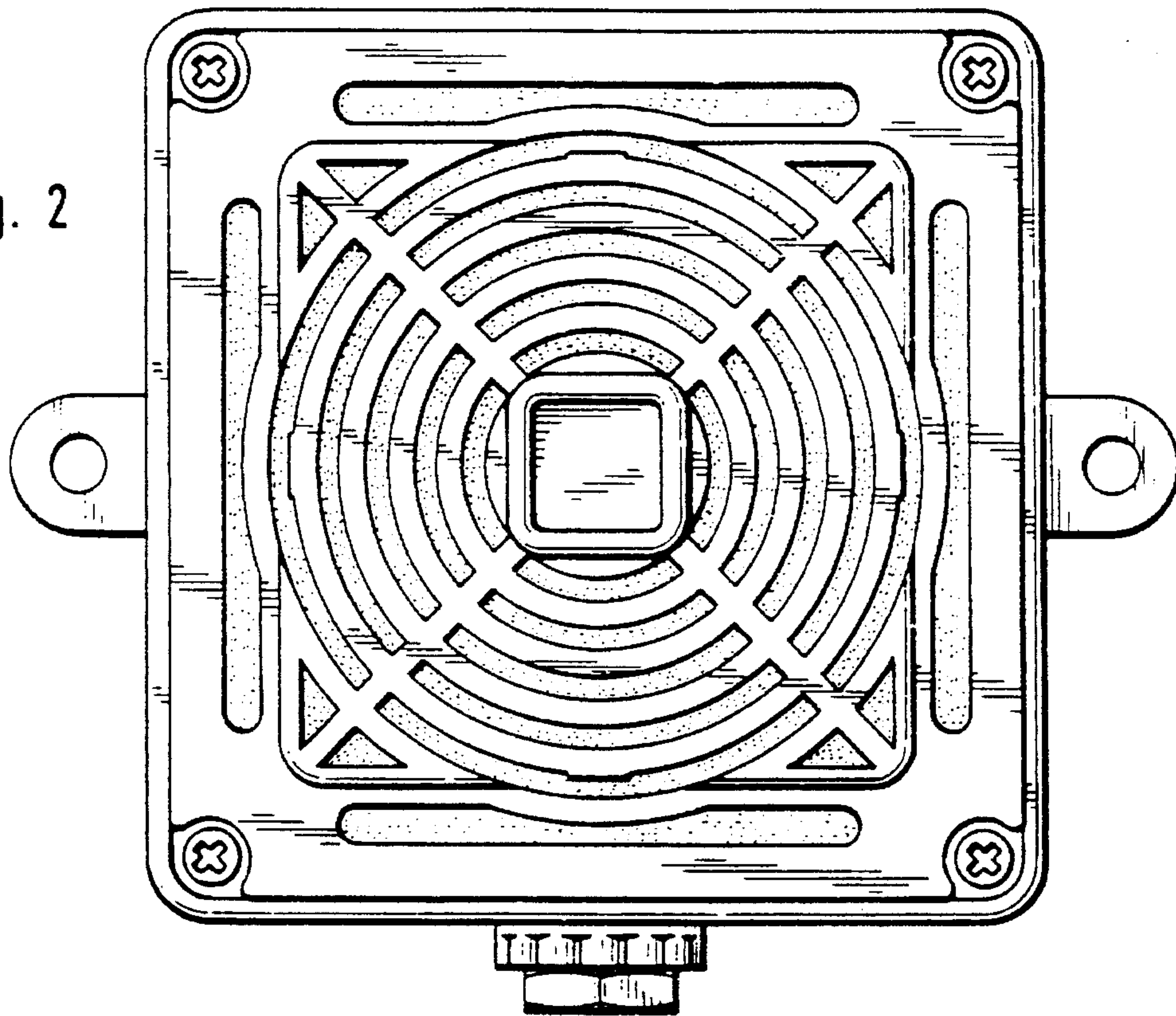


Fig. 4

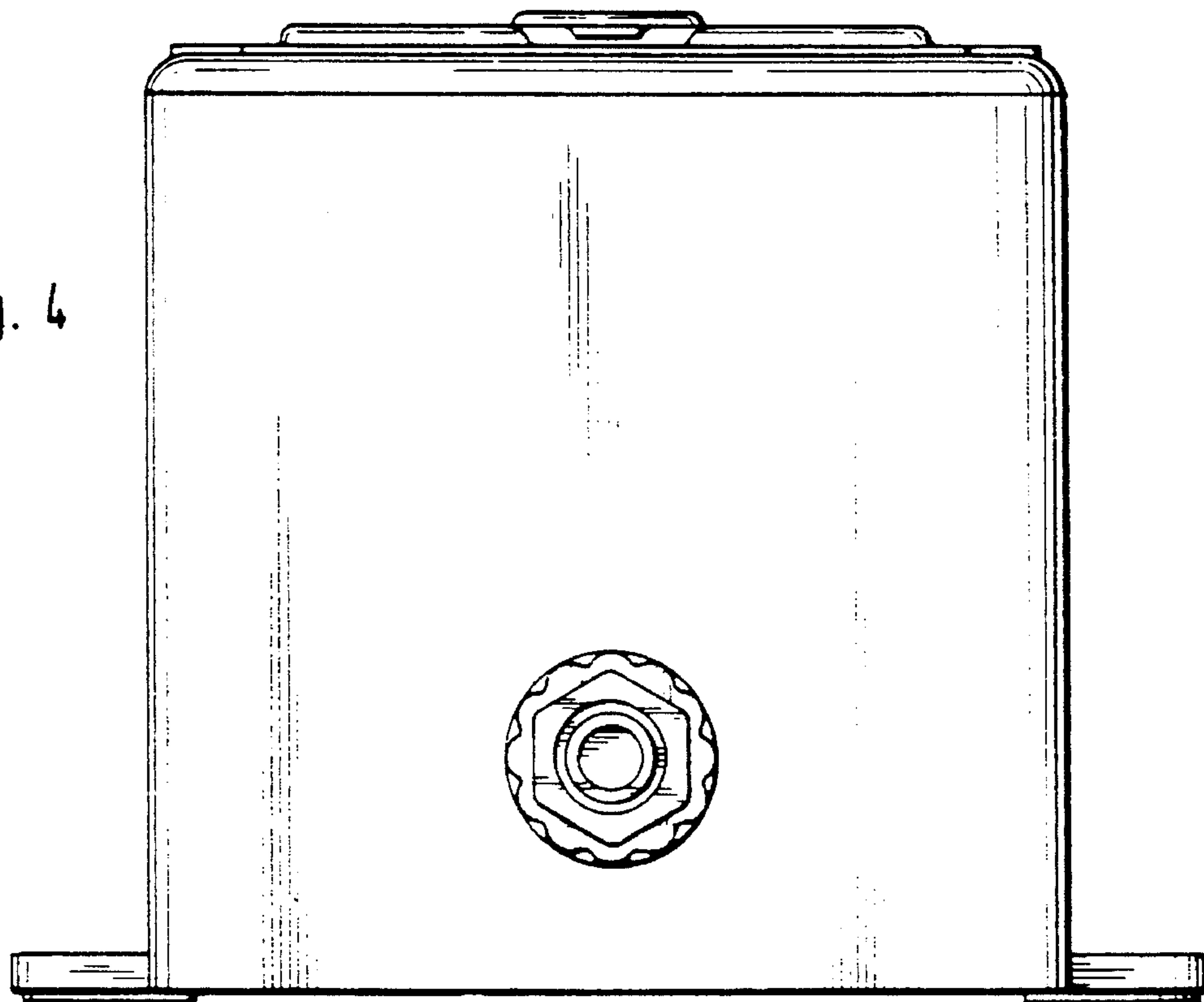


Fig. 3

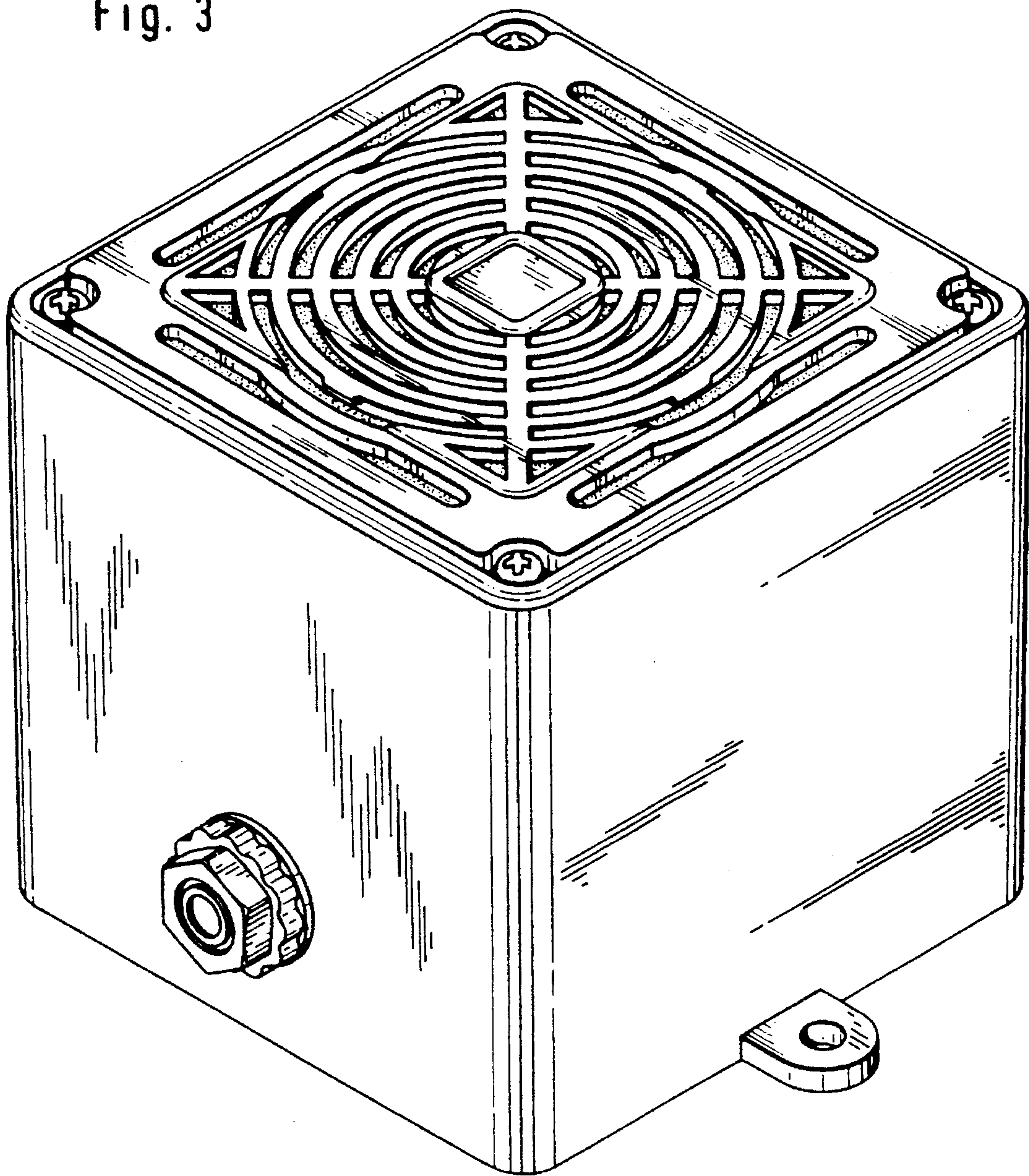


Fig. 5

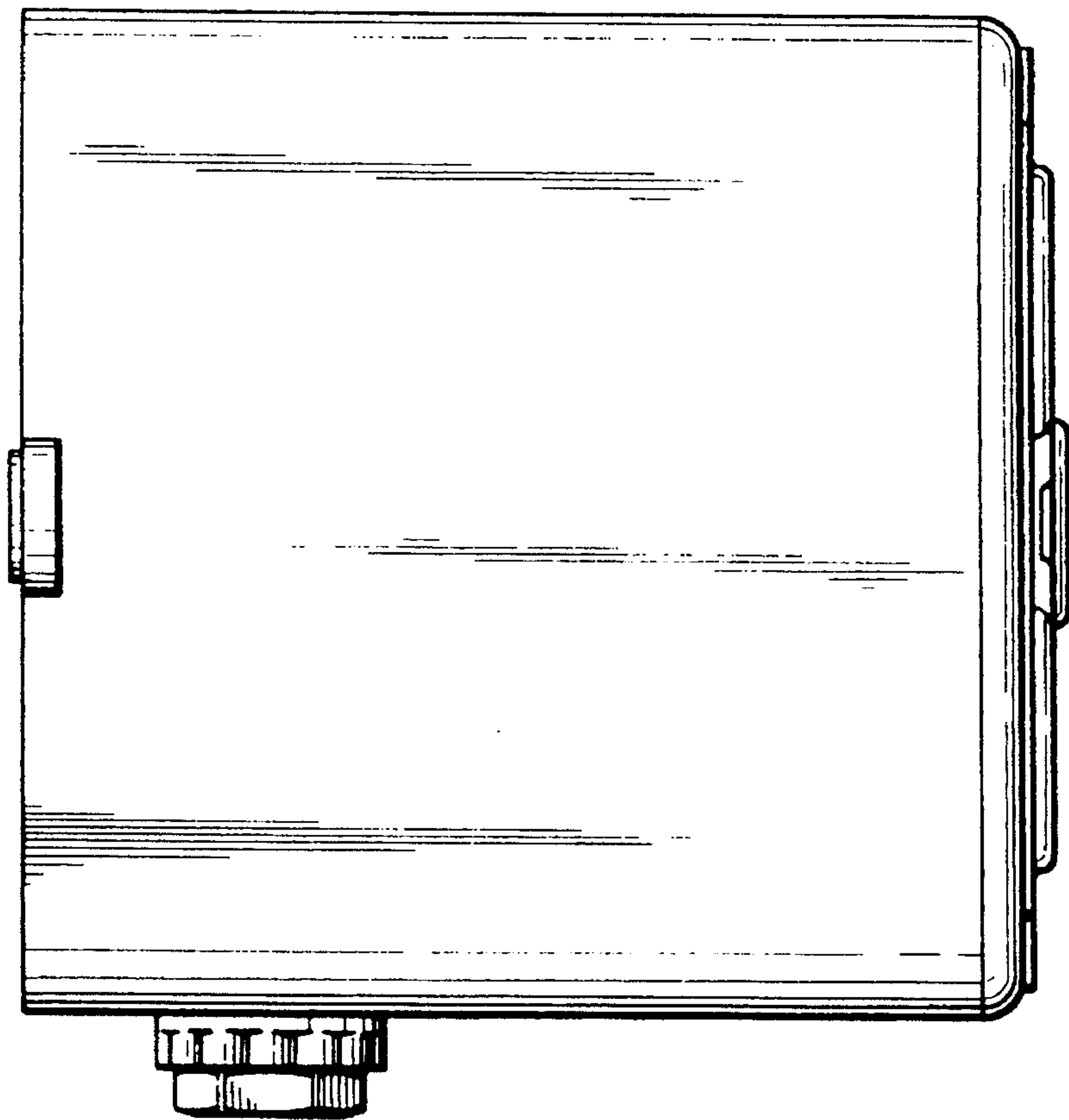


Fig. 6

