



US00D370861S

United States Patent [19]
Carpenter

[11] **Patent Number: Des. 370,861**

[45] **Date of Patent: **Jun. 18, 1996**

[54] **CONTROL LINKAGE POSITIONING TOOL**

[76] Inventor: **Donald L. Carpenter**, 5294 Waterloo Rd., Burlington, Ky. 41005

[**] Term: **14 Years**

[21] Appl. No.: **39,351**

[22] Filed: **May 26, 1995**

[52] U.S. Cl. **D10/70**

[58] Field of Search D10/73; 33/600, 33/601, 792

[56] **References Cited**

U.S. PATENT DOCUMENTS

1,611,062 12/1926 Pebbles 33/601 X
5,414,941 5/1995 Carpenter 33/601

Primary Examiner—Antoine Duval Davis
Attorney, Agent, or Firm—Wood, Herron & Evans

[57] **CLAIM**

The ornamental design for a control linkage positioning tool, as shown and described.

DESCRIPTION

FIG. 1 is a perspective view of a control linkage positioning tool embodying my new design;

FIG. 2 is a front view thereof, shown secured onto a control linkage rod. The back view of the control linkage positioning tool is a mirror image of FIG. 2. The broken line showing of a control linkage rod is for illustrative purposes only and forms no part of the claimed design;

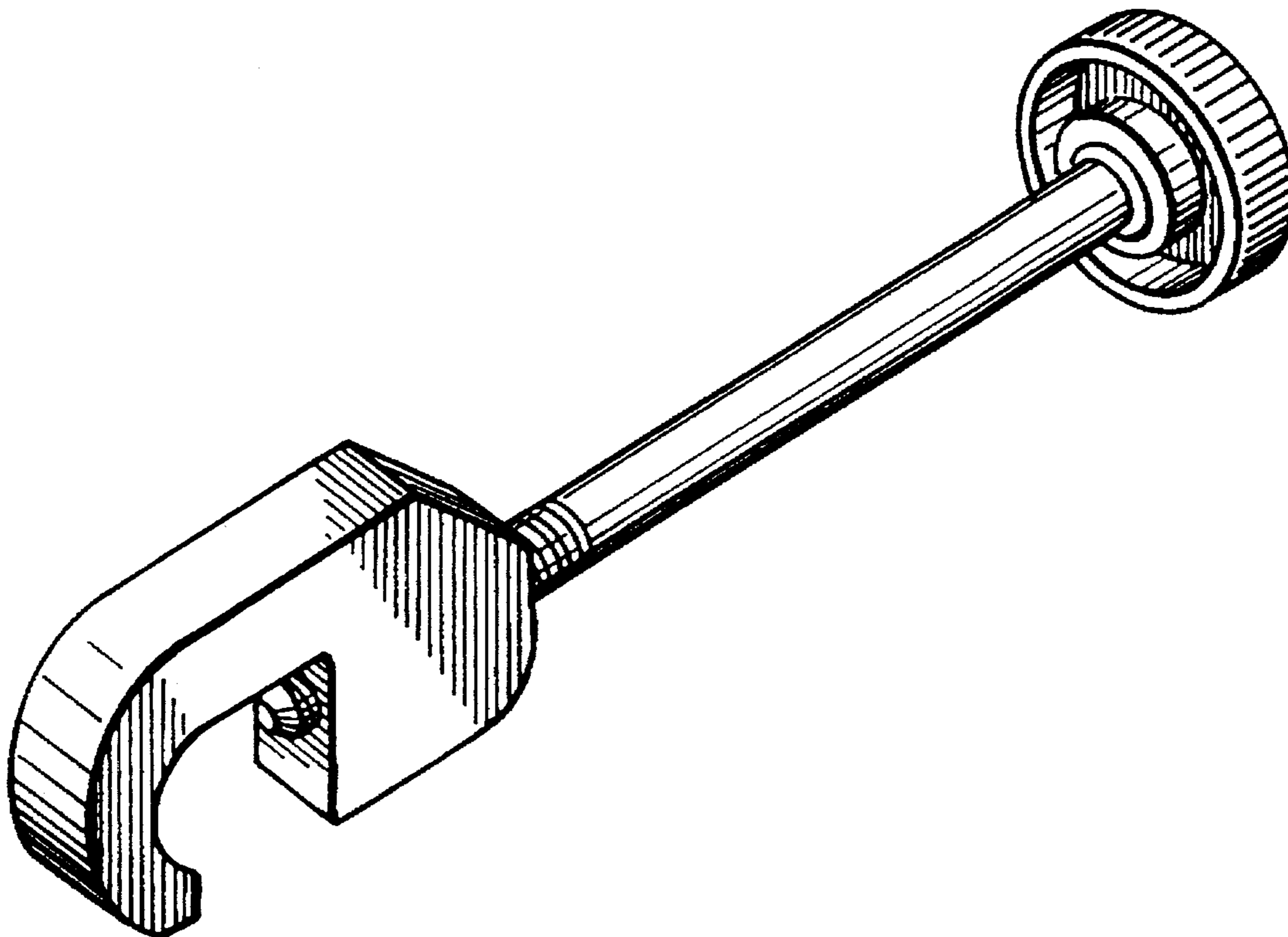
FIG. 3 is a left side elevational view of the control linkage positioning tool;

FIG. 4 is a right side elevational view thereof;

FIG. 5 is a bottom plan view thereof; and,

FIG. 6 is a top plan view thereof.

1 Claim, 1 Drawing Sheet



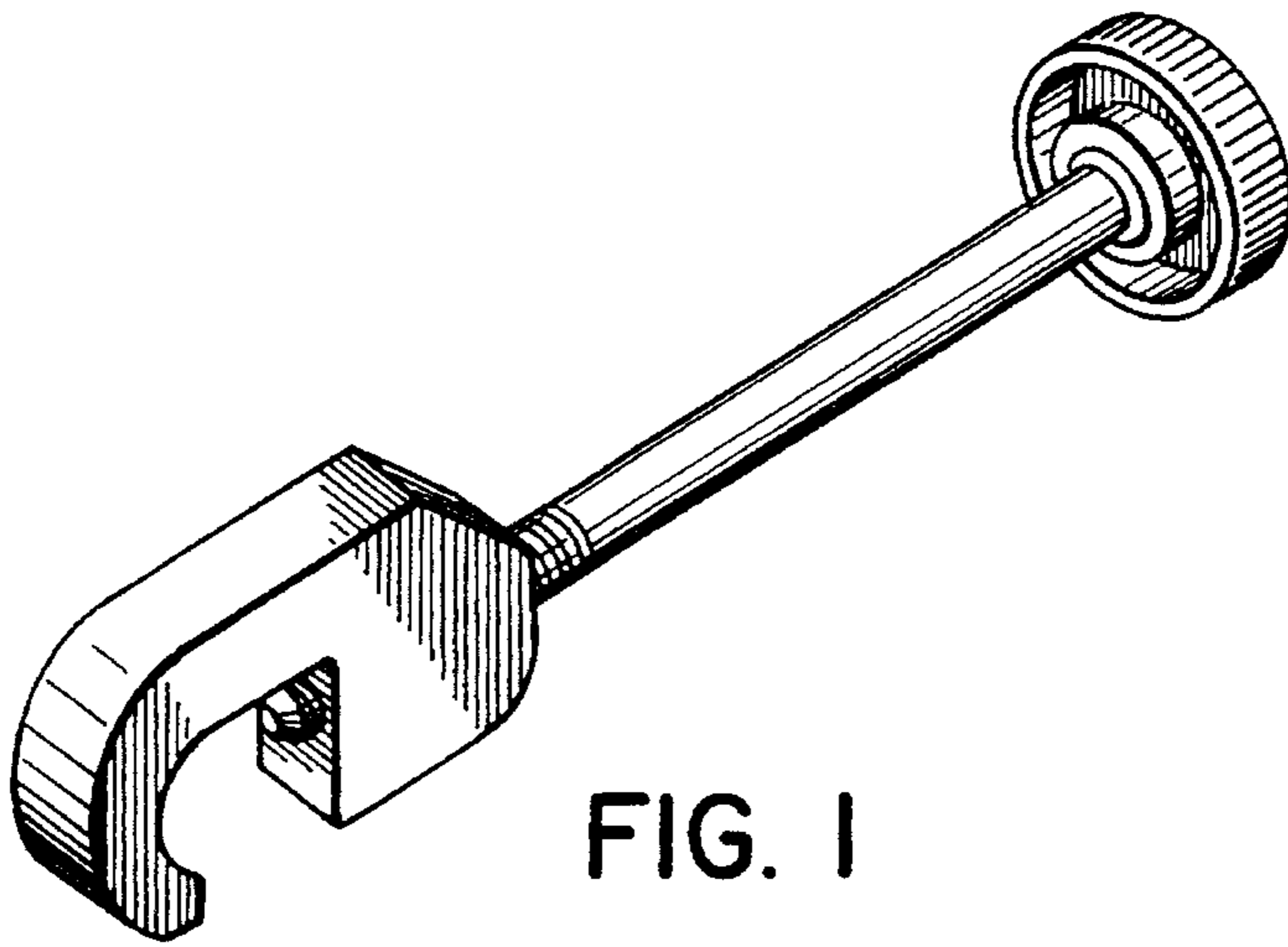


FIG. 1

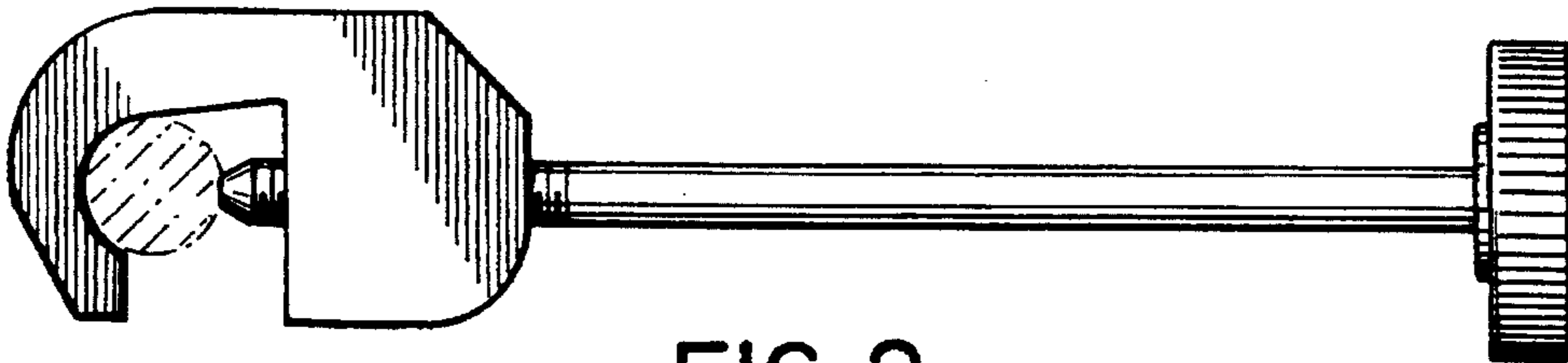


FIG. 2

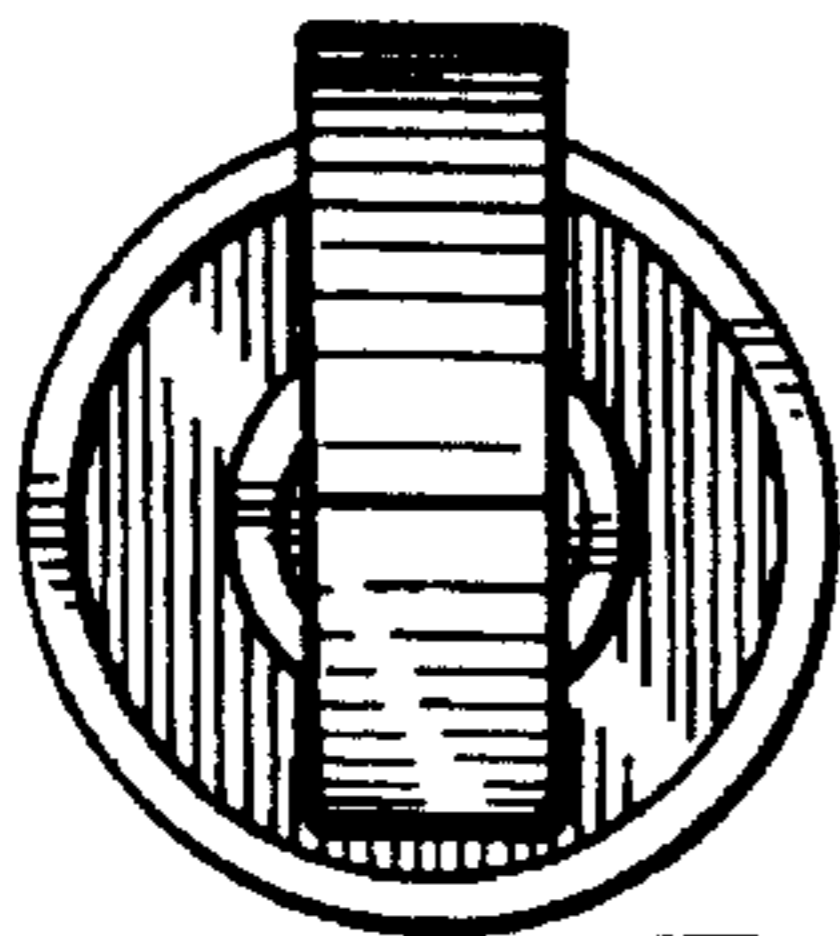


FIG. 3

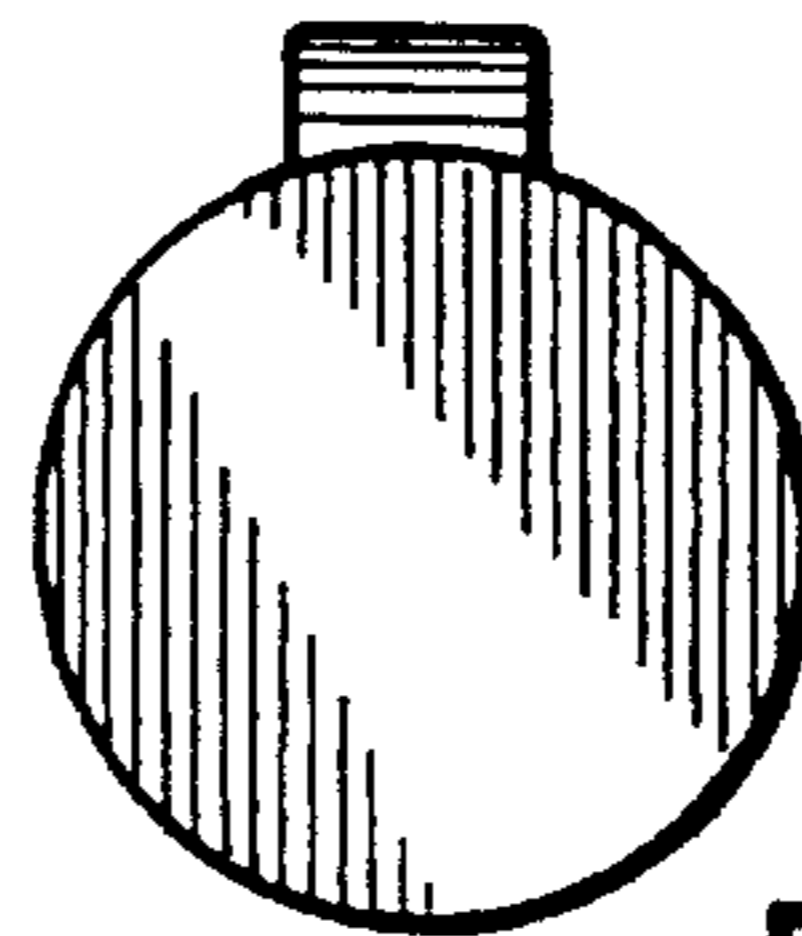


FIG. 4

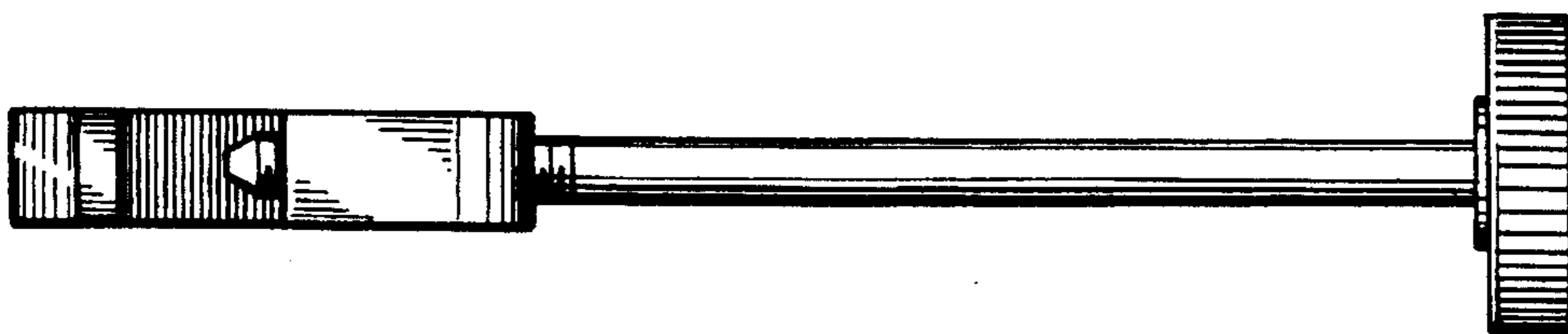


FIG. 5

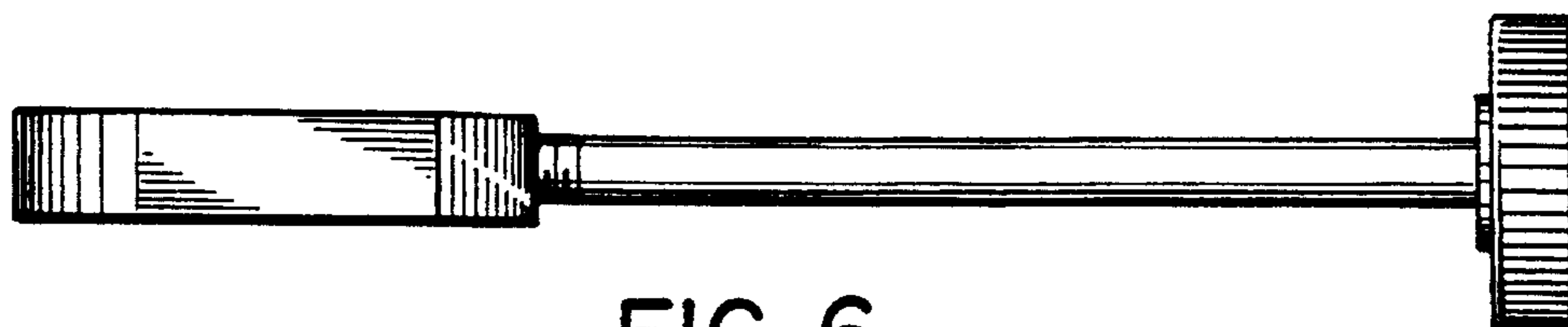


FIG. 6