



US00D370845S

United States Patent [19]

[11] Patent Number: **Des. 370,845**

Sherman et al.

[45] Date of Patent: ****Jun. 18, 1996**

[54] TAMPER EVIDENT CAP

OTHER PUBLICATIONS

[75] Inventors: **Adam Sherman**, Brooklyn, N.Y.;
George J. Neveras, Kendall, N.J.;
Claude Blasin, Brussels, Belgium

"SECAP" Tamper Evident Closure, Dougherty Brothers Company advertisement, D&CI, Dec. 1982, p. 61.

[73] Assignee: **Colgate-Palmolive Co.**, New York, N.Y.

Primary Examiner—Alan P. Douglas
Assistant Examiner—Robert M. Spear
Attorney, Agent, or Firm—Michael J. McGreal; Murray M. Grill

[**] Term: **14 Years**

[57] CLAIM

[21] Appl. No.: **7,391**

The ornamental design for a tamper evident cap, as shown and described.

[22] Filed: **Apr. 21, 1993**

[52] U.S. Cl. **D9/438; D9/447**

DESCRIPTION

[58] **Field of Search** D9/434-6, 438,
D9/440, 444-5, 447-9, 454; 215/100 A,
201, 206, 216, 235, 237, 253-4; 220/265,
339; 222/81, 153, 541

FIG. 1 is a perspective view of the tamper evident cap showing our design;
FIG. 2 is a front elevational view thereof;
FIG. 3 is a rear elevational view thereof;
FIG. 4 is a top plan view thereof;
FIG. 5 is a bottom plan view thereof;
FIG. 6 is a side elevational view thereof;
FIG. 7 is a perspective view thereof with the tamper evident band removed;
FIG. 8 is a front elevational view of the embodiment of FIG. 7;
FIG. 9 is a rear elevational view of the embodiment of FIG. 7;
FIG. 10 is a top plan view of the embodiment of FIG. 7;
FIG. 11 is a bottom plan view of the embodiment of FIG. 7;
FIG. 12 is a side elevational view of the embodiment of FIG. 7;
FIG. 13 is a perspective view of the tamper evident band removed from the closure of FIG. 1 for ease of illustration;
FIG. 14 is a rear elevational view of the tamper evident band of FIG. 13; and,
FIG. 15 is a cross section view of the embodiment of FIG. 1.

[56] References Cited

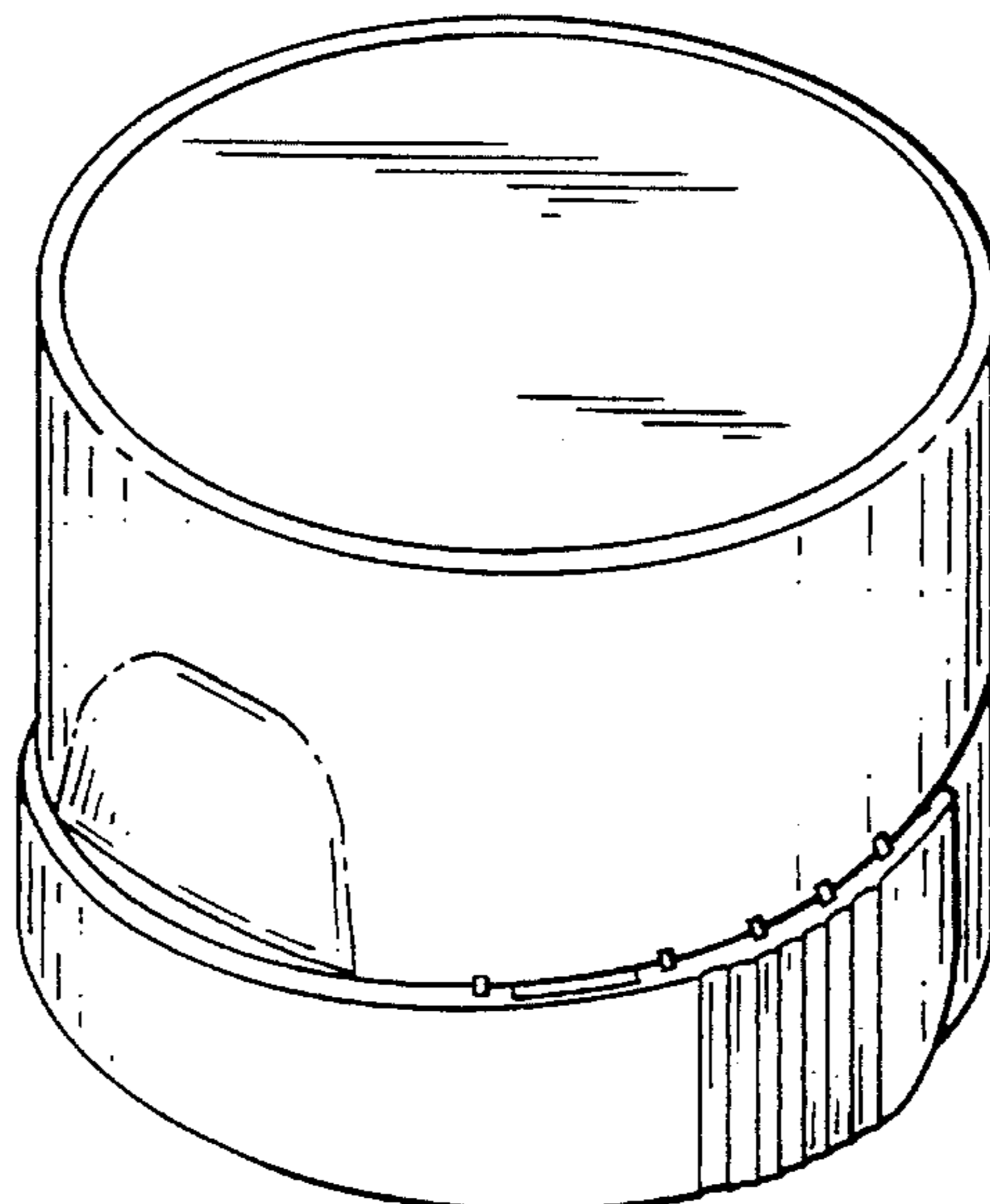
U.S. PATENT DOCUMENTS

D. 256,672	9/1980	Beck	D9/454
D. 342,452	12/1993	Monaghan	D9/454
3,109,548	11/1963	Wood	D9/438 X
3,424,330	1/1969	Marcel	D9/438 X
3,462,035	8/1969	Grussen	D9/454 X
4,396,128	8/1983	Larson et al.	215/100 A
4,487,324	12/1984	Ostrowsky	215/253
4,519,517	5/1985	Walter	215/253
4,534,481	8/1985	Summers et al.	215/253
4,638,916	1/1987	Beck et al.	215/235
4,696,408	9/1987	Dubach	215/237
4,759,455	7/1988	Wilson	215/206
4,782,964	11/1988	Poore et al.	215/216
4,911,324	3/1990	Dubach	220/339
5,069,367	12/1991	Salmon et al.	222/153
5,094,361	3/1992	Dubach	222/81
5,141,138	8/1992	Odet et al.	222/541

FOREIGN PATENT DOCUMENTS

U9201208 4/1992 Spain .

1 Claim, 6 Drawing Sheets



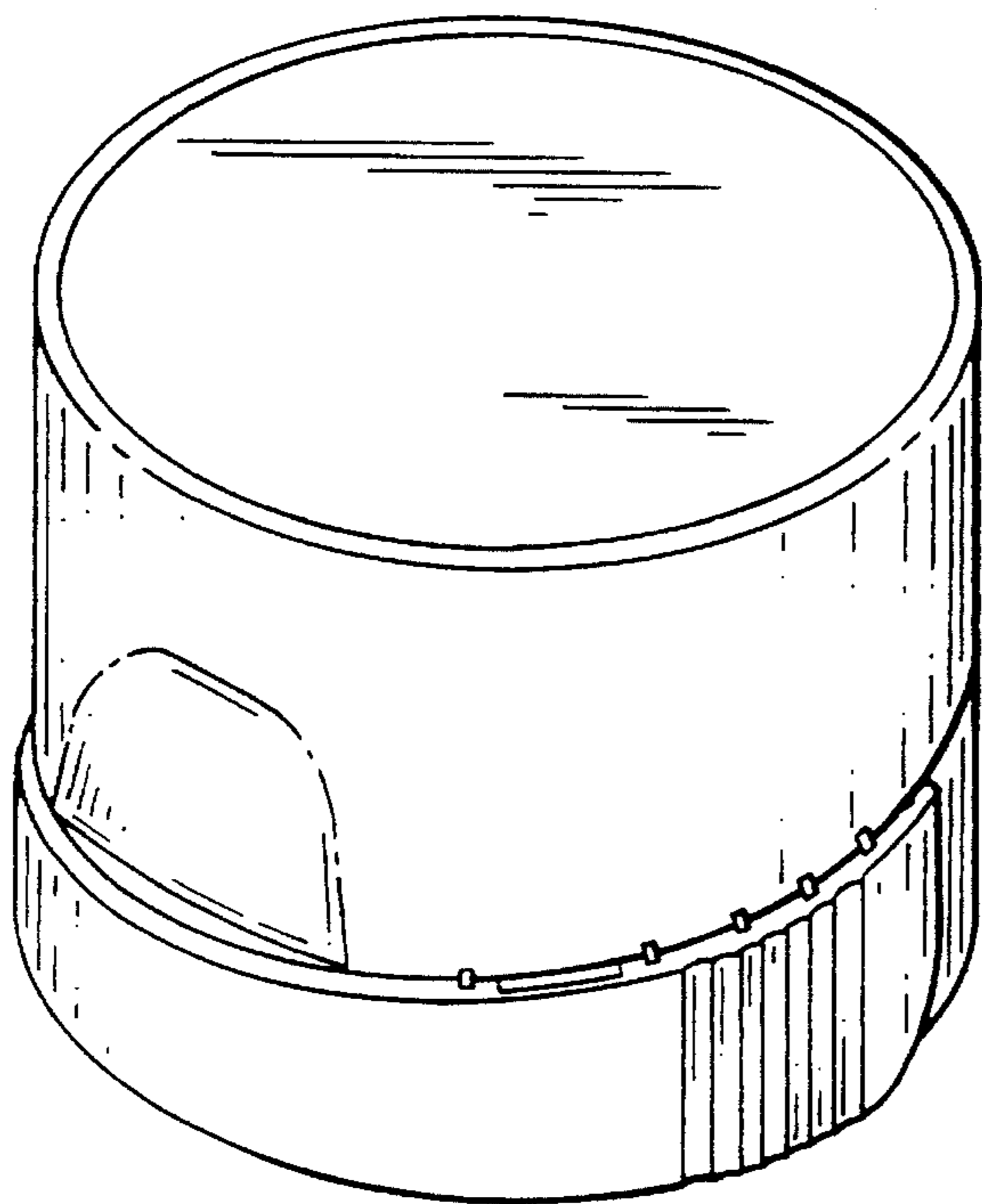


FIG. 1

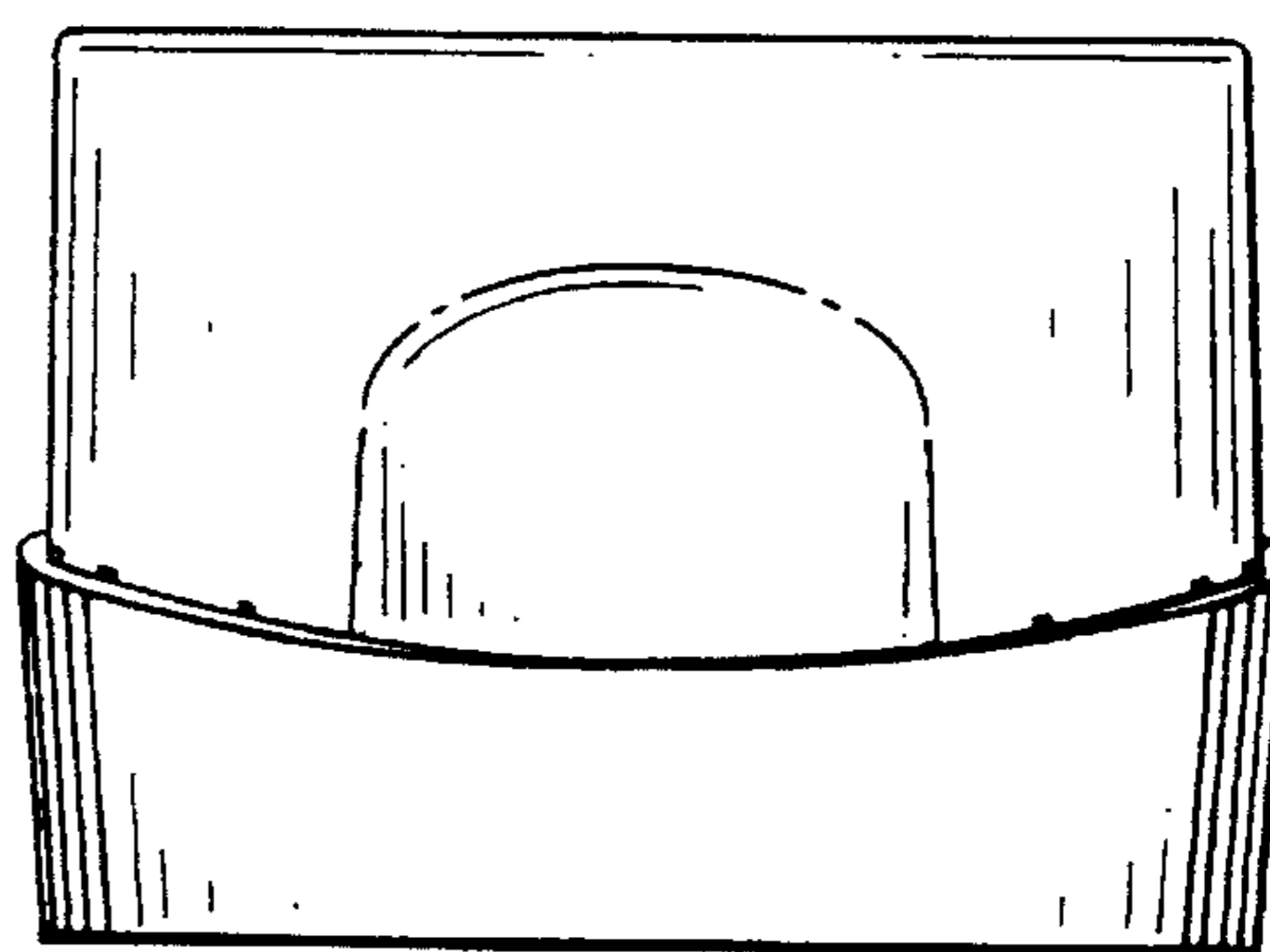


FIG. 2

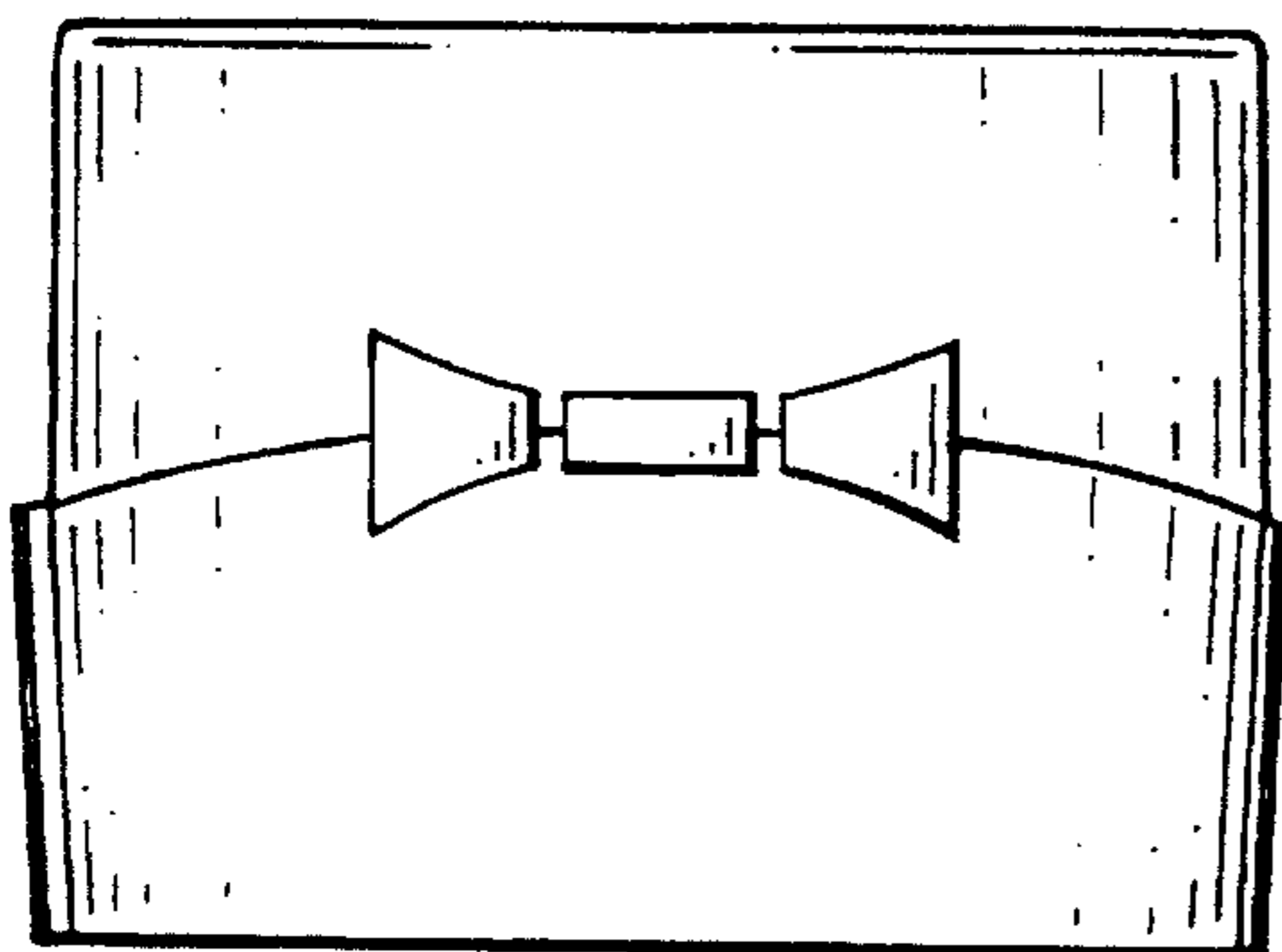


FIG. 3

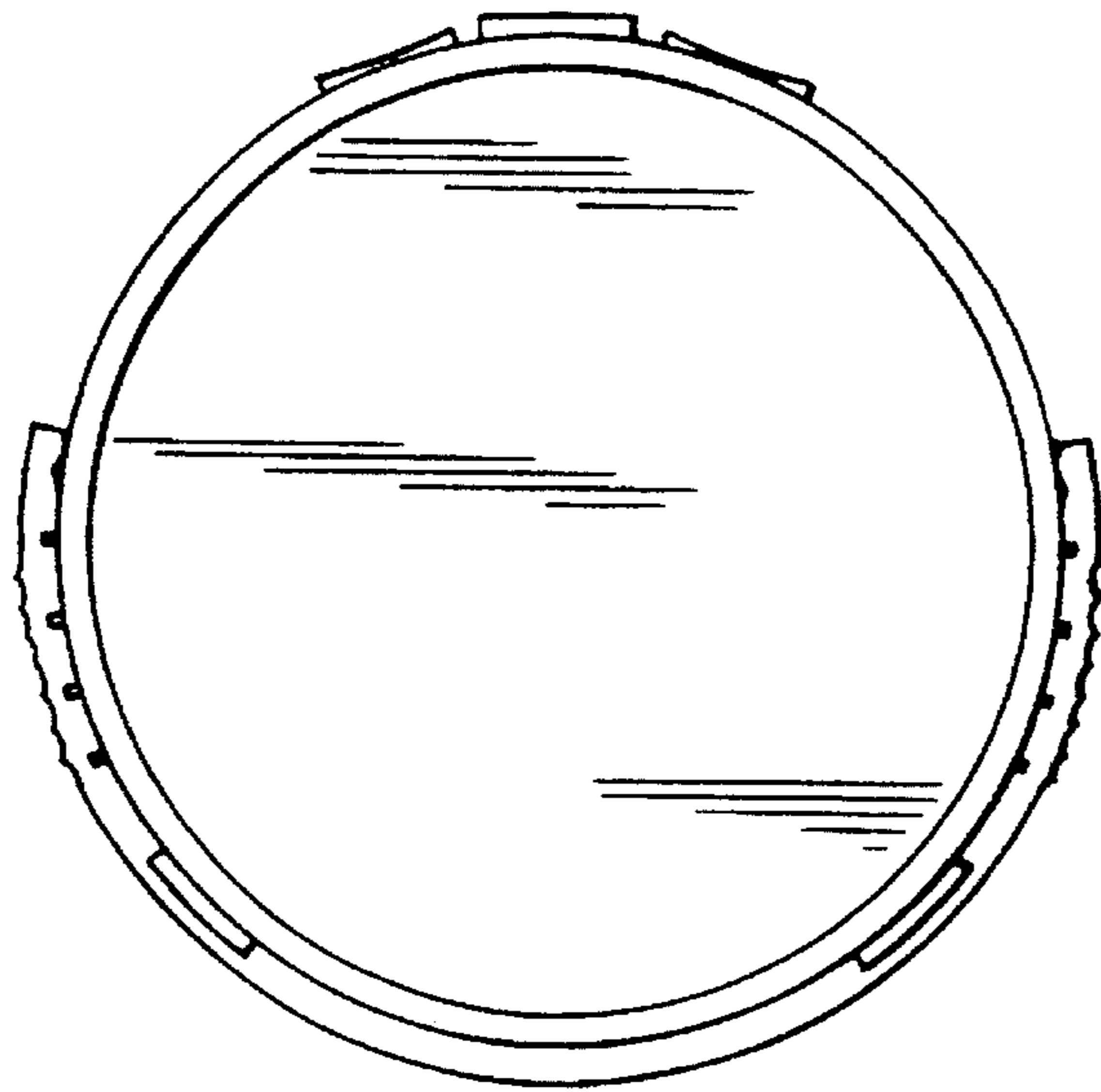


FIG. 4

FIG. 5

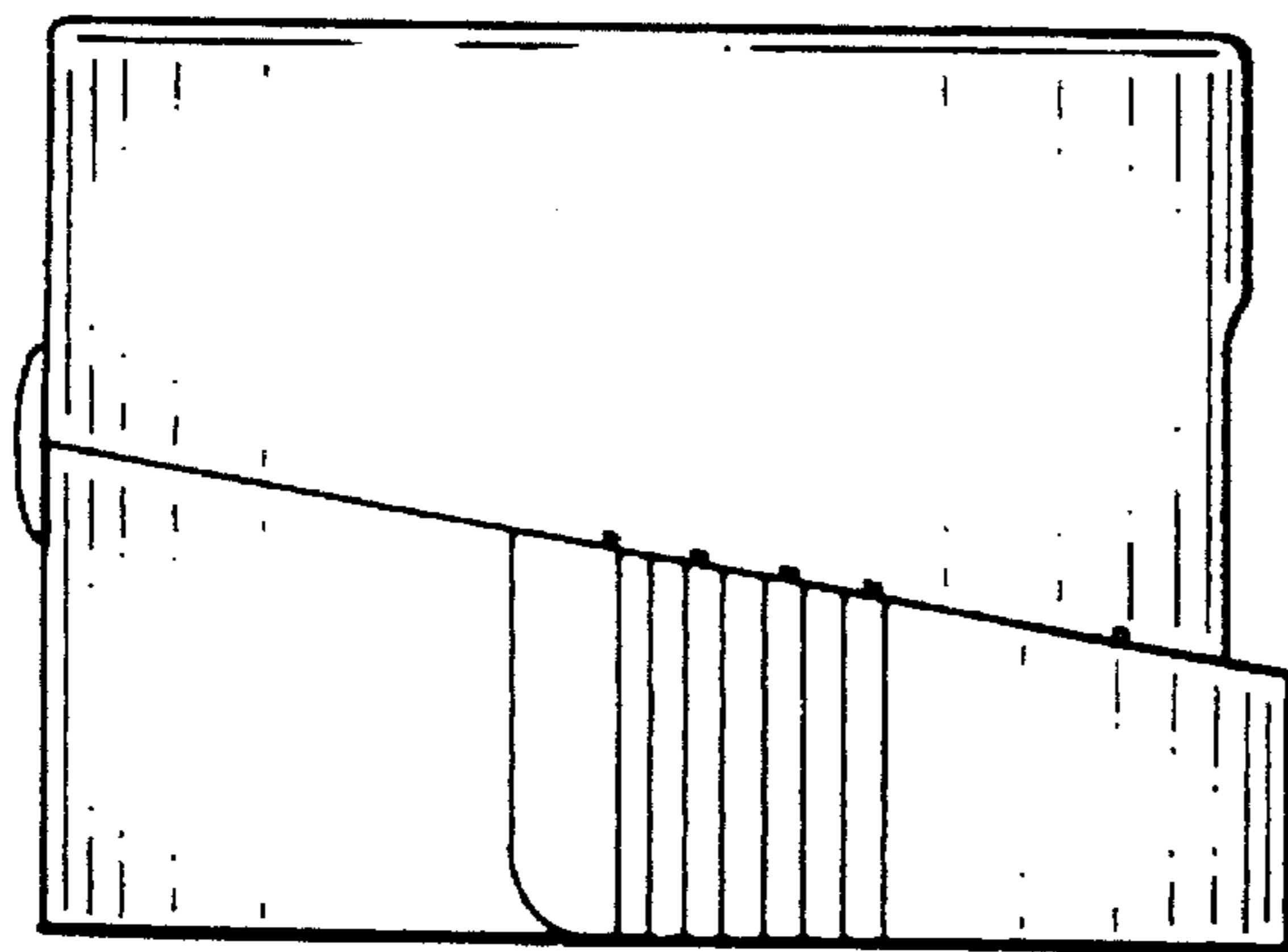
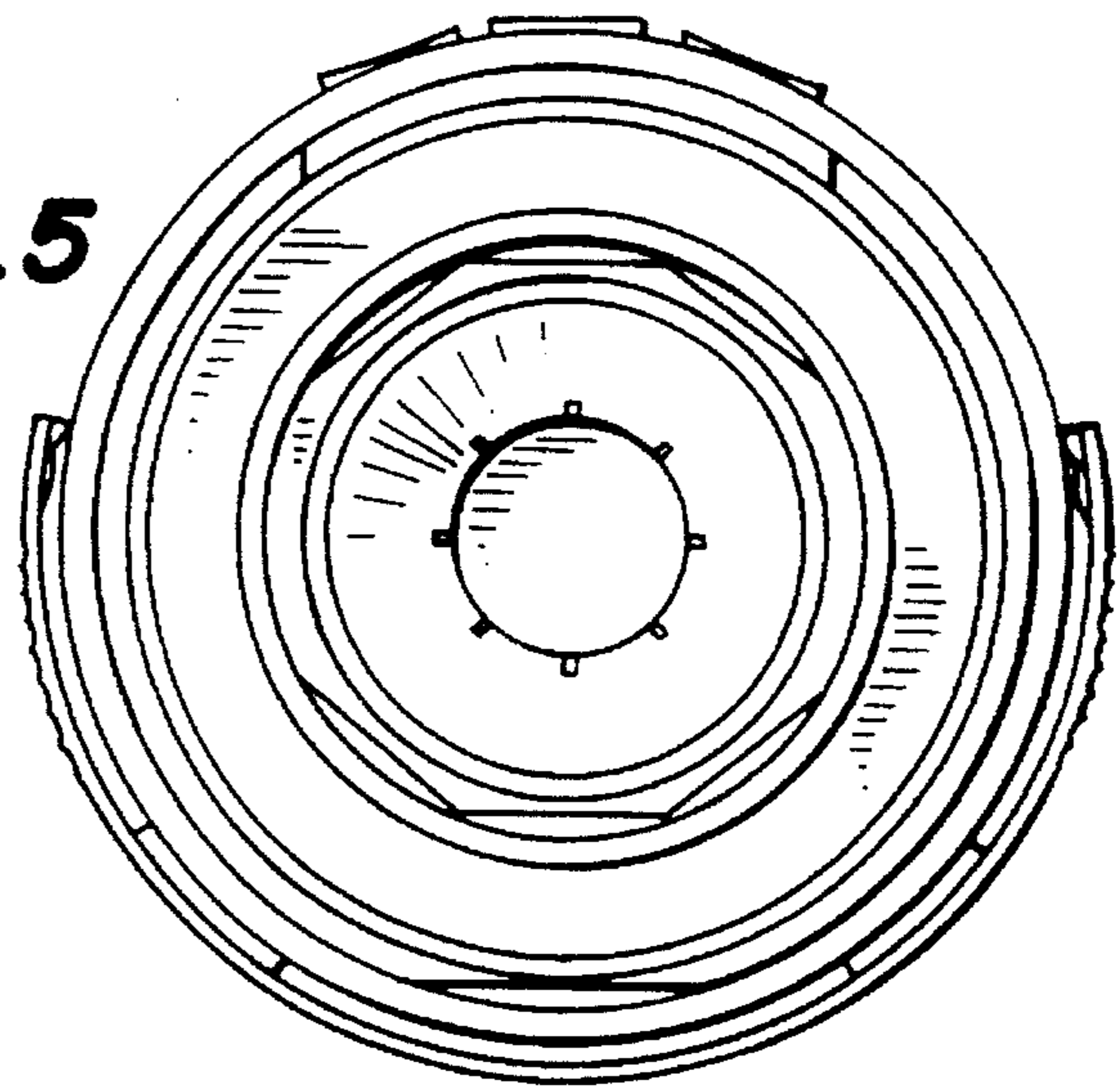


FIG. 6

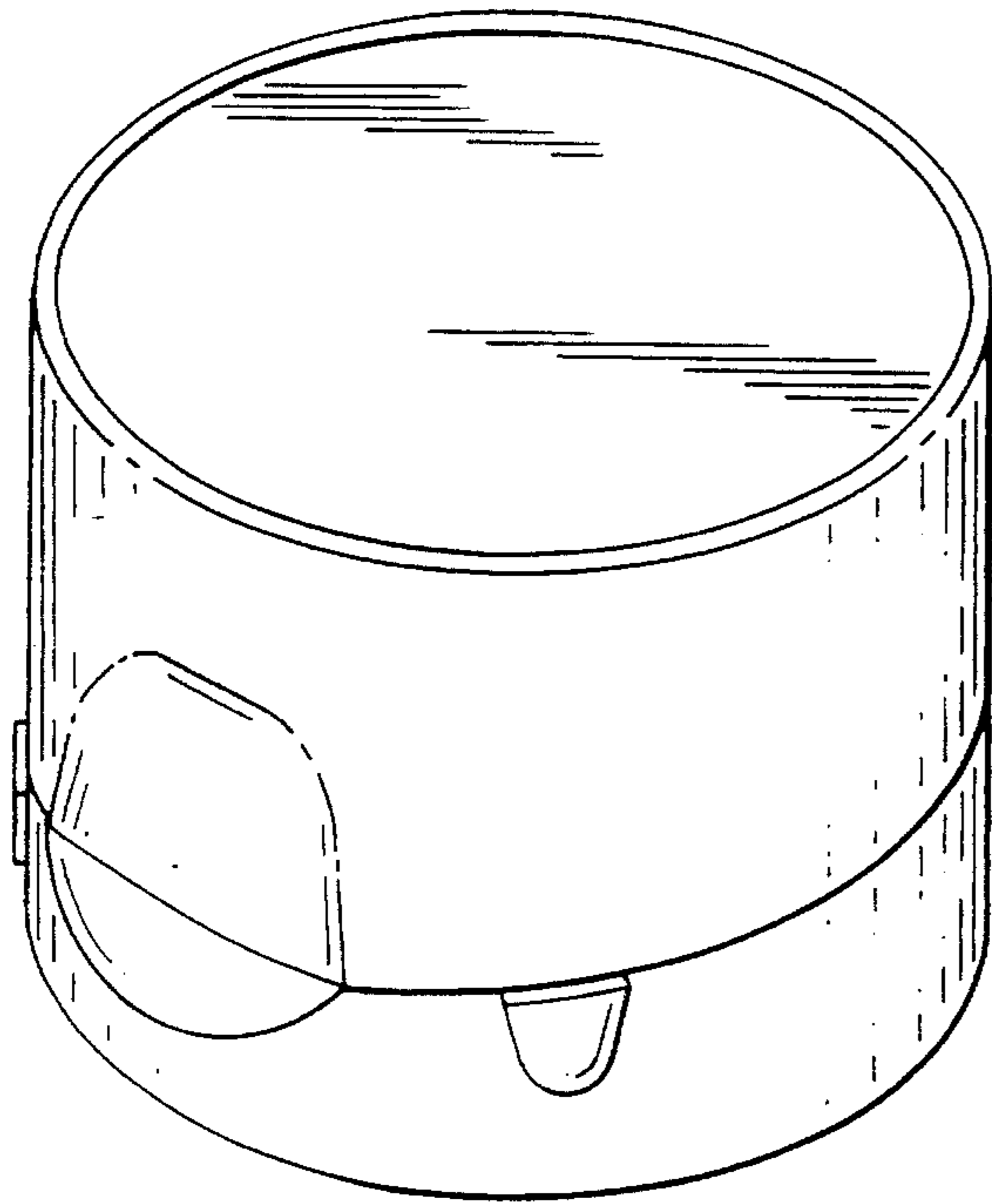


FIG. 7

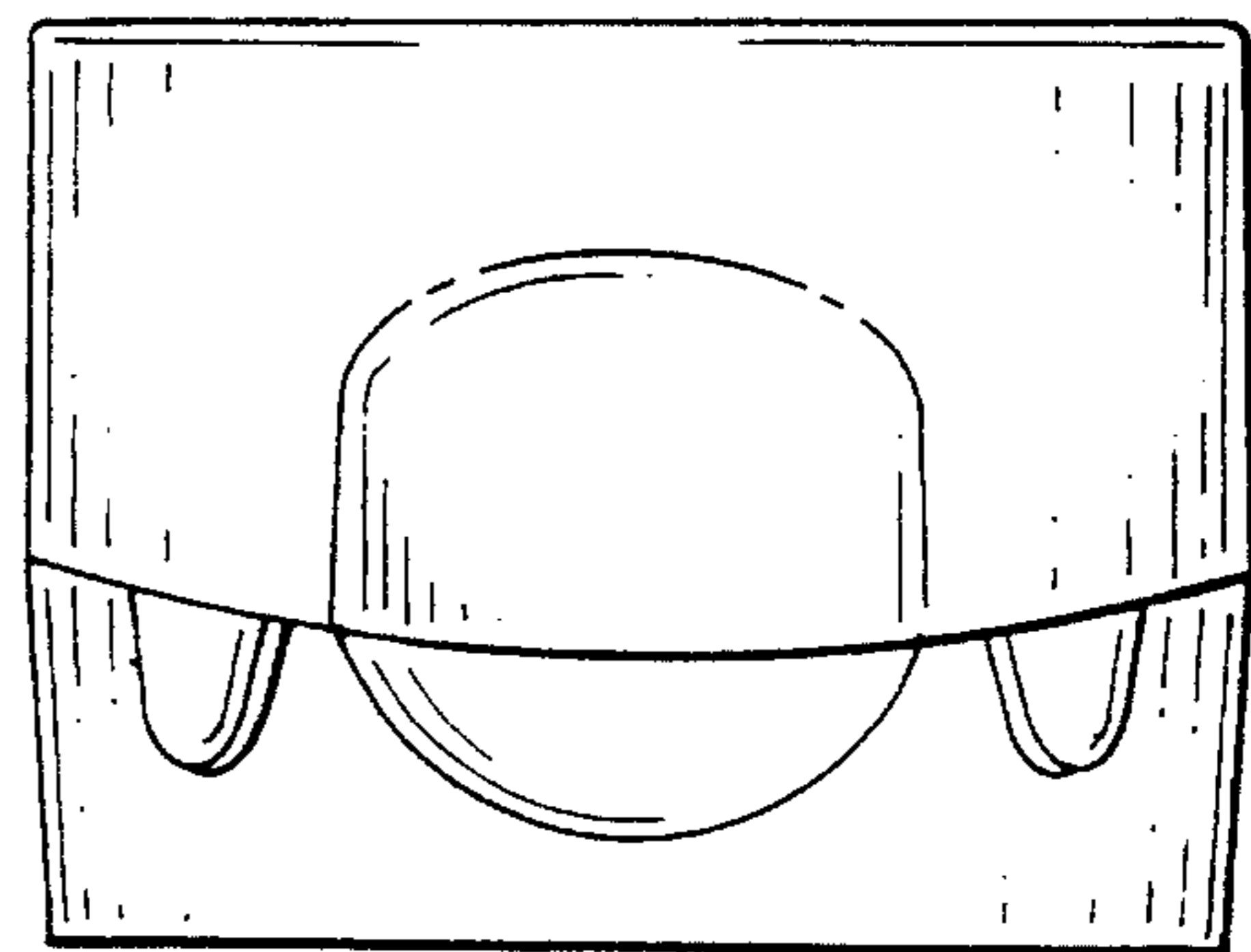


FIG. 8

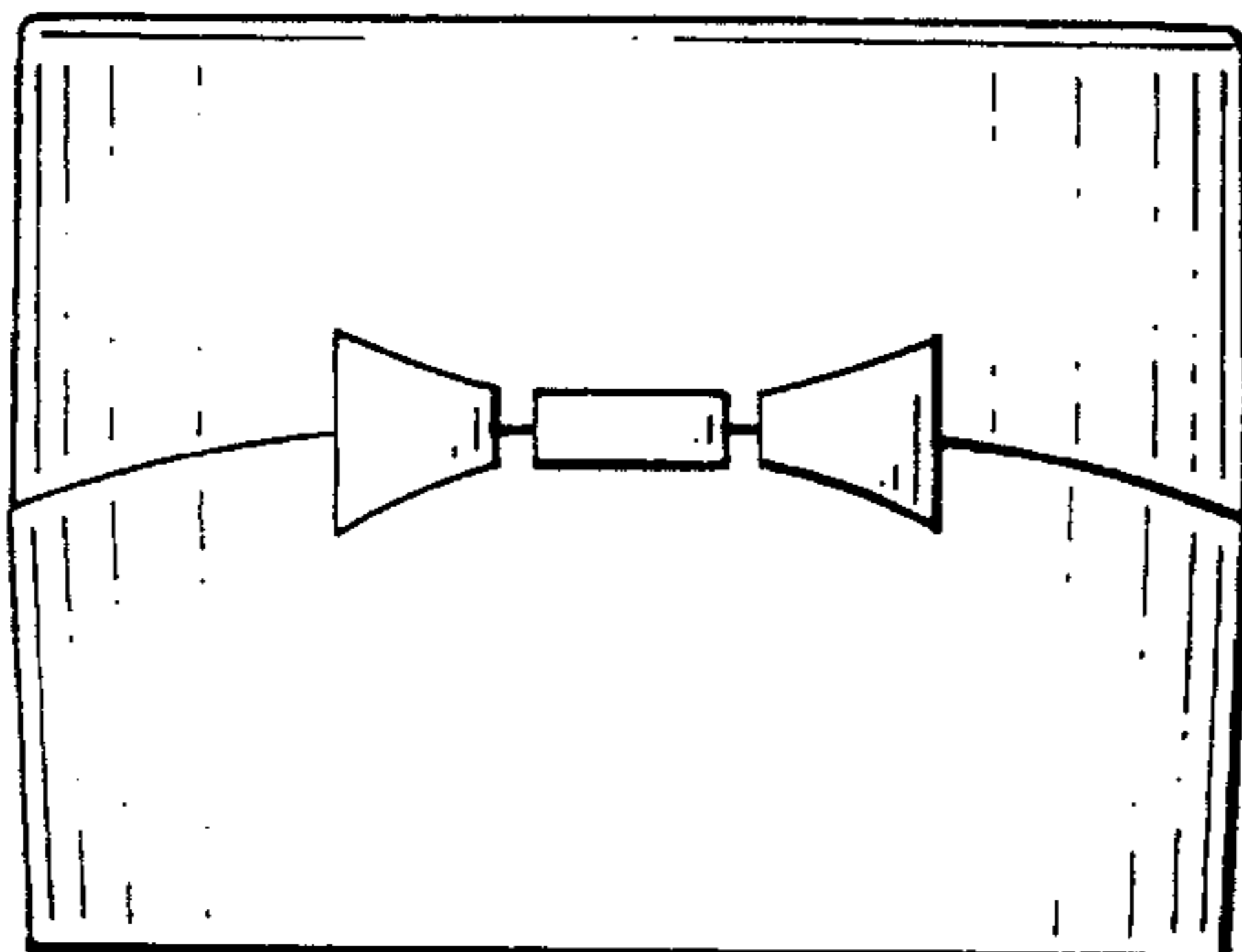


FIG. 9

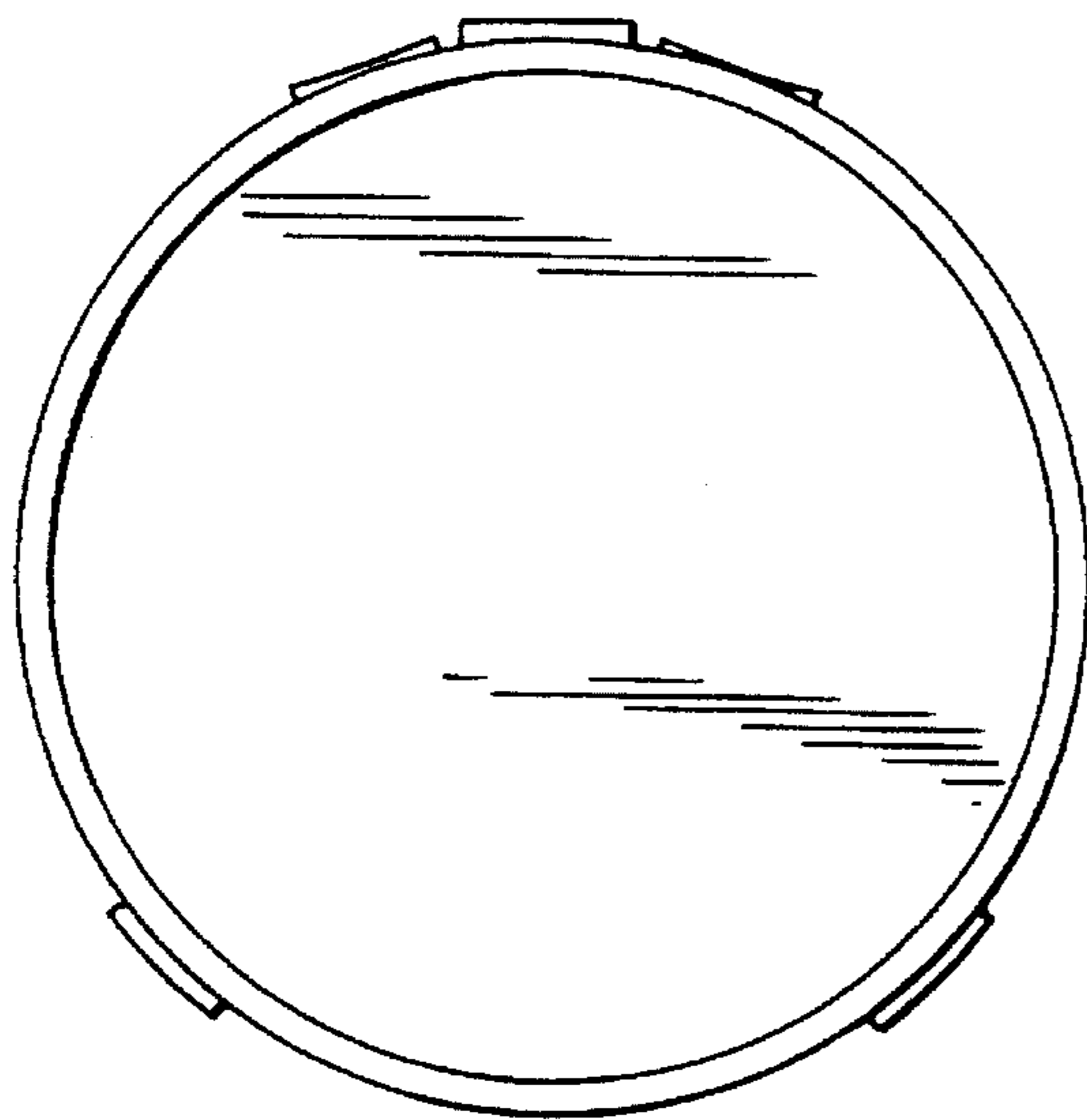


FIG. 10

FIG. 11

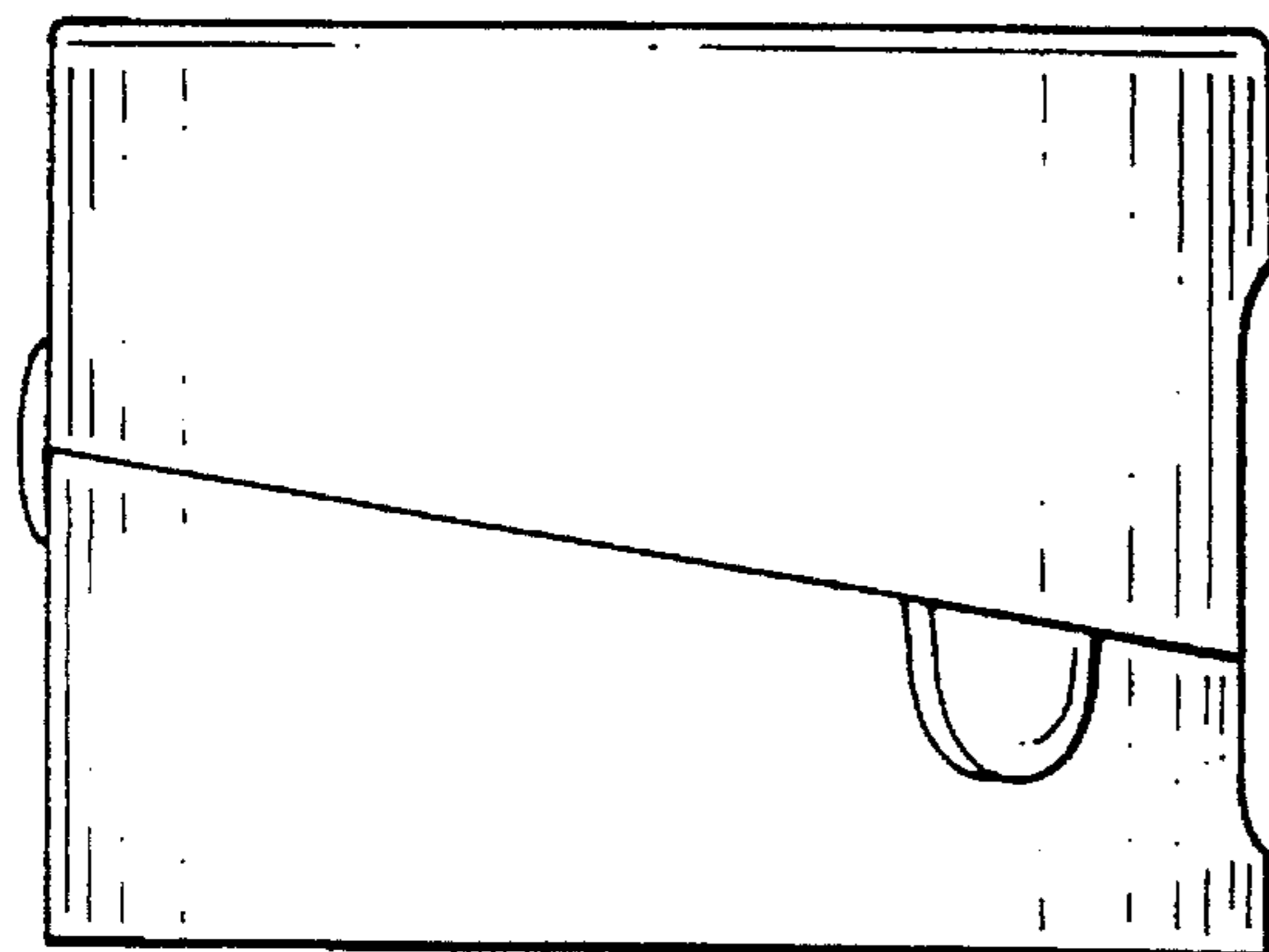
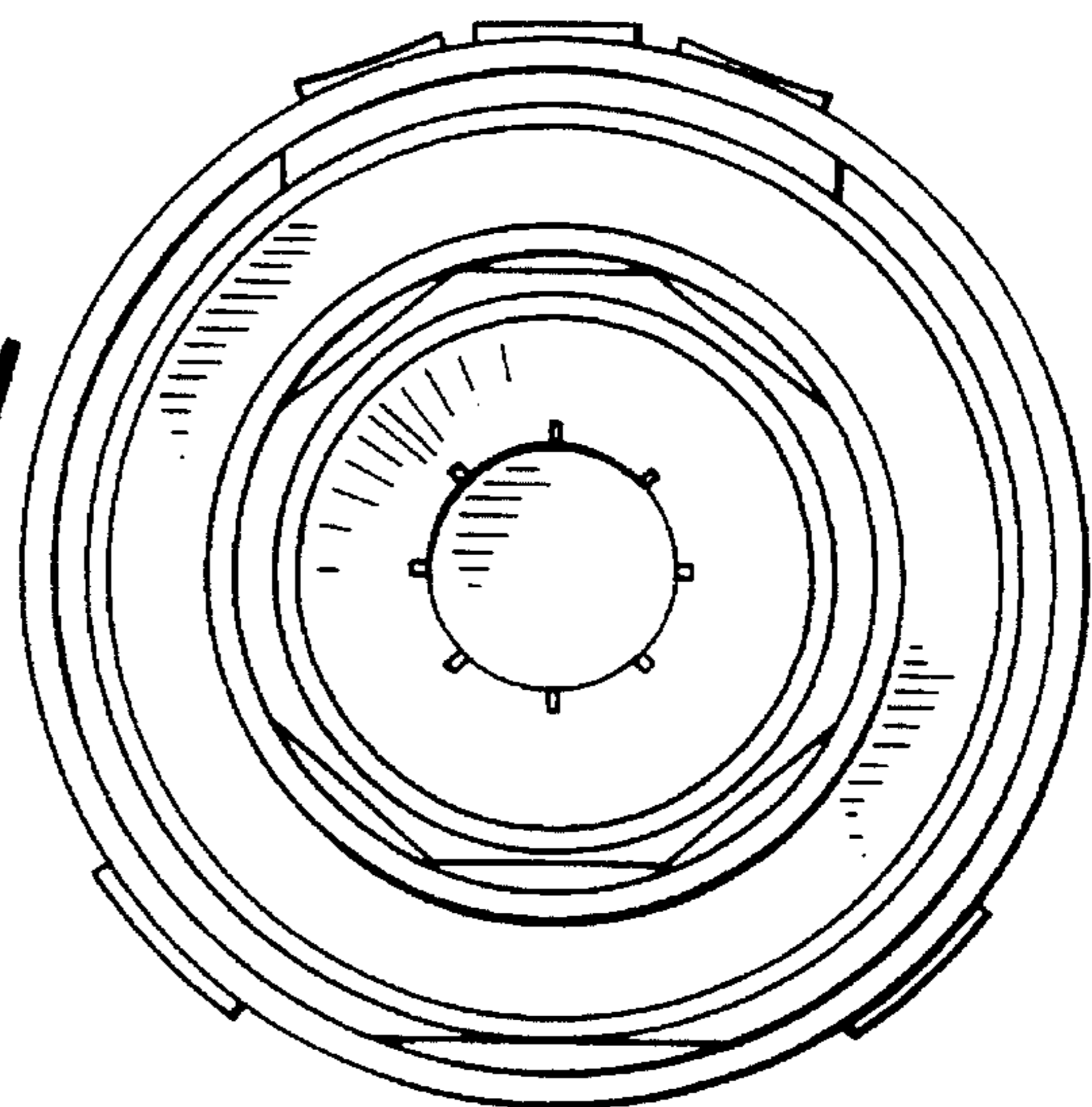


FIG. 12

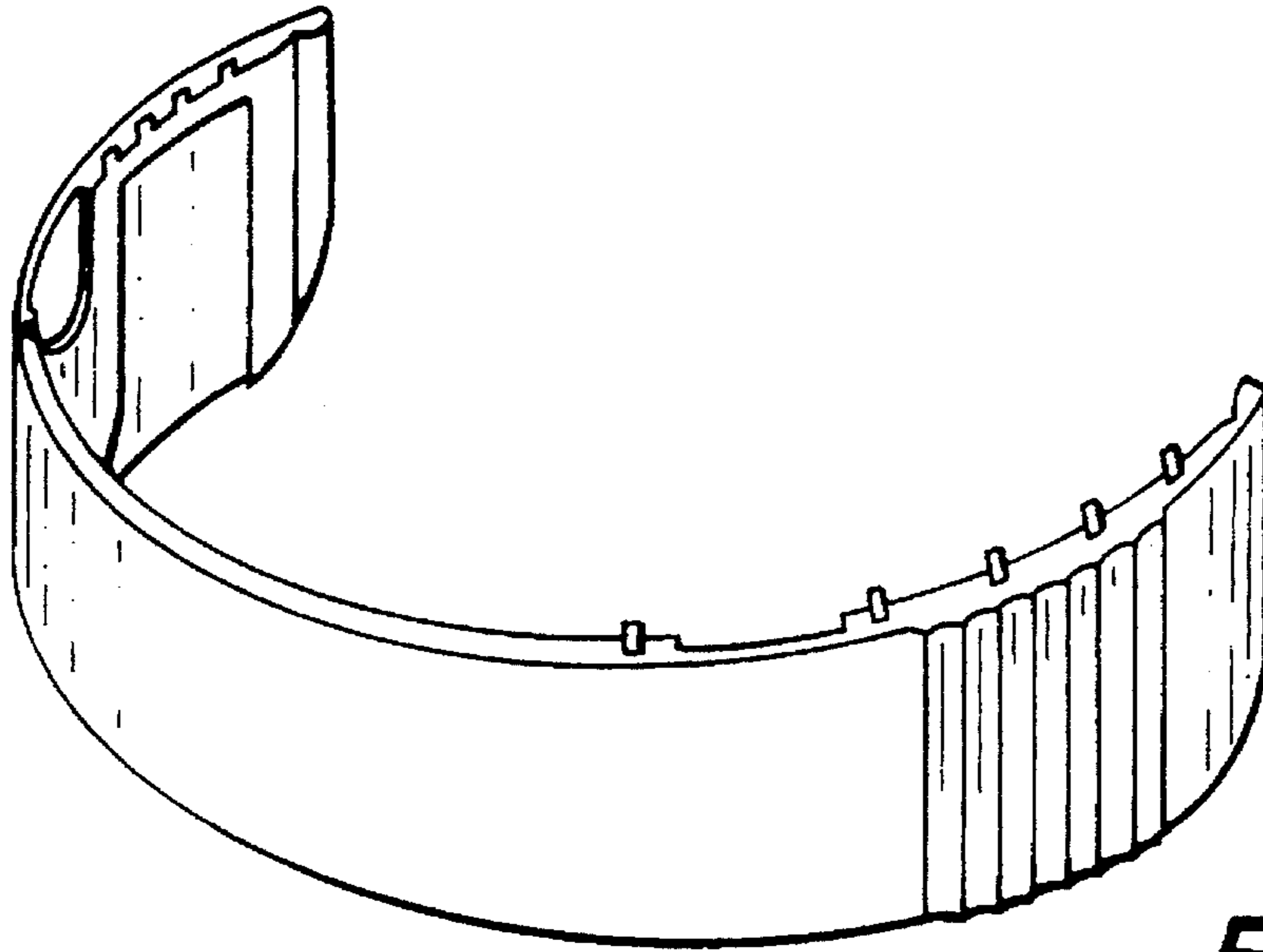


FIG. 13

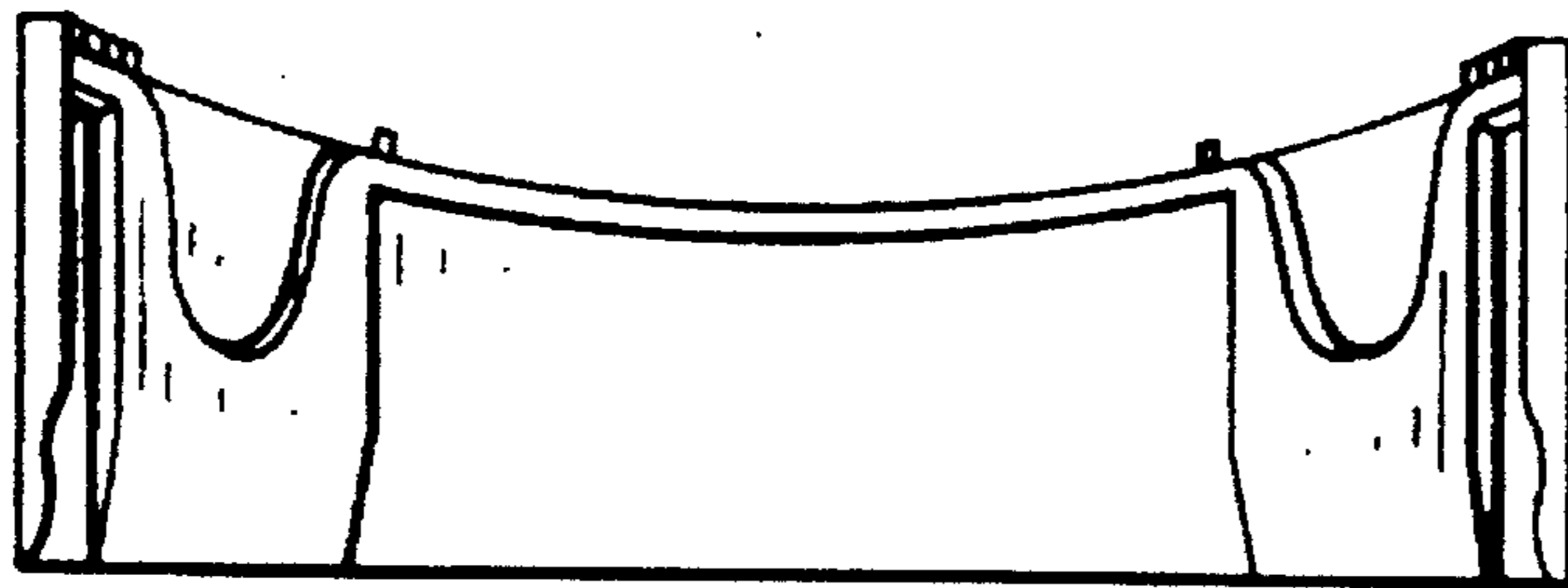


FIG. 14

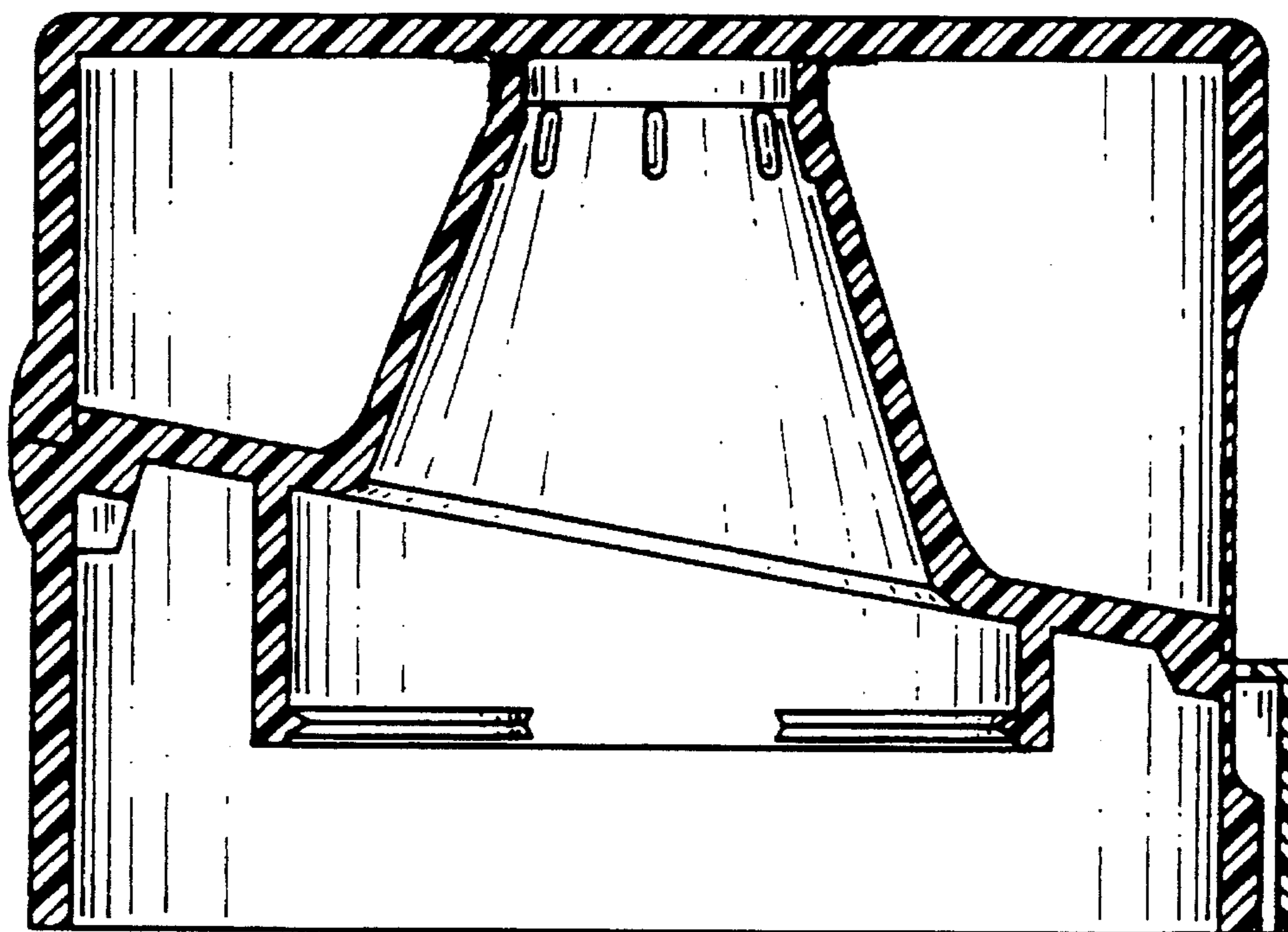


FIG. 15