



US00D370843S

United States Patent [19]
Lluch

[11] **Patent Number: Des. 370,843**
[45] **Date of Patent: **Jun. 18, 1996**

[54] **DISPENSER FOR CONFECTIONS**

D. 359,232 6/1995 Diamond et al. D9/307

[76] Inventor: **Alex A. Lluch**, 5181 Ave. Playa
Cancun, San Diego, Calif. 92124

Primary Examiner—Ted Shooman
Assistant Examiner—Cheri Cohen
Attorney, Agent, or Firm—John R. Duncan; Frank D. Gil-
liam

[**] Term: **14 Years**

[21] Appl. No.: **31,780**

[57] **CLAIM**

[22] Filed: **Dec. 6, 1994**

The ornamental design for a dispenser for confections, as
shown and described.

[52] **U.S. Cl.** **D9/339**

[58] **Field of Search** D9/339, 417, 341;
206/533, 535, 536, 528, 538, 540, 457;
221/24; D7/628, 629

DESCRIPTION

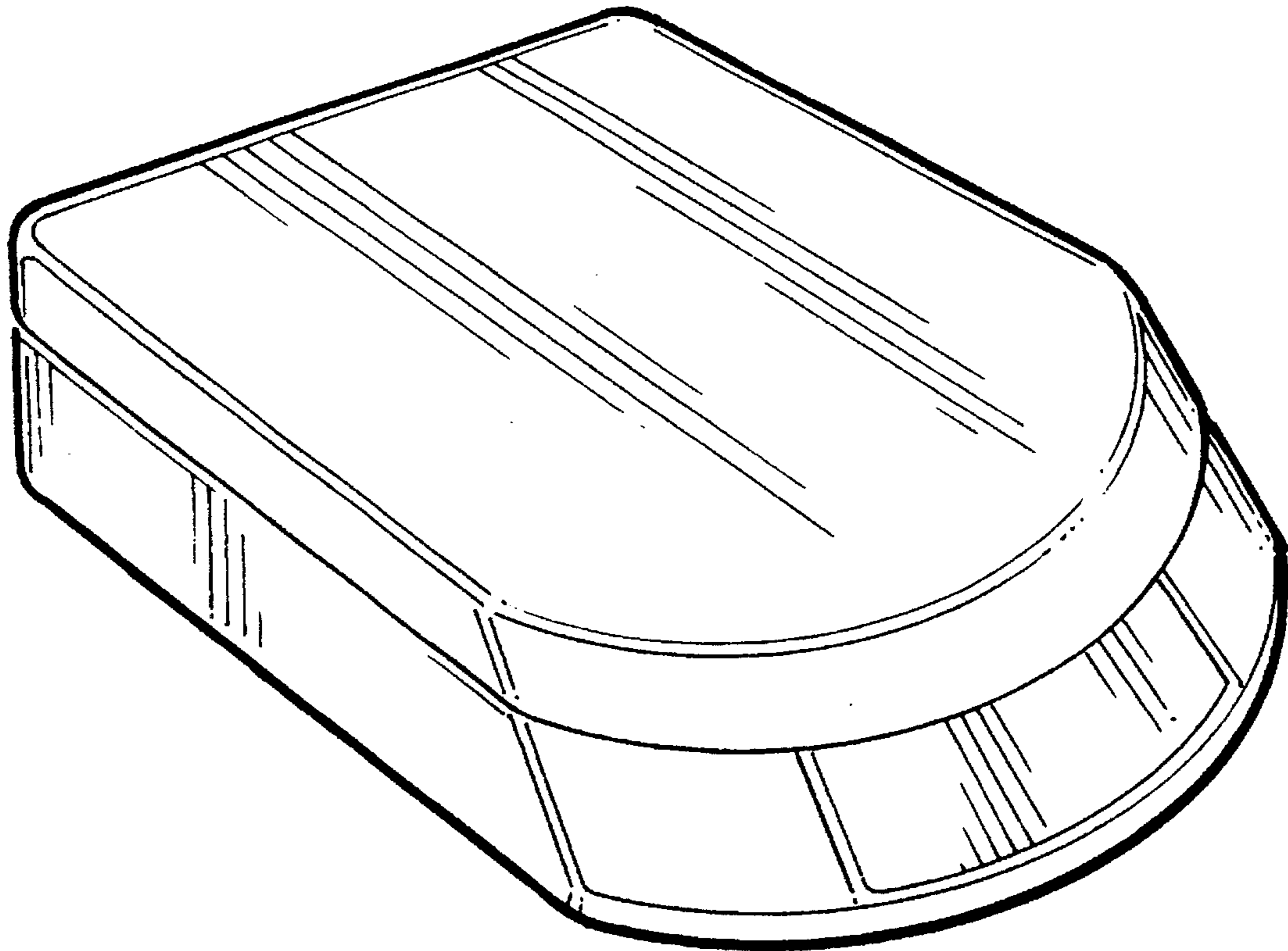
[56] **References Cited**

U.S. PATENT DOCUMENTS

D. 210,316	2/1968	Wolski	D9/339
D. 236,188	8/1975	Gould	D9/417
D. 249,469	9/1978	Russert	D9/423
D. 249,471	9/1978	Stern	D9/423
D. 249,932	10/1978	Russert	D9/417
D. 286,137	10/1986	Huck et al.	D9/339

FIG. 1 is a perspective view of a dispenser for confections
showing my new design;
FIG. 2 is a top plan view thereof;
FIG. 3 is a left side elevation view thereof;
FIG. 4 is a bottom plan view thereof;
FIG. 5 is a front elevation view thereof;
FIG. 6 is a right side elevation view thereof; and,
FIG. 7 is a rear elevation view thereof.

1 Claim, 1 Drawing Sheet



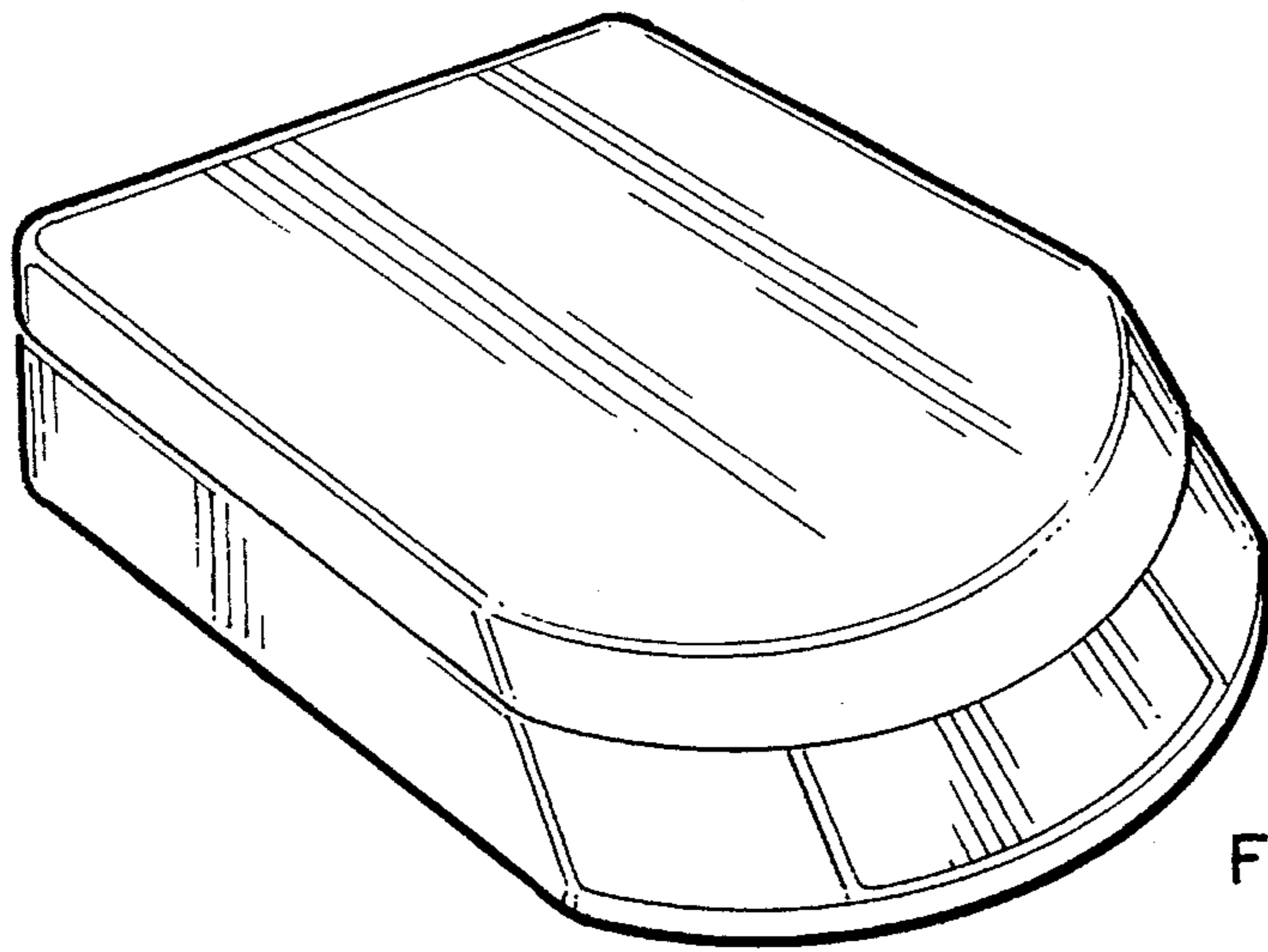


FIGURE 1

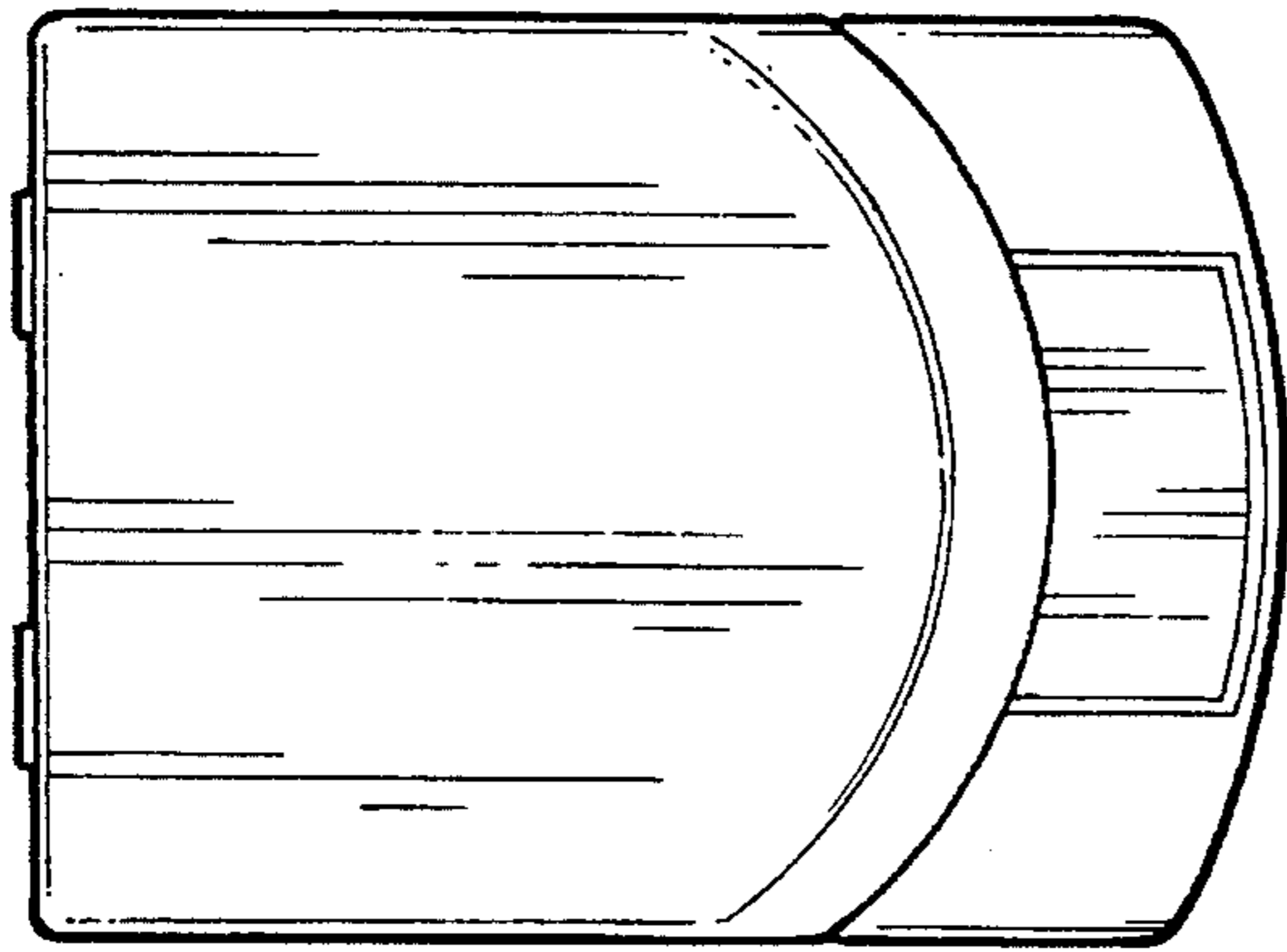


FIGURE 2

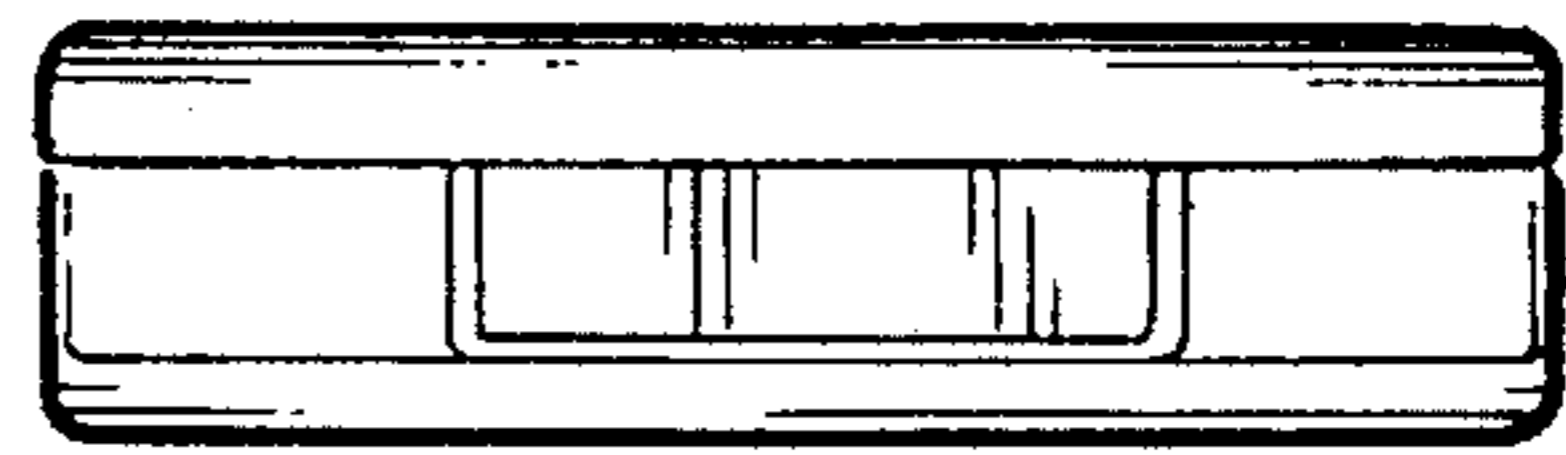


FIGURE 5

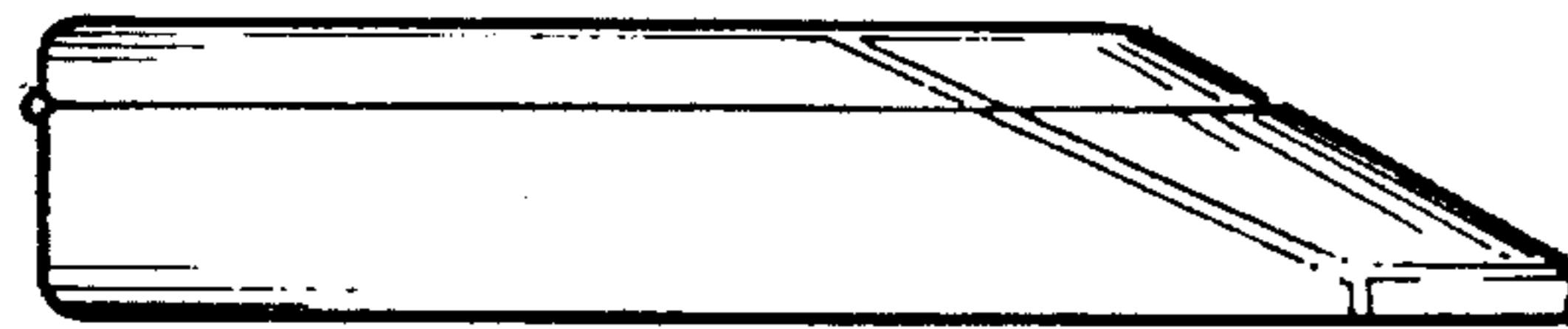


FIGURE 3

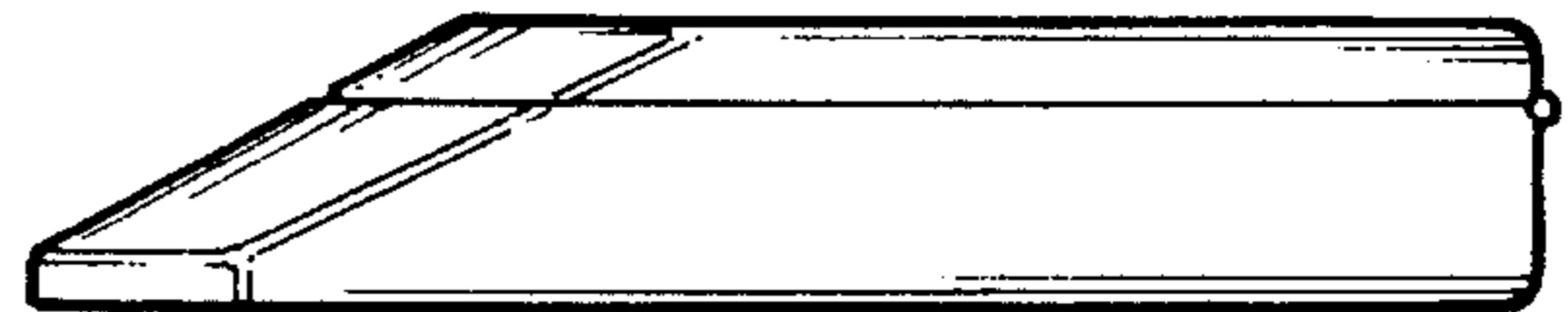


FIGURE 6

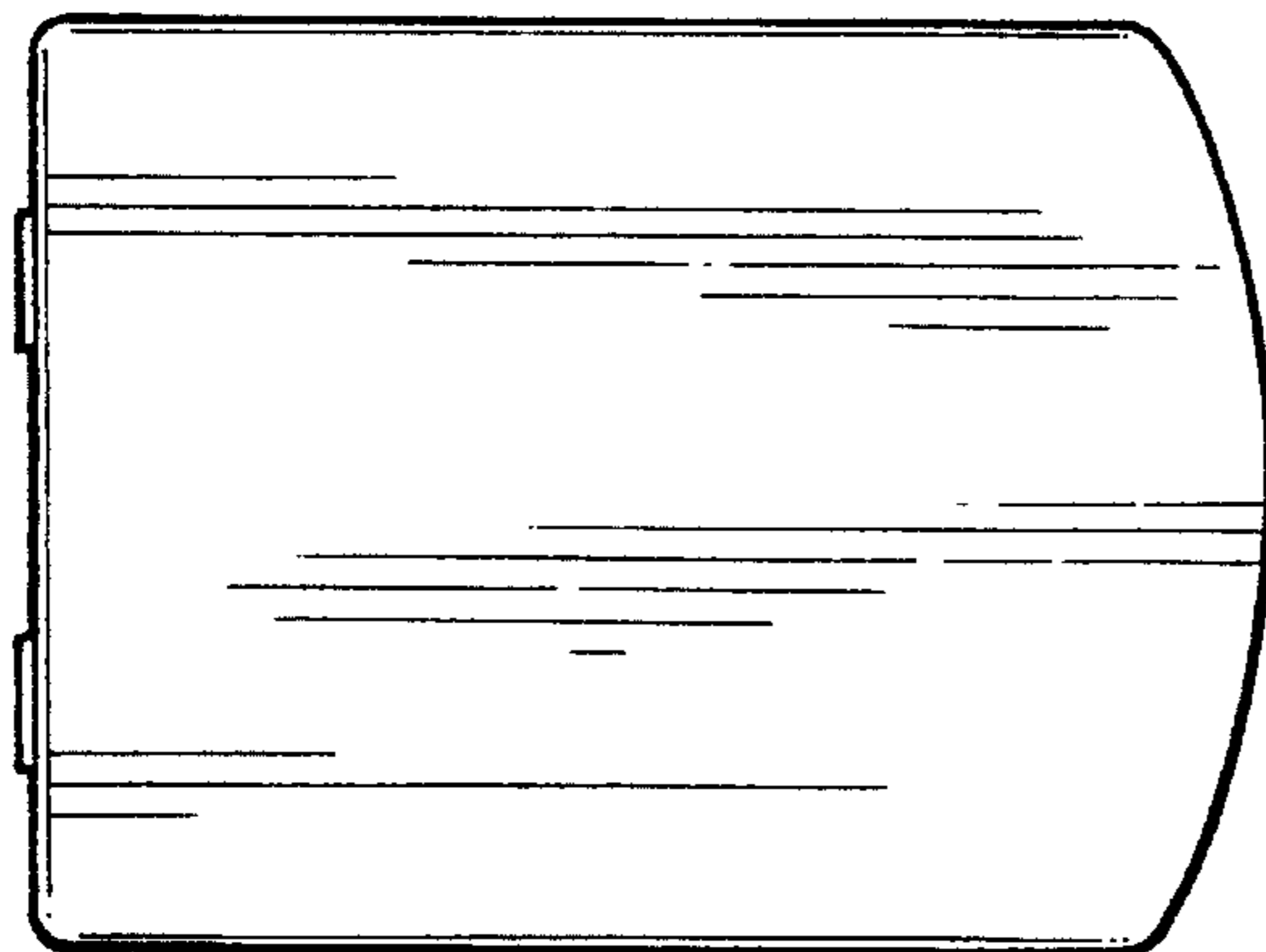


FIGURE 4

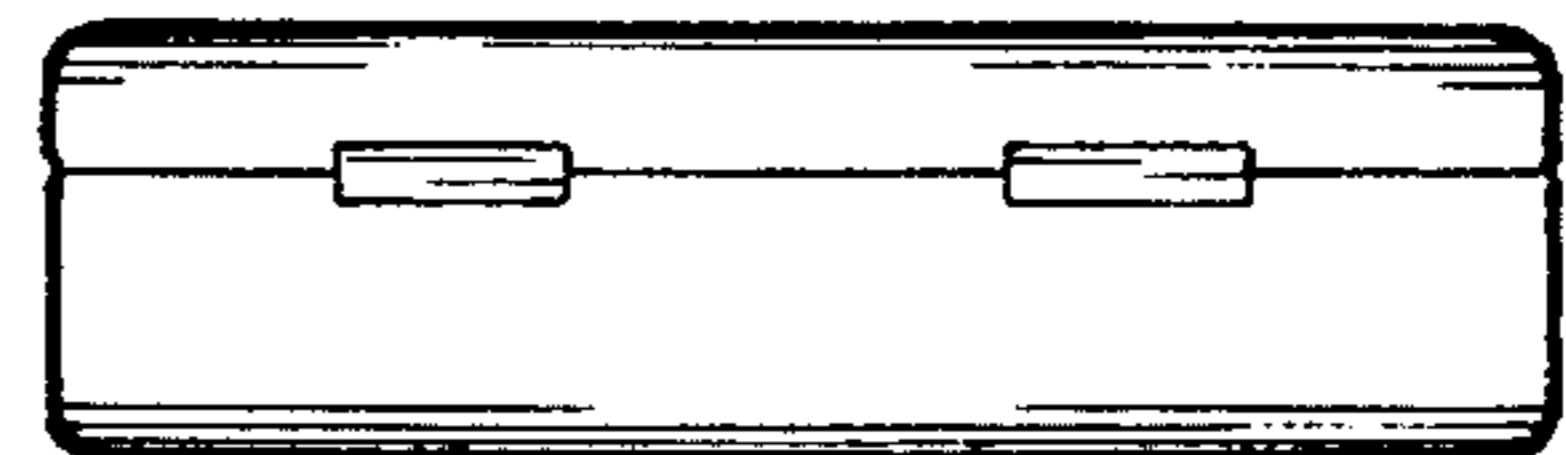


FIGURE 7