



US00D370841S

United States Patent [19]
Gola

[11] **Patent Number: Des. 370,841**
[45] **Date of Patent: **Jun. 18, 1996**

[54] **HOLDER FOR KEEPING A DOWEL IN A DESIRED POSITION**

207602 3/1909 Germany 248/519

[76] Inventor: **Fred J. Gola**, 2214-A Lavern,
Arlington, Tex. 76013

Primary Examiner—Lucy Lieberman
Attorney, Agent, or Firm—Charles W. McHugh

[**] Term: **14 Years**

[57] **CLAIM**

[21] Appl. No.: **24,373**

The ornamental design for a holder for keeping a dowel in a desired position, as shown and described.

[22] Filed: **Jun. 13, 1994**

DESCRIPTION

[52] U.S. Cl. **D8/354**

[58] **Field of Search** D8/382, 354, 394,
D8/395, 396, 349, 373, 382; 248/519, 511;
D32/63; 206/423

FIG. 1 is a perspective view (as seen from the bottom) of the "holder for keeping a dowel in a desired position," showing my new design;

FIG. 2 is a front elevational view thereof;

FIG. 3 is a right side elevational view thereof;

FIG. 4 is a top plan view thereof;

FIG. 5 is a rear elevational view thereof;

FIG. 6 is a left side elevational view thereof;

FIG. 7 is a bottom plan view thereof; and,

FIG. 8 is a cross-sectional view thereof, taken in the plane represented by lines 8—8 in FIG. 5.

[56] **References Cited**

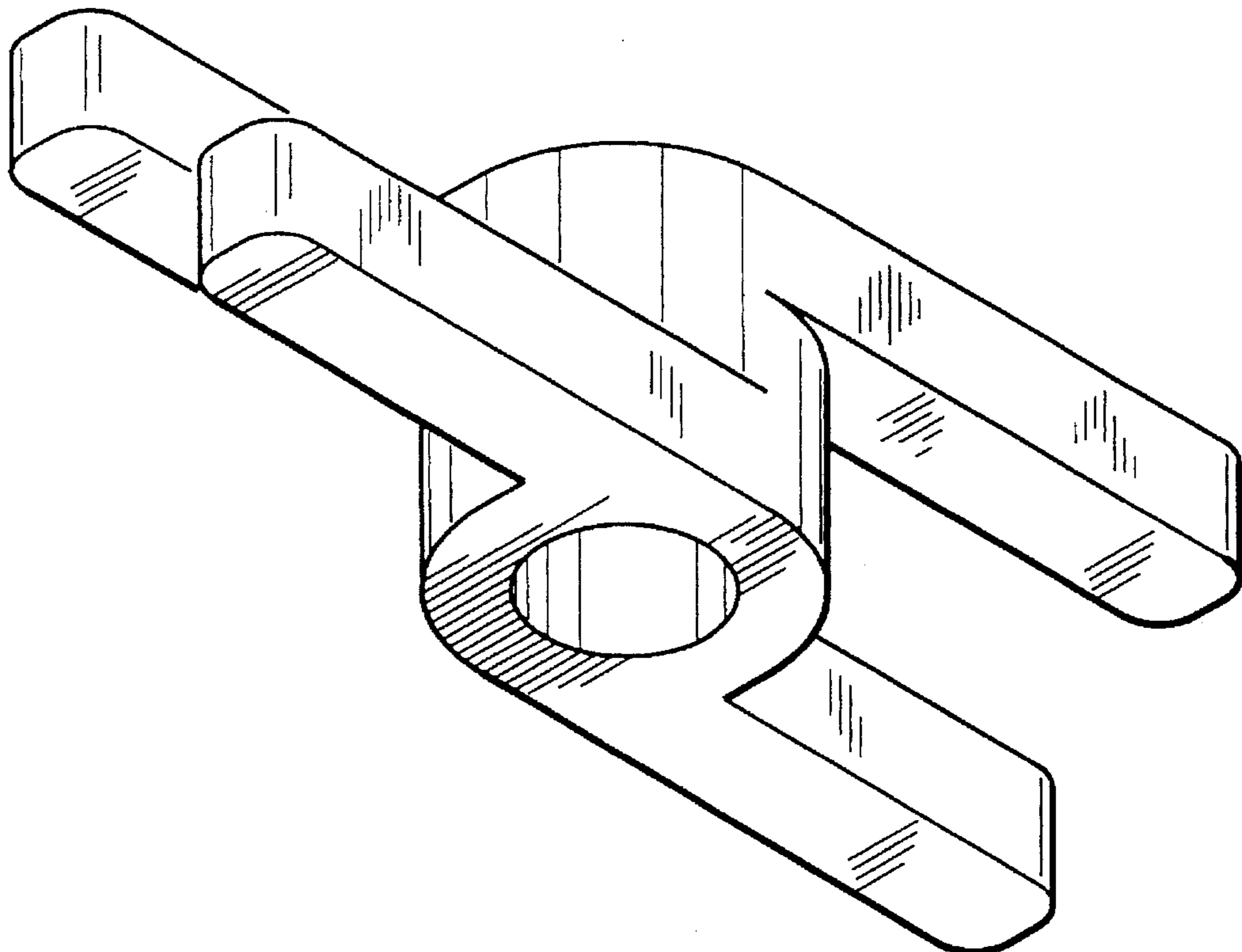
U.S. PATENT DOCUMENTS

D. 167,979	10/1952	Harlan	D32/63
D. 235,133	5/1975	Armstrong	D8/354
D. 299,112	12/1988	Downey	D8/354
D. 325,866	5/1992	Gary	D8/354
3,623,685	11/1971	Thomson	248/511

FOREIGN PATENT DOCUMENTS

189964	10/1907	Germany	248/219
--------	---------	---------	-------	---------

1 Claim, 1 Drawing Sheet



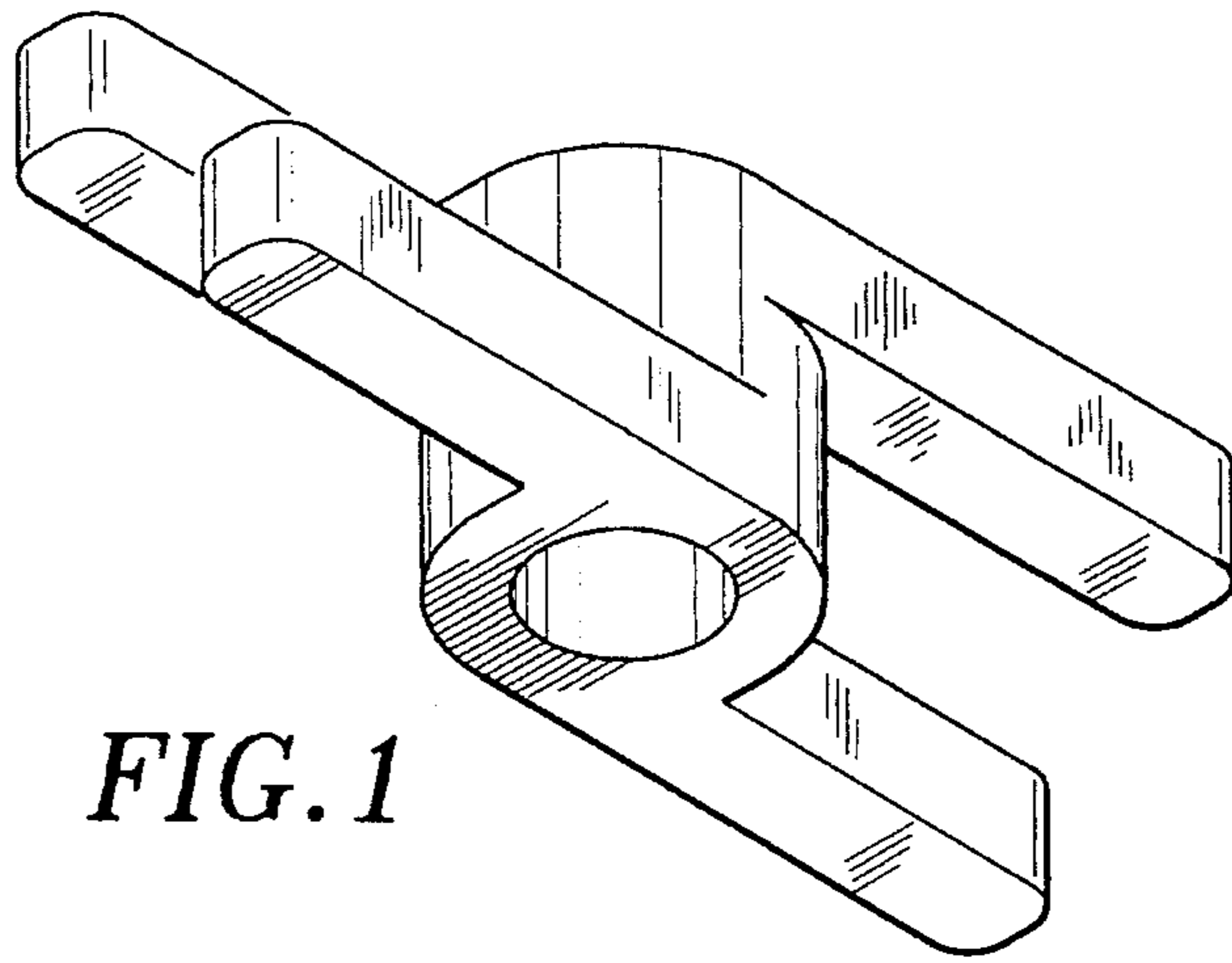


FIG. 1

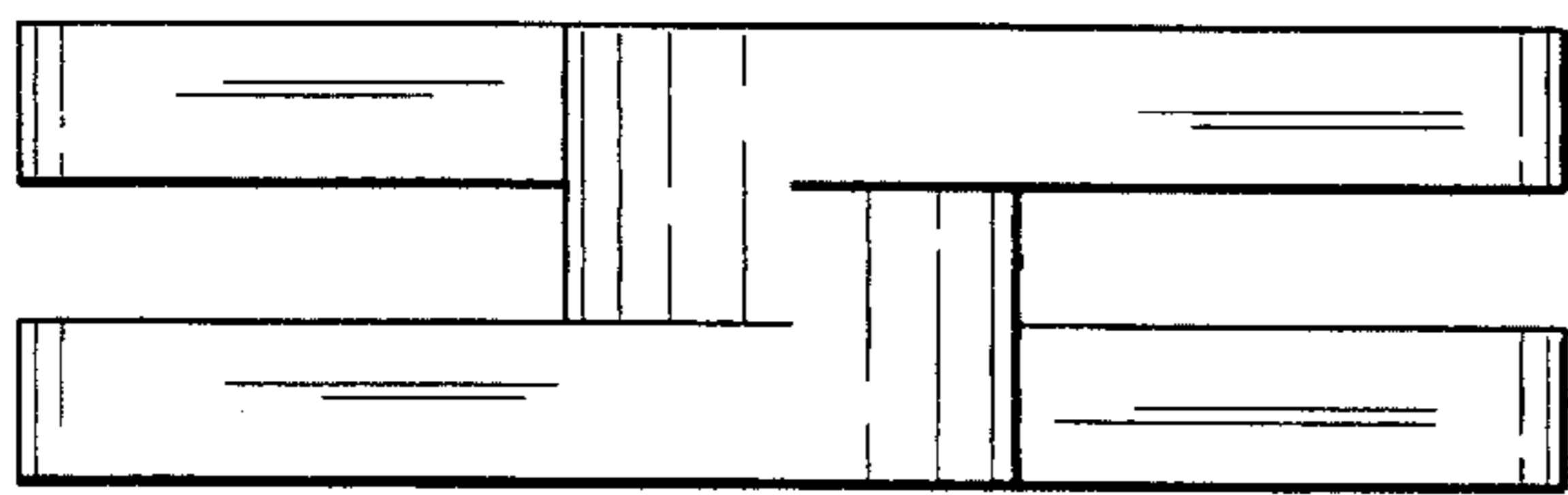


FIG. 2

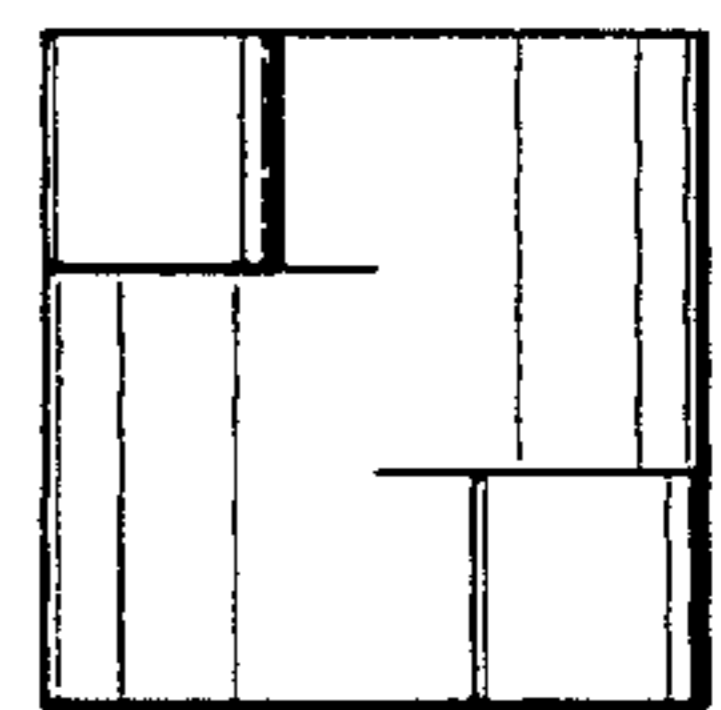


FIG. 3

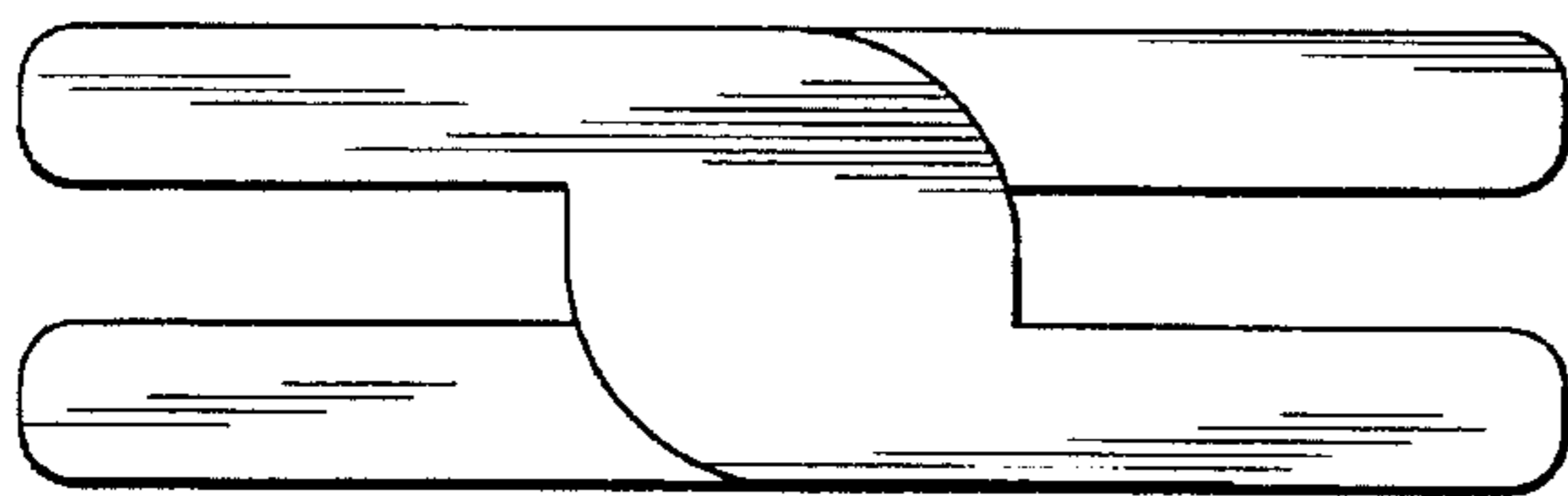


FIG. 4

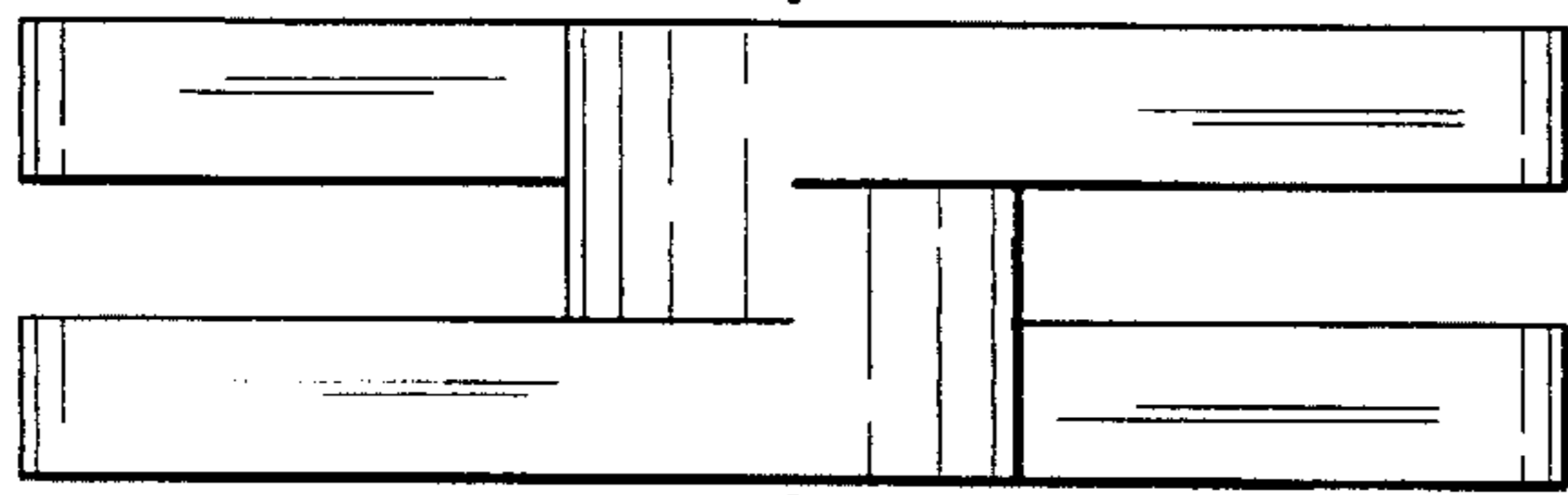


FIG. 5

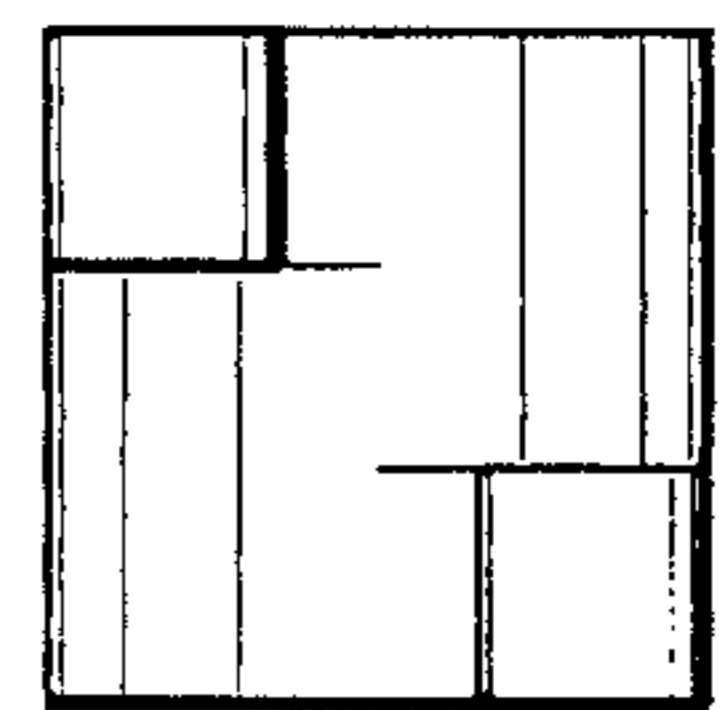


FIG. 6

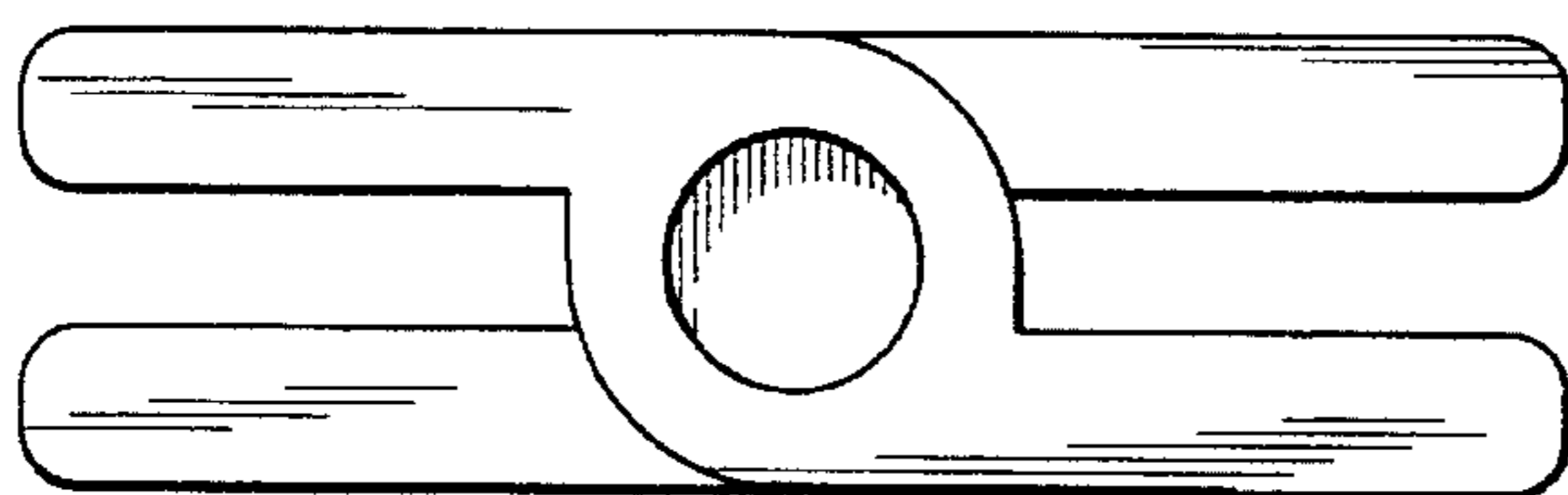


FIG. 7

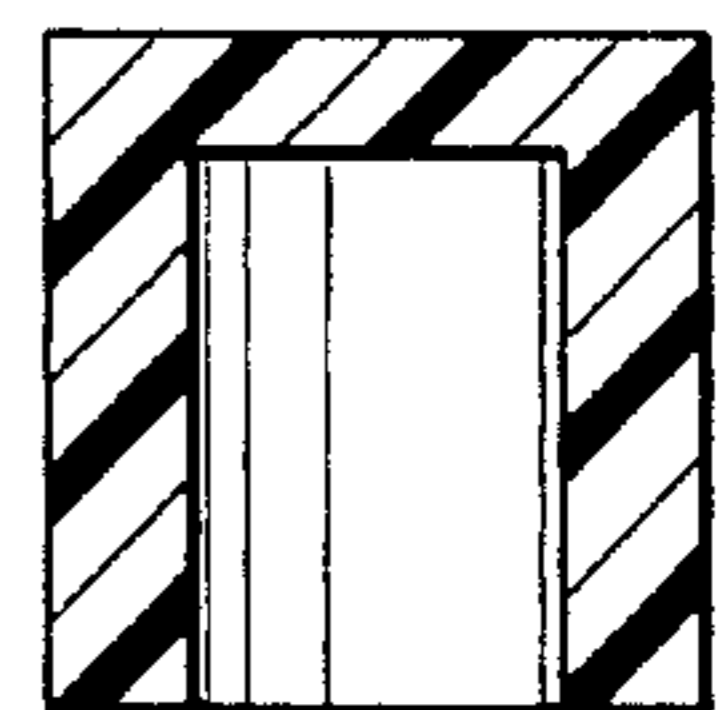


FIG. 8