



US00D370839S

United States Patent [19]

Harris et al.

[11] Patent Number: **Des. 370,839**

[45] Date of Patent: ****Jun. 18, 1996**

[54] **HINGE COMPONENT EXTRUSION**

[76] Inventors: **Patrick W. Harris; Maureen A. Harris**, both of c/- Gentech Services, 7 Killick Street, Kunda Park, Queensland, 4556, Australia

[**] Term: **14 Years**

[21] Appl. No.: **34,560**

[22] Filed: **Feb. 7, 1995**

[52] U.S. Cl. **D8/323; D25/119**

[58] **Field of Search** D8/323-329, 377, D8/376, 354, 382; D25/119, 125, 164, 136; 16/386-7, 374, 355, 265-267, 271, 221, 57.4 R, 90, 94 R, 96 R; 160/201, 133, 235, 290.1; 43/384, 399

[56] **References Cited**

U.S. PATENT DOCUMENTS

- D. 219,732 1/1971 van den Broek D25/125
- D. 220,757 5/1971 Smith D25/119
- D. 251,445 3/1979 Bancroft et al. D25/119
- D. 270,289 8/1983 Smith D25/119
- D. 273,609 4/1984 Huffington, Jr. D25/119 X

- D. 283,296 4/1986 Bancroft D25/119 X
- D. 363,132 10/1995 Simon D25/119
- 5,372,175 12/1994 Calhoun et al. 16/265 X

FOREIGN PATENT DOCUMENTS

- 1046295 12/1958 Germany 160/235
- 302088 10/1954 Switzerland 160/235

Primary Examiner—Ted Shooman
Assistant Examiner—C. Tuttle
Attorney, Agent, or Firm—Abelman, Frayne & Schwab

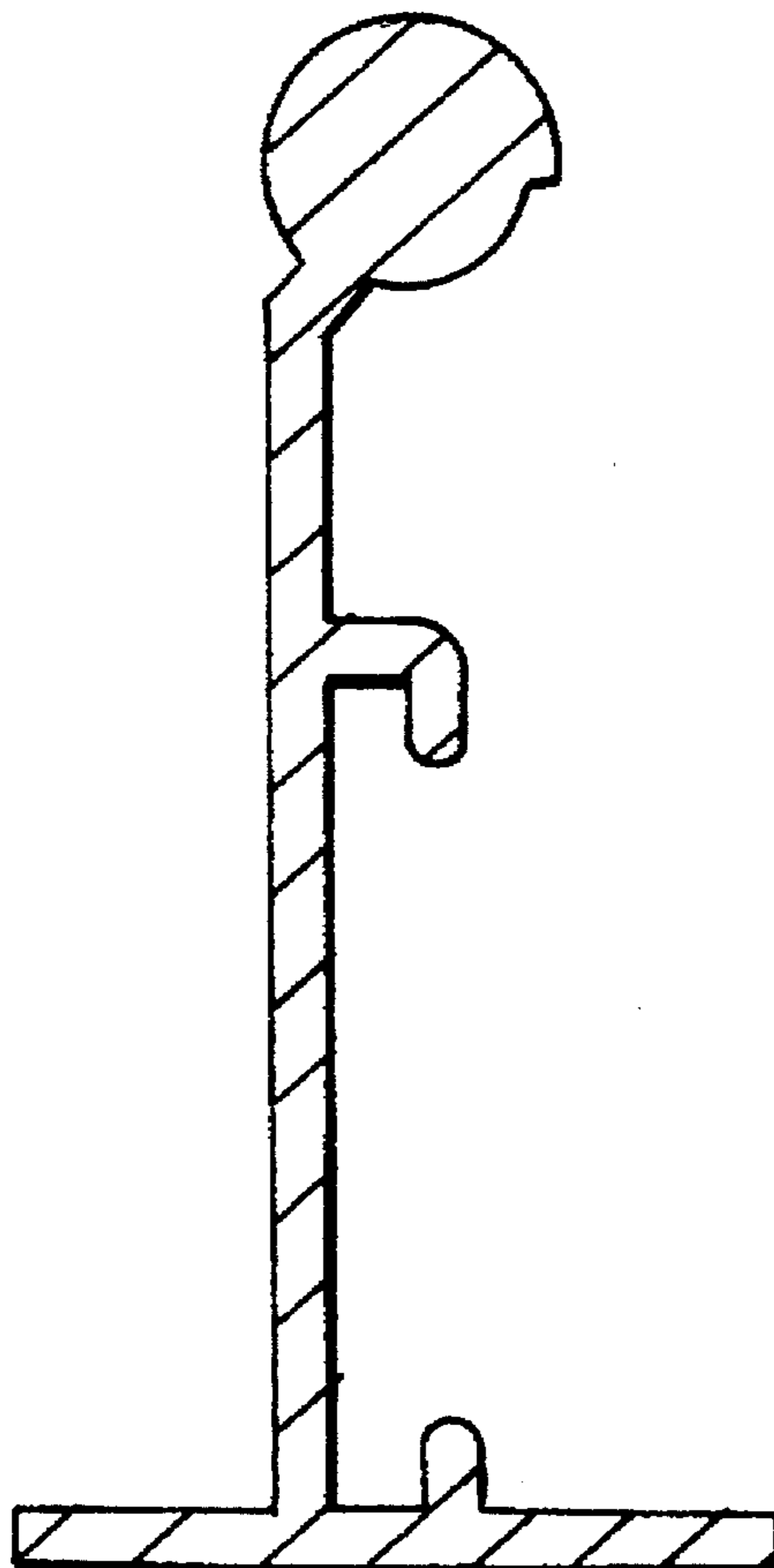
[57] **CLAIM**

The ornamental design for a hinge component extrusion, as shown and described.

DESCRIPTION

FIG. 1 is a cross sectional view of our new design, taken along line 1—1 of FIG. 3;
FIG. 2 is a top front perspective view of our design, the fragmentarily shown far end thereof continuing for an indeterminate length within the area bounded by the broken lines; and,
FIG. 3 is a fragmentary rear elevational view of our design.

1 Claim, 1 Drawing Sheet



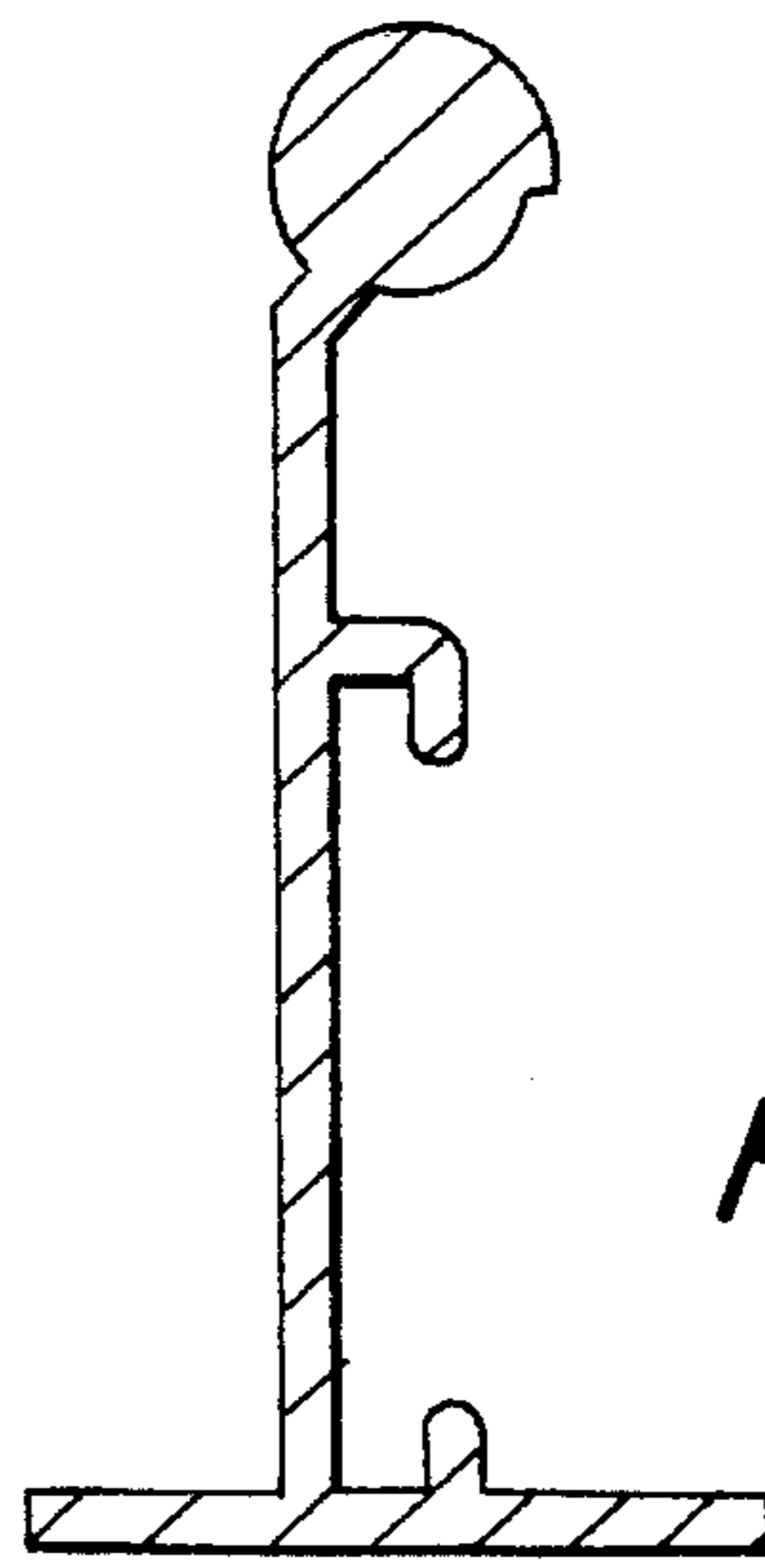


FIG. 1

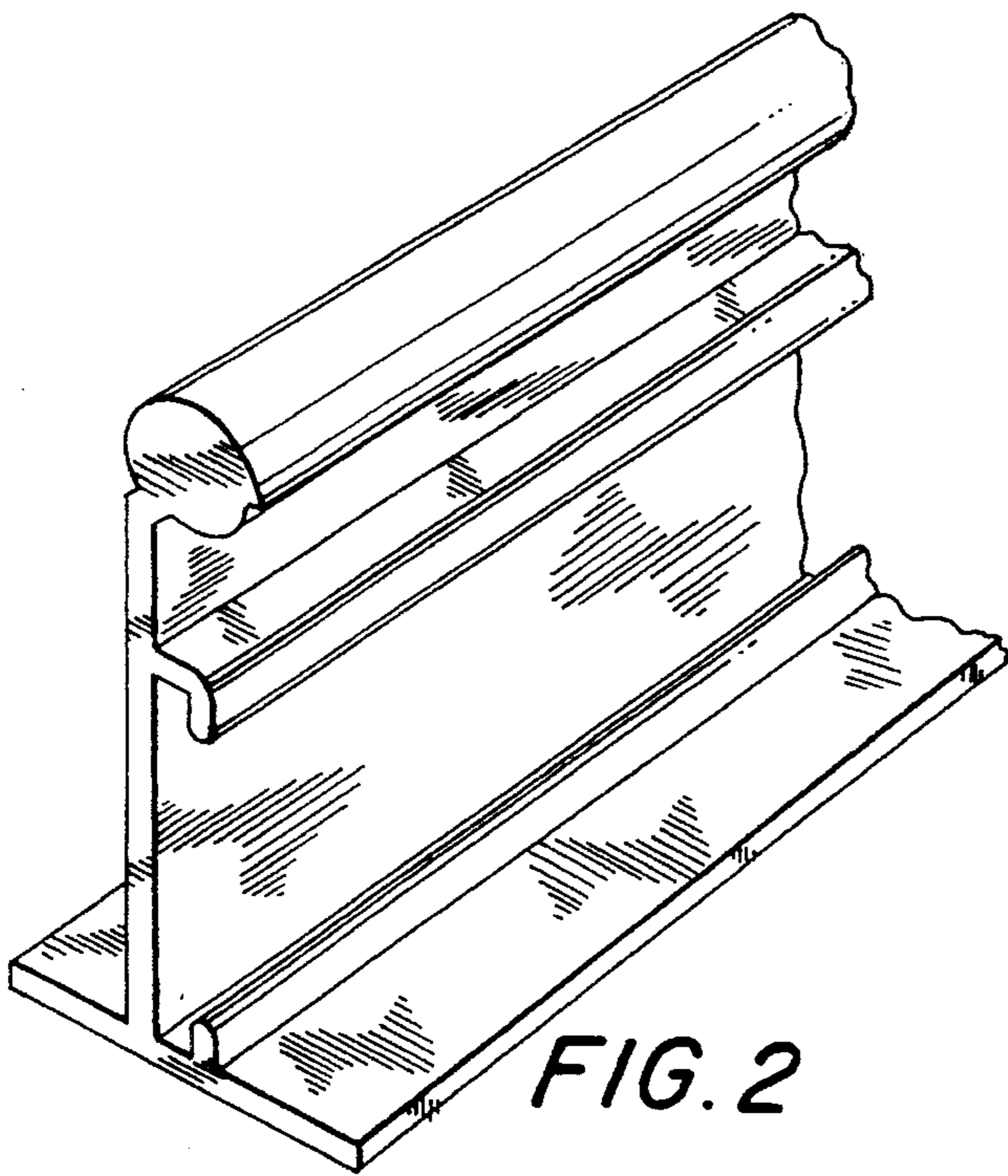


FIG. 2

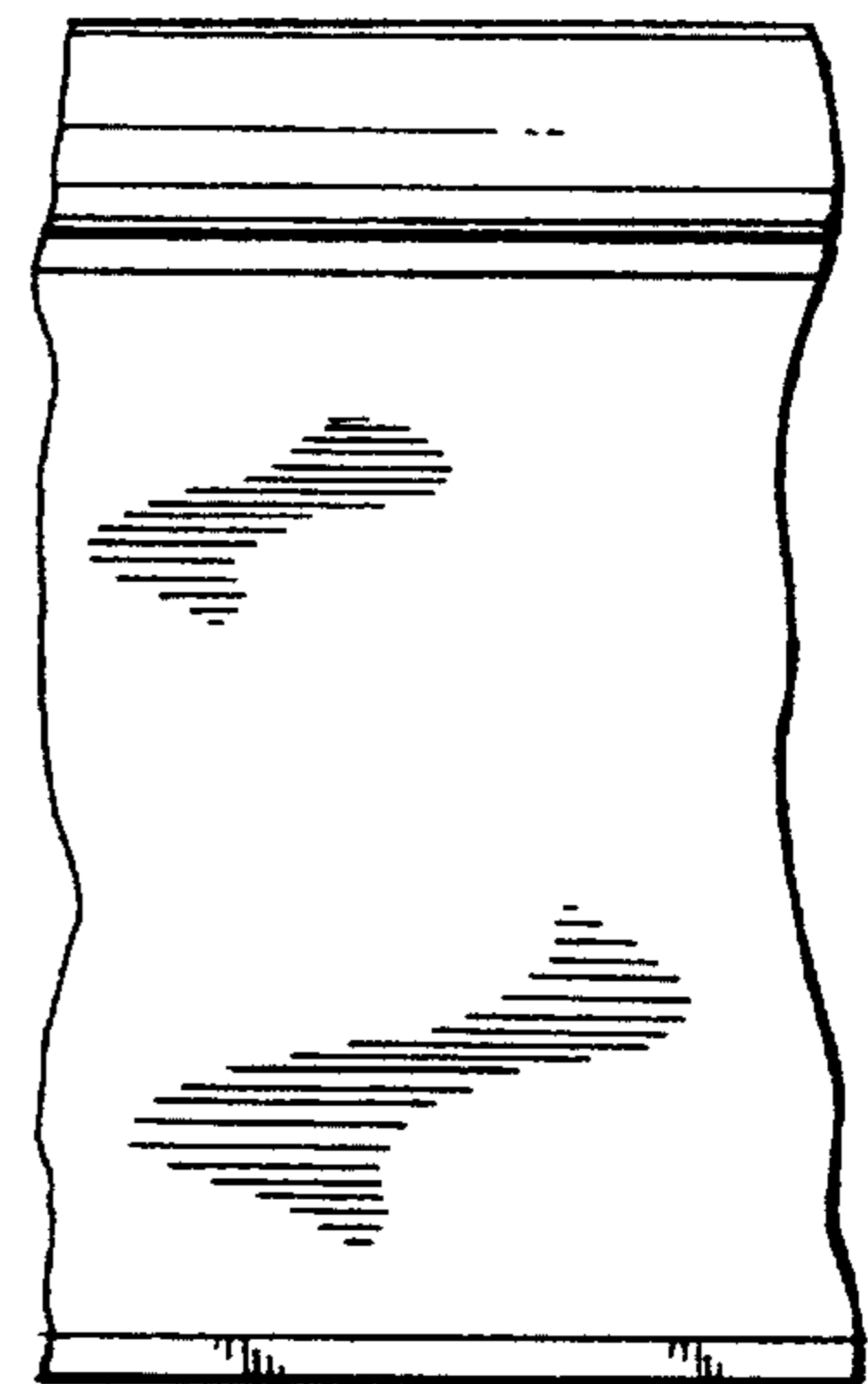


FIG. 3