



US00D370838S

United States Patent [19]

Holcomb et al.

[11] Patent Number: **Des. 370,838**

[45] Date of Patent: ****Jun. 18, 1996**

[54] **CHEESE SLICER**
[75] Inventors: **David Holcomb; Bradley B. Larsen,**
both of Seattle, Wash.

2,580,864	1/1952	Upright	31/20
2,649,658	8/1953	Nelson	83/761
2,836,212	5/1958	Shaw	146/160
2,858,610	11/1958	Glutting	30/279
5,207,137	5/1993	Baril	30/117 X

[73] Assignee: **Chef'n Corporation,** Seattle, Wash.

Primary Examiner—Terry A. Wallace
Attorney, Agent, or Firm—Seed and Berry

[**] Term: **14 Years**

[57] CLAIM

[21] Appl. No.: **28,532**

The ornamental design for a cheese slicer, as shown and described.

[22] Filed: **Sep. 16, 1994**

[52] U.S. Cl. **D7/673**

[58] Field of Search D7/673; 30/114-117;
83/167, 607, 651.1, 761, 762, 648; 269/302.1

DESCRIPTION

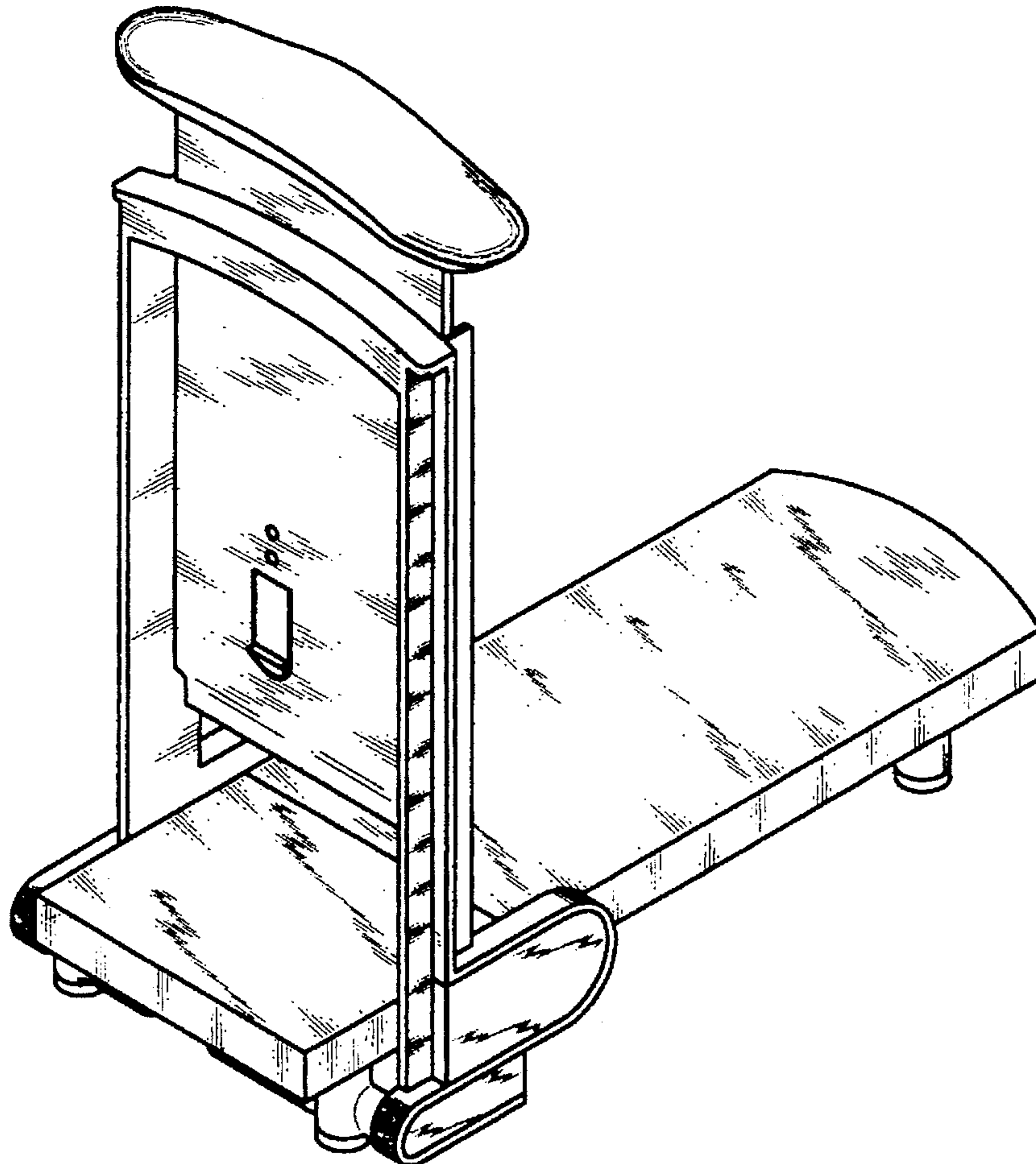
[56] References Cited

U.S. PATENT DOCUMENTS

944,087	12/1909	Gloekler et al. .	
954,498	4/1910	Bieder .	
1,918,675	7/1933	Webster	83/762
2,178,267	10/1939	Potstada	30/115
2,309,814	2/1943	Youngberg	30/115
2,570,671	10/1951	Hartman	30/286

FIG. 1 is an isometric of a cheese slicer showing our new design;
FIG. 2 is a top plan view thereof;
FIG. 3 is a bottom plan view thereof;
FIG. 4 is a right side elevational view thereof. The opposite left side is the same as the right side elevational view;
FIG. 5 is a front elevational view thereof; and,
FIG. 6 is a rear view thereof.

1 Claim, 4 Drawing Sheets



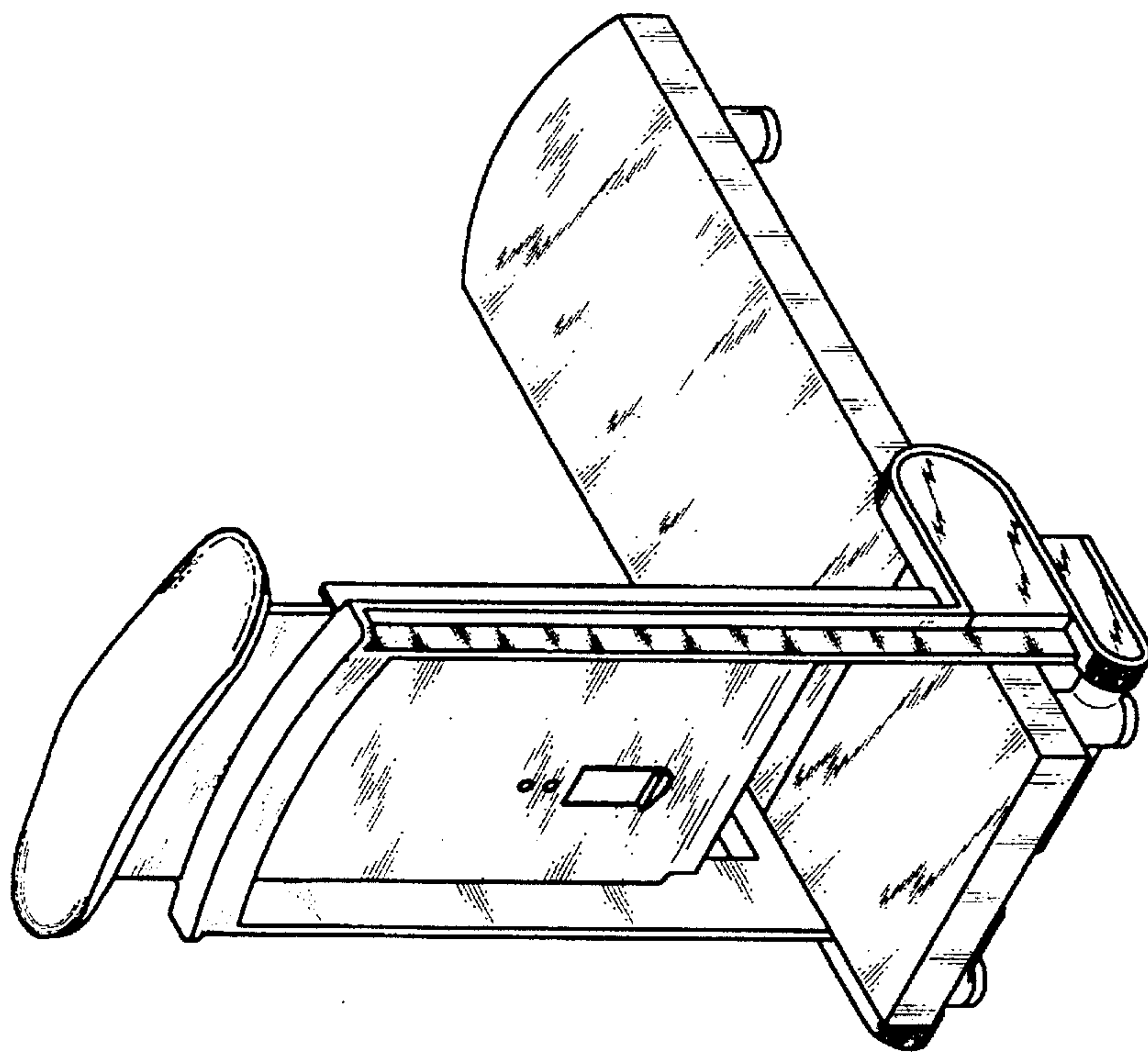


Fig. 1

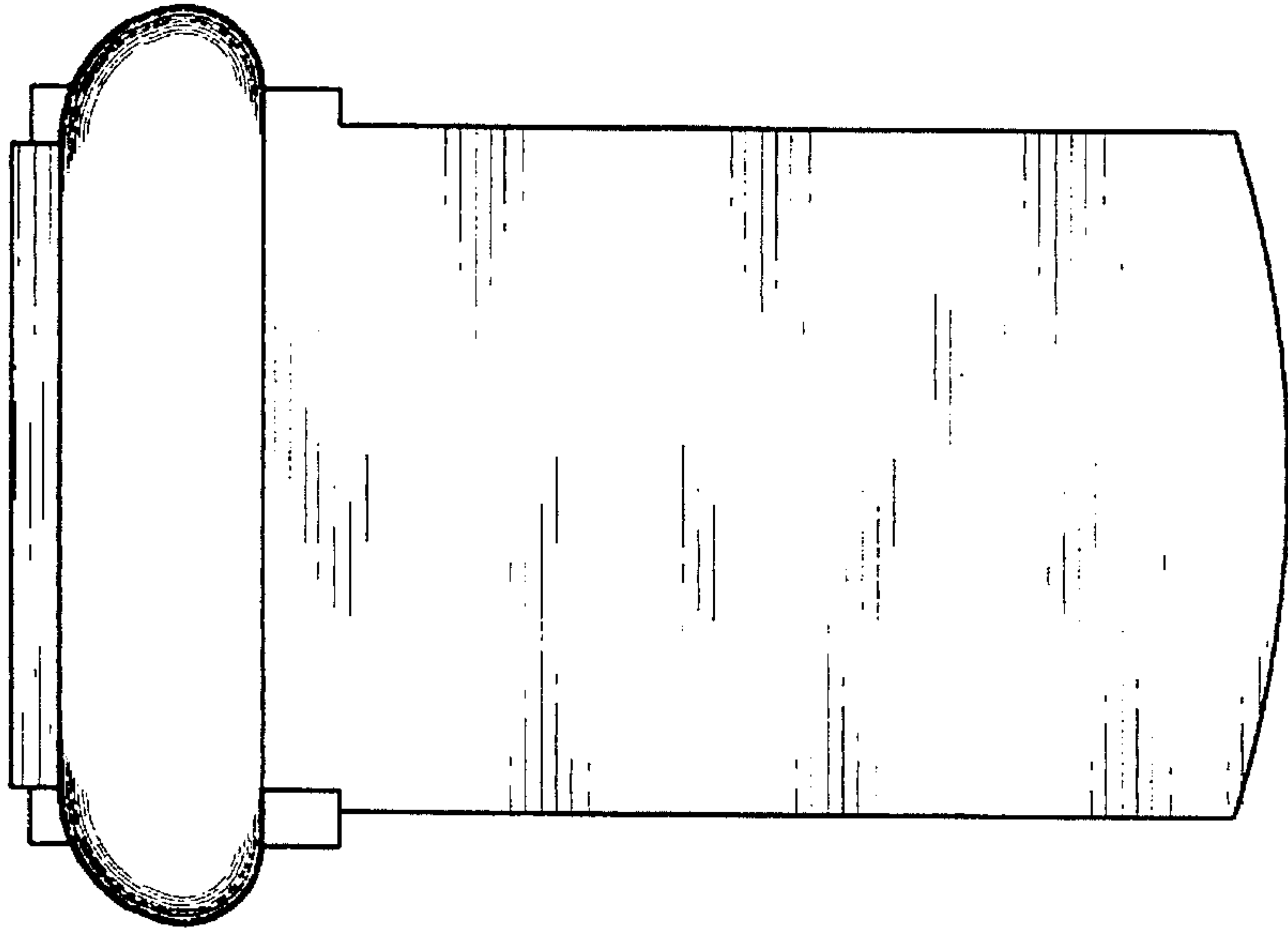


Fig. 2

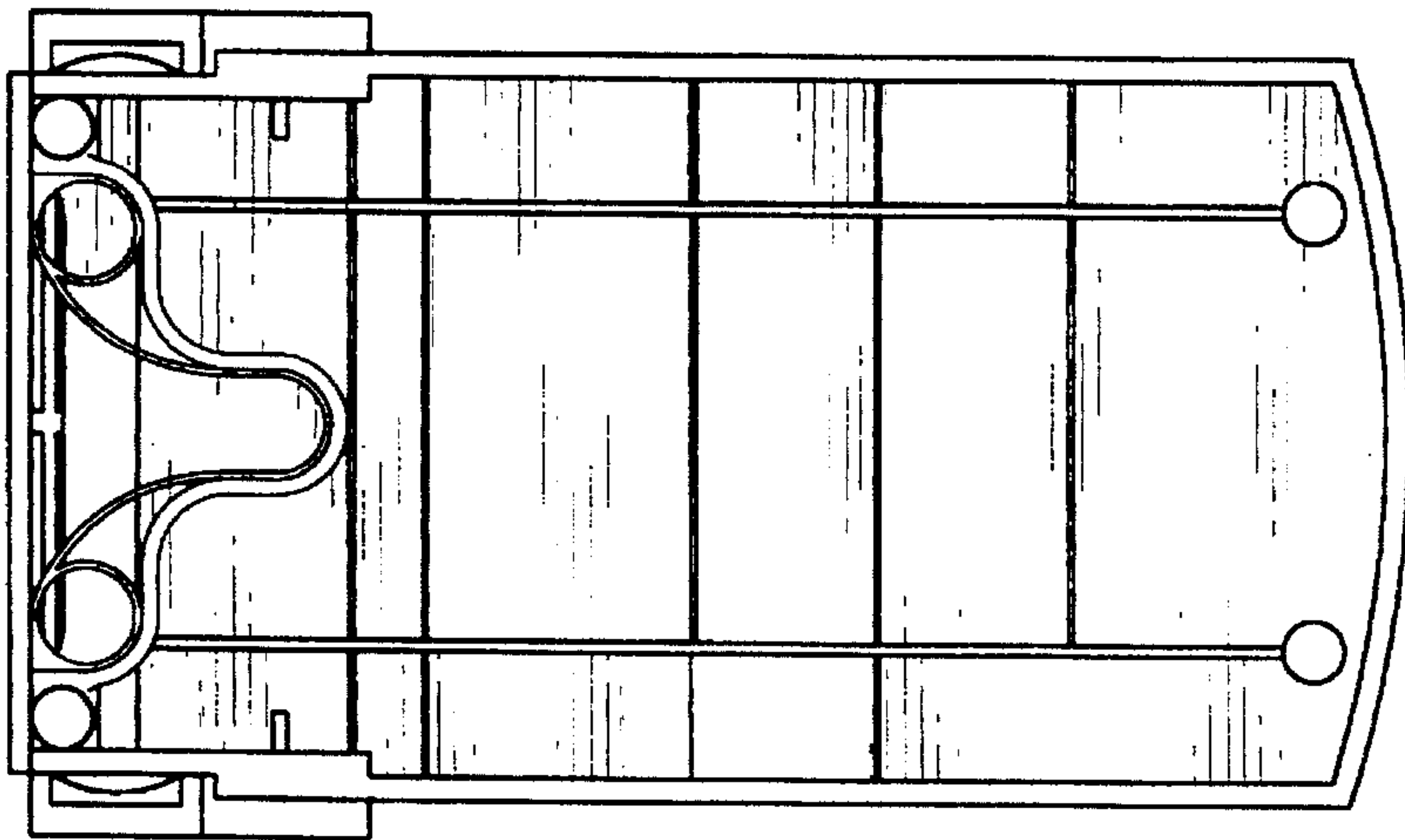


Fig. 3

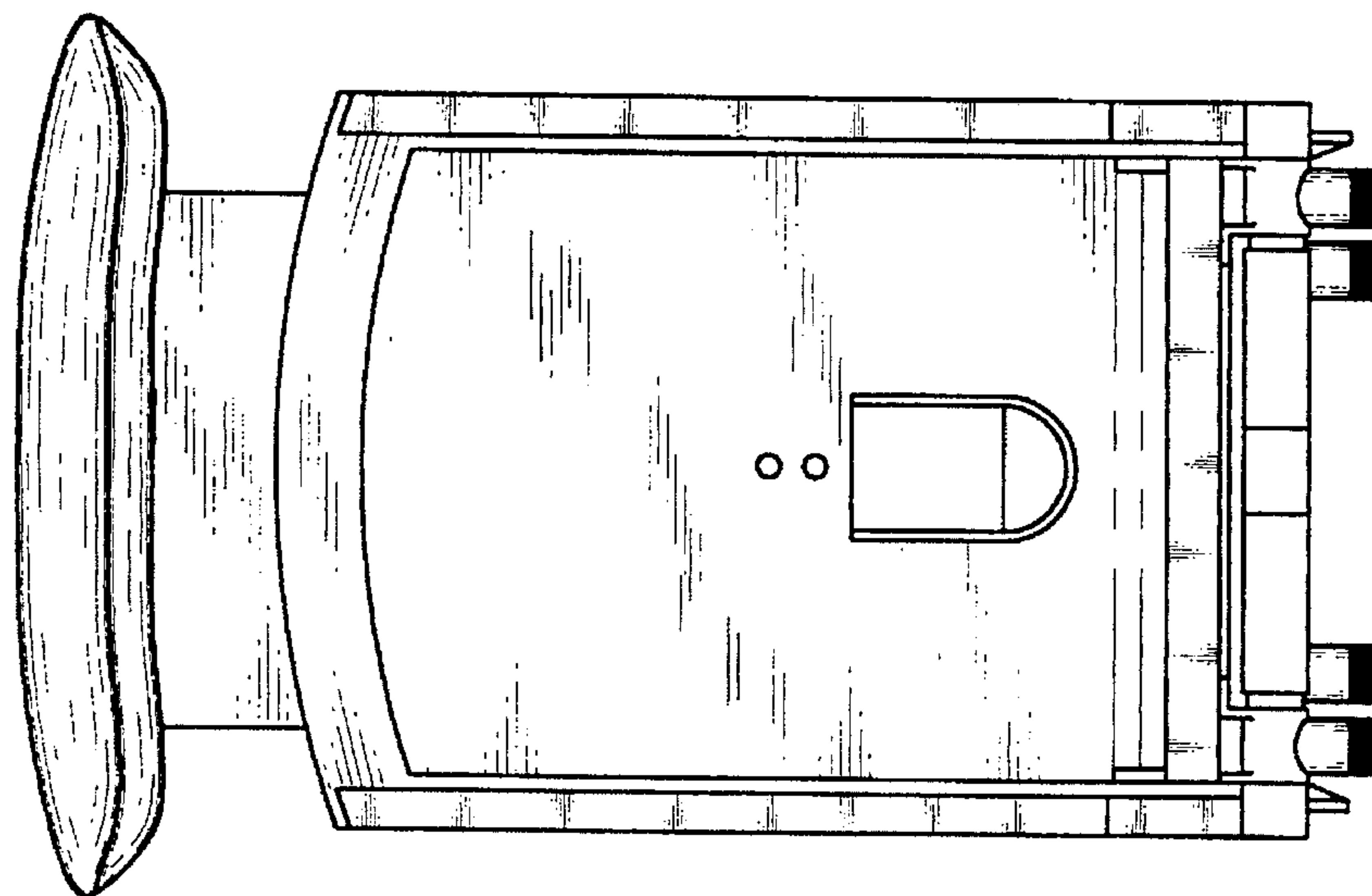


Fig. 5

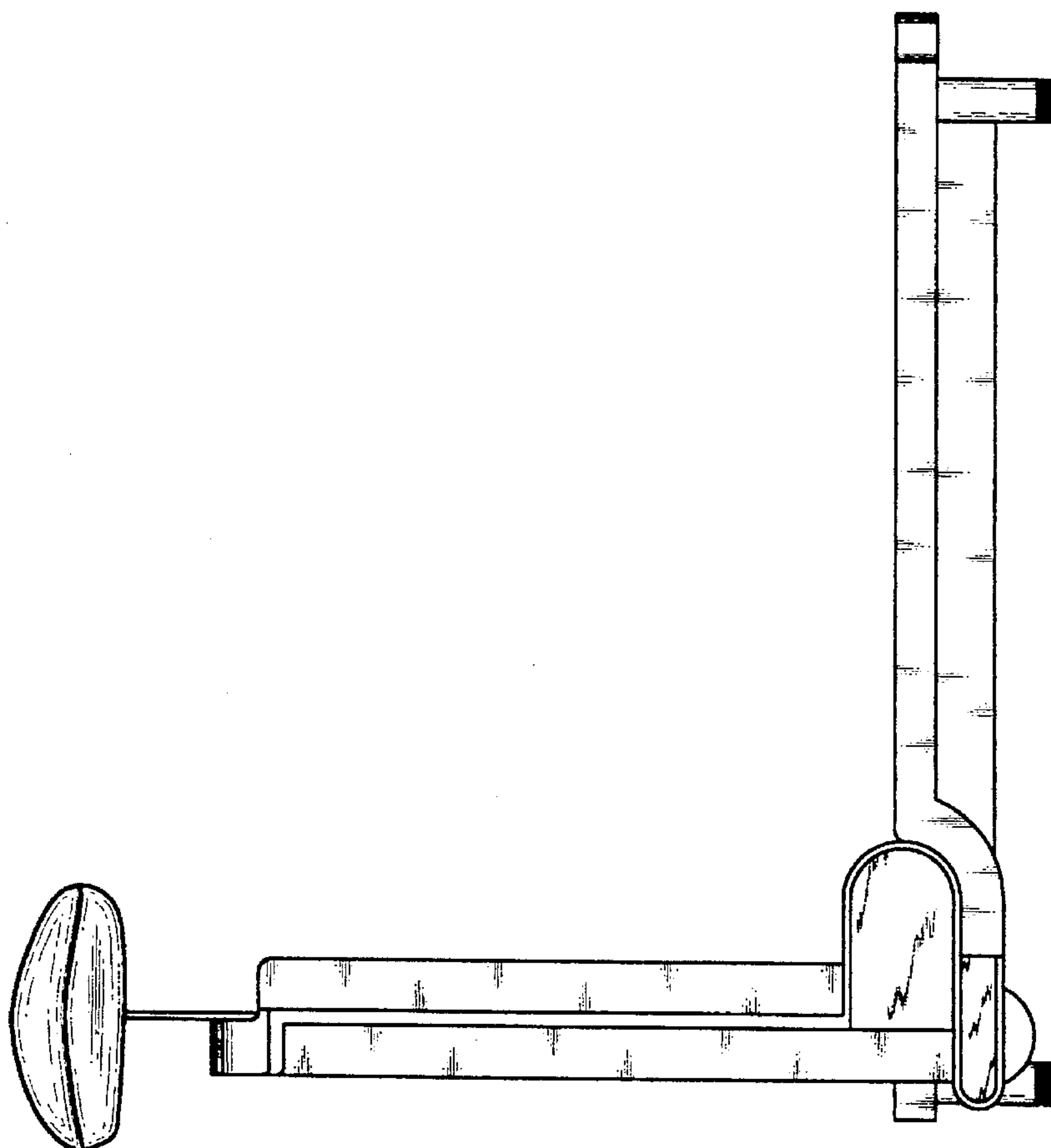


Fig. 4

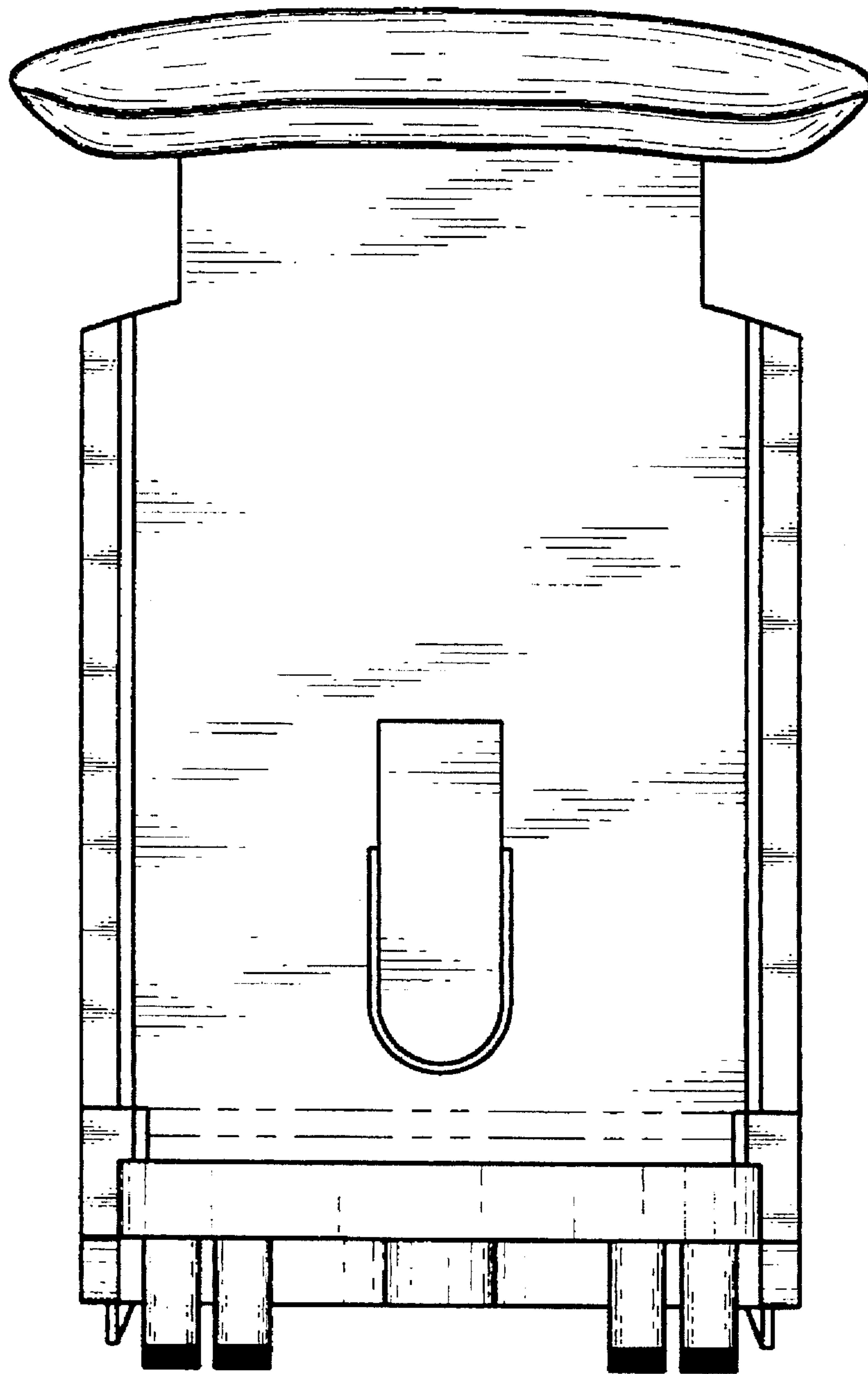


Fig. 6