



US00D370837S

United States Patent [19]

[11] Patent Number: **Des. 370,837**

Lee

[45] Date of Patent: ****Jun. 18, 1996**

[54] **JUICE EXTRACTOR**

[76] Inventor: **Yung-To Lee**, No. 58, Jen-Ai St.,
Yung-Kang City, Tainan Hsien, Taiwan

[**] Term: **14 Years**

[21] Appl. No.: **41,193**

[22] Filed: **Jul. 7, 1995**

[52] U.S. Cl. **D7/666**

[58] Field of Search D7/665, 666; 99/495,
99/501-506; 100/213

[56] **References Cited**

U.S. PATENT DOCUMENTS

D. 92,537	6/1934	Johnson	D7/666
D. 110,203	6/1938	Bloomfield	D7/666
D. 112,652	12/1938	Cecil	D7/666
D. 304,140	10/1989	Li	D7/666
2,151,500	3/1939	Cecil	100/213

Primary Examiner—Terry A. Wallace
Attorney, Agent, or Firm—Skjerven, Morrill, MacPherson,
Franklin & Friel

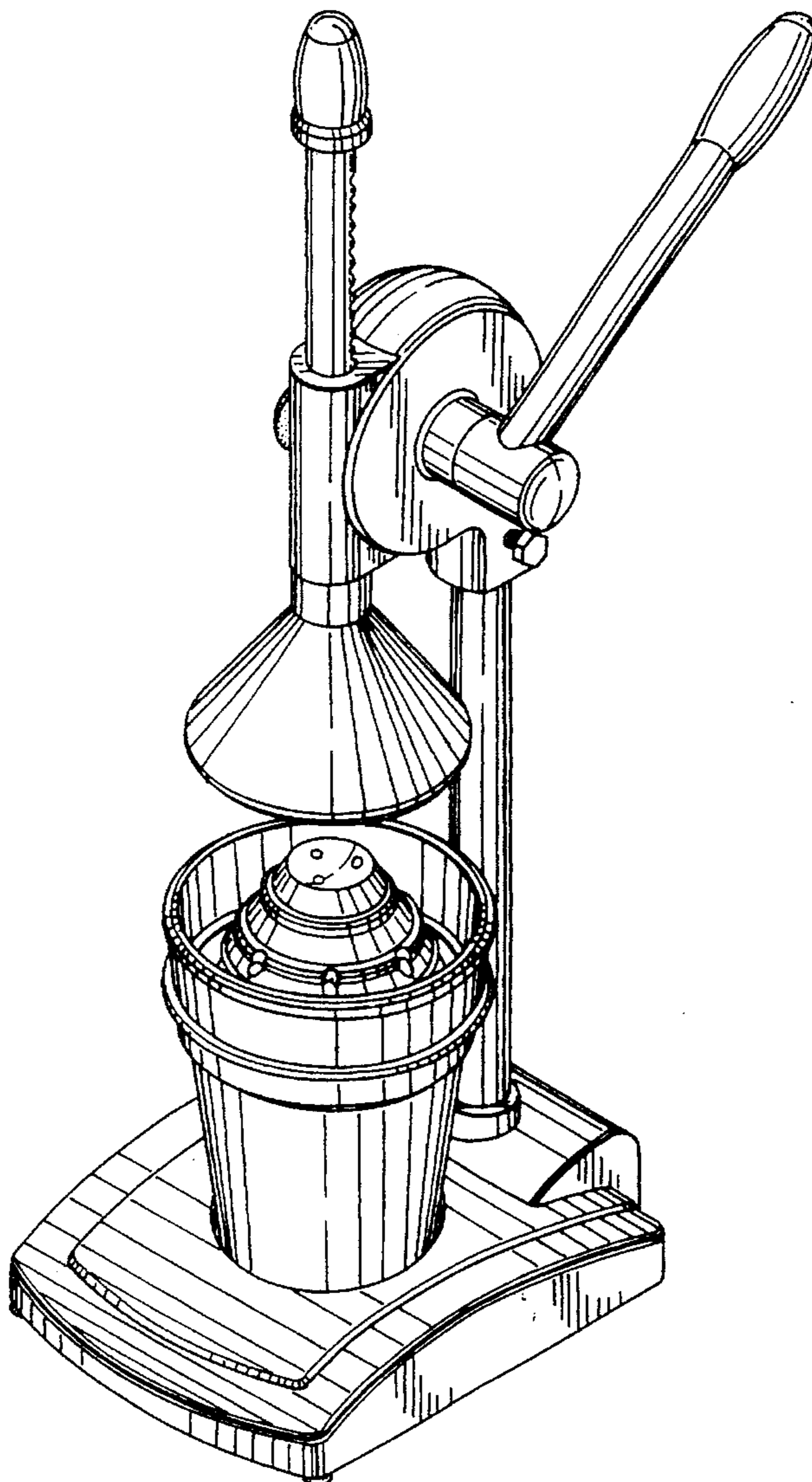
[57] **CLAIM**

The ornamental design for juice extractor, as shown and described.

DESCRIPTION

FIG. 1 is a perspective view of juice extractor showing my new design;
FIG. 2 is a front elevational view thereof;
FIG. 3 is a rear elevational view thereof;
FIG. 4 is a left side elevational view thereof;
FIG. 5 is a right side elevational view thereof;
FIG. 6 is a top plan view thereof; and,
FIG. 7 is a bottom plan view thereof.

1 Claim, 4 Drawing Sheets



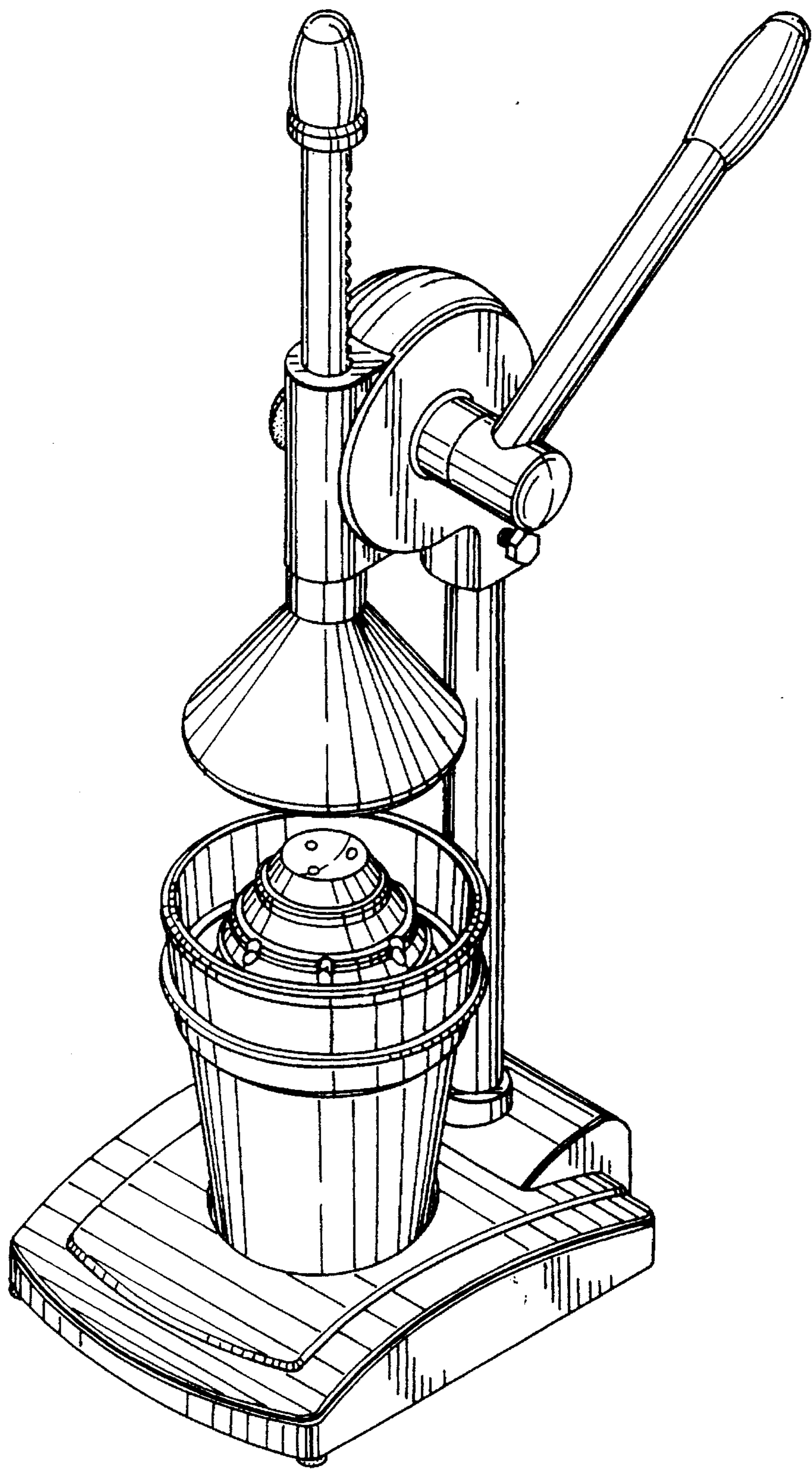


FIG.1

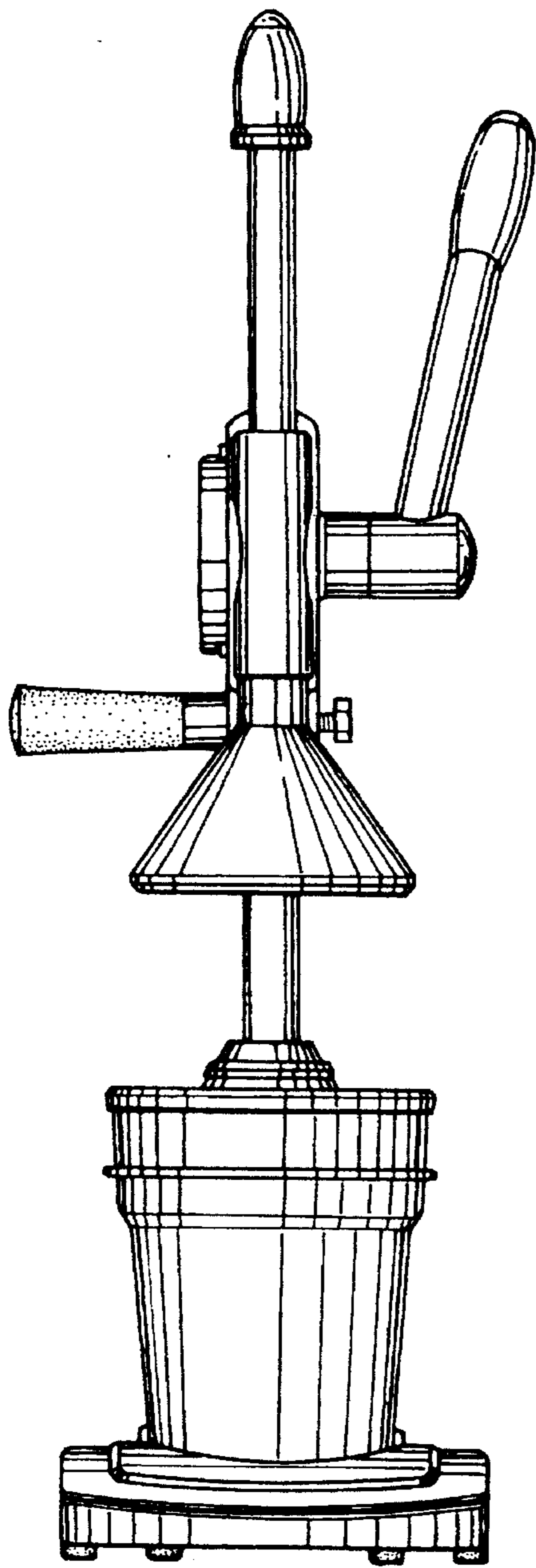


FIG. 2

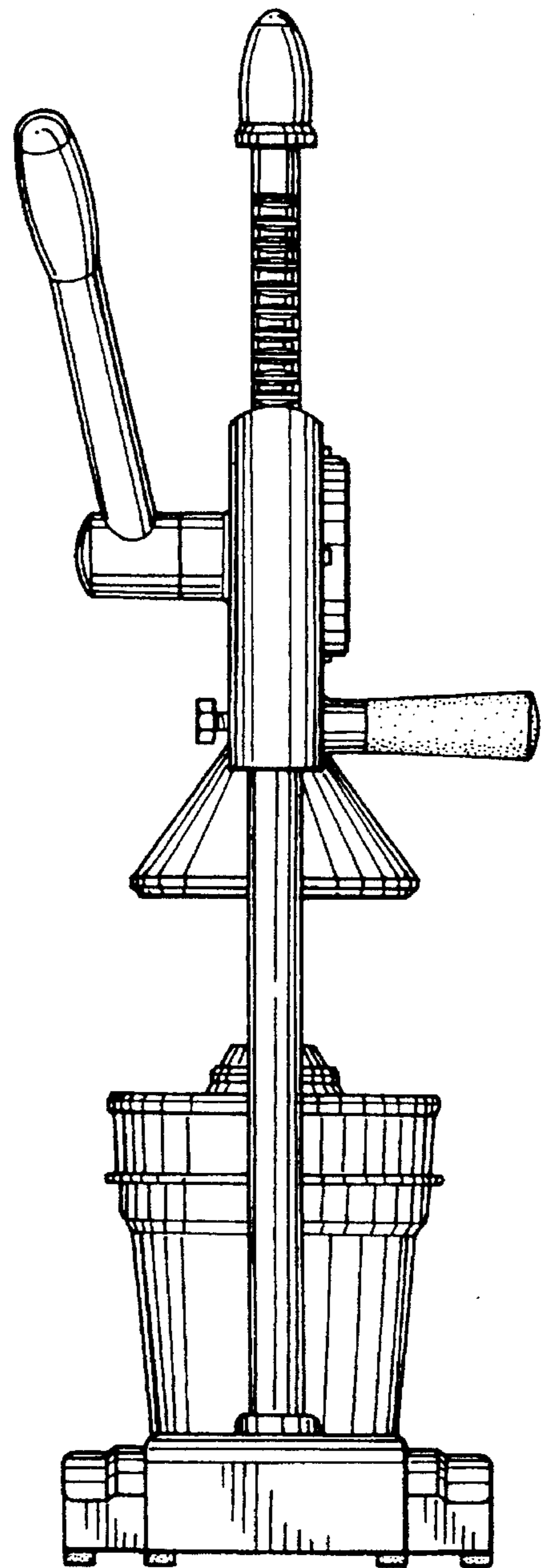


FIG. 3

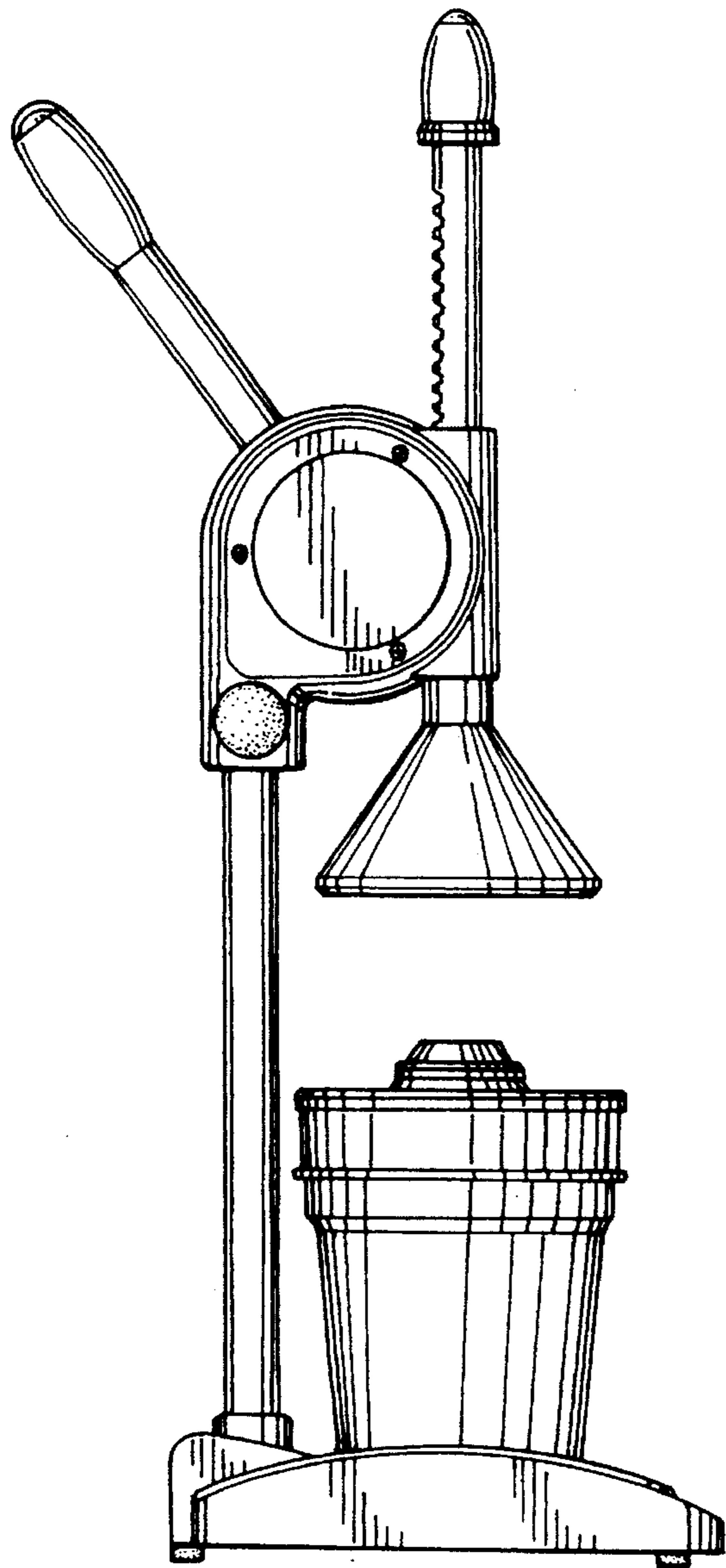


FIG. 4

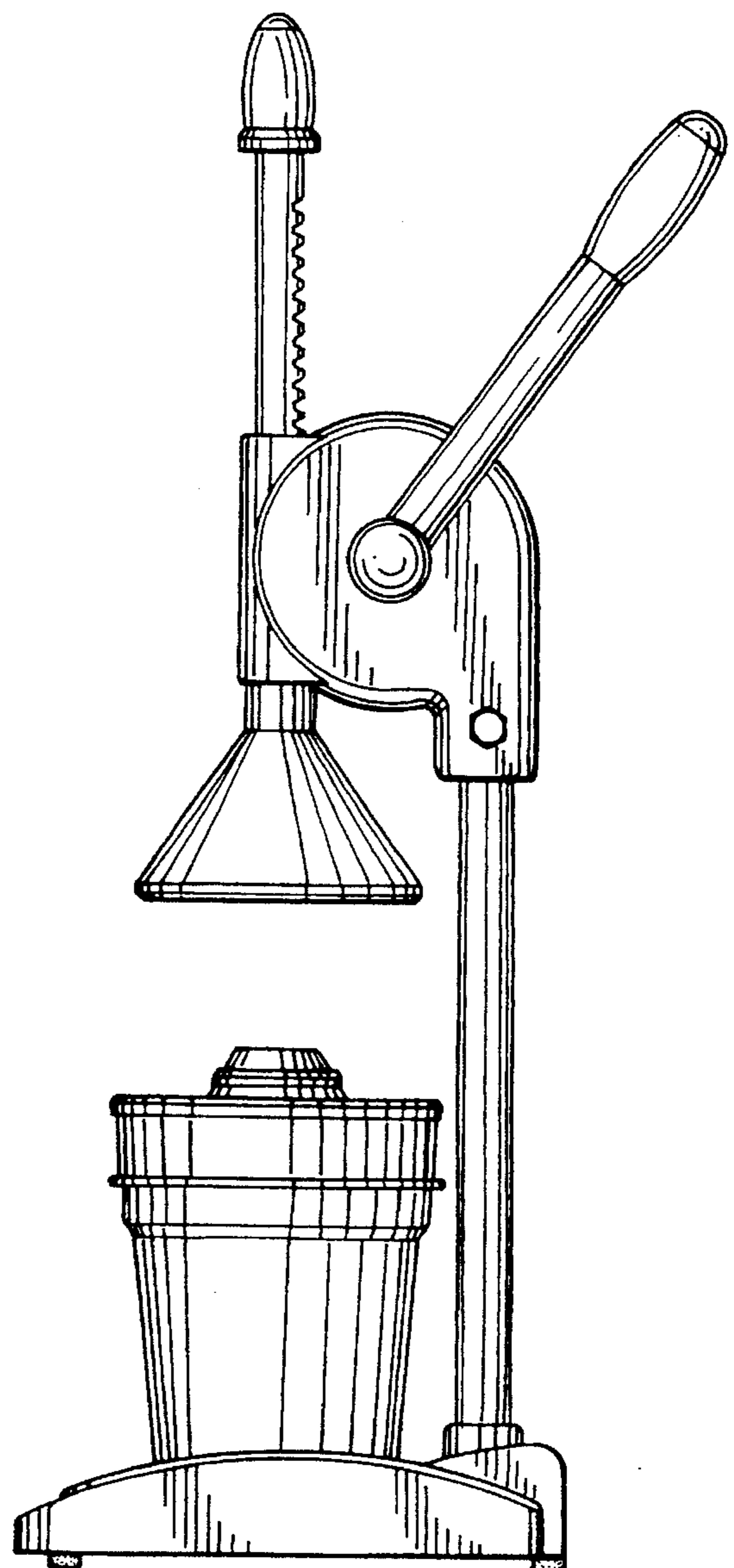


FIG. 5

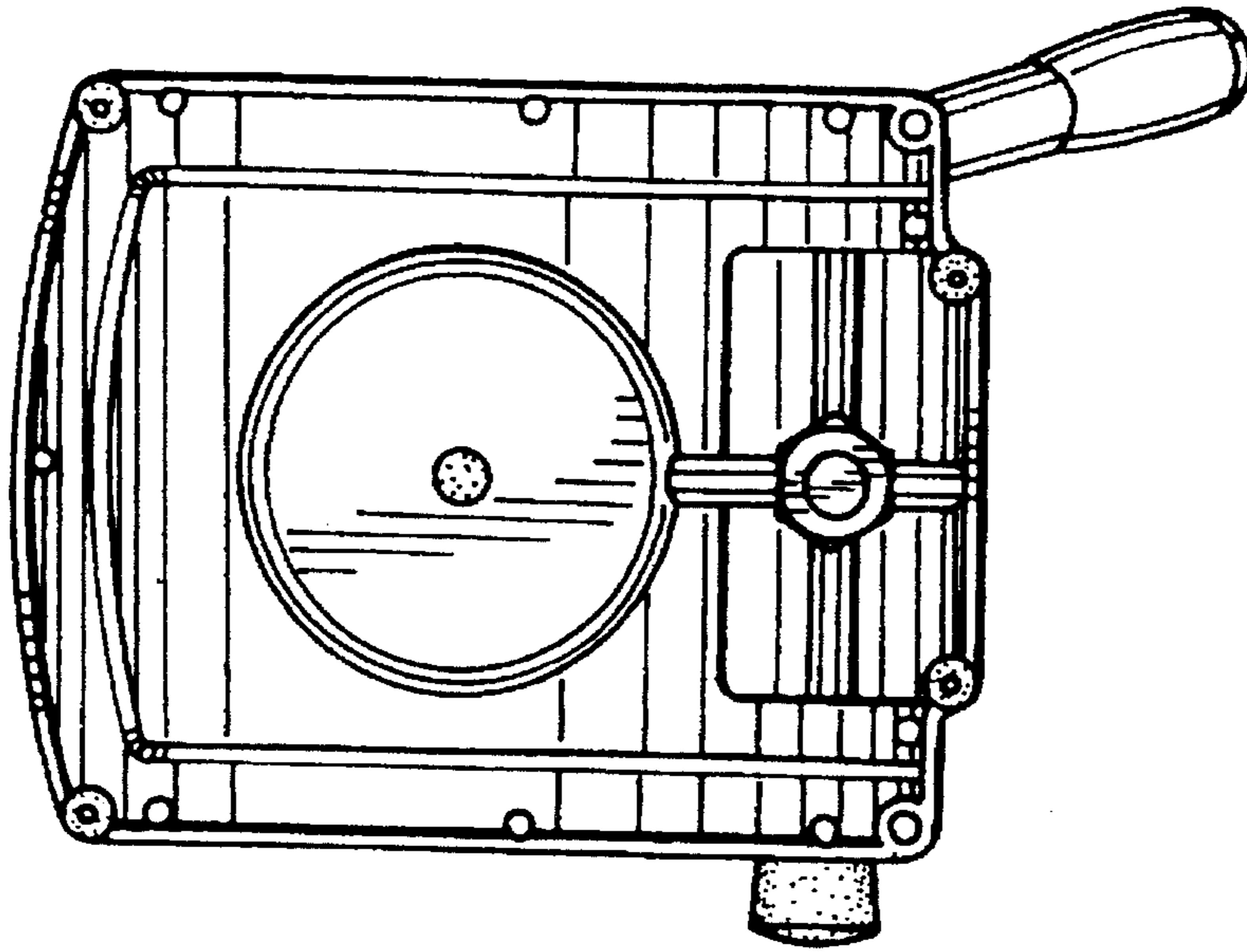


FIG. 7

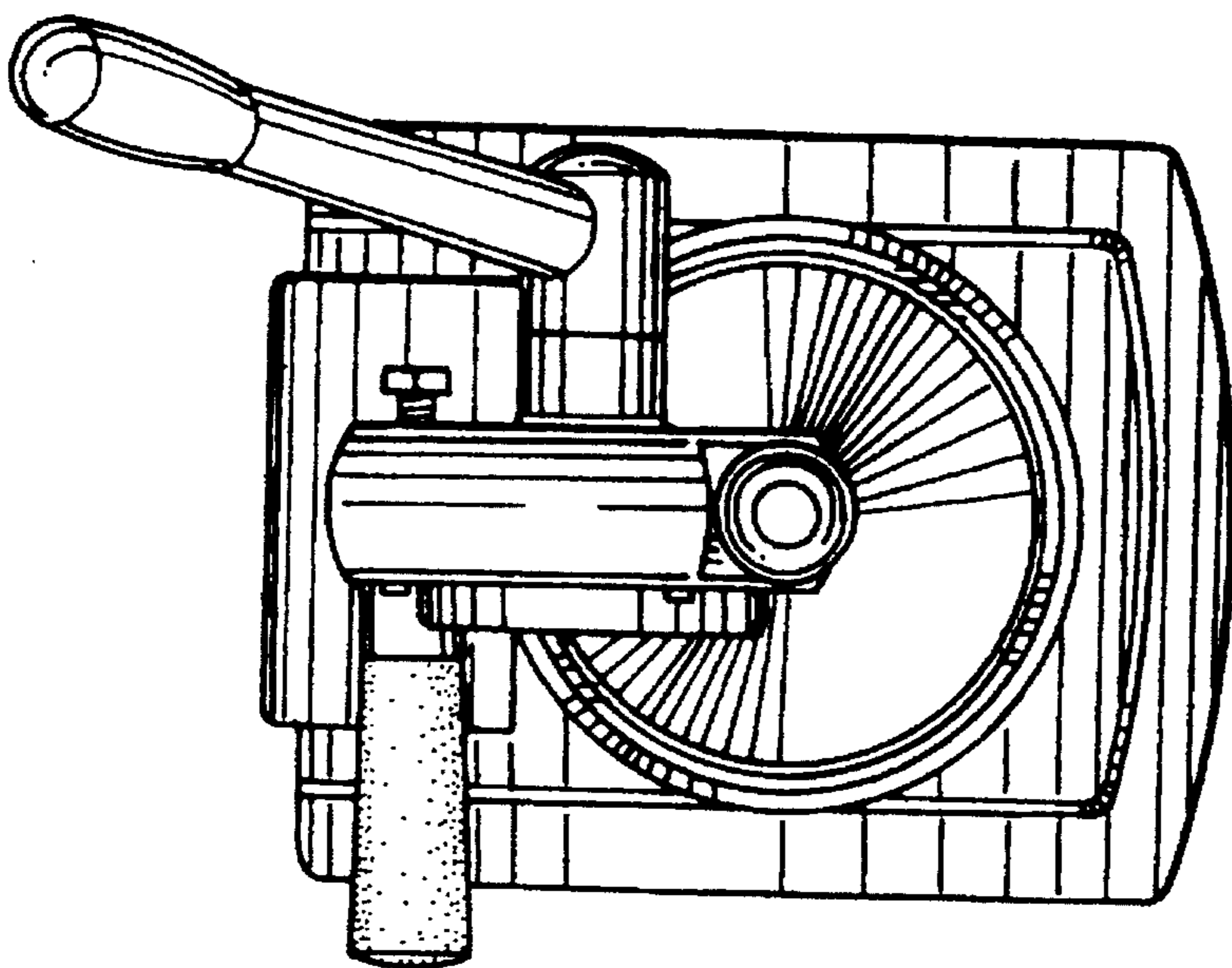


FIG. 6