



US00D370836S

United States Patent [19]

[11] **Patent Number: Des. 370,836**

Van Blankenburg

[45] **Date of Patent: **Jun. 18, 1996**

[54] **DRINK CONTAINER HOLDER**

[76] Inventor: **Karl Van Blankenburg**, 61830 Lantern Cove, Washington, Mich. 48094

[**] Term: **14 Years**

[21] Appl. No.: **37,643**

[22] Filed: **Apr. 18, 1995**

[52] U.S. Cl. **D7/625; D7/515; D7/536; D29/106**

[58] **Field of Search** D7/514-515, 533, D7/536, 604, 606, 624, 625; D9/307, 320; D2/870, 878; D29/106; 62/457.1-457.4; 220/737, 739, 903; 248/346.1; 215/386, 387, 395, 396

D. 344,659 3/1994 Hsu .
 D. 347,361 5/1994 Herrera .
 D. 349,216 8/1994 Steinfels, III .
 D. 351,685 10/1994 Kamata .
 D. 353,025 11/1994 Kamata D29/105
 D. 353,026 11/1994 Kamata D29/105
 3,825,952 7/1974 Pershing et al. .
 4,566,292 1/1986 Parmet .
 4,821,344 4/1989 Kamata 2/414
 5,048,129 9/1991 Kamata 2/424
 5,161,261 11/1992 Kamata 2/424

Primary Examiner—Terry A. Wallace
Attorney, Agent, or Firm—Young and Basile

[57] **CLAIM**

The ornamental design for a drink container holder, as shown and described.

[56] **References Cited**

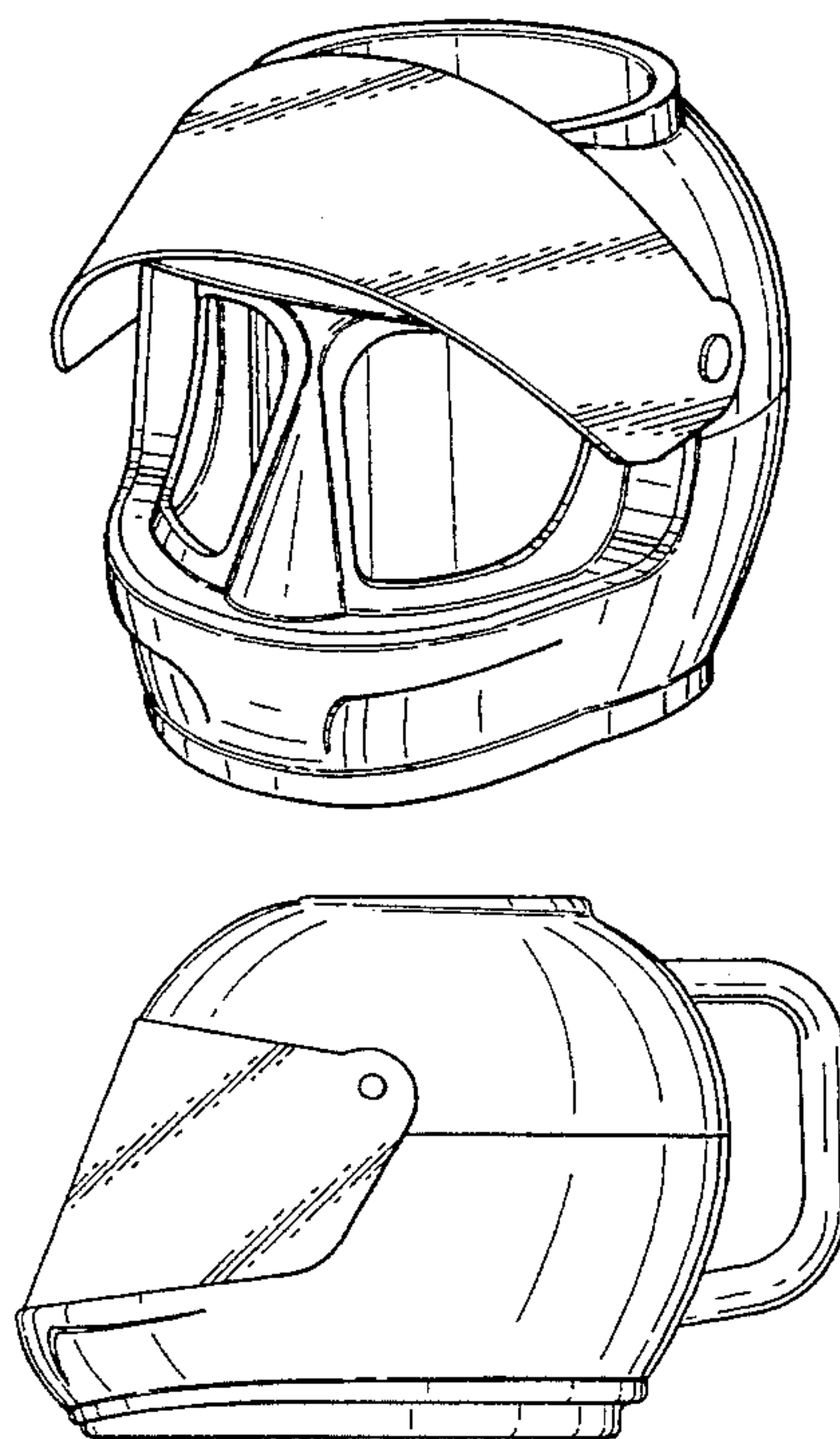
U.S. PATENT DOCUMENTS

- D. 232,011 7/1974 Denton .
- D. 239,587 4/1976 Dickstein .
- D. 249,396 9/1978 Kamata .
- D. 249,438 9/1978 Meier et al. .
- D. 251,226 3/1979 Danat et al. .
- D. 279,430 7/1985 McLeroy .
- D. 289,598 5/1987 Parmet .
- D. 291,524 8/1987 Yanniell et al. .
- D. 314,492 2/1991 Weller et al. .
- D. 327,817 7/1992 Paullin .
- D. 330,857 11/1992 Kidd .
- D. 330,951 11/1992 Kamata .
- D. 331,299 11/1992 Kamata .
- D. 337,242 7/1995 Steinfels, III .
- D. 340,319 10/1993 Kamata .
- D. 340,545 10/1993 Kamata .
- D. 340,546 10/1993 Kamata .

DESCRIPTION

FIG. 1 is a right side elevational view of a drink container holder showing my new design, the left side being identical; FIG. 2 is a front elevational view thereof; FIG. 3 is a rear elevational view thereof; FIG. 4 is a top plan view thereof; FIG. 5 is a bottom plan view thereof; FIG. 6 is a perspective view thereof with the visor in an open position; FIG. 7 is a right side elevational view of an alternate embodiment of FIG. 1, the left side being identical; FIG. 8 is a front elevational view of FIG. 7; FIG. 9 is a rear elevational view of FIG. 7; FIG. 10 is a top plan view of FIG. 7; and, FIG. 11 is a bottom plan view of FIG. 7.

1 Claim, 3 Drawing Sheets



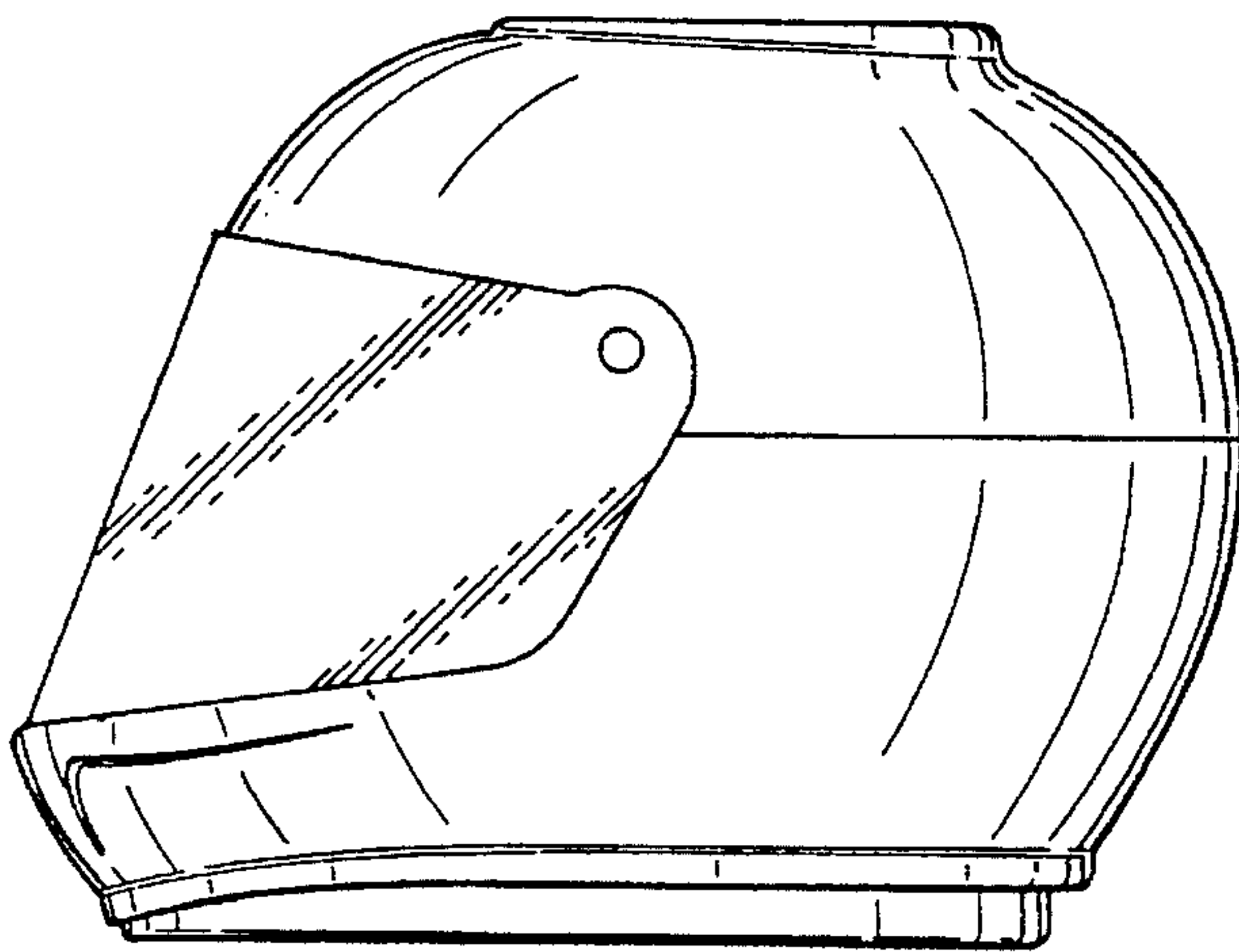


FIG-1

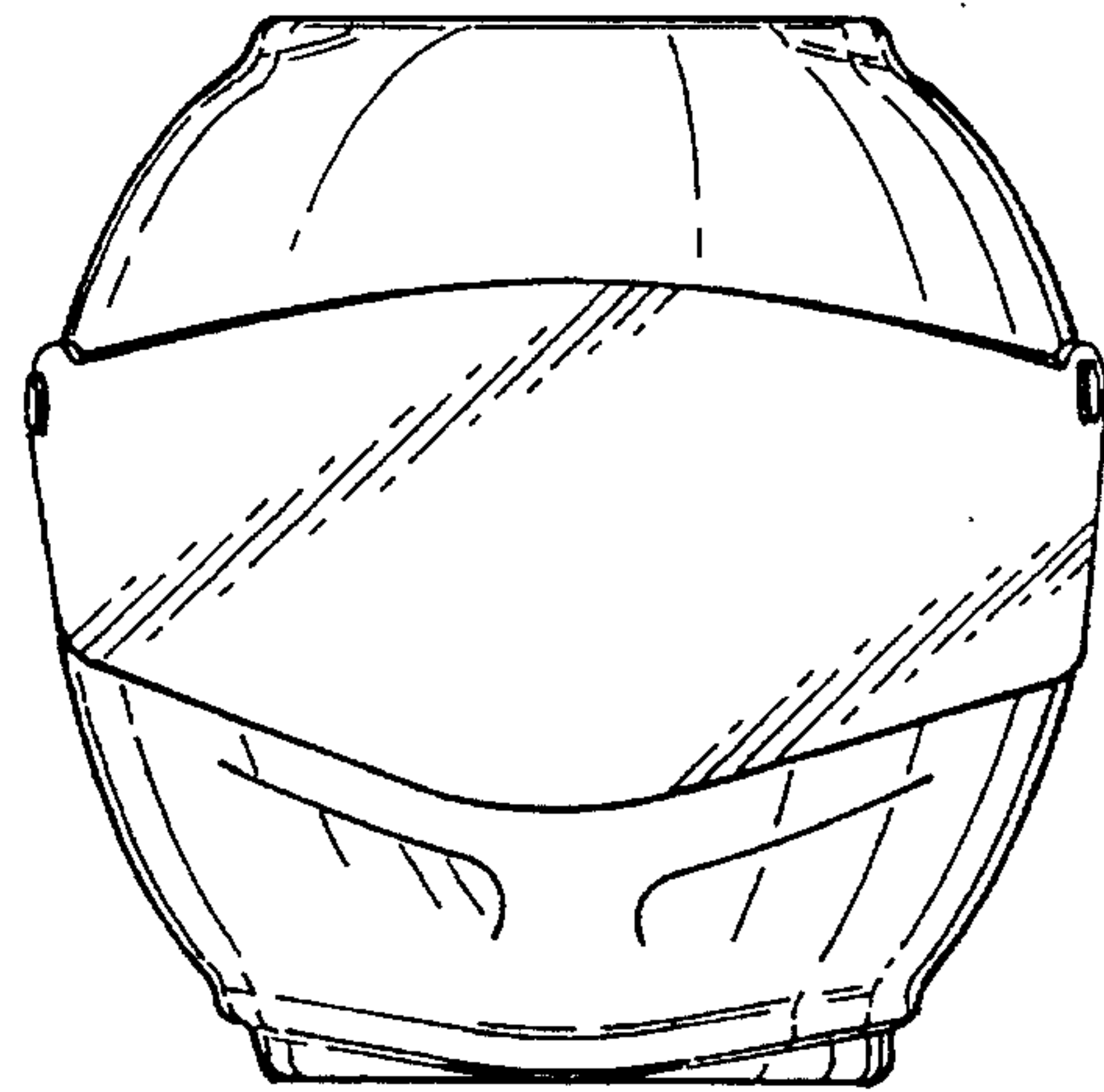


FIG-2

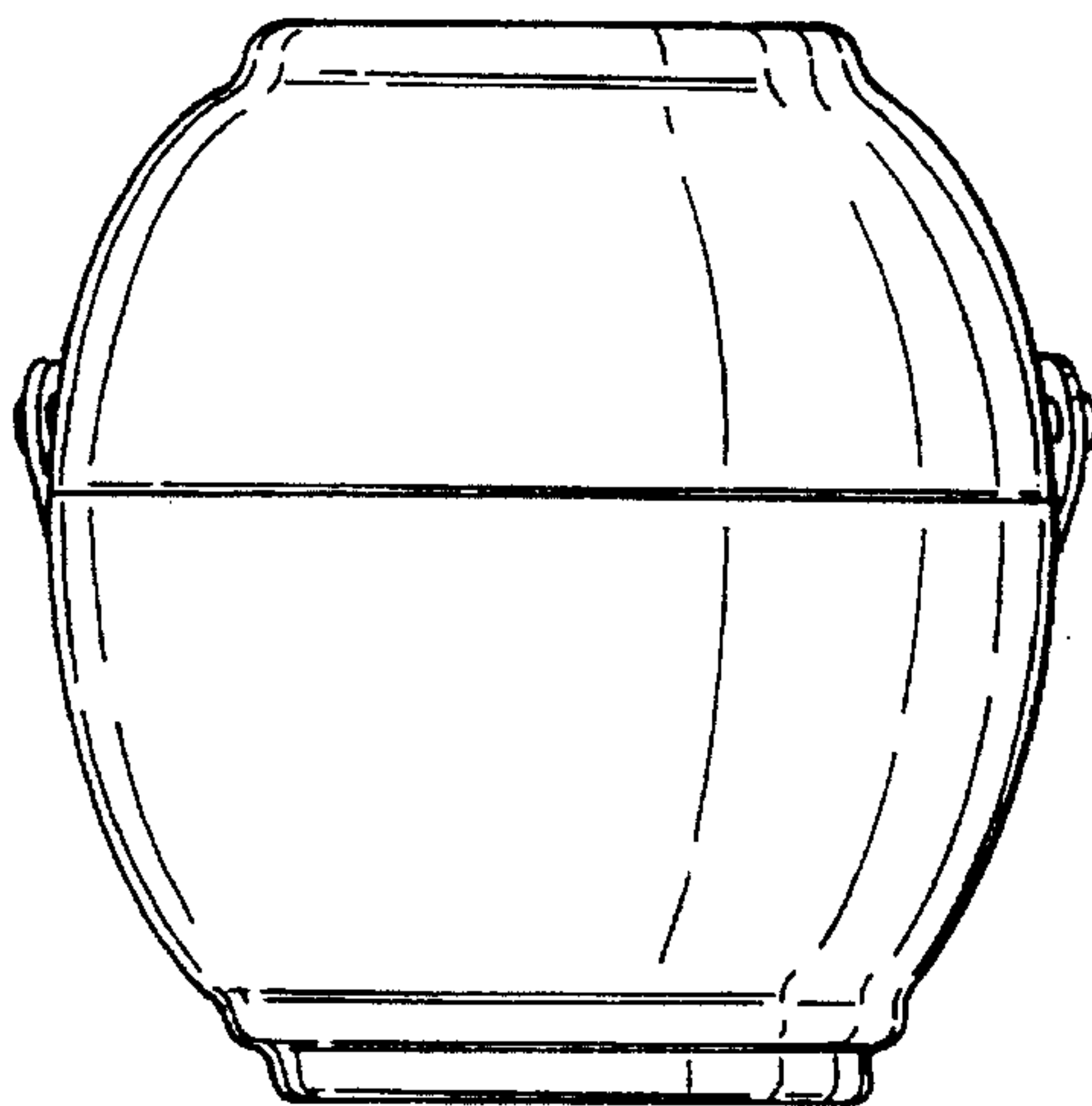


FIG-3

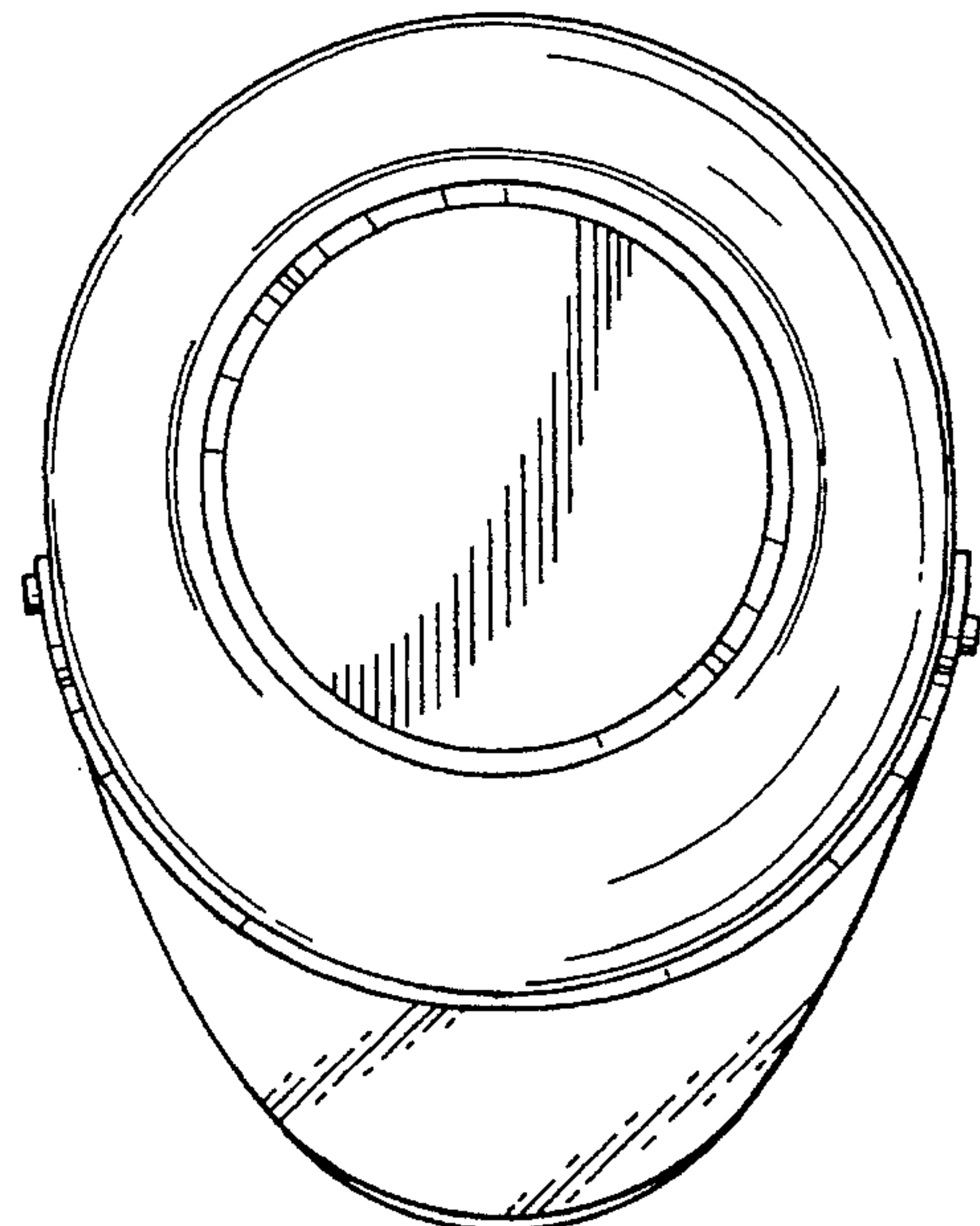


FIG-4

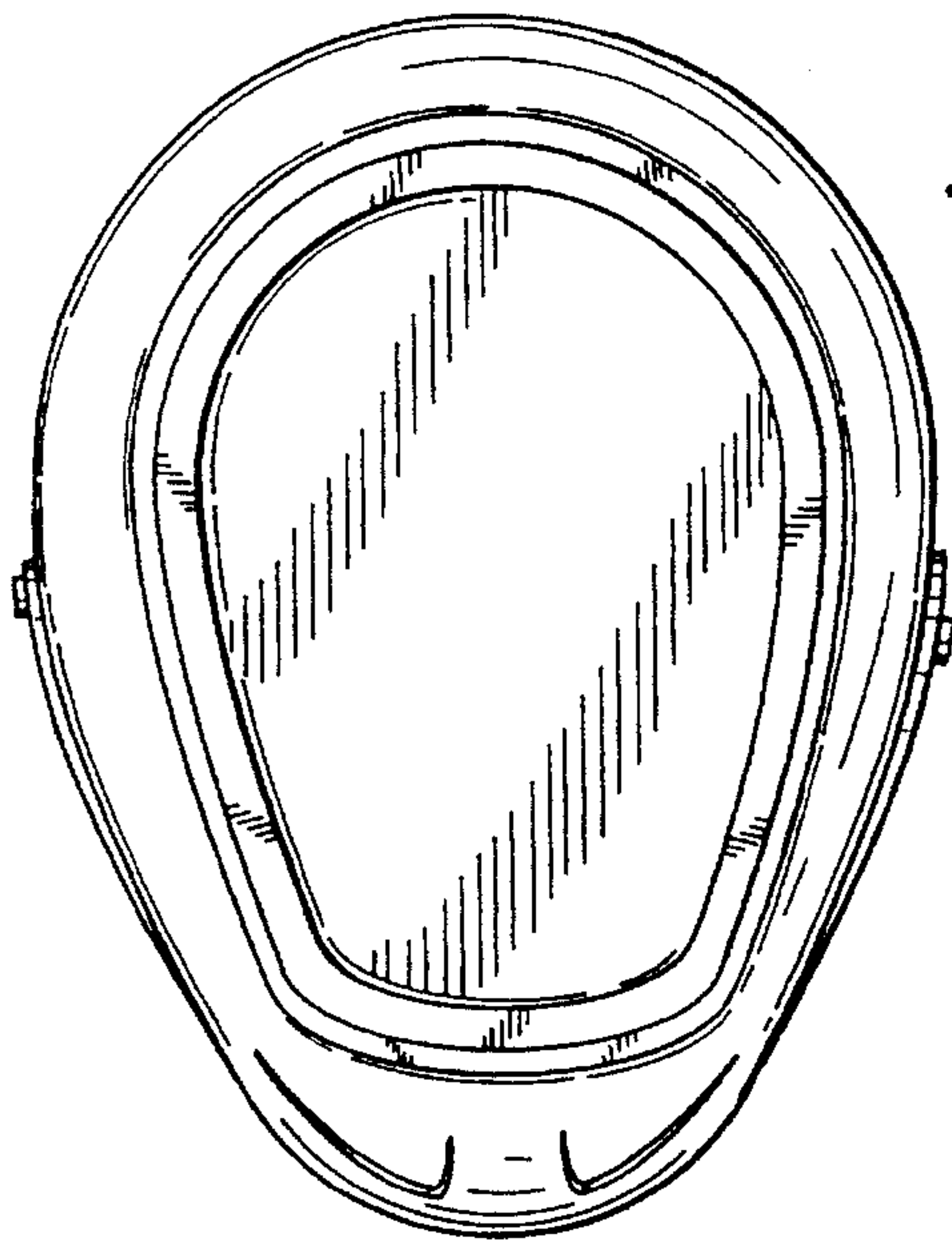


FIG-5

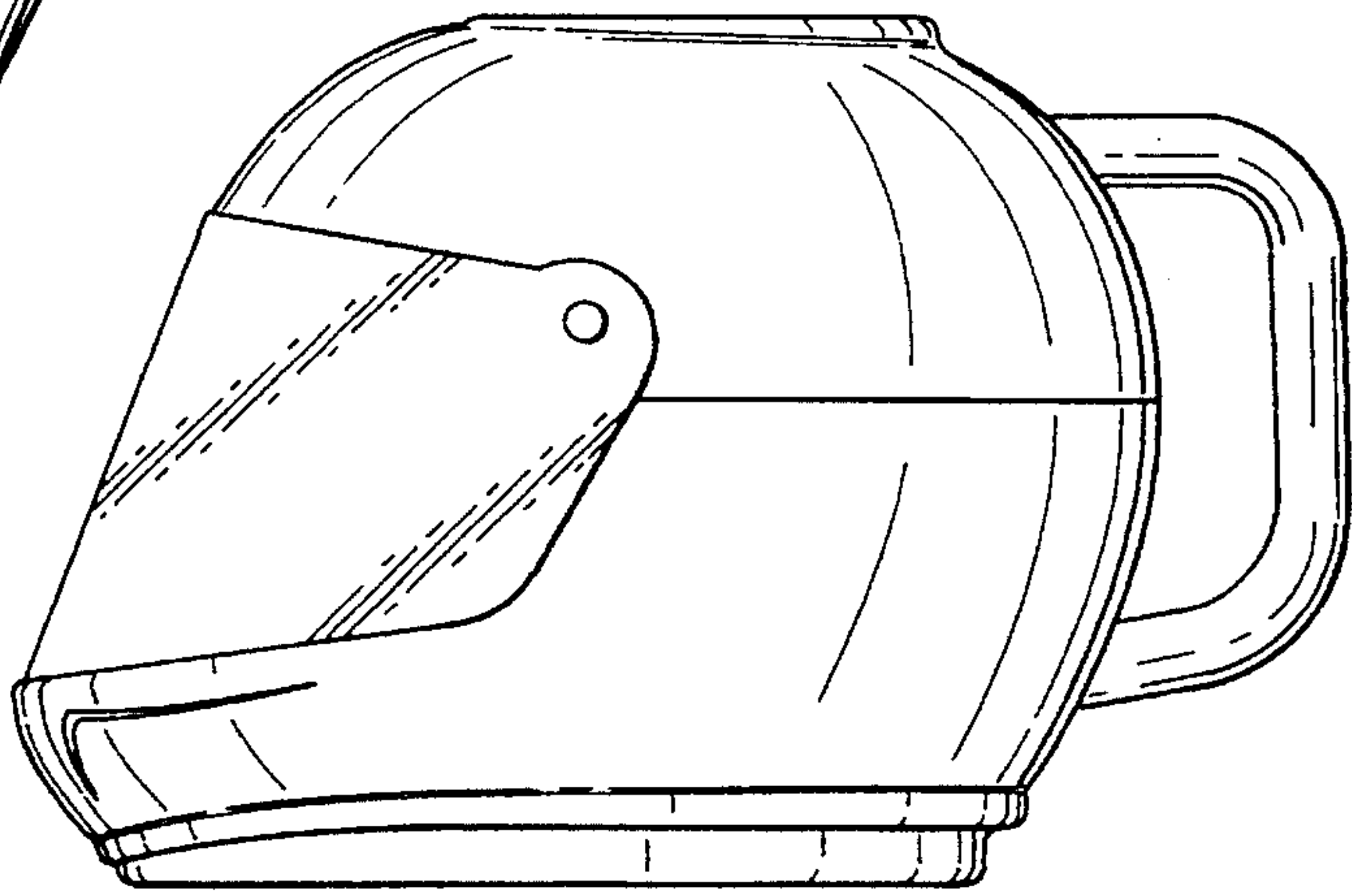


FIG-7

FIG-6

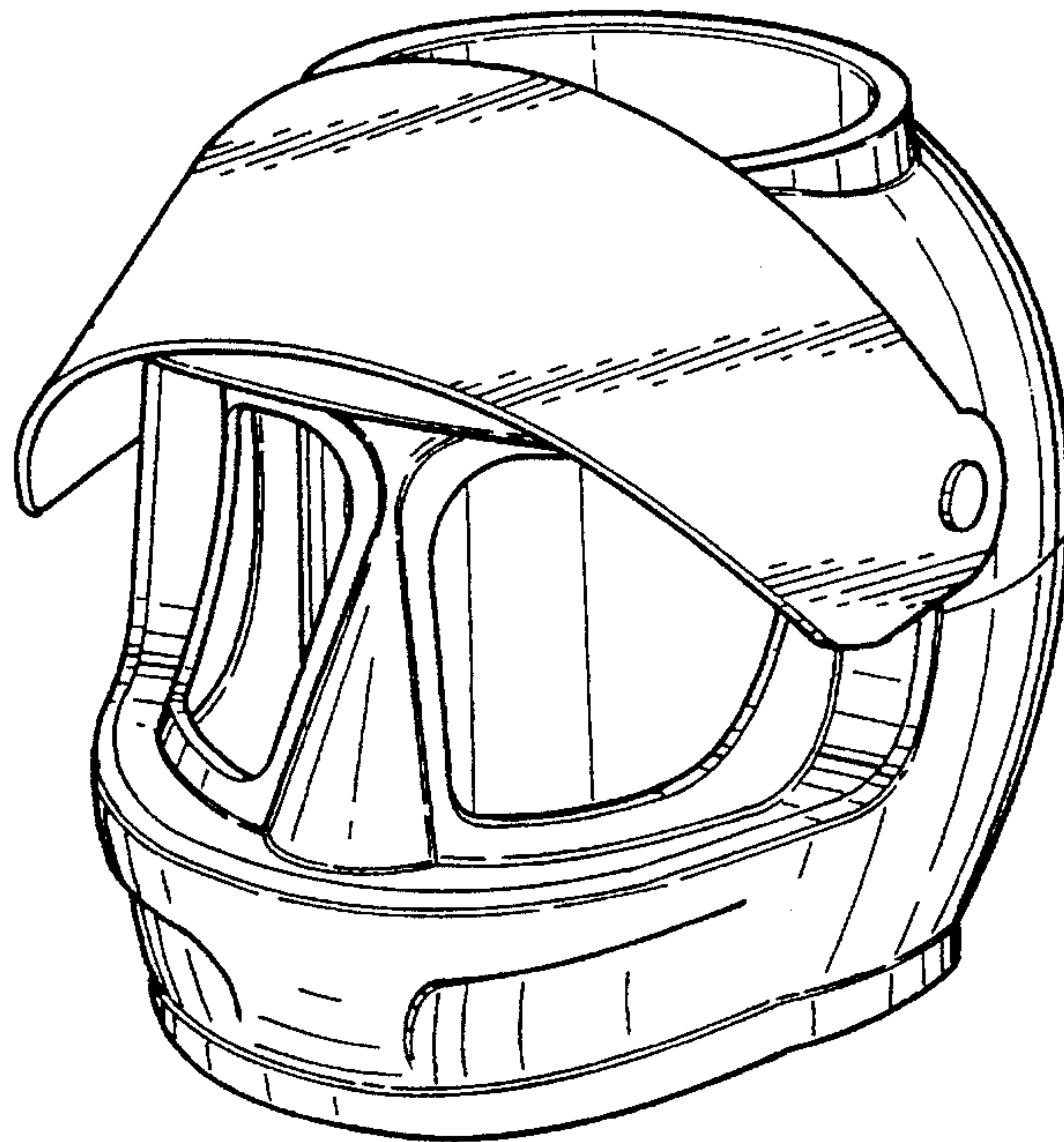


FIG-8

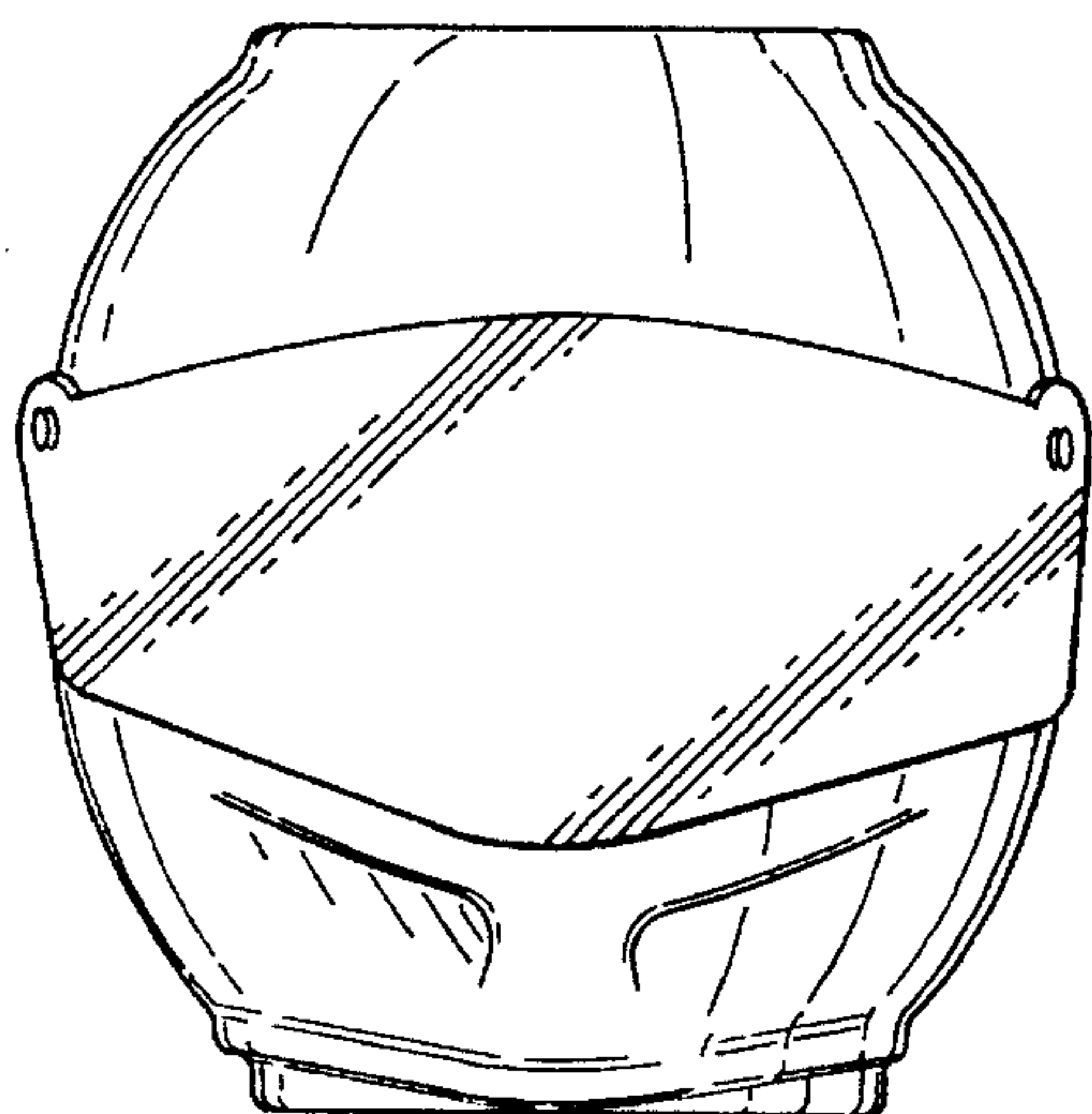


FIG-9

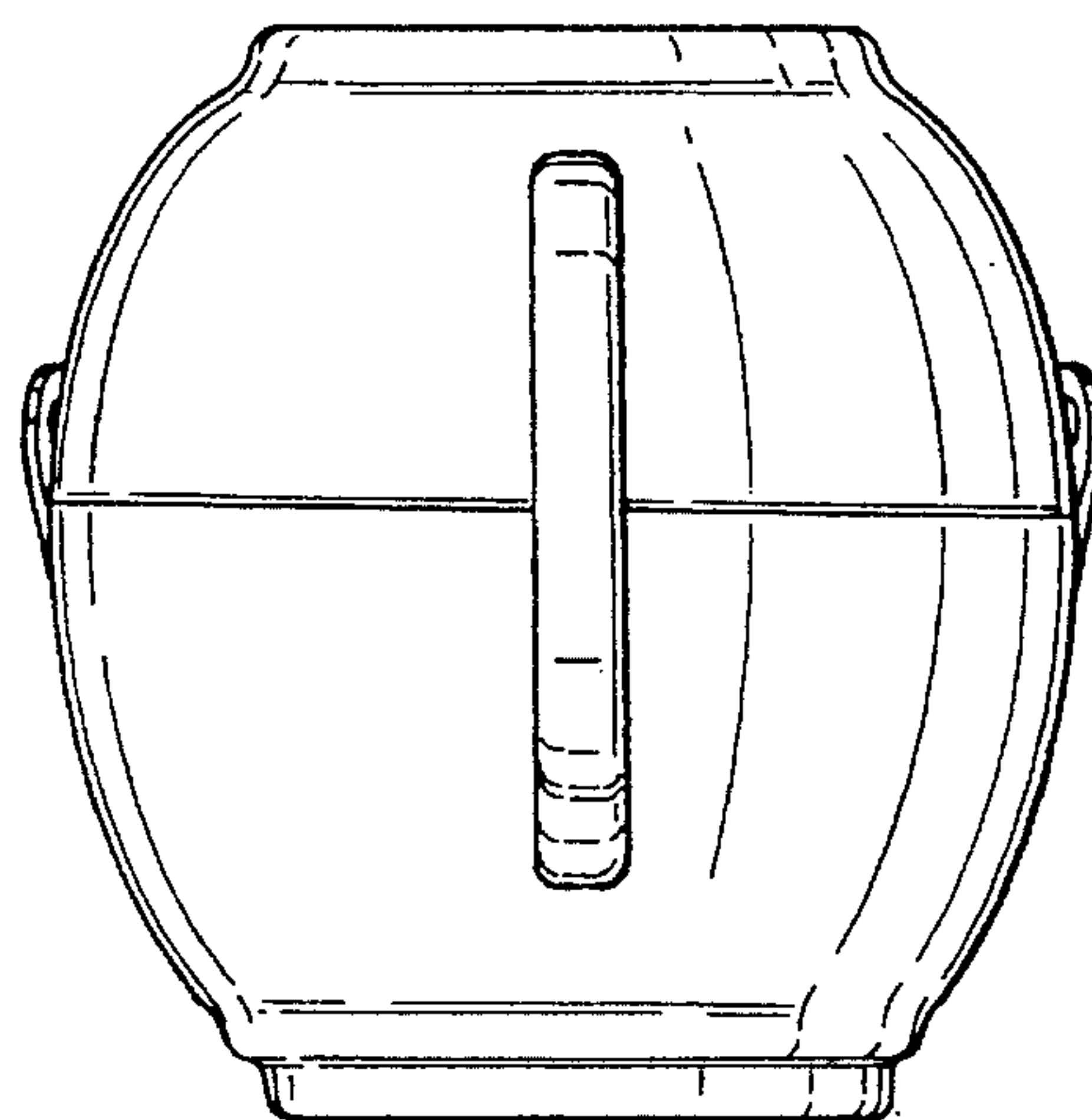


FIG-10

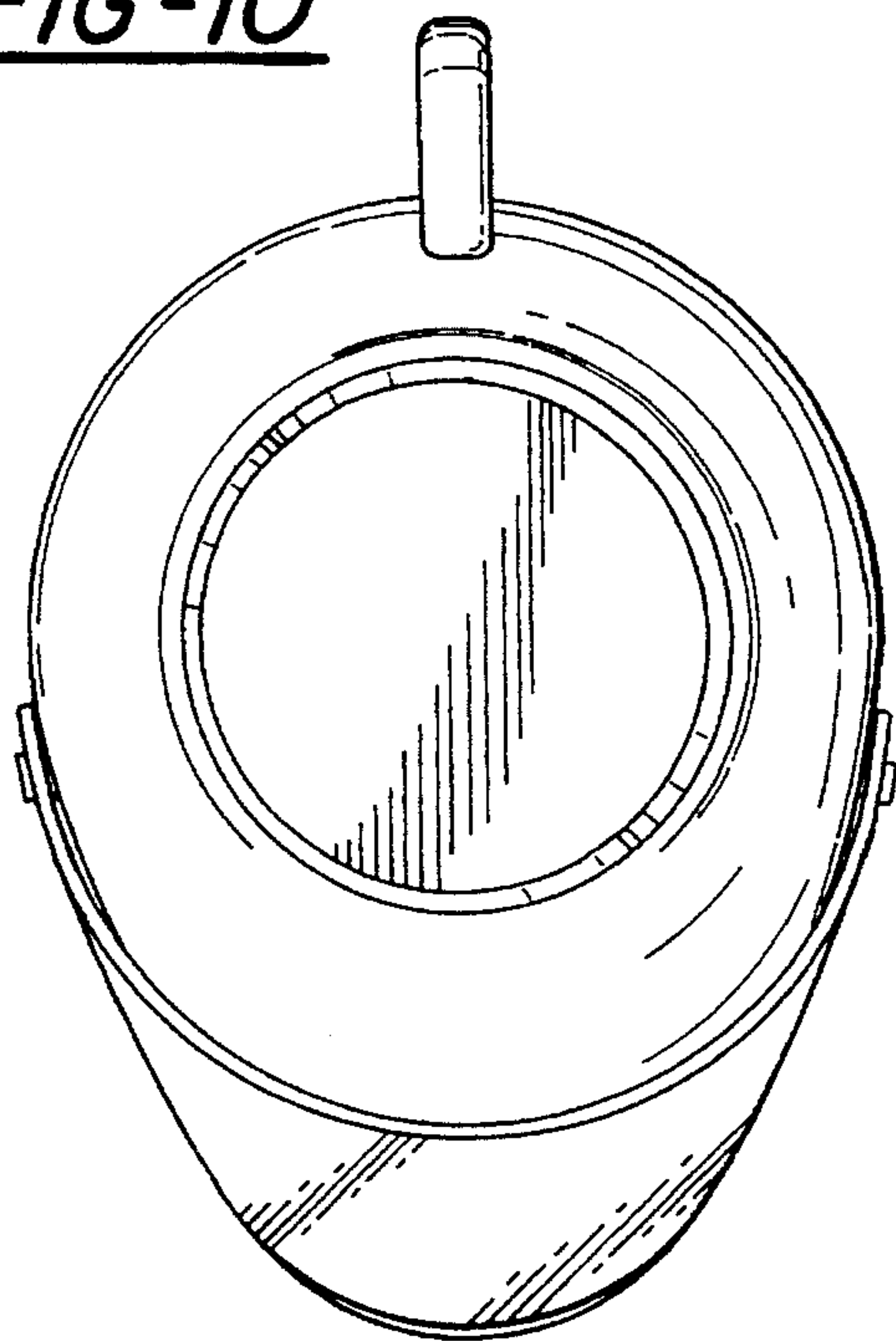


FIG-11

