



US00D370835S

United States Patent [19]
Nachtrab

[11] **Patent Number: Des. 370,835**
[45] **Date of Patent: **Jun. 18, 1996**

[54] **LAWN CHAIR BEVERAGE HOLDER**

[76] Inventor: **William R. Nachtrab**, 100 N. 4th St.,
Apt. #5, Park Falls, Wis. 54552

[**] Term: **14 Years**

[21] Appl. No.: **32,419**

[22] Filed: **Dec. 19, 1994**

[52] **U.S. Cl.** **D7/620**

[58] **Field of Search** D7/619-620; 211/71,
211/74, 86; 224/275, 400, 401; 248/231.8,
293, 310, 311.2, 313; 297/188.01, 188.2,
188.12, 188.14

[56] **References Cited**

U.S. PATENT DOCUMENTS

D. 255,635 7/1980 Valmassei D7/620
3,116,046 12/1963 Risdon D7/620 X
3,314,635 4/1967 Fryc D7/620 X

4,063,701 12/1977 Wray 248/293
4,560,128 12/1985 Willeby et al. 248/230
4,799,638 1/1989 Allen 248/311.2
4,997,156 3/1991 Allen 248/311.2
5,238,212 8/1993 Dechellis 248/311.2

Primary Examiner—Terry A. Wallace
Attorney, Agent, or Firm—Young & Basile

[57] **CLAIM**

The ornamental design for a lawn chair beverage holder, as shown and described.

DESCRIPTION

FIG. 1 is a top, front, left side perspective view of a lawn chair beverage holder showing my new design;
FIG. 2 is a top plan view thereof;
FIG. 3 is a bottom plan view thereof; and,
FIG. 4 is a left side elevation view thereof.

1 Claim, 1 Drawing Sheet

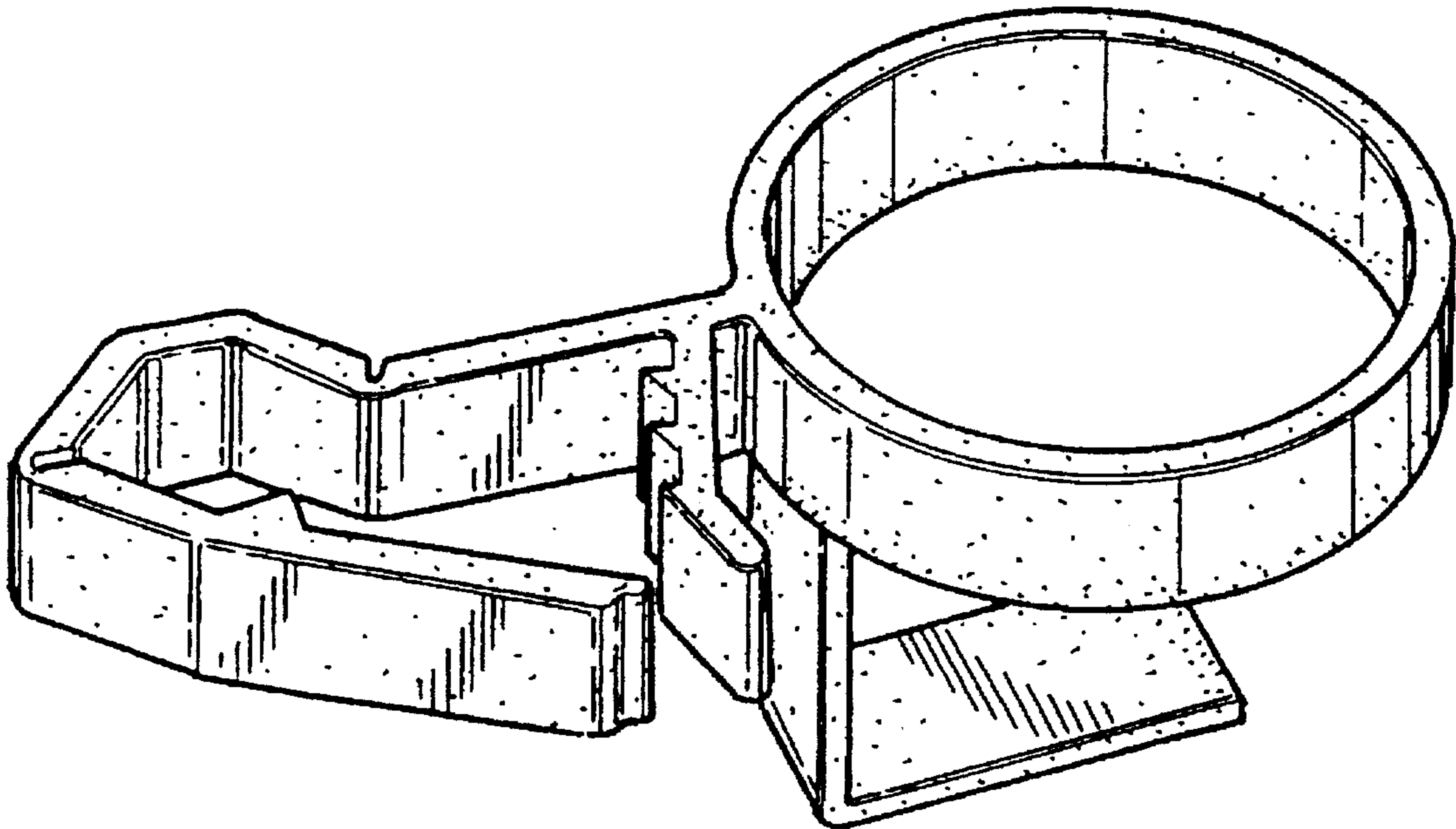


FIG-1

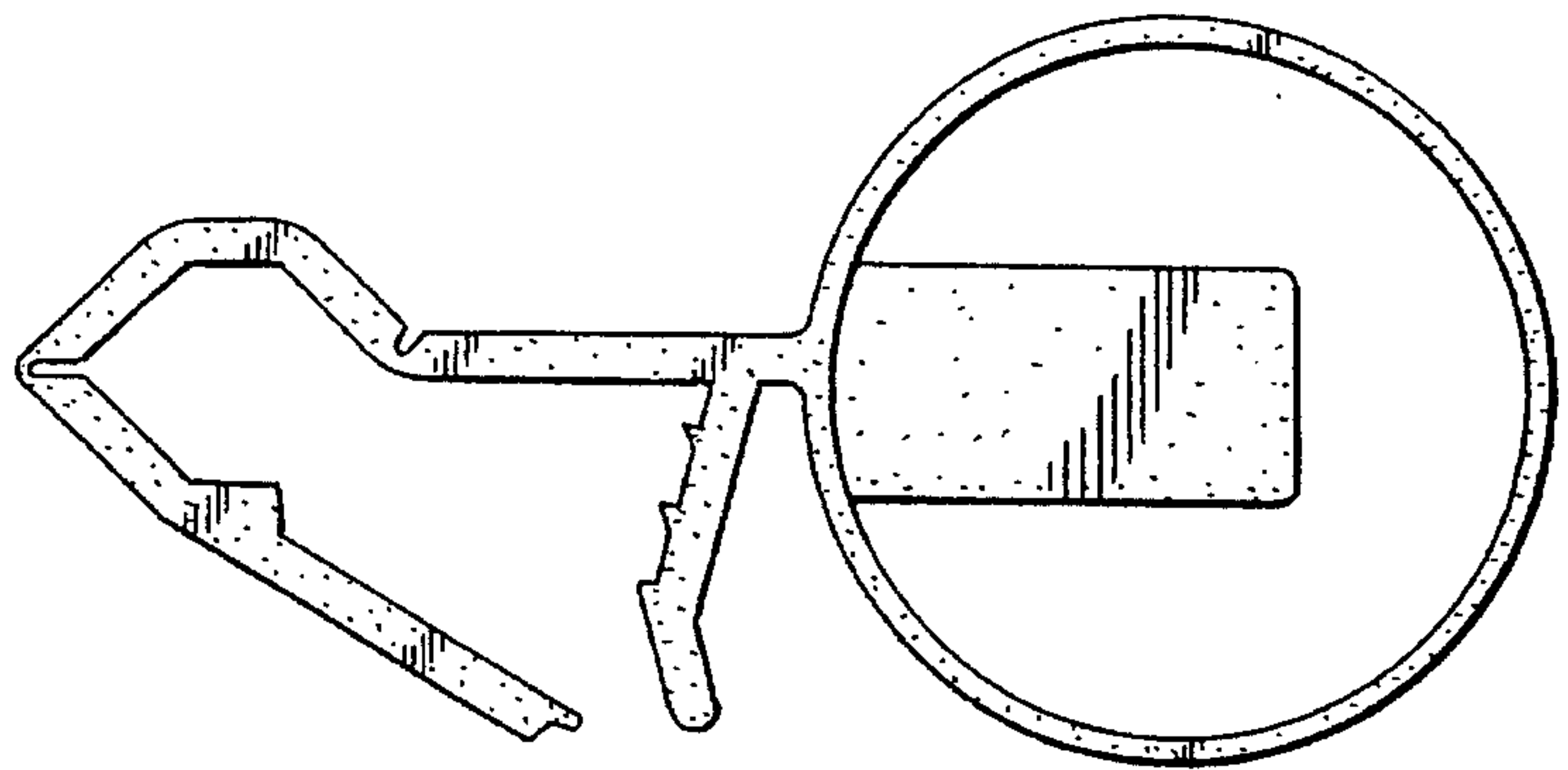
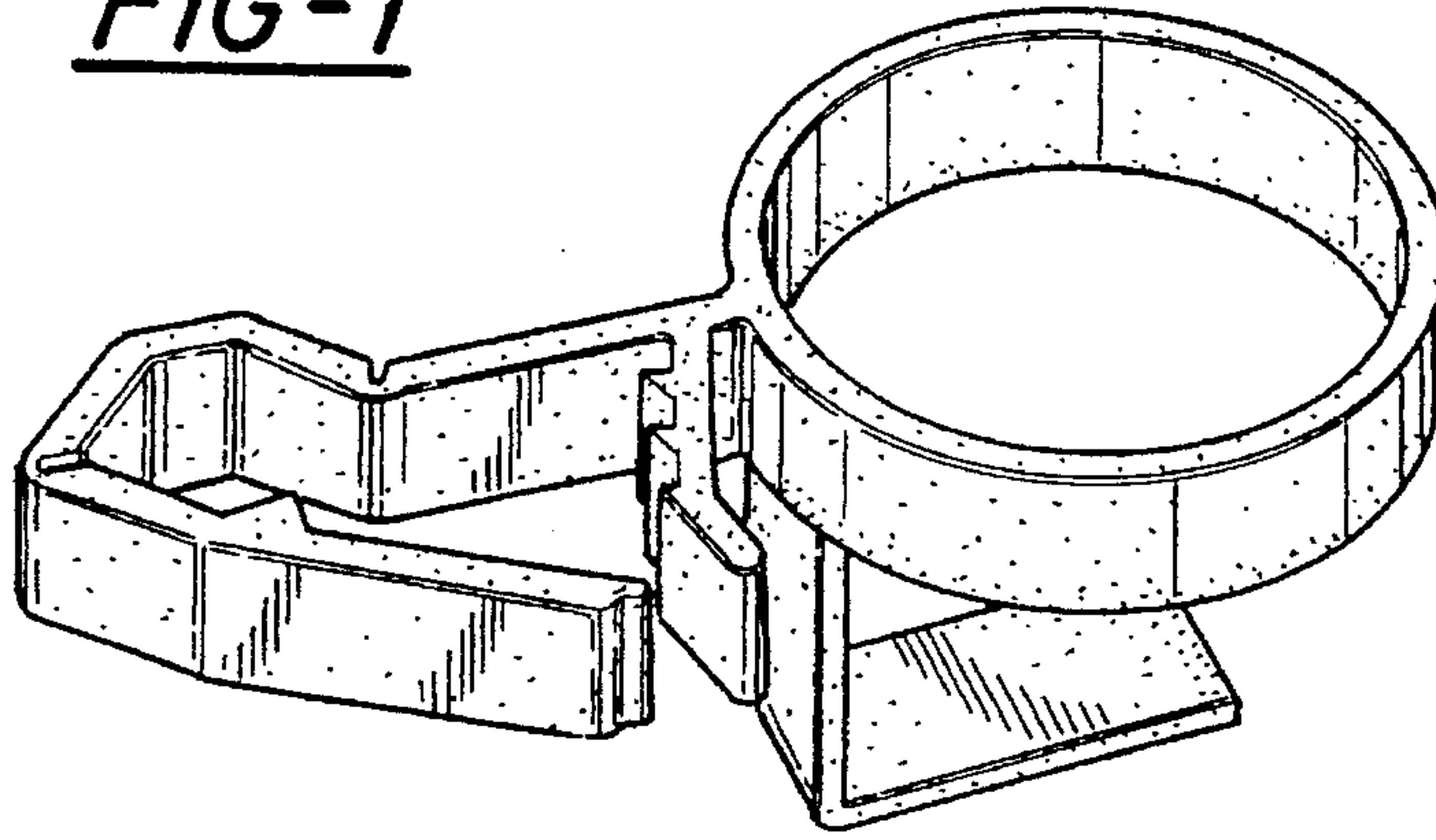


FIG-2

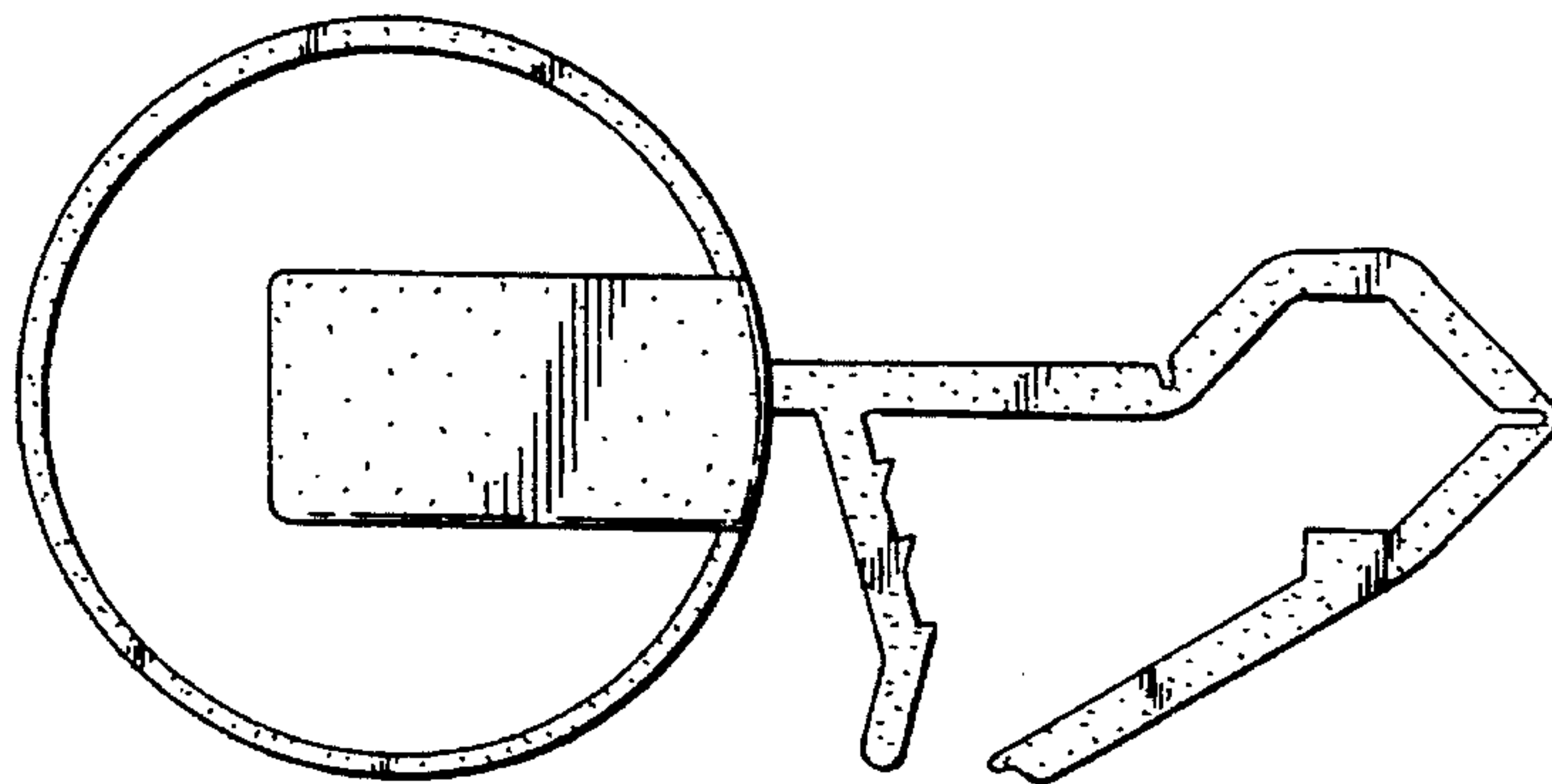


FIG-3

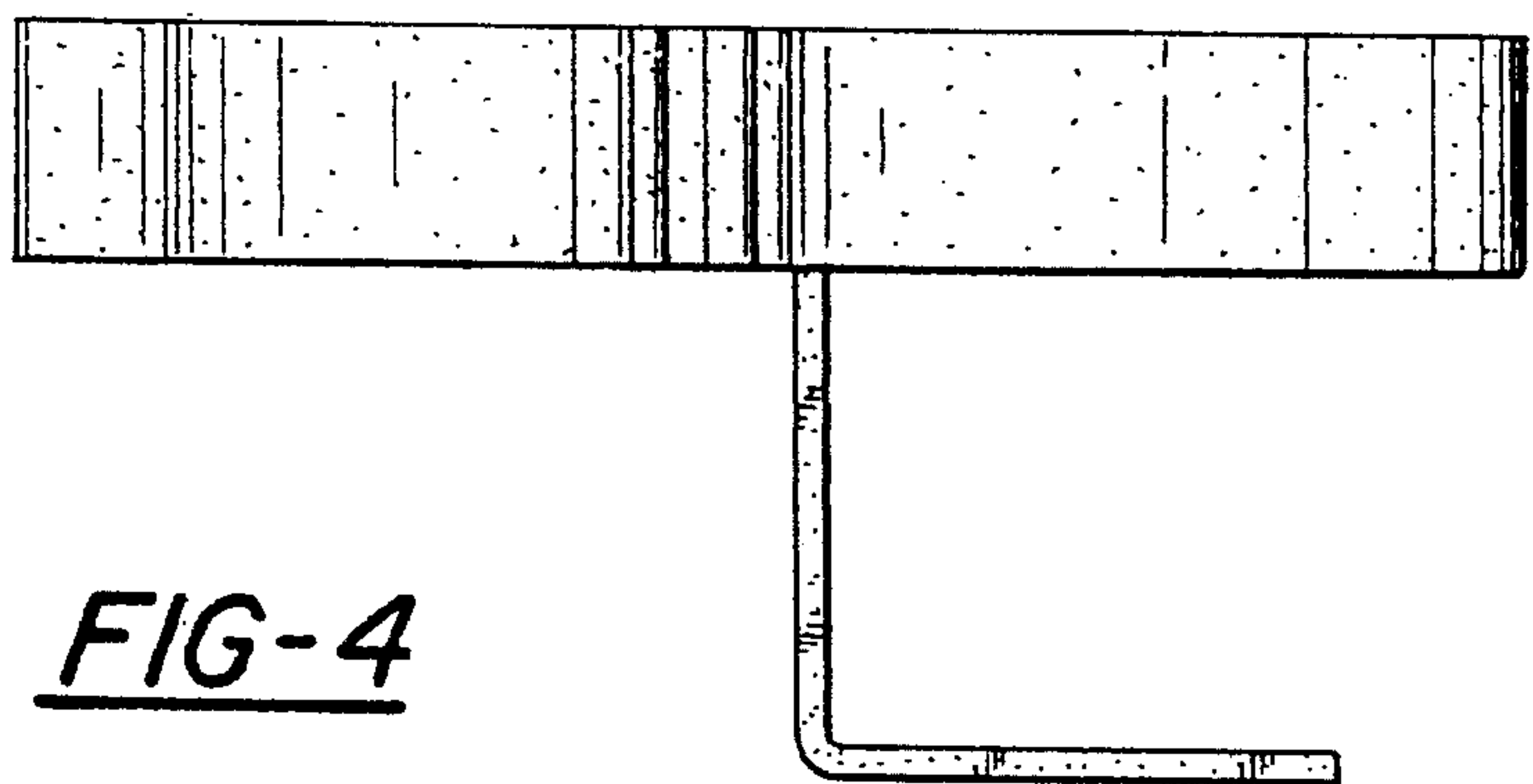


FIG-4