



US00D370832S

United States Patent [19]

Sorensen et al.

[11] Patent Number: **Des. 370,832**

[45] Date of Patent: ****Jun. 18, 1996**

[54] **DISPENSER FOR GRANULAR PRODUCTS**

[75] Inventors: **Gerald R. Sorensen**, Elgin; **Raymond J. Gradecki**, Mundelein, both of Ill.

[73] Assignee: **NCM International, Inc.**, Arlington Heights, Ill.

[**] Term: **14 Years**

[21] Appl. No.: **21,540**

[22] Filed: **Apr. 20, 1994**

[52] U.S. Cl. **D7/589**

[58] Field of Search D7/322, 393, 398, D7/401.1, 589, 590; D9/443, 447; 222/454, 469, 465.1, 470, 472, 566, 567, 475.1, 570

[56] **References Cited**

U.S. PATENT DOCUMENTS

D. 225,436 12/1972 Collins D7/321

D. 320,561 10/1991 Glazer D9/443
2,258,002 10/1941 Kay 222/470
4,655,373 4/1987 Essen 222/465.1

Primary Examiner—Terry A. Wallace
Attorney, Agent, or Firm—Wallenstein & Wagner, Ltd.

[57] CLAIM

The ornamental design for a dispenser for granular products, as shown and described.

DESCRIPTION

FIG. 1 is a perspective view of a dispenser for granular products showing our new design; FIG. 2 is a right side elevation view thereof, the opposite side being a mirror image; FIG. 3 is a top plan view thereof; FIG. 4 is a bottom plan view thereof; FIG. 5 is a front elevation view thereof; and, FIG. 6 is a rear elevation view thereof.

1 Claim, 3 Drawing Sheets

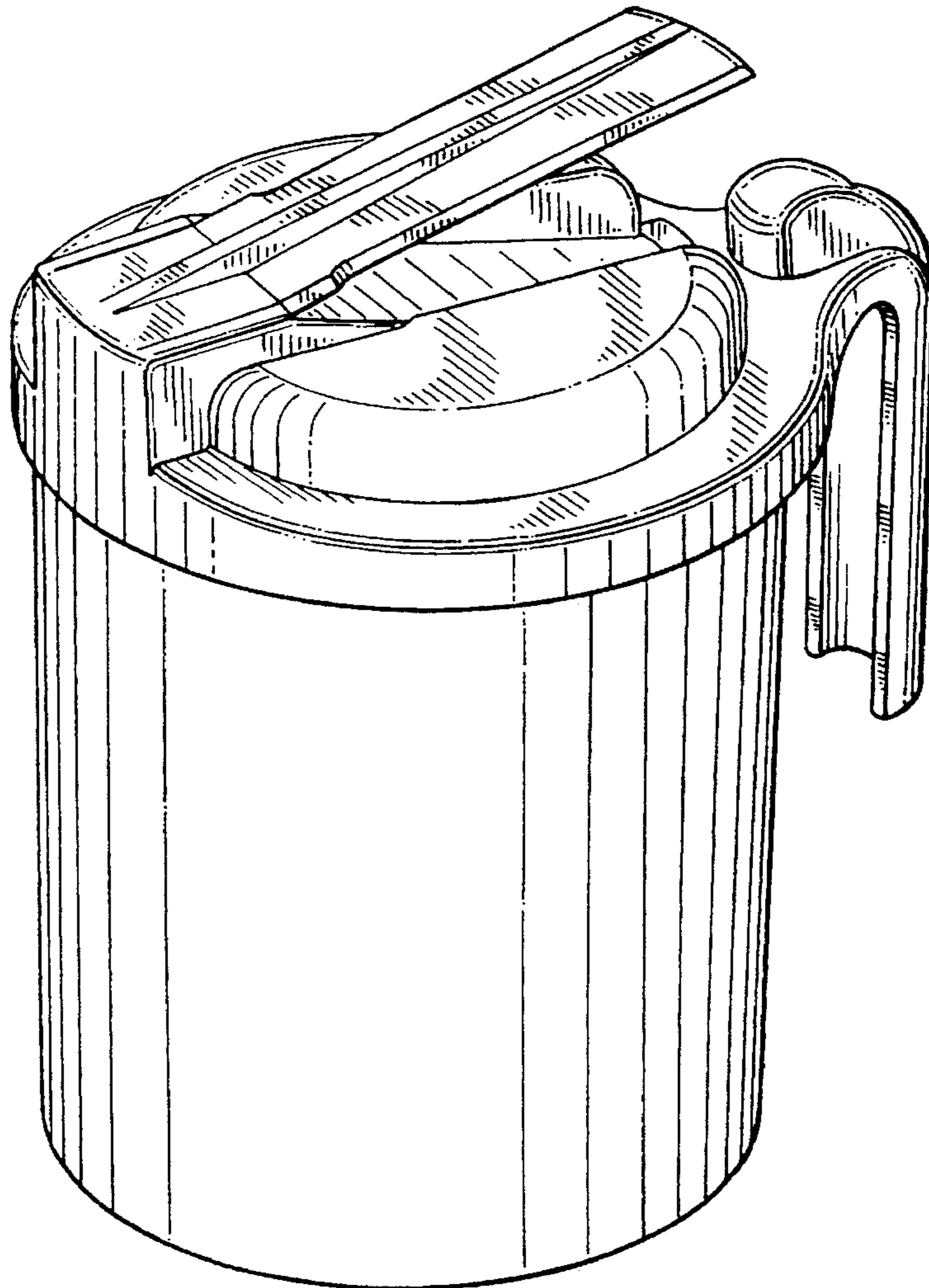


FIG. 2

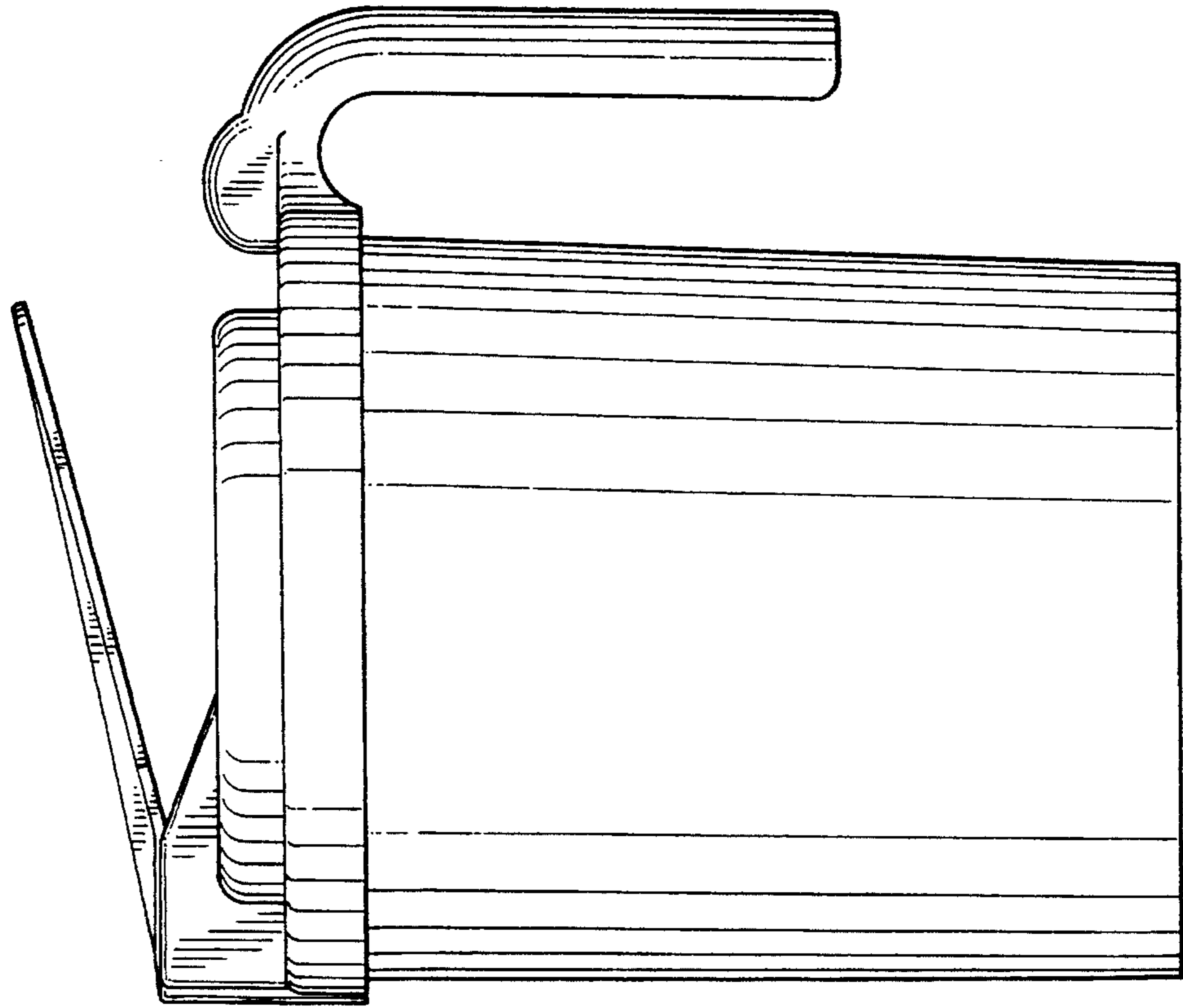


FIG. 1

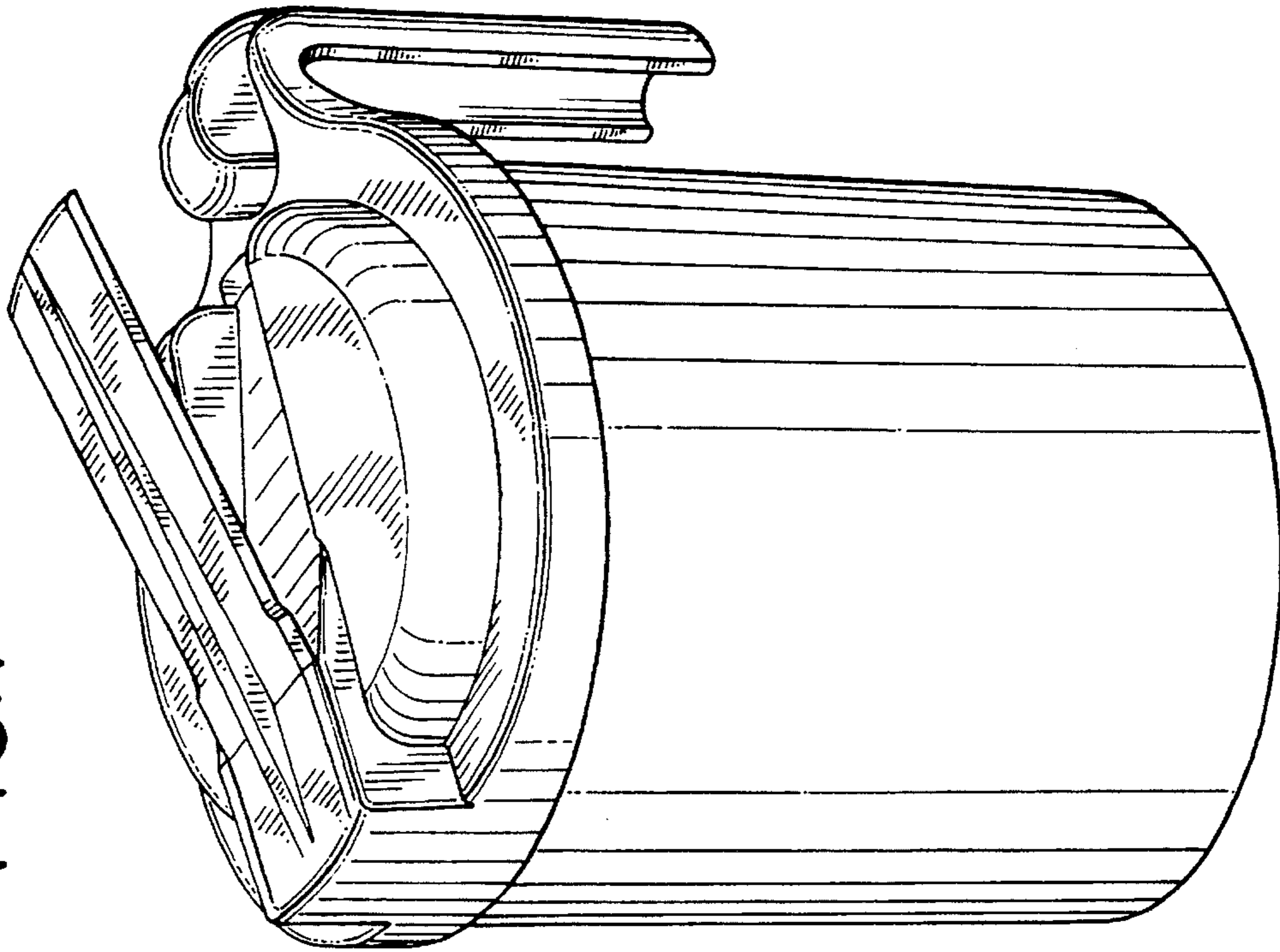


FIG. 3

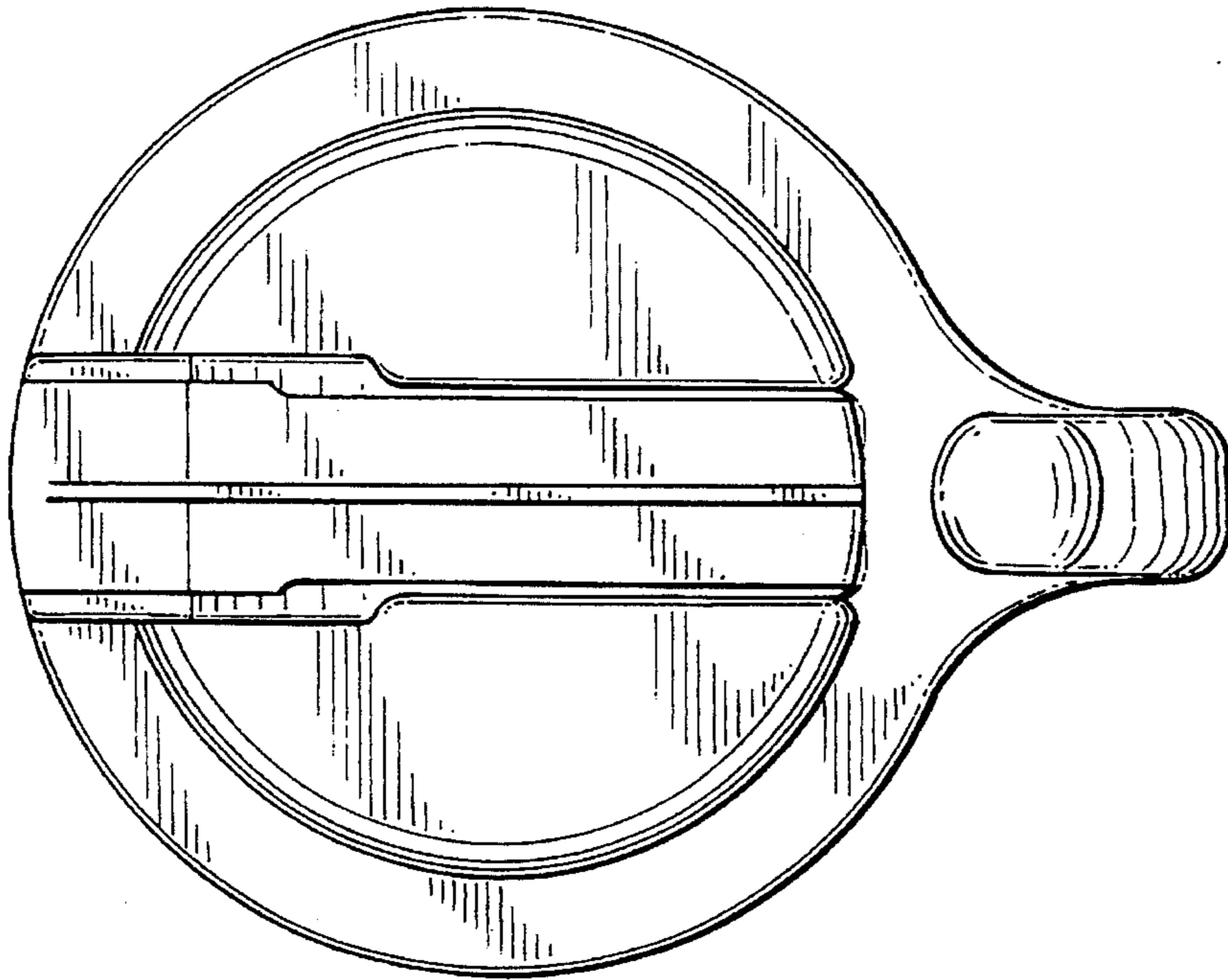


FIG. 4

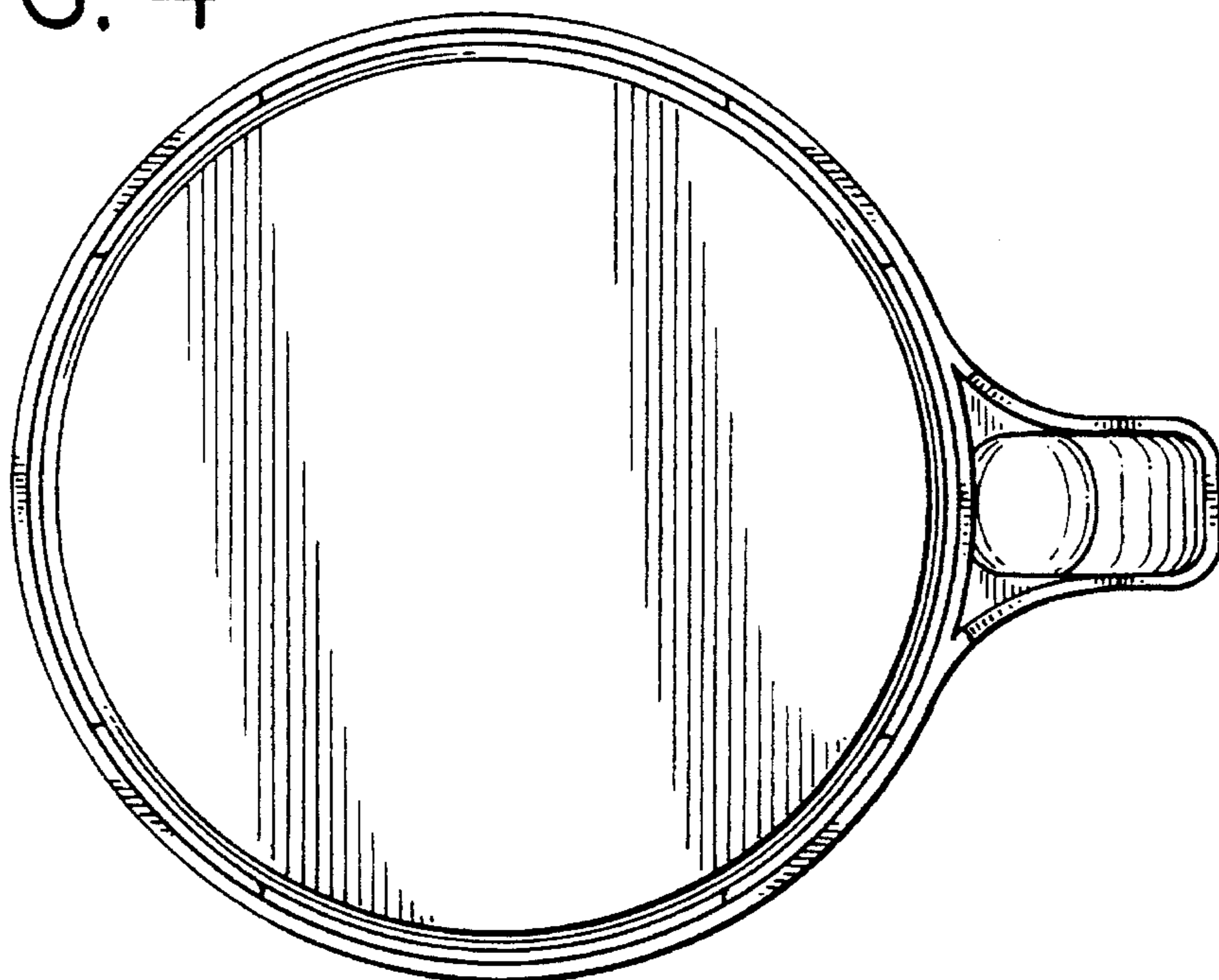


FIG. 6

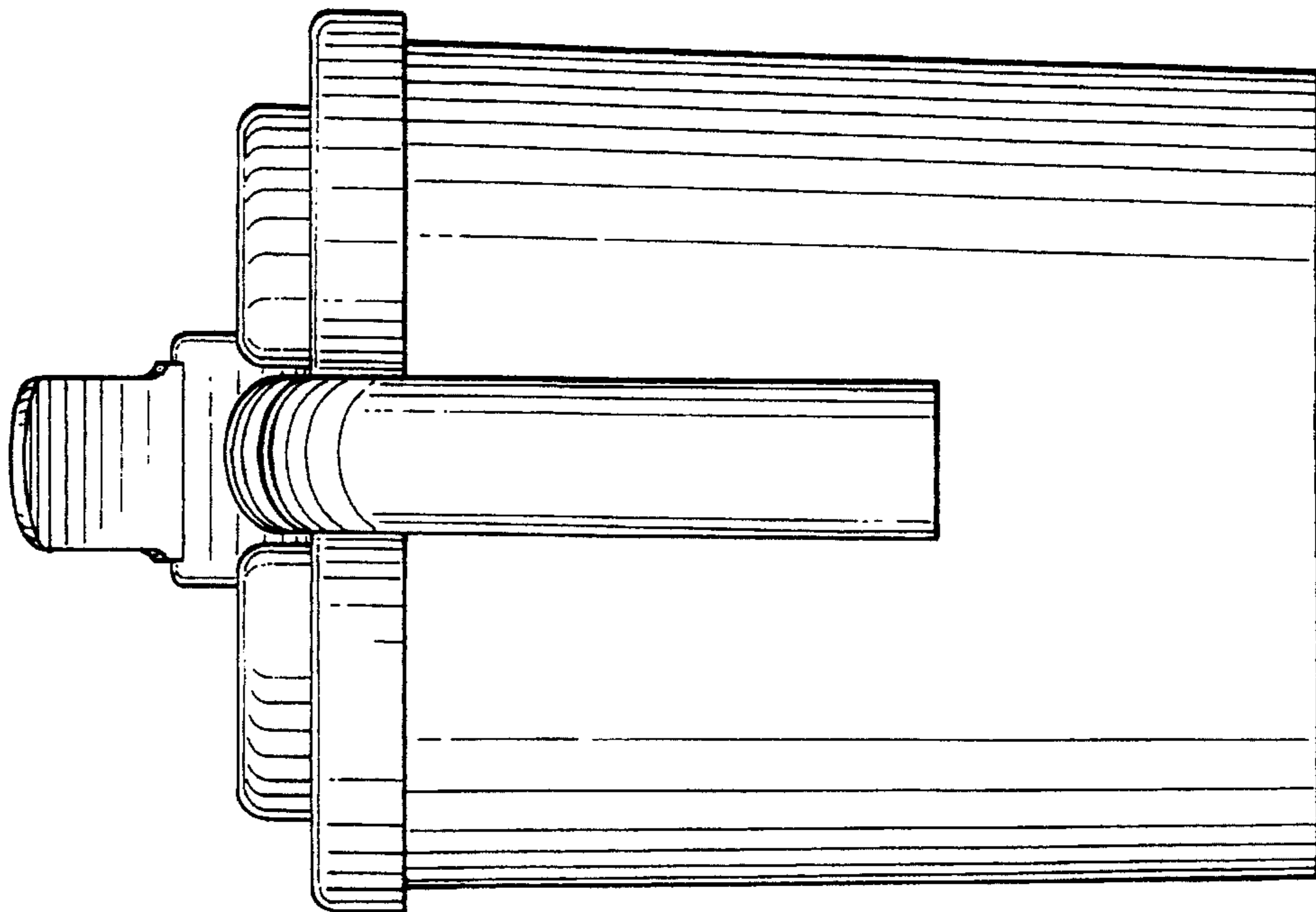


FIG. 5

