



US00D370831S

# United States Patent [19]

Steinfels, III et al.

[11] Patent Number: **Des. 370,831**

[45] Date of Patent: **\*\*Jun. 18, 1996**

[54] **COMBINED BEVERAGE CONTAINER AND MEGAPHONE**

[76] Inventors: **Victor E. Steinfels, III**, 8627 Gavington Ct., Dublin, Ohio 43017; **D. Randall Everson**, 415 Water St., P.O. Box 67, Shell Rock, Iowa 50670

[\*\*] Term: **14 Years**

[21] Appl. No.: **28,281**

[22] Filed: **Sep. 9, 1994**

[52] U.S. Cl. .... **D7/536; D7/533; D7/511; D7/513**

[58] Field of Search ..... **D7/509, 510, 511, D7/512, 513, 507, 514, 515, 516, 517, 533, 534, 535, 536, 523, 529, 531, 532, 619, 622; 215/DIG. 7; 220/703, 705, 704**

[56] **References Cited**

**U.S. PATENT DOCUMENTS**

D. 275,438	9/1984	Everson	.....	D7/507
D. 283,772	5/1986	Vail	.....	D7/536
D. 321,455	11/1991	Duquaine, Jr. et al.	.....	D7/536 X
962,641	6/1910	Kaufman	.....	220/703
2,885,134	5/1959	Cohen	.....	D7/507 X
4,618,066	10/1986	Vail	.....	D7/536 X

**FOREIGN PATENT DOCUMENTS**

782971	7/1935	France	.....	D7/513
--------	--------	--------	-------	--------

**OTHER PUBLICATIONS**

Tudric Pewter Tankard #7003, Tableware International Mar. 1977, p. 35.

*Primary Examiner*—M. N. Pandozzi  
*Attorney, Agent, or Firm*—Mueller and Smith

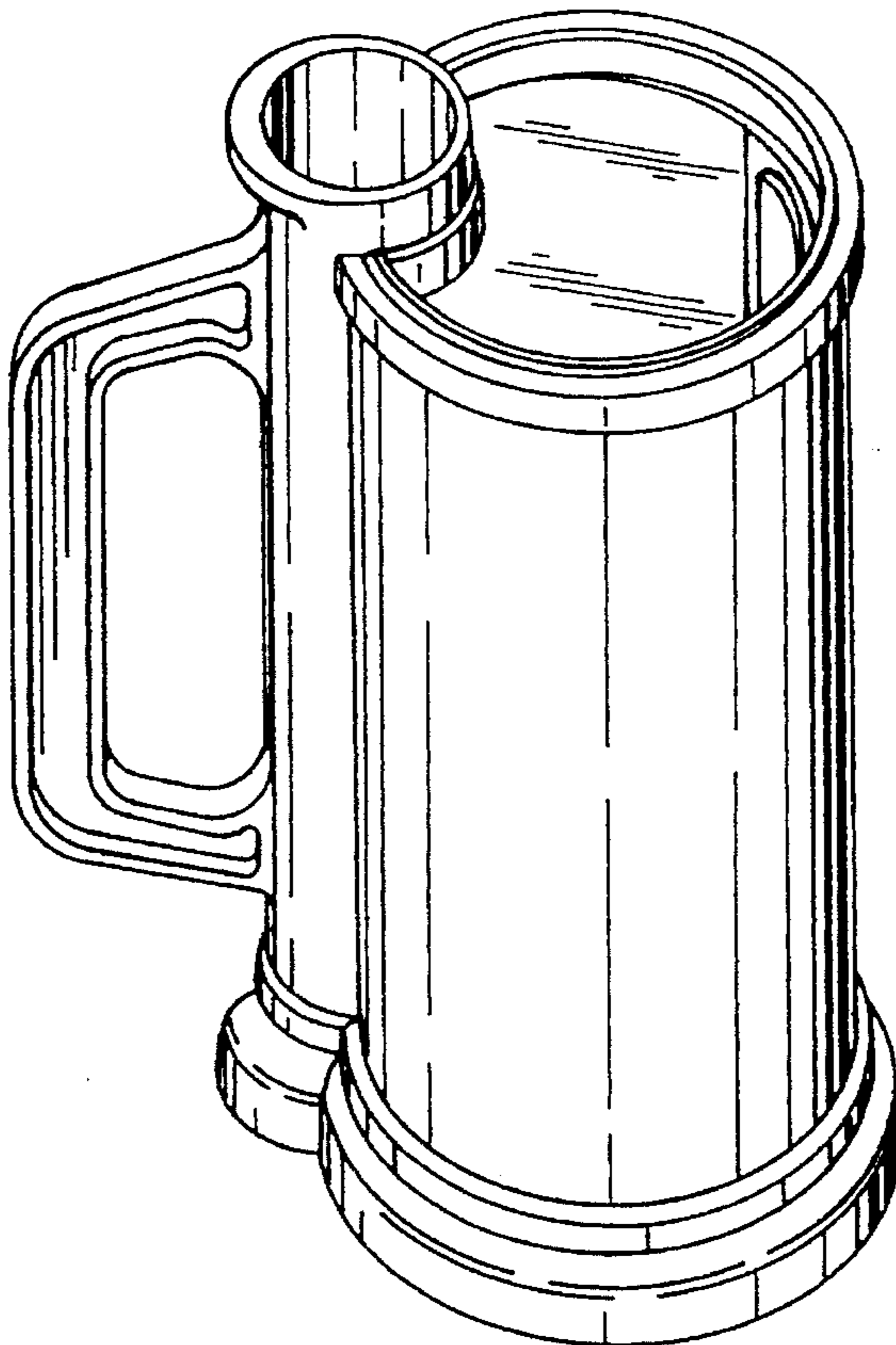
[57] **CLAIM**

The ornamental design for combined beverage container and megaphone, as shown.

**DESCRIPTION**

FIG. 1 is a right side perspective view of a first embodiment of the combined beverage container and megaphone showing our new design;  
FIG. 2 is a left side view thereof;  
FIG. 3 is a front view thereof;  
FIG. 4 is a rear view thereof;  
FIG. 5 is a top view thereof;  
FIG. 6 is a bottom view thereof;  
FIG. 7 is a right side perspective view of a second embodiment of the combined beverage container and megaphone showing our new design;  
FIG. 8 is a left side view thereof;  
FIG. 9 is a front view thereof;  
FIG. 10 is a rear view thereof;  
FIG. 11 is a top view thereof; and,  
FIG. 12 is a bottom view thereof.

**1 Claim, 4 Drawing Sheets**



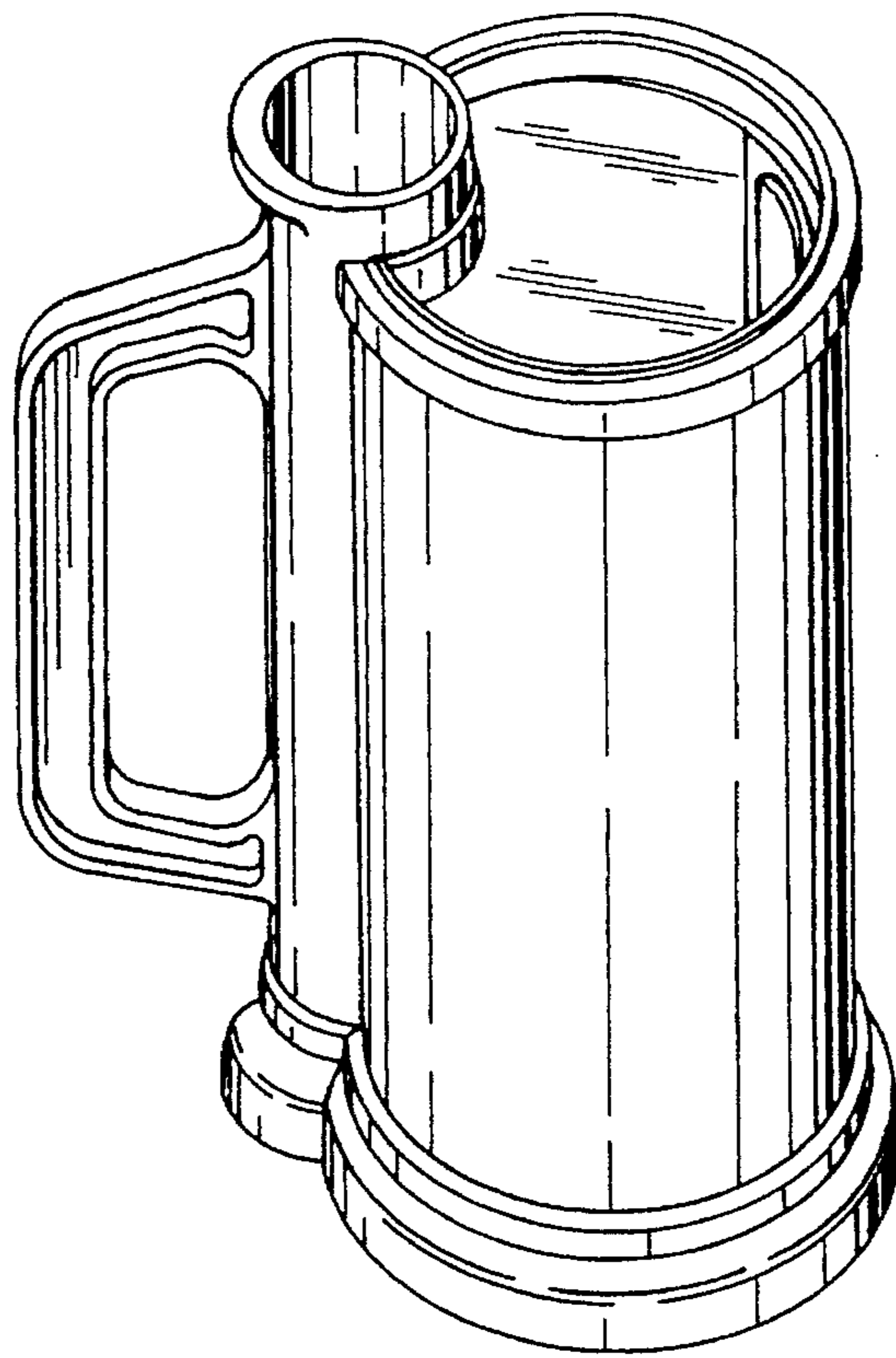


FIG. 1

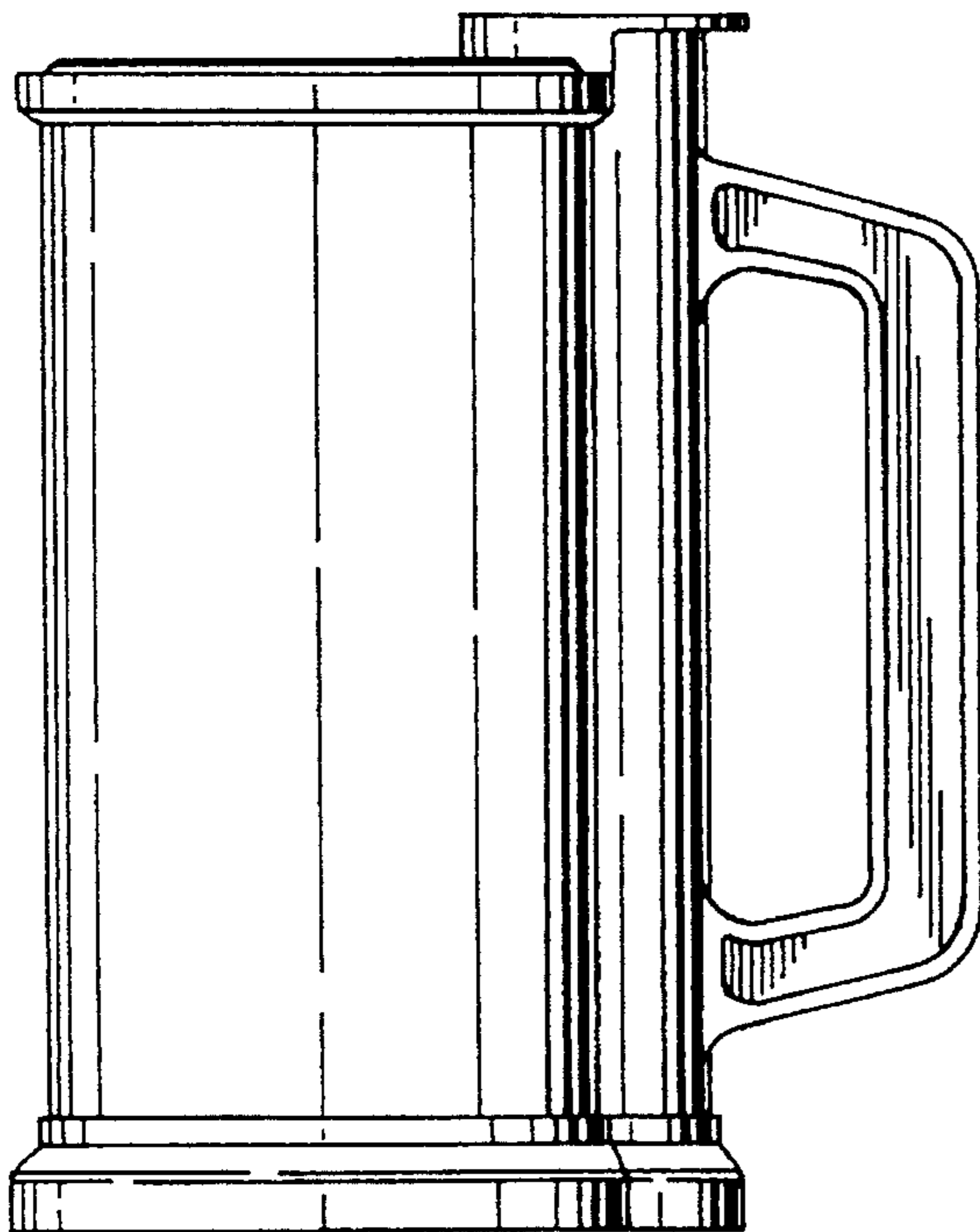


FIG. 2

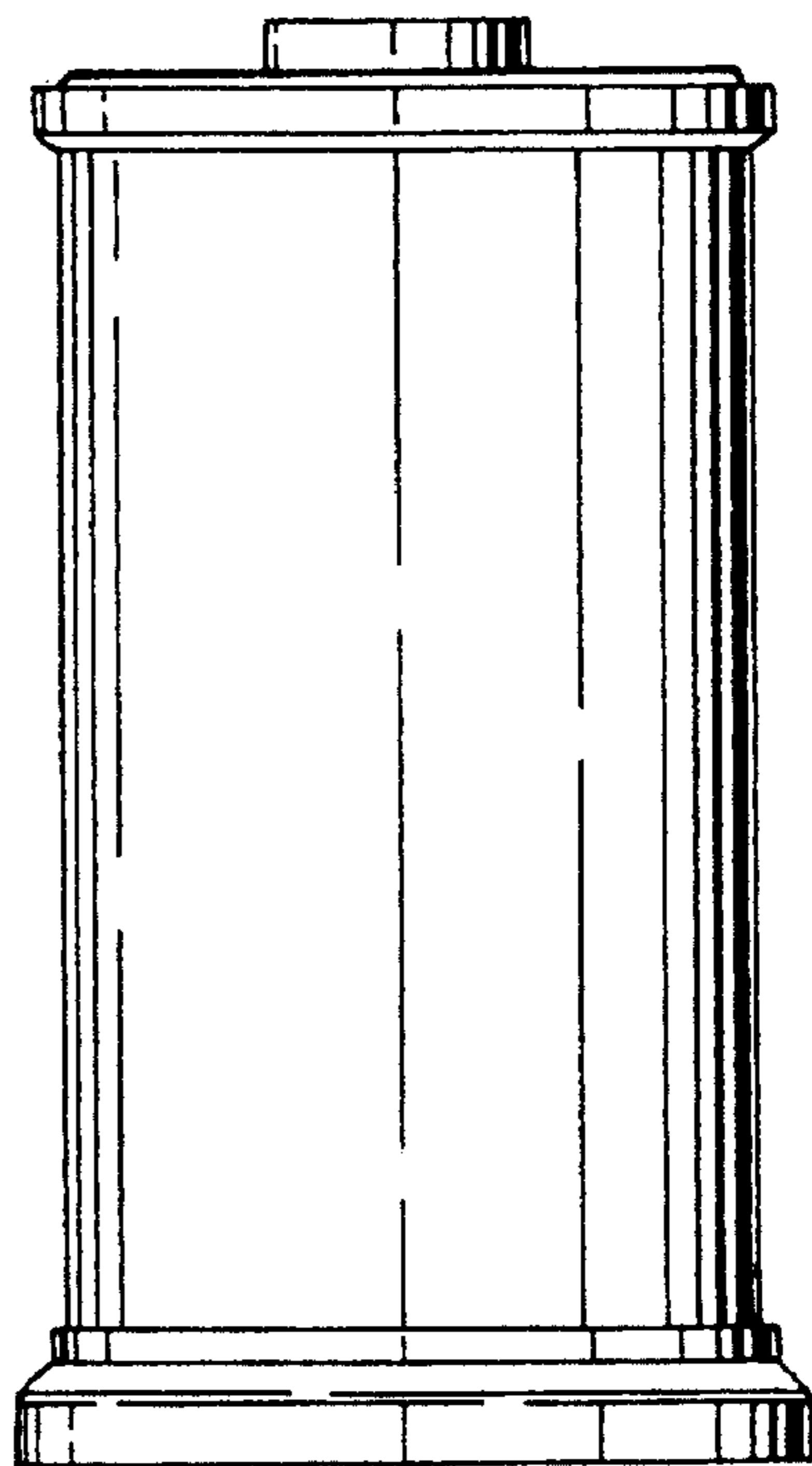


FIG. 3

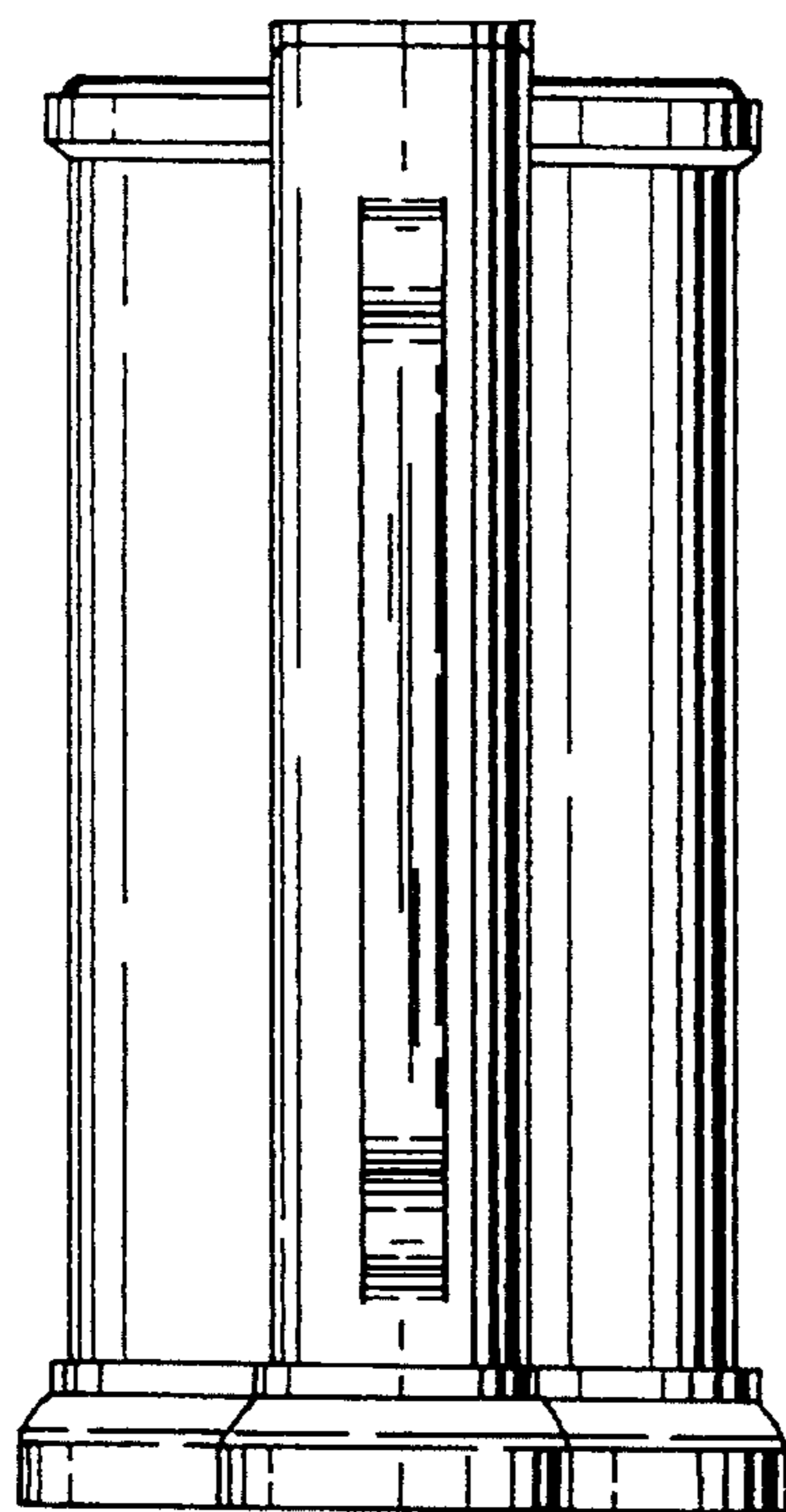


FIG. 4

FIG. 5

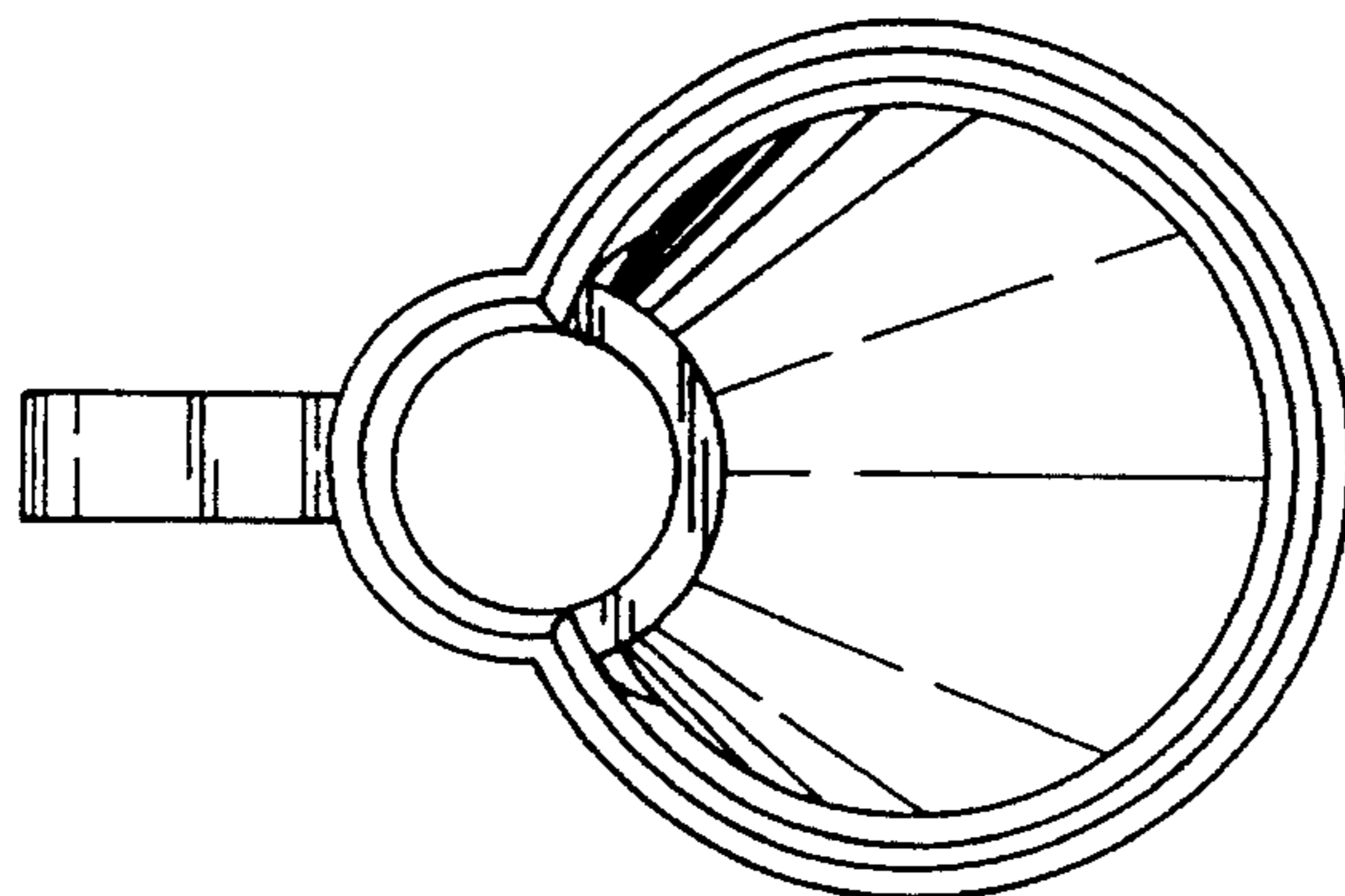
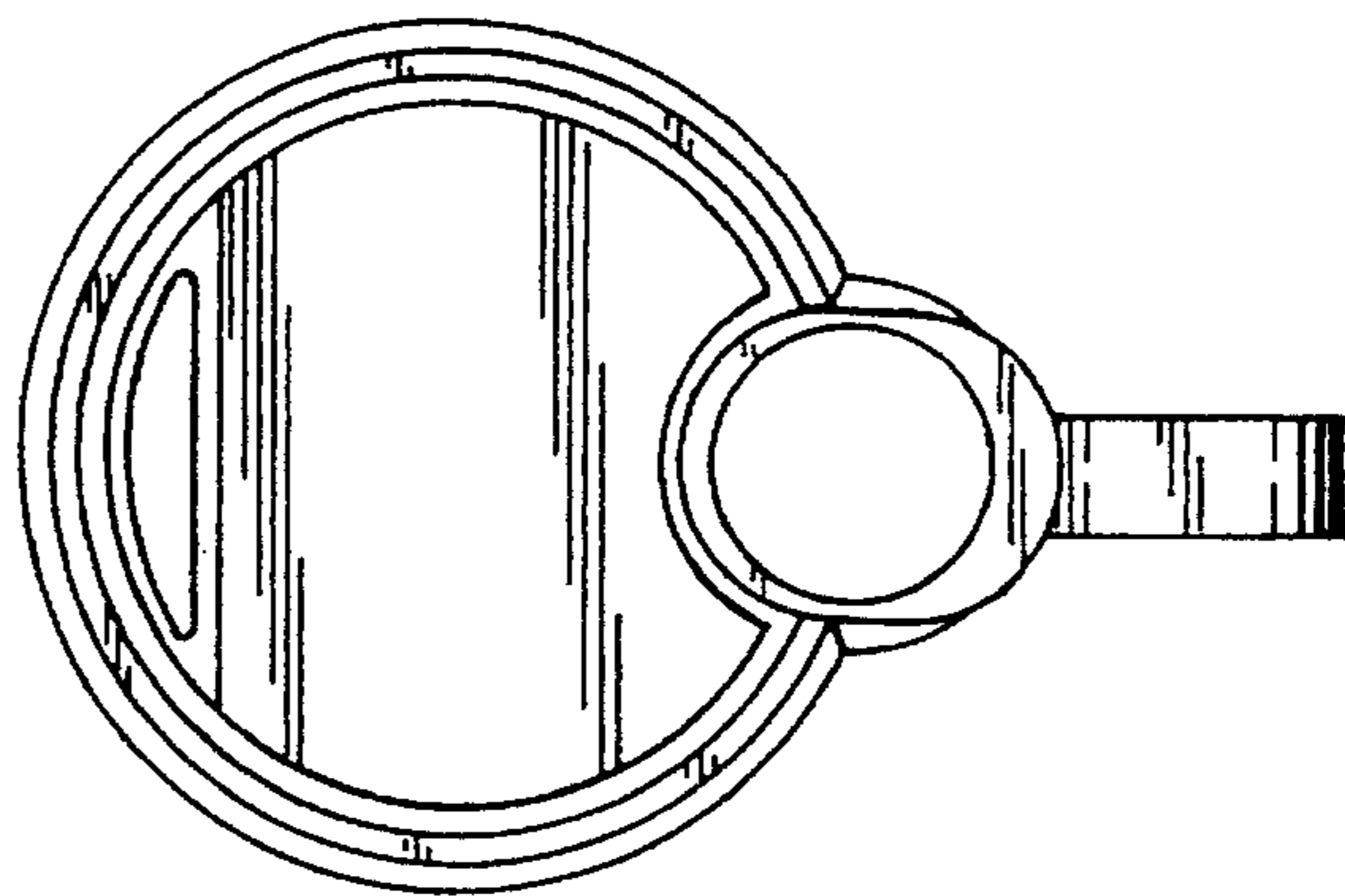


FIG. 6

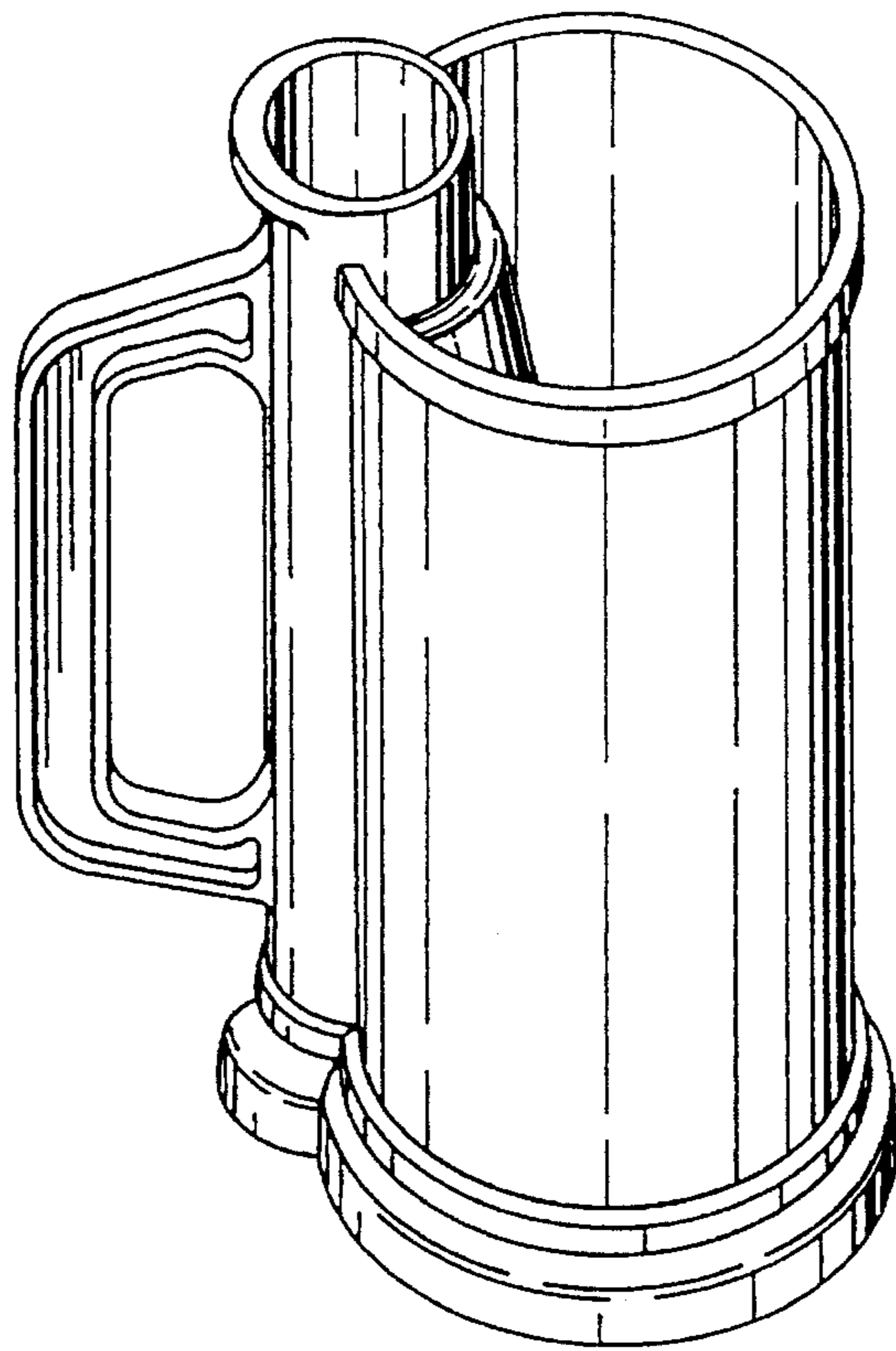


FIG. 7

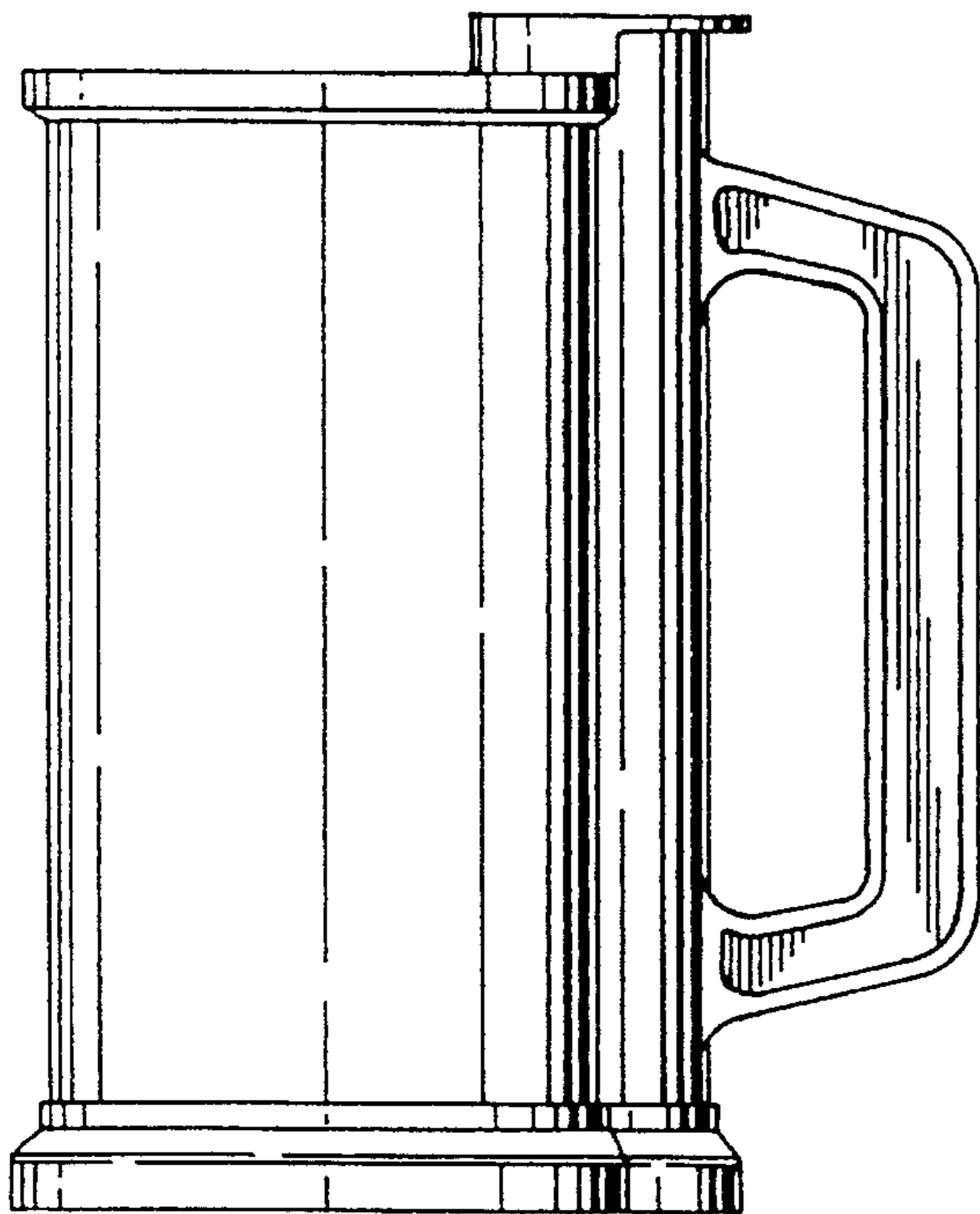


FIG. 8

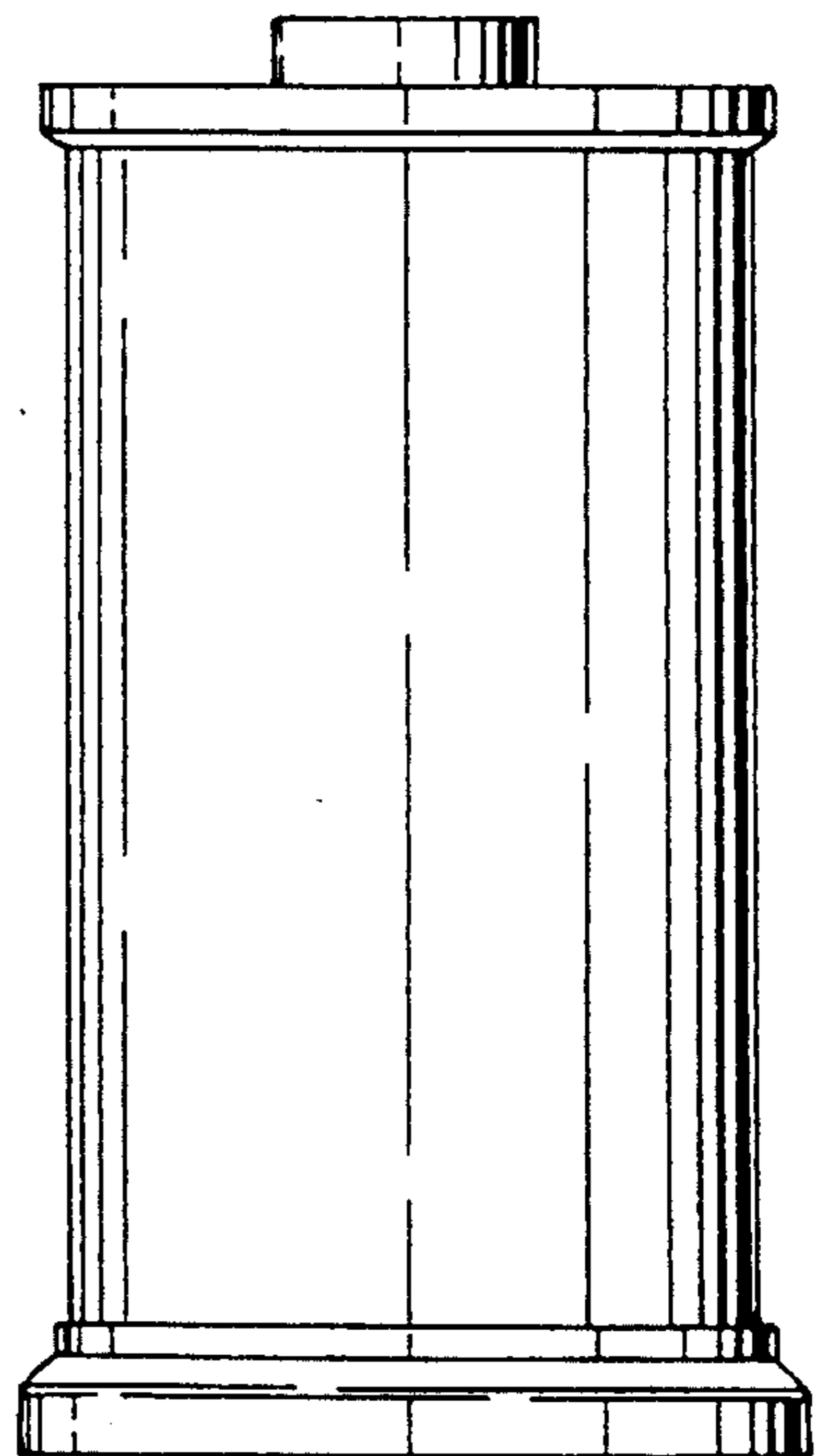


FIG. 9

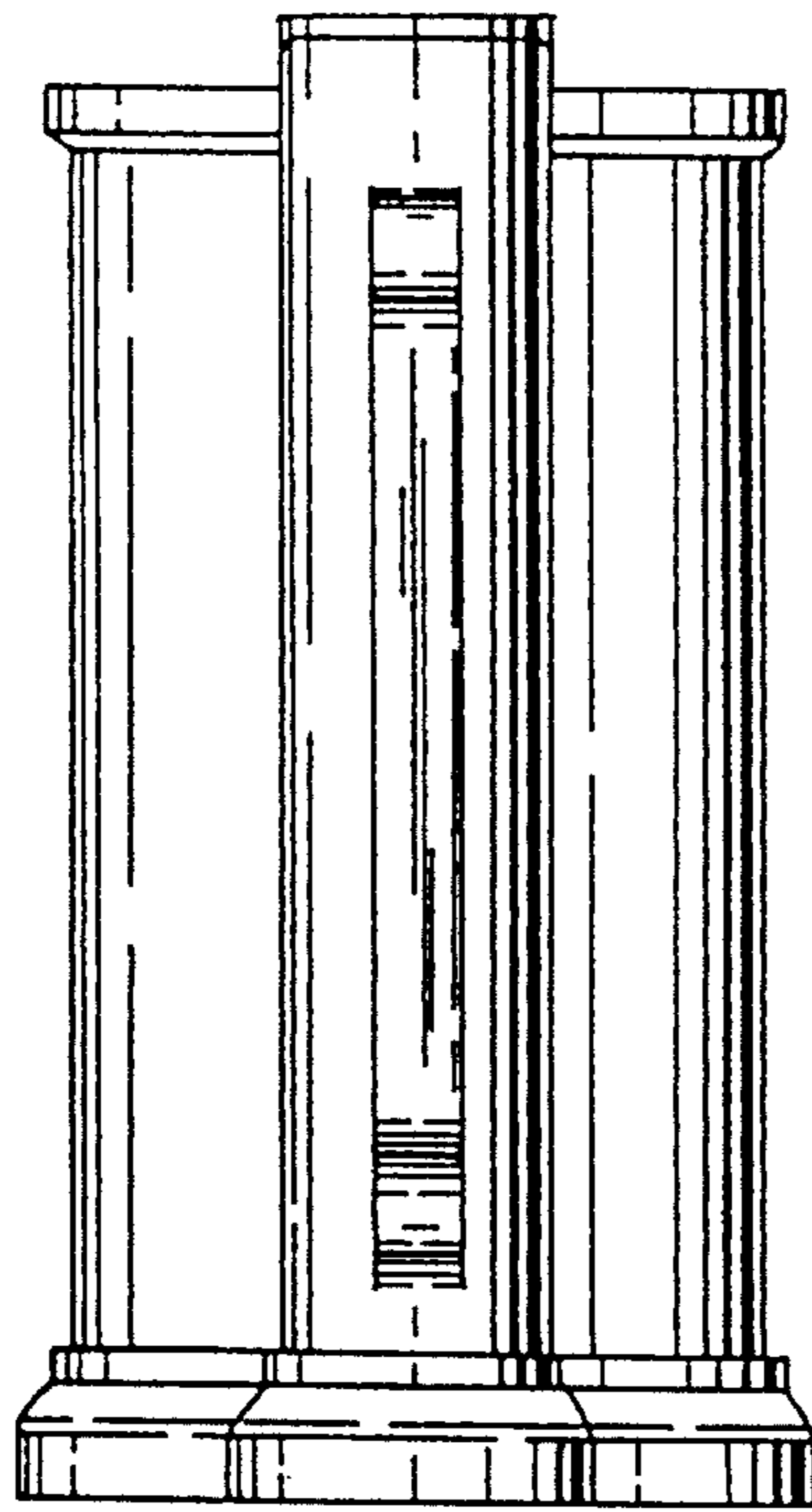


FIG. 10

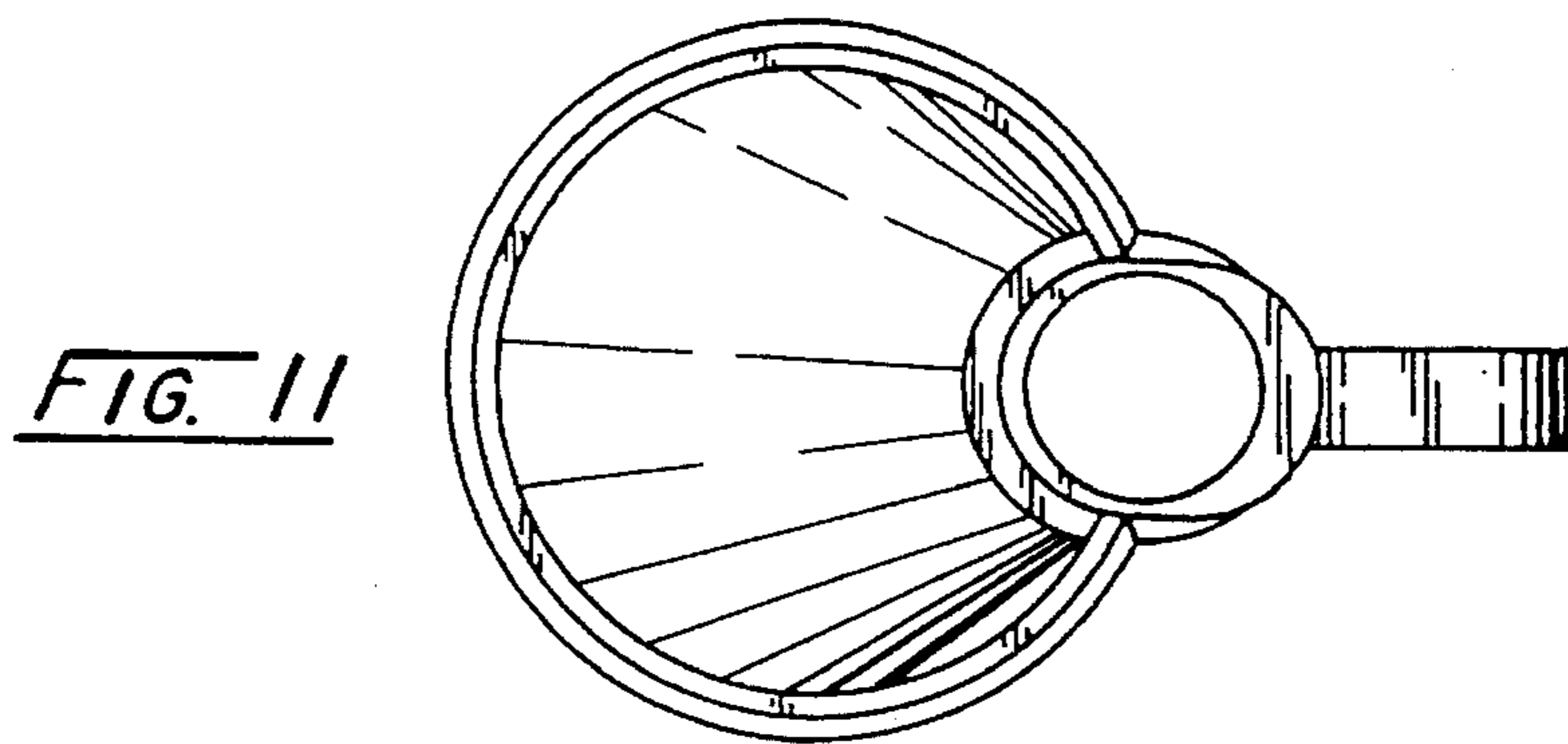


FIG. 11

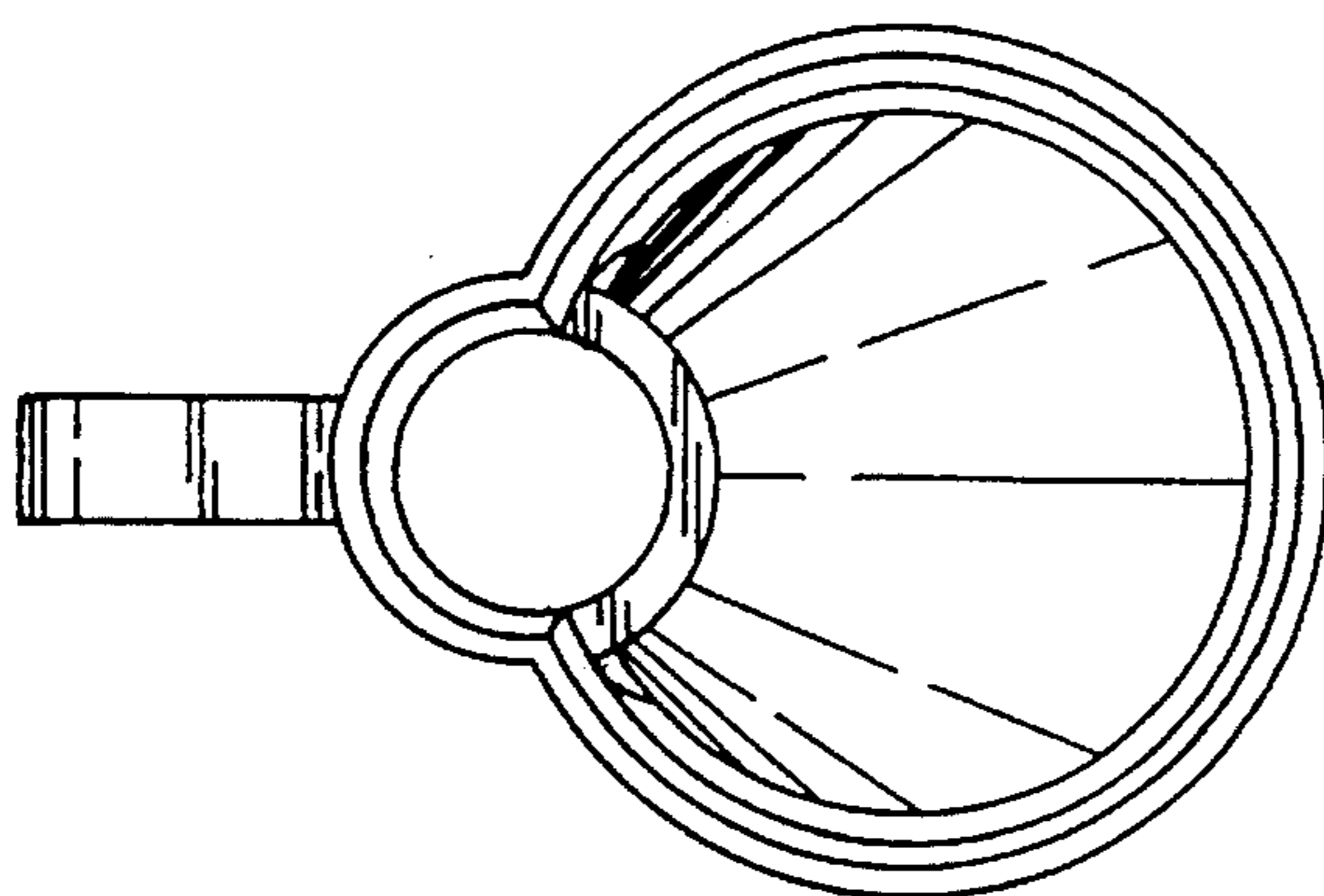


FIG. 12