



US00D370829S

United States Patent [19]

Neale

[11] Patent Number: Des. 370,829

[45] Date of Patent: **Jun. 18, 1996

[54] CUP

D. 360,109 7/1995 Blankenberg et al. D7/515

[76] Inventor: James Neale, 2277 Koebel Rd., Columbus, Ohio 43207

[**] Term: 14 Years

[21] Appl. No.: 35,211

[22] Filed: Feb. 22, 1995

[52] U.S. Cl. D7/515; D7/533

[58] Field of Search D7/515, 514, 516, D7/506, 623, 507, 509, 523, 524, 537, 533, 534, 535, 536; D9/307; D21/204

OTHER PUBLICATIONS

Baseball Mug (P14548) Family Weekly Dec. 29, 1974 p. G Bottom Right Panel (Magazine Section from Wash. Star News).

Primary Examiner—M. N. Pandozzi
Attorney, Agent, or Firm—Thompson Hine & Flory

[57] CLAIM

The ornamental design for a cup, as shown and described.

DESCRIPTION

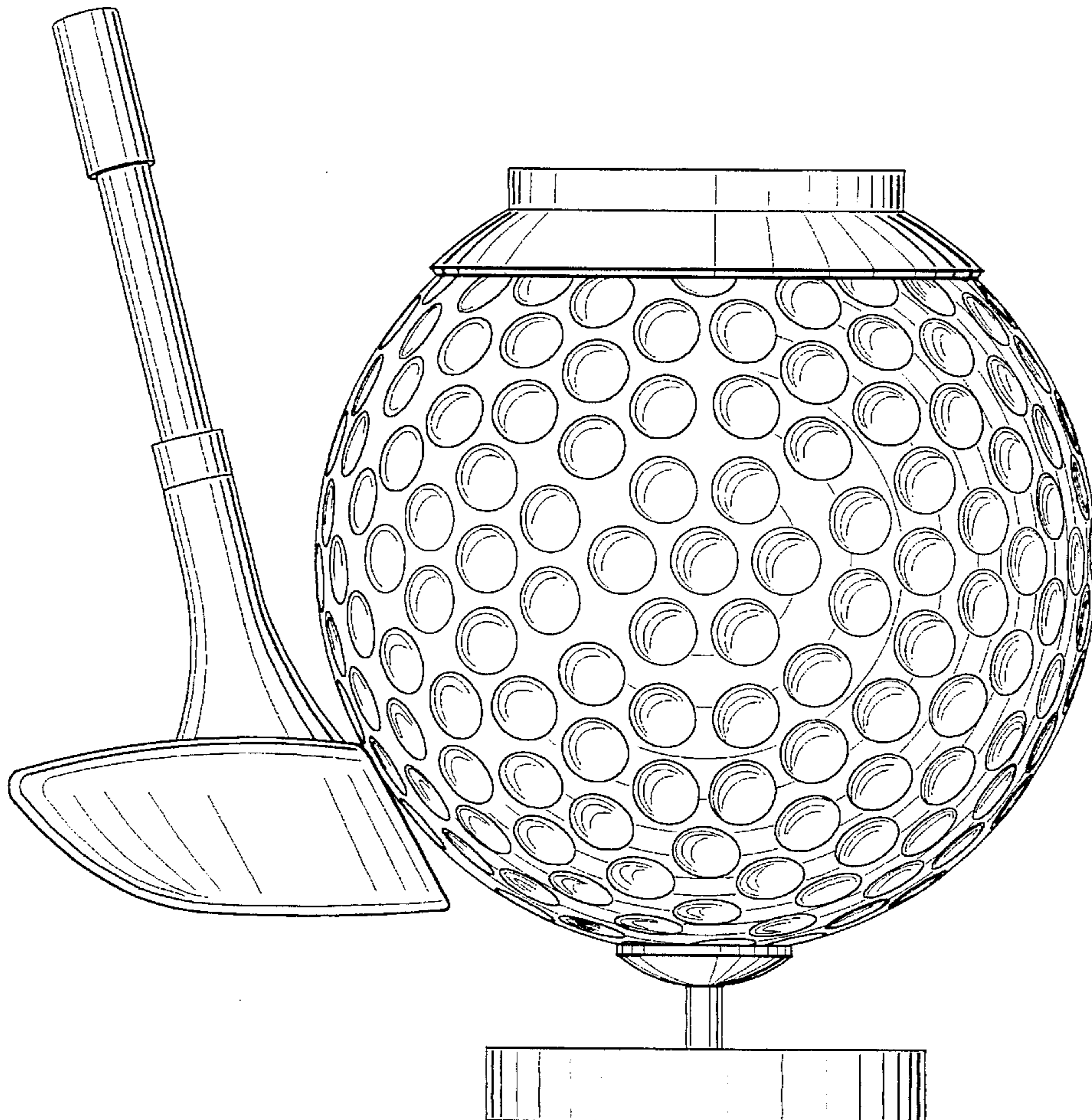
FIG. 1 is a top front perspective view of a cup showing my new design;
FIG. 2 is a front elevational view thereof;
FIG. 3 is a rear elevational view thereof;
FIG. 4 is a left side elevational view thereof;
FIG. 5 is a right side elevational view thereof;
FIG. 6 is a top plan view thereof;
FIG. 7 is a bottom plan view thereof; and,
FIG. 8 is a cross-sectional view thereof taken along line 8—8 of FIG. 6.

[56] References Cited

U.S. PATENT DOCUMENTS

D. 187,401	3/1960	Whittle	D9/307
D. 196,375	9/1963	Fradette	D7/515 X
D. 212,818	11/1968	Flaherty	D7/515 X
D. 267,854	2/1983	Witl, Jr.	D9/307
D. 283,009	3/1986	Jeanette	D9/307
D. 297,389	8/1988	Demaree	D7/515 X
D. 301,003	9/1989	Burns	D7/515
D. 313,534	1/1991	Stadtmueller	D7/515
D. 354,417	9/1995	Rigsby	D7/515
D. 360,108	7/1995	Blankenburg et al.	D7/623 X

1 Claim, 8 Drawing Sheets



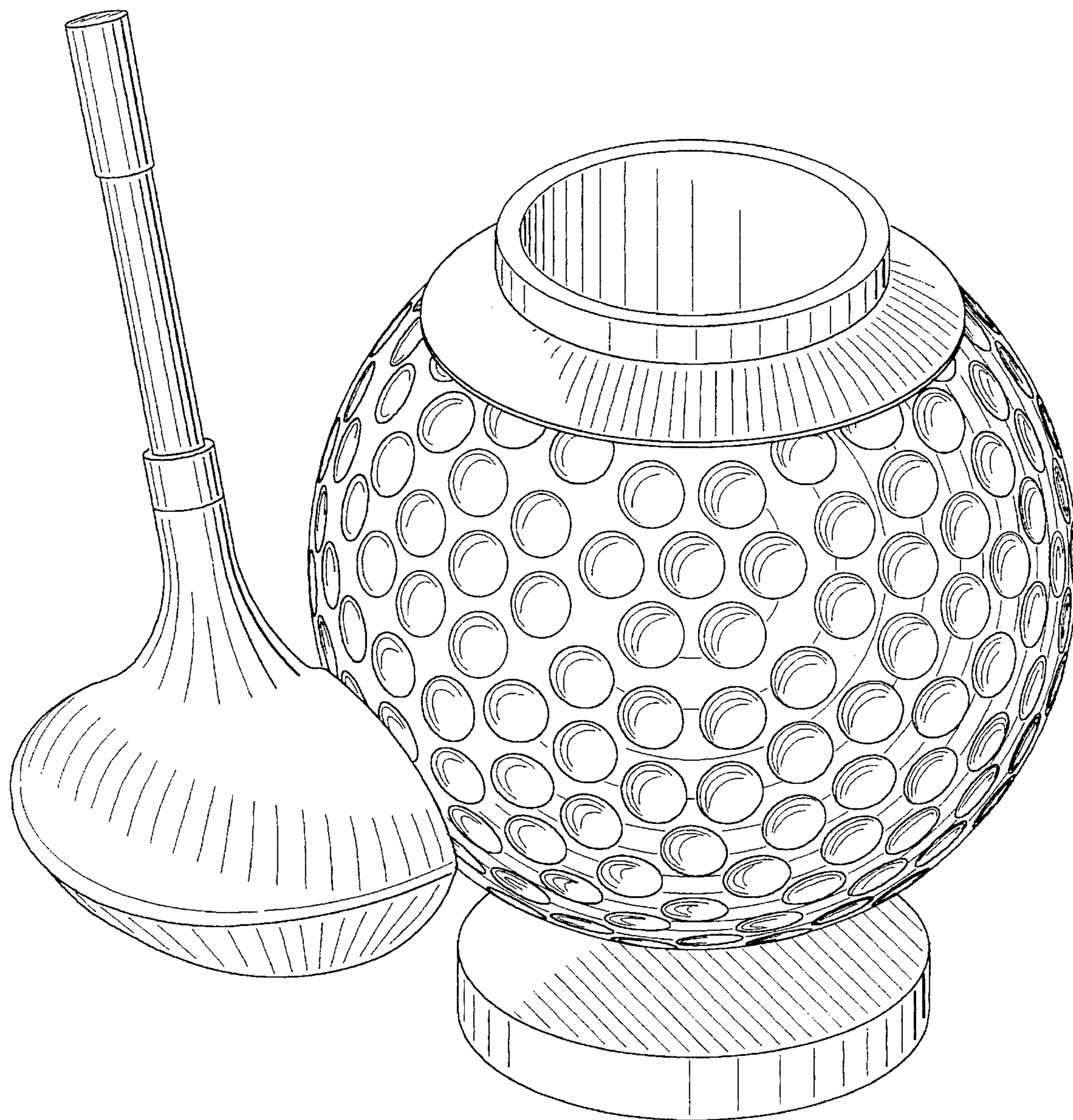


FIG. 1

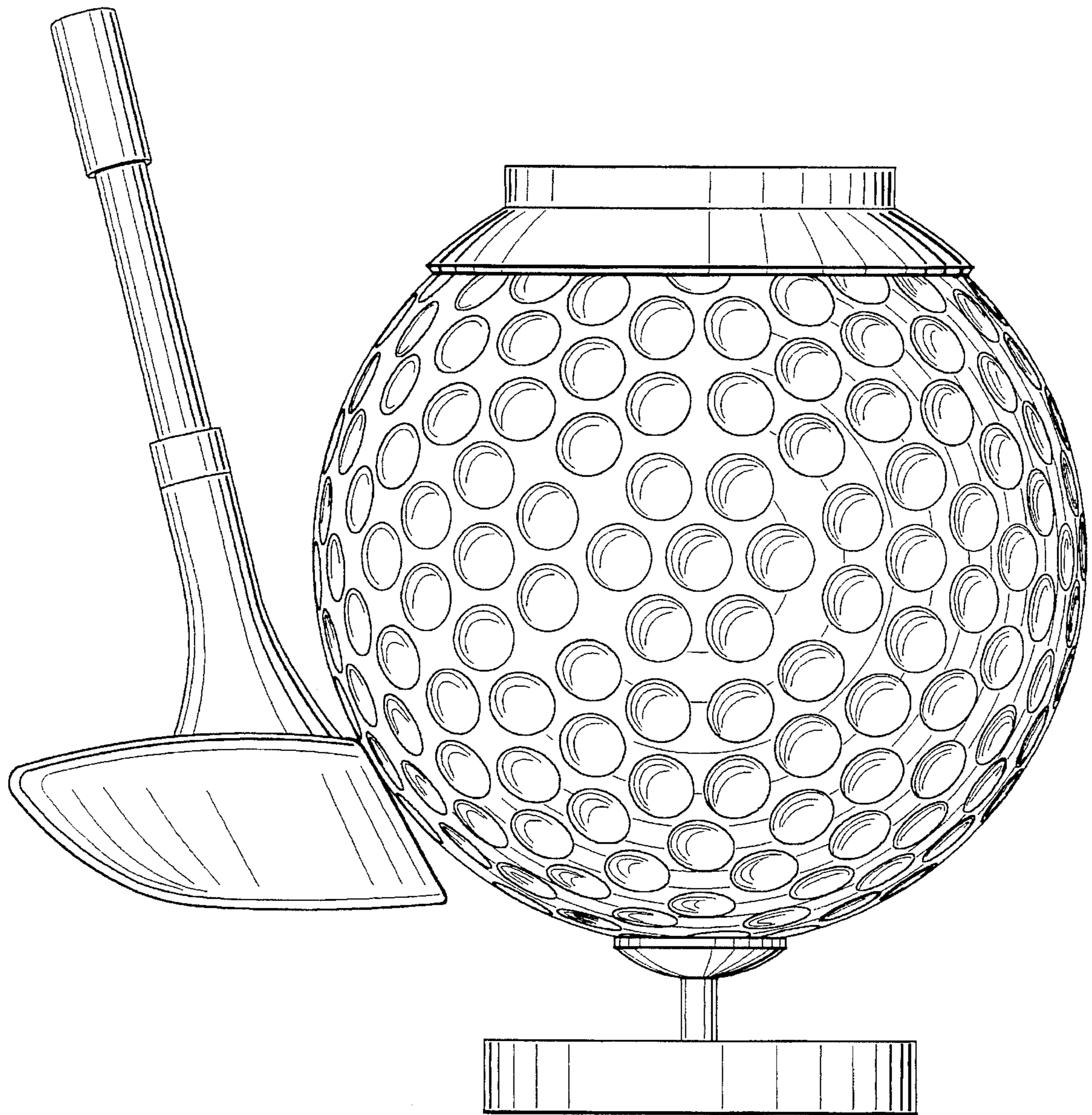


FIG. 2

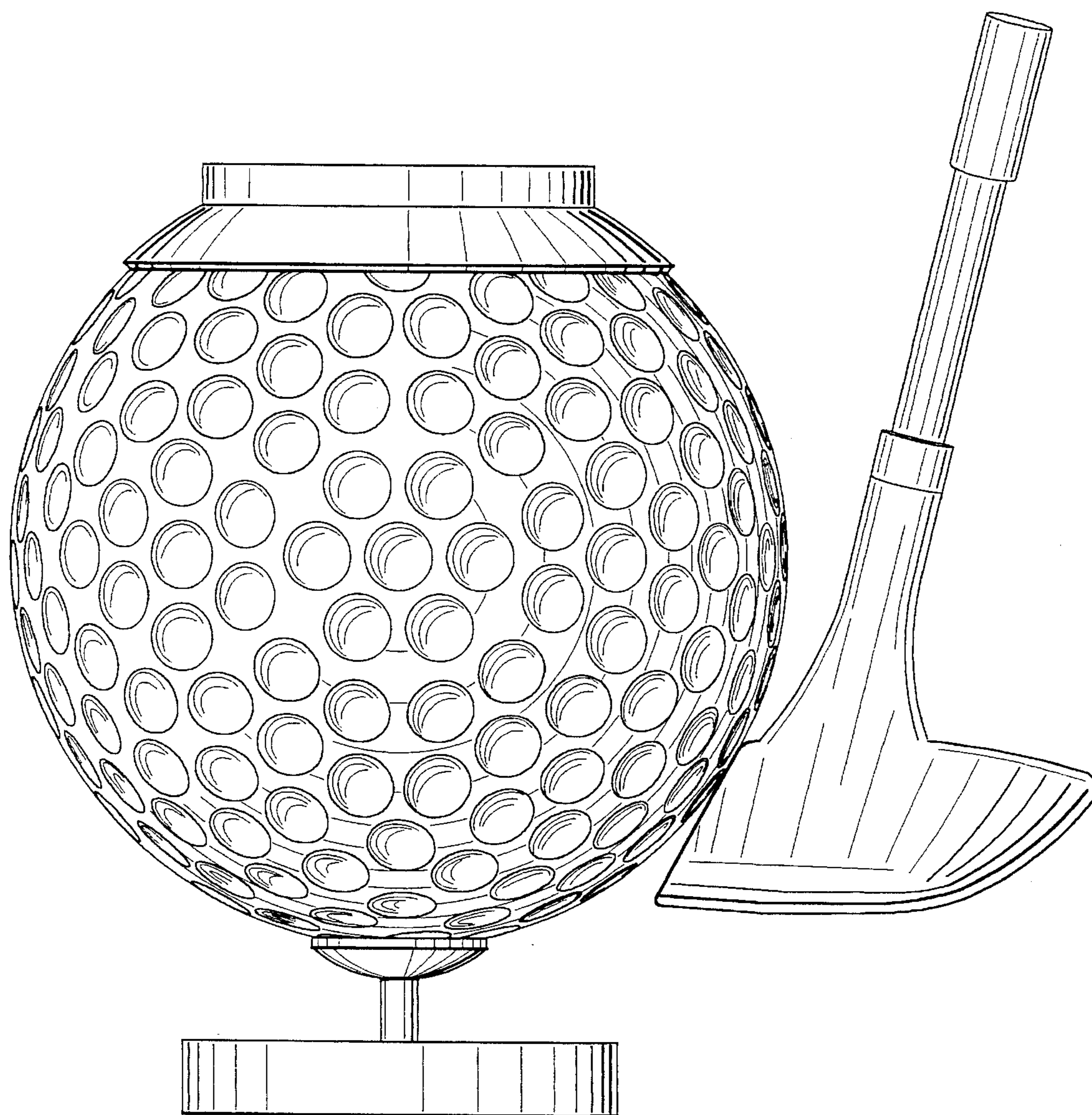


FIG. 3

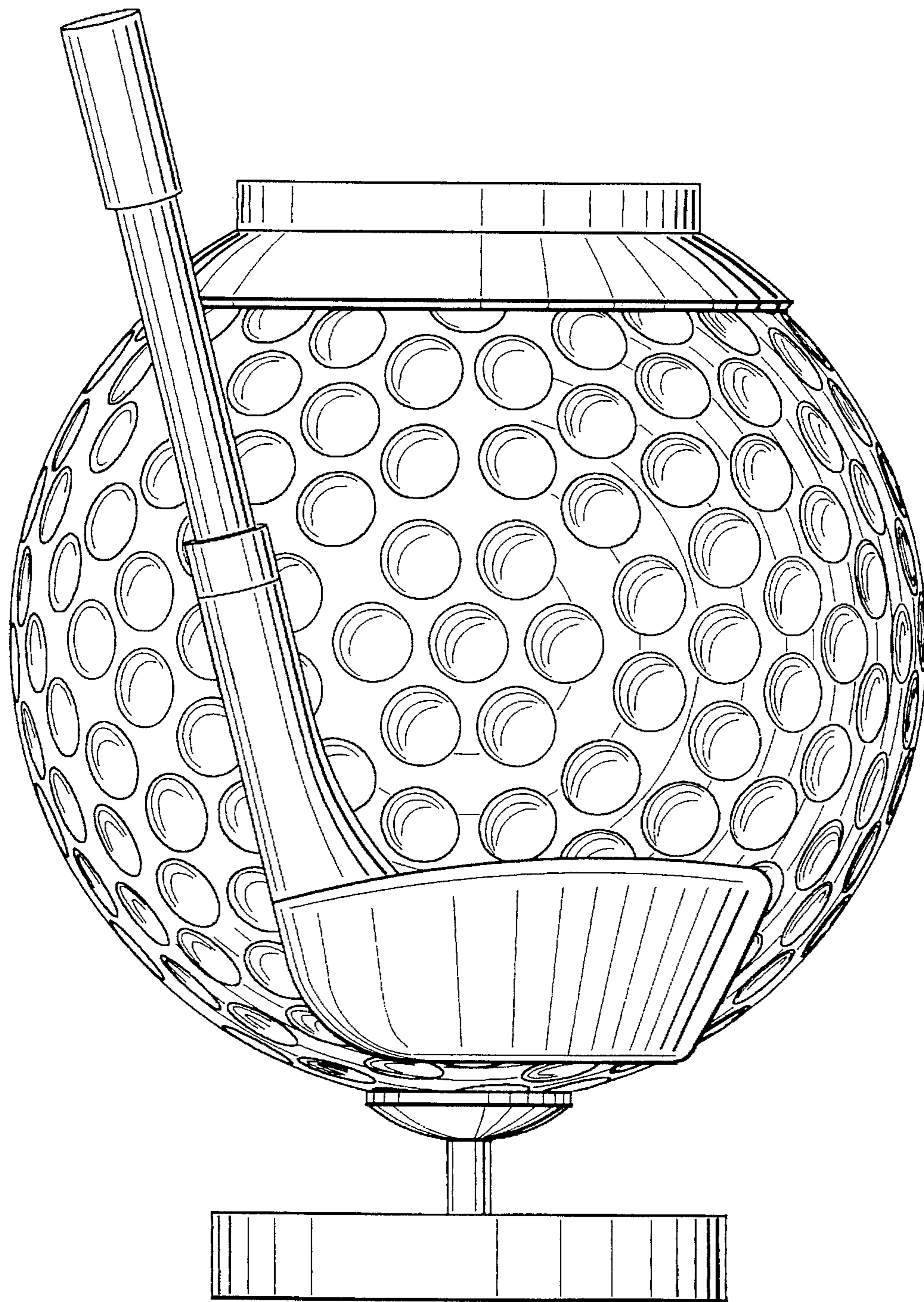


FIG. 4

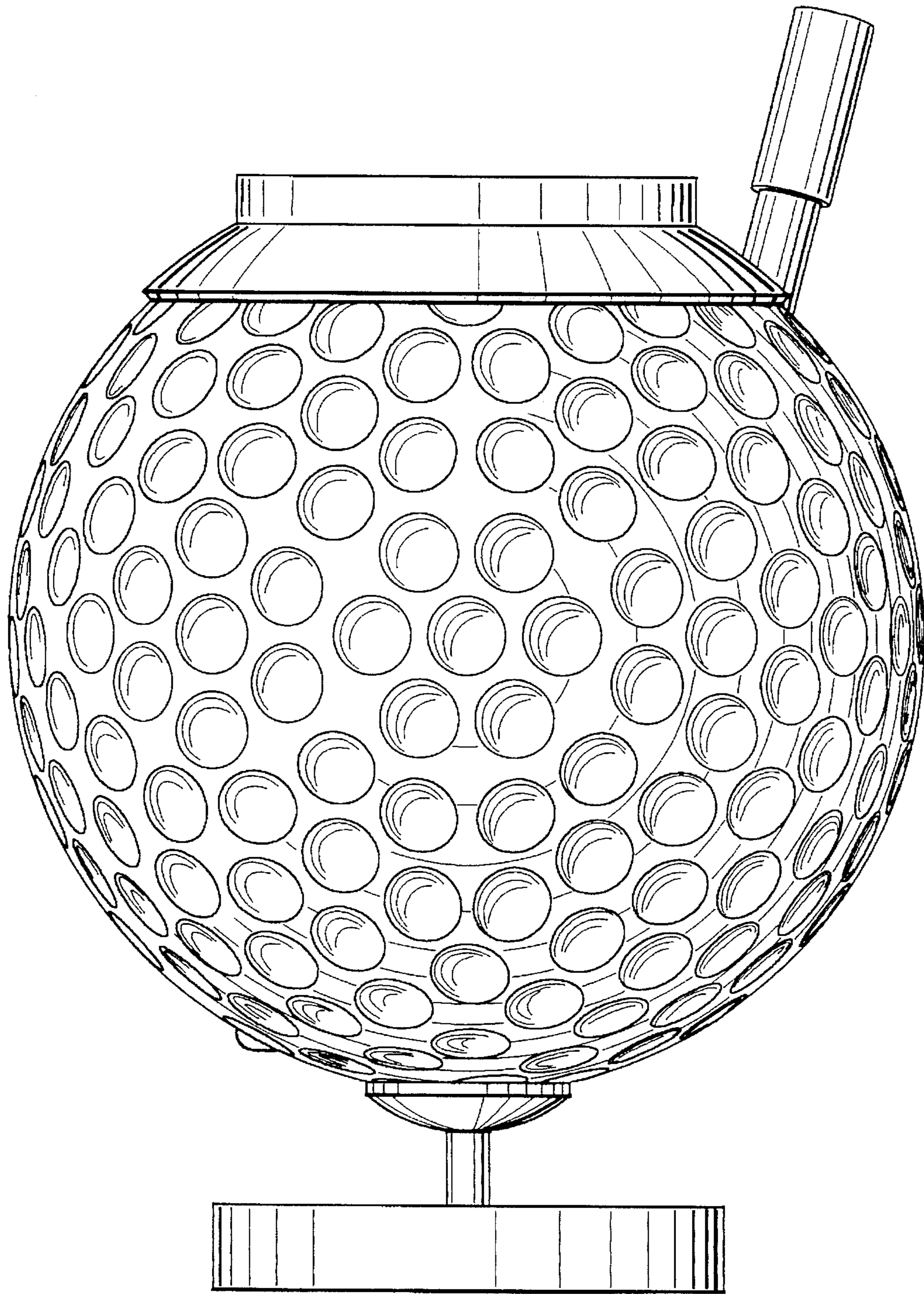


FIG. 5

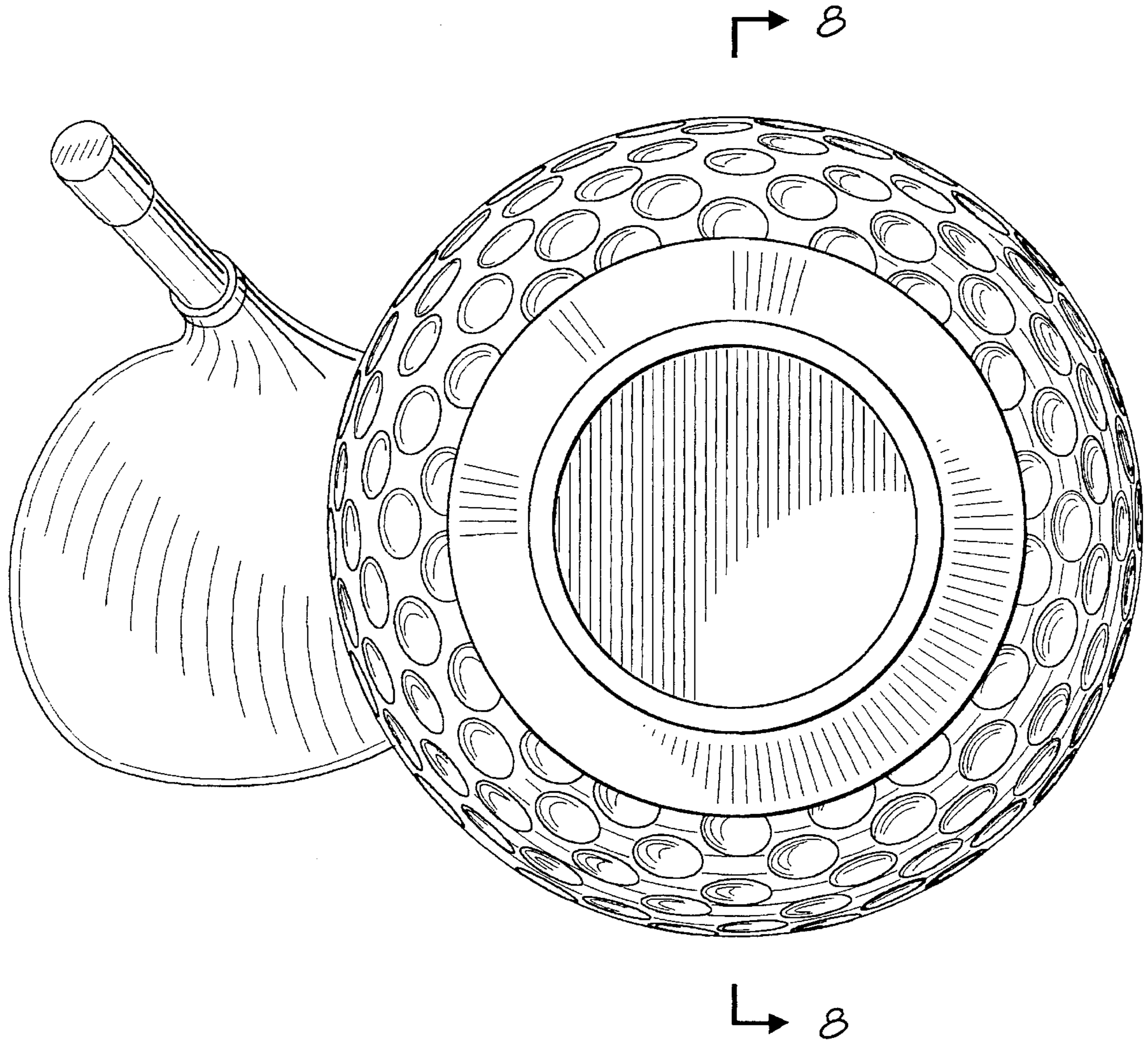


FIG. 6

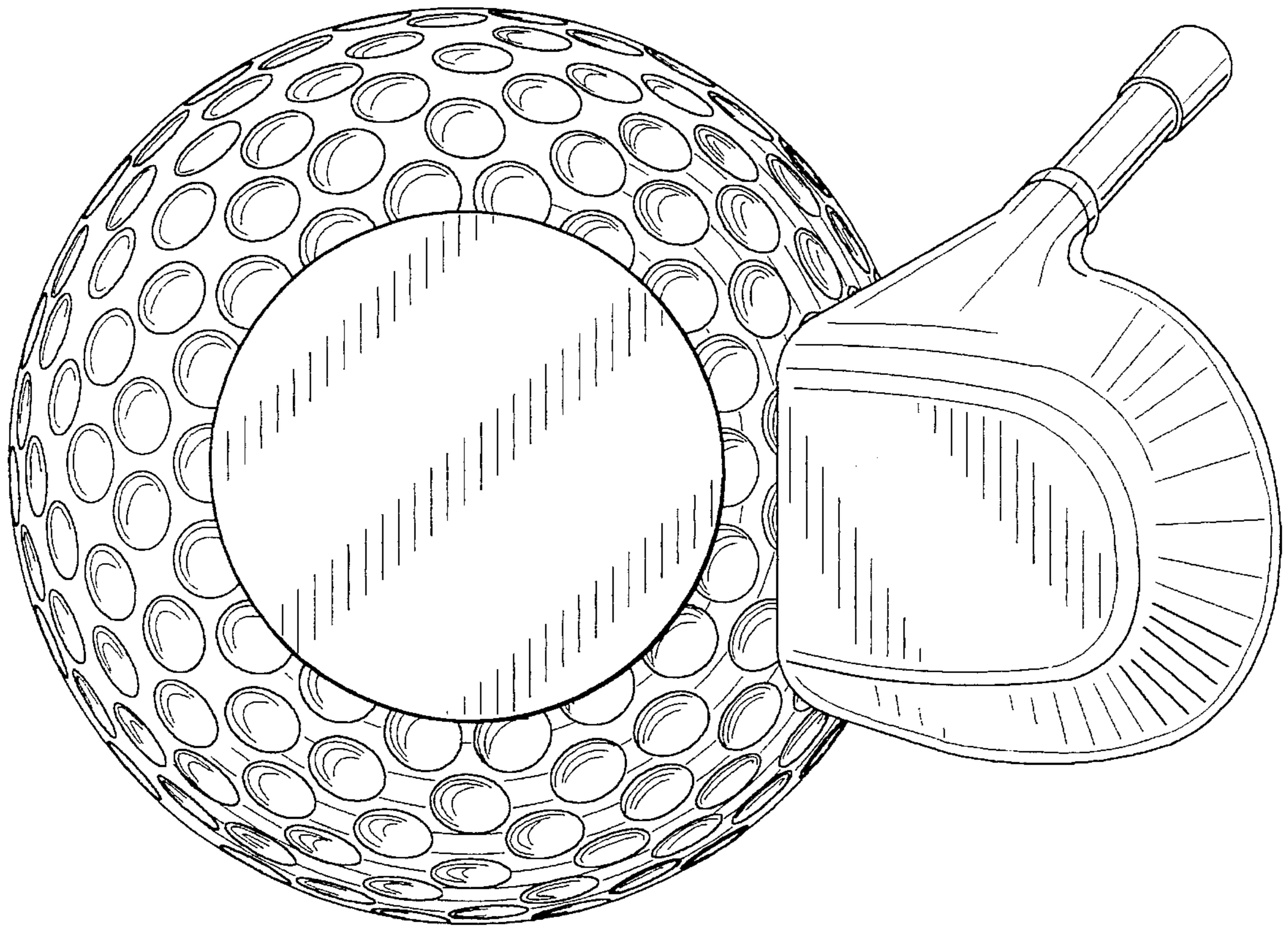


FIG. 7

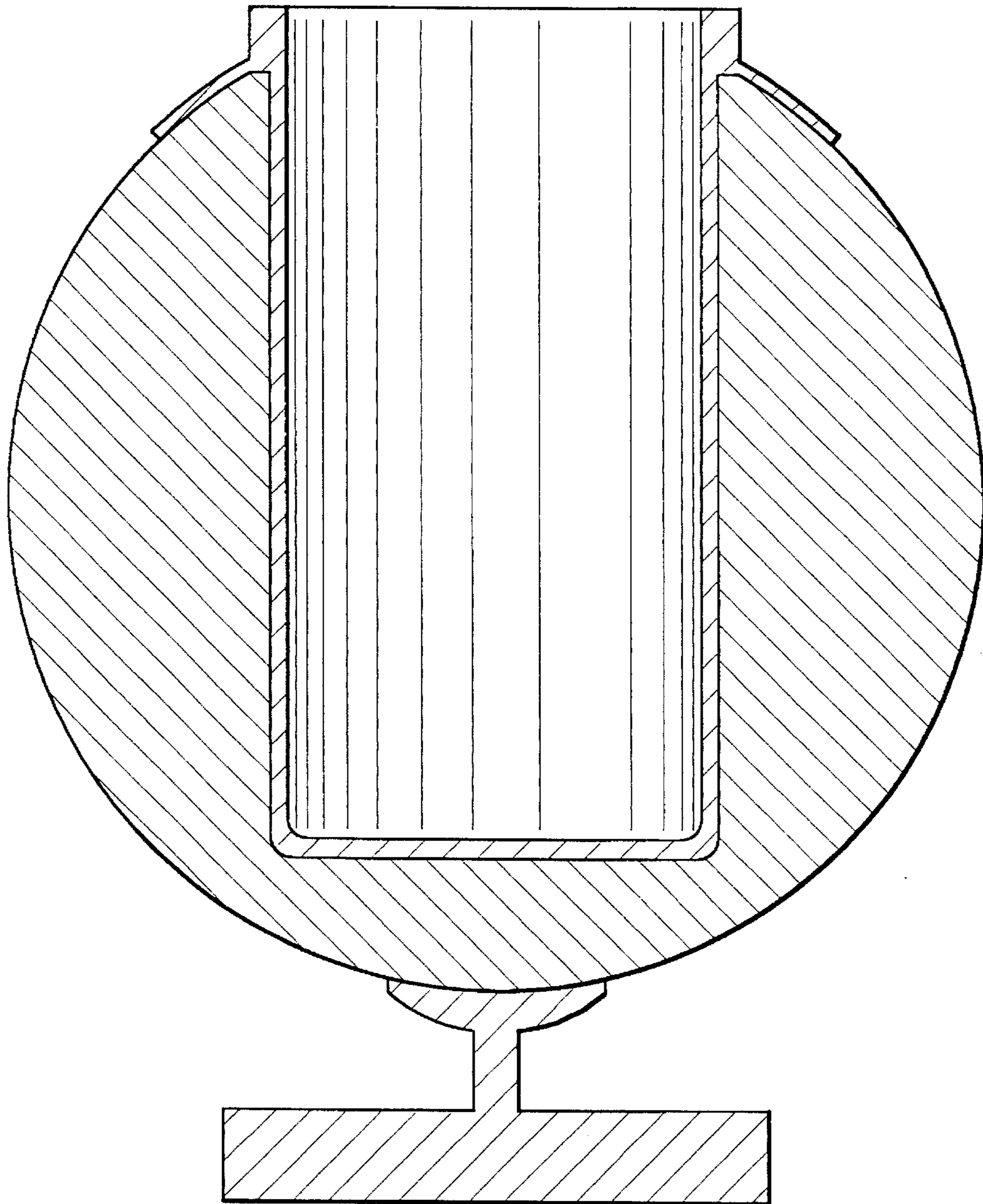


FIG. 8