



US00D370828S

United States Patent [19] Green

[11] Patent Number: **Des. 370,828**

[45] Date of Patent: ***** Jun. 18, 1996**

[54] **DRINKING CONTAINER**

[76] Inventor: **Richard D. Green**, 4086 Del Rey Ave.,
Marina Del Rey, Calif. 90292

[*] Notice: The portion of the term of this patent
subsequent to Feb. 2, 2010, has been
disclaimed.

[**] Term: **14 Years**

[21] Appl. No.: **30,057**

[22] Filed: **Oct. 21, 1994**

[52] U.S. Cl. **D7/510; D7/511**

[58] Field of Search **D7/619, 622, 507,
D7/509, 510, 511, 513, 512, 514, 515,
516, 523, 524, 531, 532, 533, 534, 535,
536; 215/396, 398, 389, 388, 387; 220/713,
711; D9/500, 503, 504, 537-540**

[56] **References Cited**

U.S. PATENT DOCUMENTS

D. 195,376	6/1963	Curtis	D7/511
D. 332,373	1/1993	Kahl	D7/510
D. 340,836	11/1993	Cauterell	D7/511
D. 356,231	3/1995	Peyton, Jr.	D7/510
D. 359,654	6/1995	Westgerdes	D7/510 X
D. 360,338	7/1995	Westgerdes	D7/510 X
2,529,817	11/1950	Russell .	
2,844,267	7/1958	Petriccione .	
3,294,293	12/1966	Johns .	
3,337,098	8/1967	Johns .	

3,371,827	3/1968	Micallef .	
4,448,316	5/1984	Hiroshige .	
4,509,655	4/1985	Killmann .	
4,852,762	8/1989	Chou-Sheng .	
4,925,043	5/1990	Dinand .	
4,982,854	1/1991	Ichimiya .	
5,054,631	10/1991	Robbins, III .	
5,085,330	2/1992	Paulin	215/387 X
5,188,283	2/1993	Gu .	
5,203,468	4/1993	Hsu .	
5,273,172	12/1993	Rossbach et al. .	
5,326,006	7/1994	Giard, Jr.	215/387 X
5,361,934	11/1994	Spence, Jr.	215/388 X

Primary Examiner—M. N. Pandozzi
Attorney, Agent, or Firm—Kelly, Bauersfeld & Lowry

[57] **CLAIM**

The ornamental design for a drinking container, as shown
and described.

DESCRIPTION

FIG. 1 is a perspective view showing the front, right and top
views of a drinking container embodying my new design;
FIG. 2 is a left side elevational view thereof, the right side
elevation being a mirror image of the left side as shown;
FIG. 3 is a top plan view thereof;
FIG. 4 is a bottom plan view thereof;
FIG. 5 is a rear elevational view thereof;
FIG. 6 is a front elevational view thereof; and,
FIG. 7 is a perspective view similar to FIG. 1, illustrating a
cap in an open position.

1 Claim, 3 Drawing Sheets

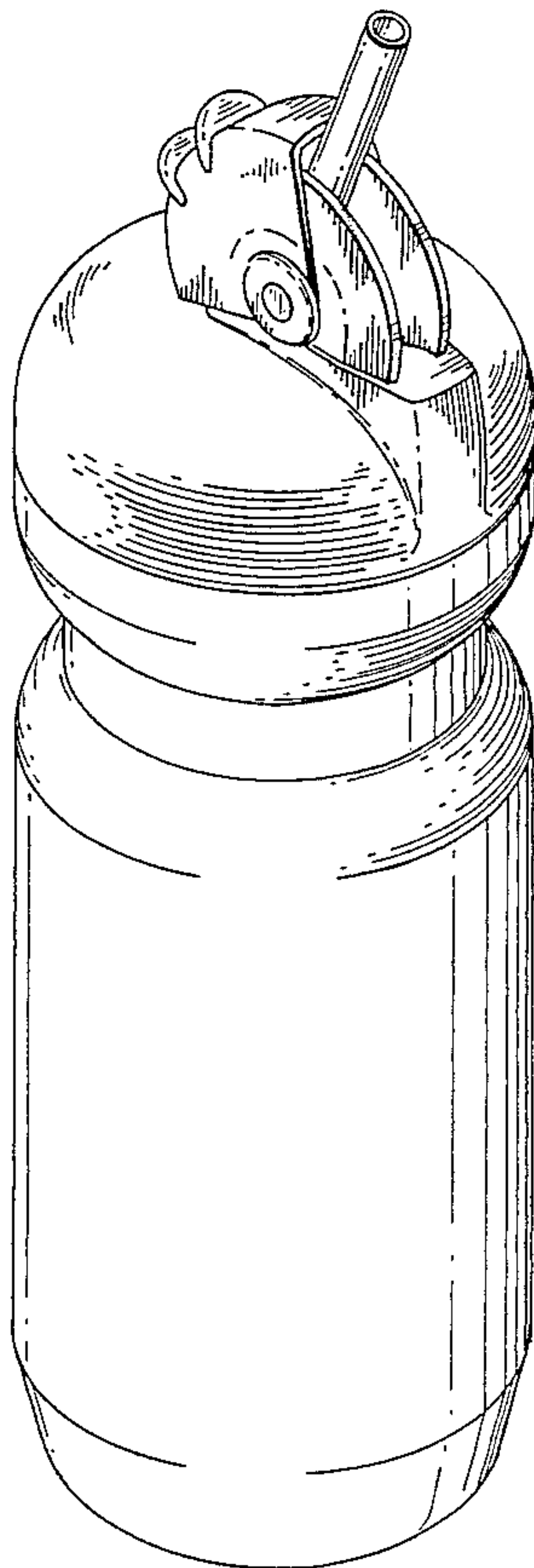


FIG. 1

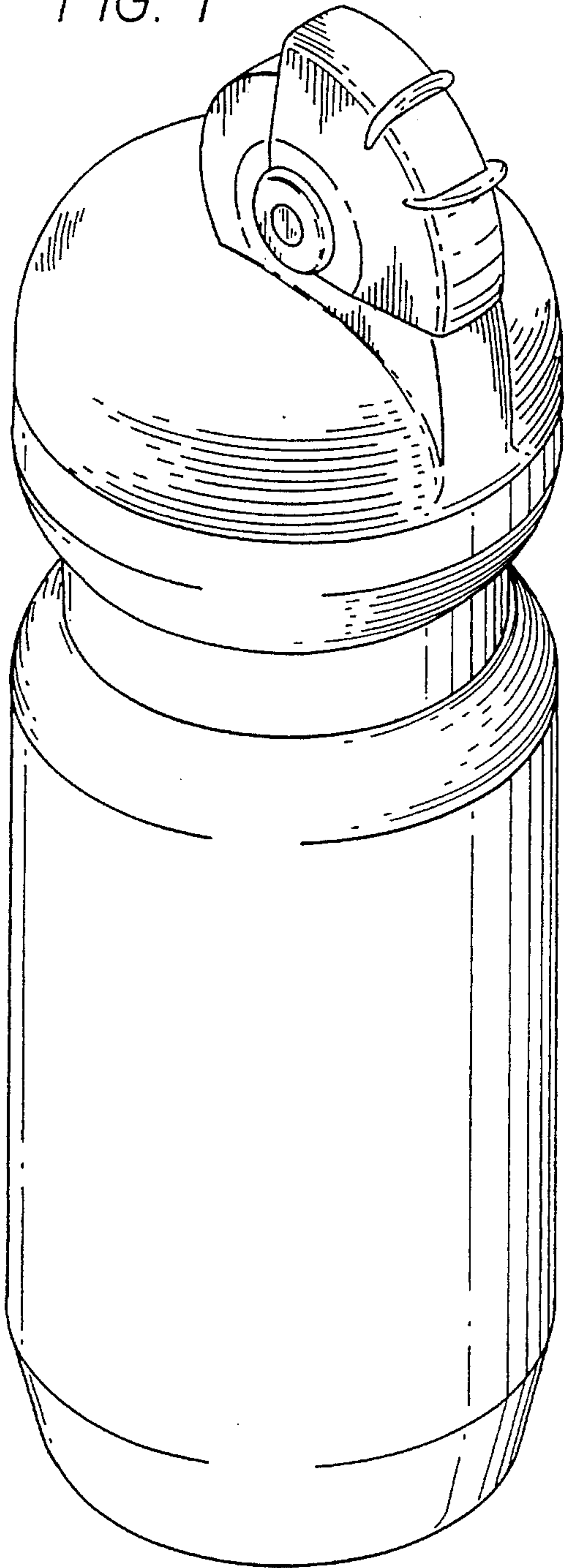


FIG. 7

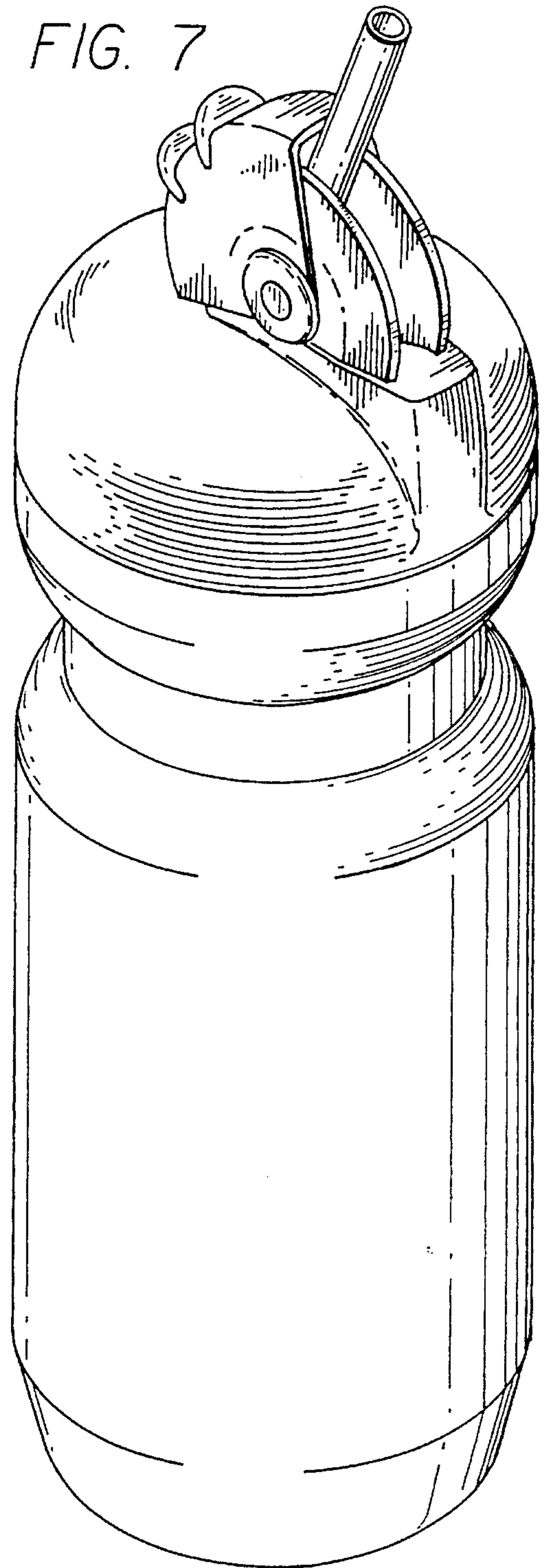


FIG. 2

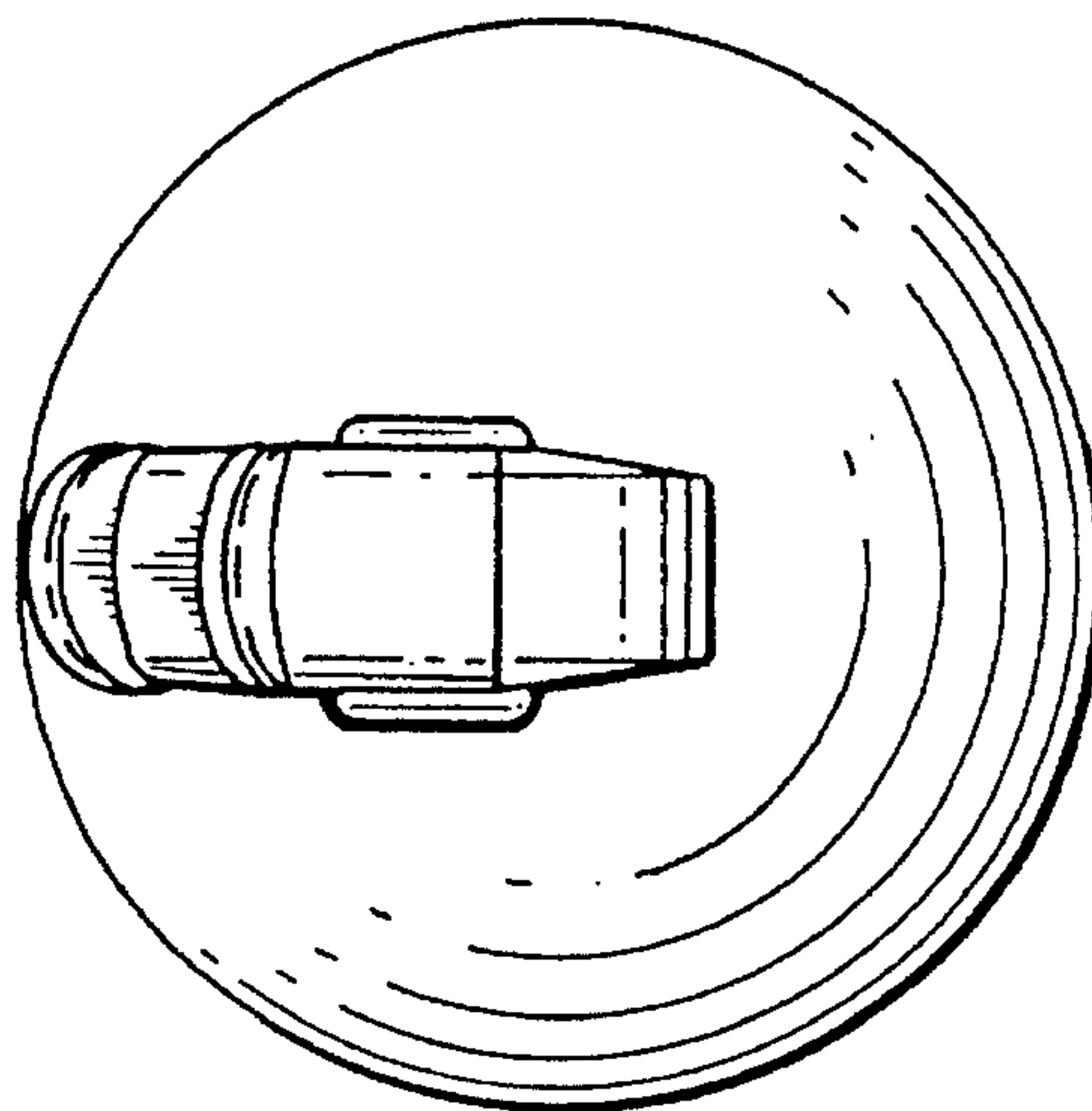
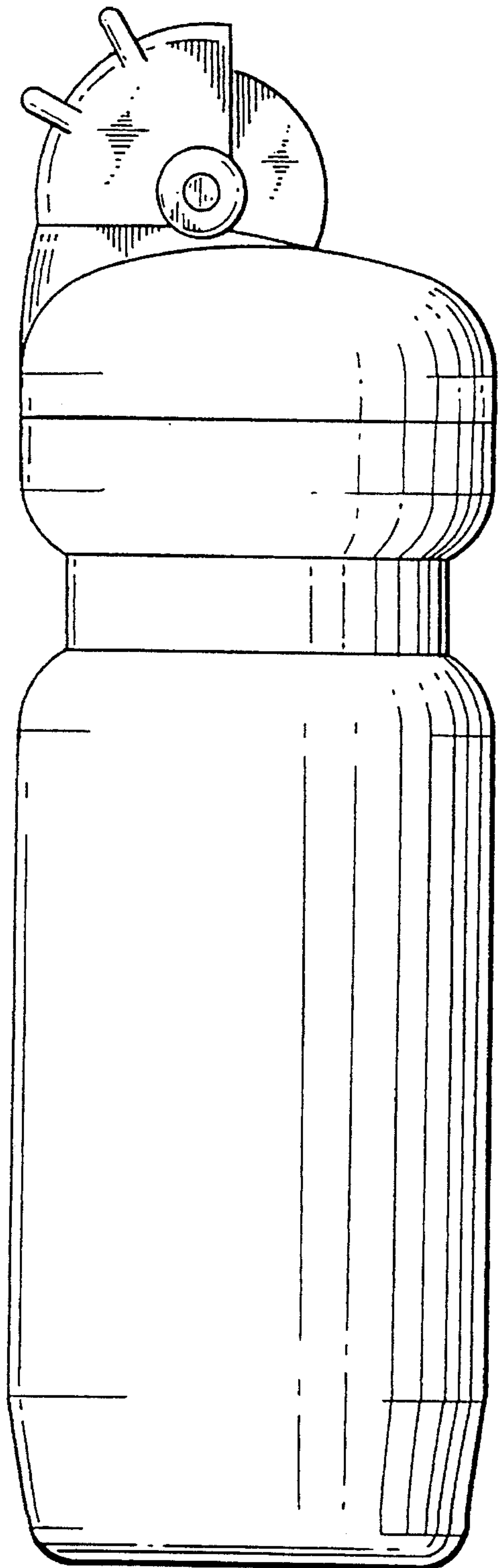


FIG. 3

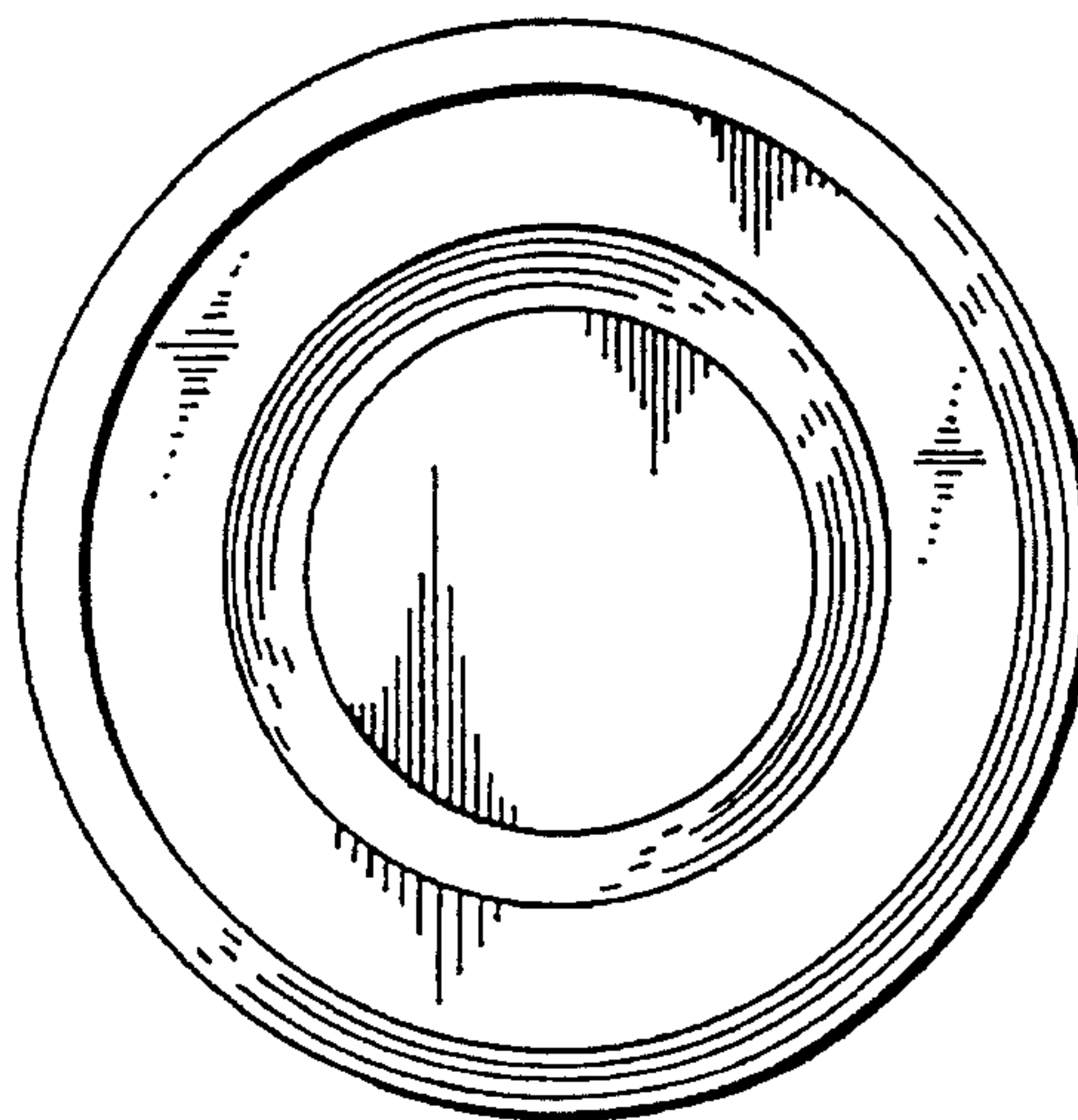


FIG. 4

FIG. 5

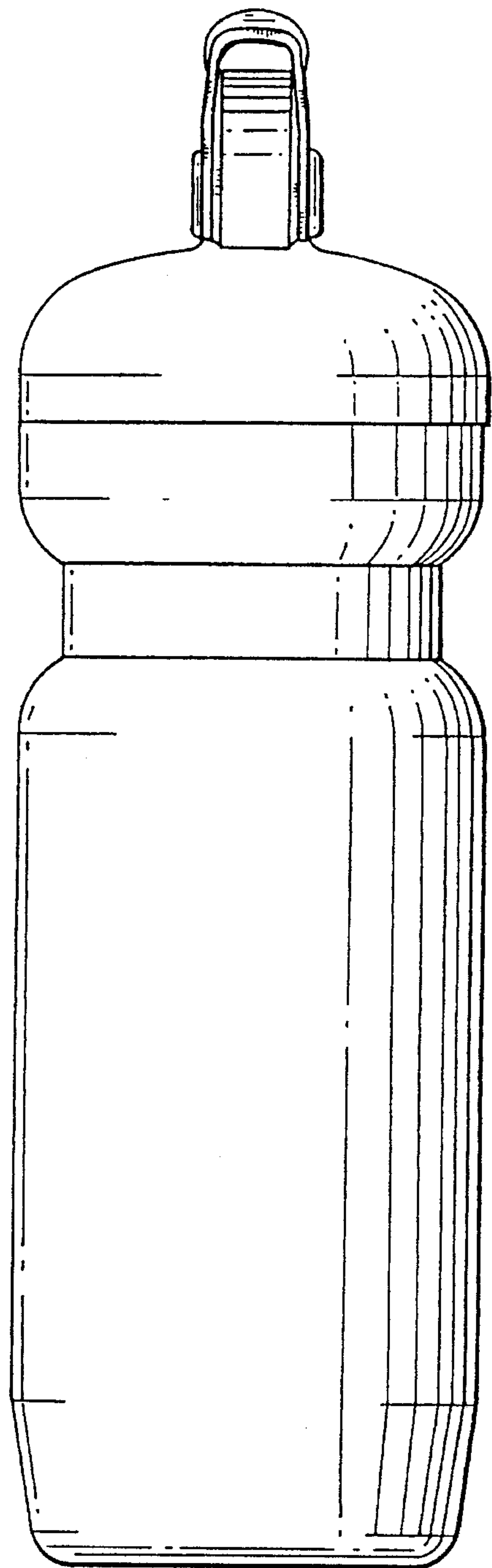


FIG. 6

