



US00D370826S

United States Patent [19]

[11] Patent Number: **Des. 370,826**

Thurlow

[45] Date of Patent: ****Jun. 18, 1996**

[54] **ENAMEL ON STEEL COOKWARE WITH SEE-THROUGH LID**

[76] Inventor: **Heida Thurlow**, 10814 Riverview, Houston, Tex. 77042

[**] Term: **14 Years**

[21] Appl. No.: **3,497**

[22] Filed: **Jan. 8, 1993**

[52] U.S. Cl. **D7/360; D7/361**

[58] Field of Search D7/354-361, 395, D7/393; 16/110 A, 118, 110 R, 121; 220/912; 99/324, 325, 339, 345, 425, 426

[56] **References Cited**

U.S. PATENT DOCUMENTS

D. 146,520	3/1947	Ramsthal	D7/361
D. 193,202	7/1962	Eckersberg	D7/395
D. 284,444	7/1986	Baumgarten	D7/393
D. 318,976	8/1991	Thurlow et al.	D7/360 X
D. 338,370	8/1993	Takeda	D7/360 X
4,451,156	5/1984	Kloppsteck	368/10
4,680,829	7/1987	Baumgarten	16/110 AX

OTHER PUBLICATIONS

Retailing Home Furnishings, Jan. 1, 1979; Section One. Regal Cast Aluminum Cookware, bottom left.
 House Beautiful; Jan. 1984; Megefesa's Bell bottom Pots bottom left.
 Bell Catalog; 1987/88; p. 258; #1 Meyer Cookware top of page.
 Chantal Brochure 1993.

Chantal Design Brochure, exact date unknown. Cookware available over one year before filing date see paper #4.

Primary Examiner—Alan P. Douglas
Assistant Examiner—Caron D. Veynar
Attorney, Agent, or Firm—Pravel, Hewitt, Kimball & Krieger

[57] **CLAIM**

The ornamental design for an enamel on steel cookware with see-through lid, as shown and described.

DESCRIPTION

FIG. 1 is a front-left perspective view of an enamel on steel cookware with see-through lid showing my new design, the bottom being flat and unornamented;
 FIG. 2 is a top view of FIG. 1;
 FIG. 3 is a front view of FIG. 1, the rear view being a mirror image thereof;
 FIG. 4 is a left end view of FIG. 1;
 FIG. 5 is a right end view of FIG. 1;
 FIG. 6 is a front view of a second embodiment of my enamel on steel cookware with see-through lid, the rear view being a mirror image thereof and the remaining views being the same as the views of FIGS. 1-5 except for the difference in pot size and the lack of a closed handle; and,
 FIG. 7 is a front view of a third embodiment of my enamel on steel cookware with see-through lid, the rear view being a mirror image thereof and the remaining views being the same as the views of FIGS. 1-5, except for the lack of a closed handle.

1 Claim, 3 Drawing Sheets

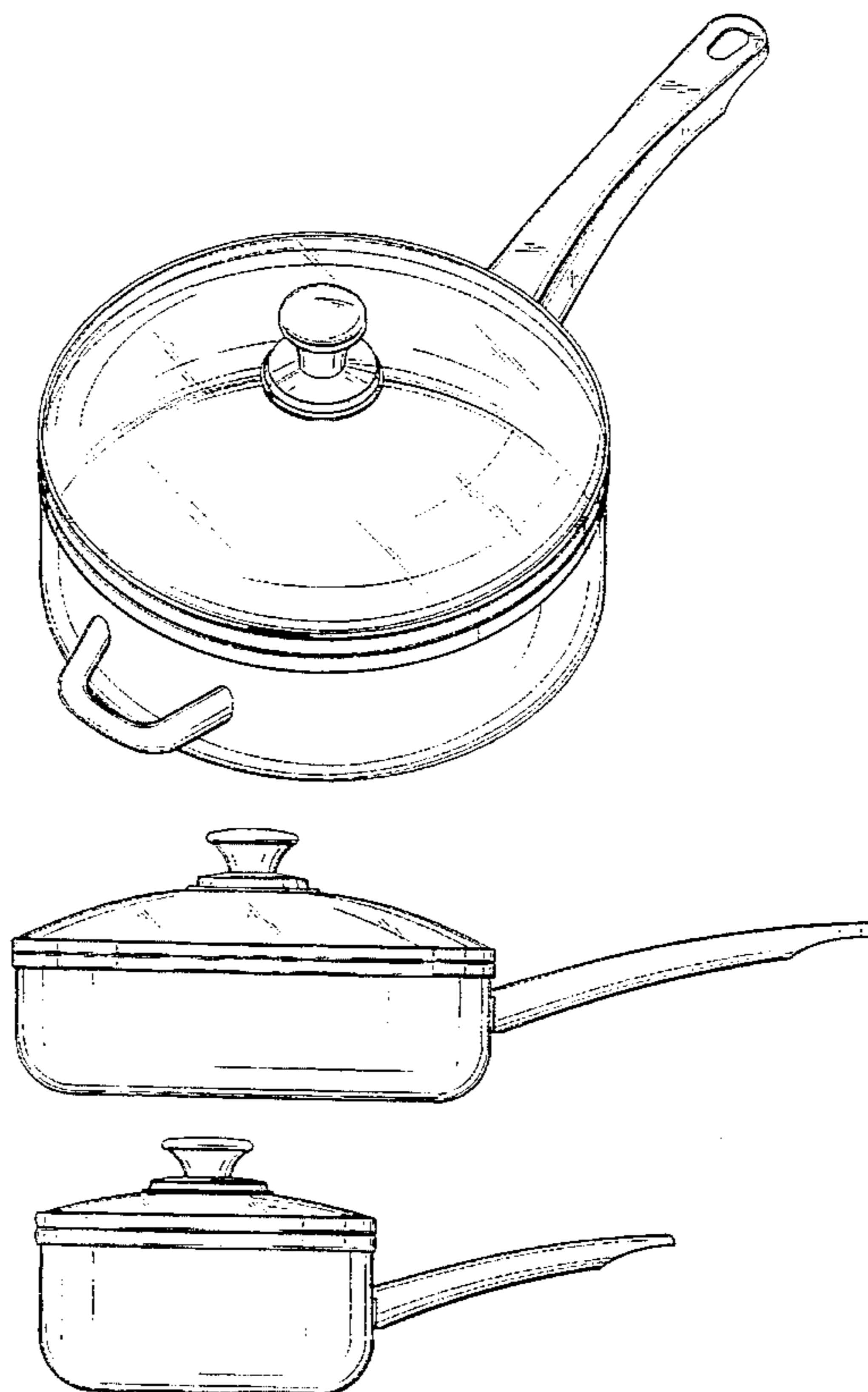


FIG. 1

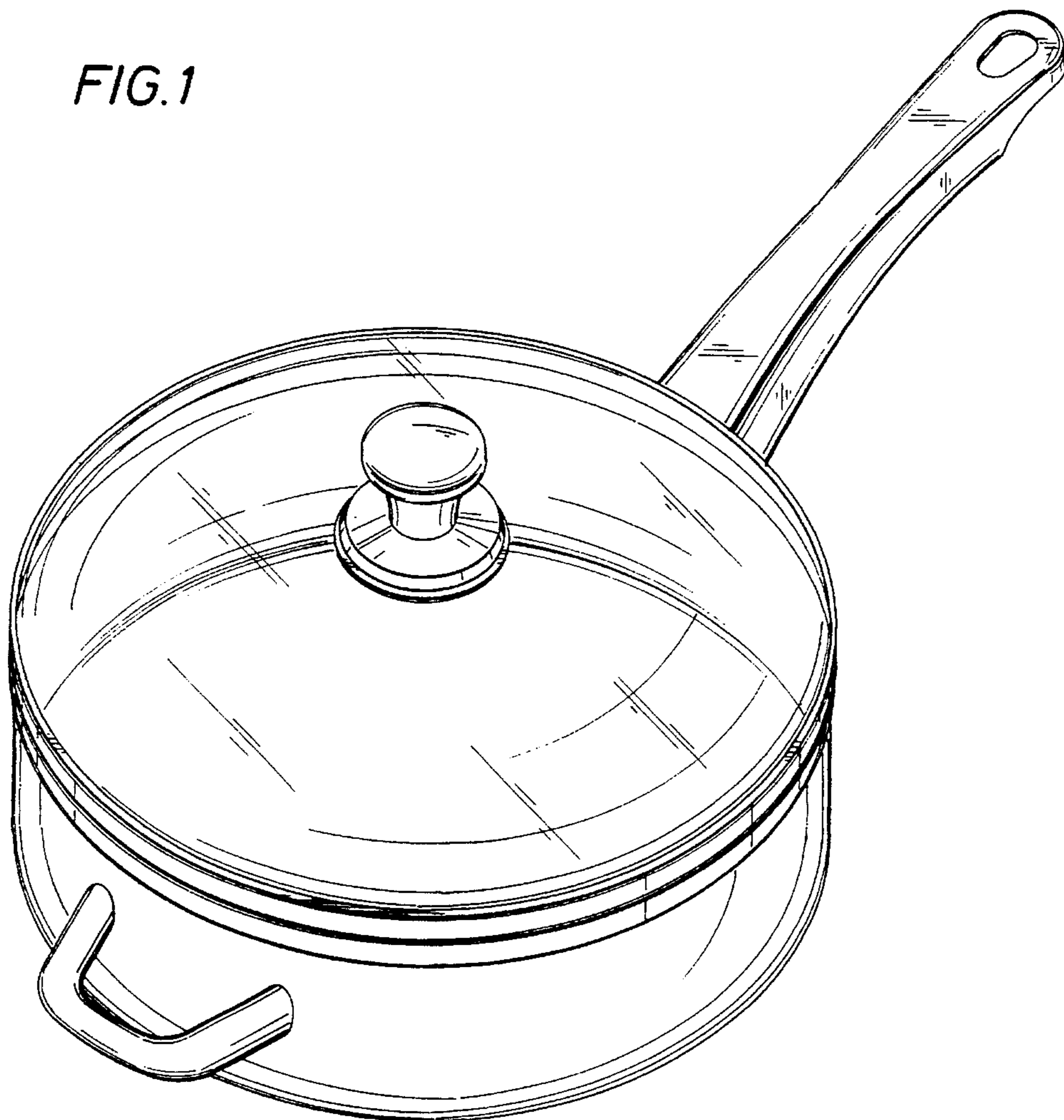


FIG. 7

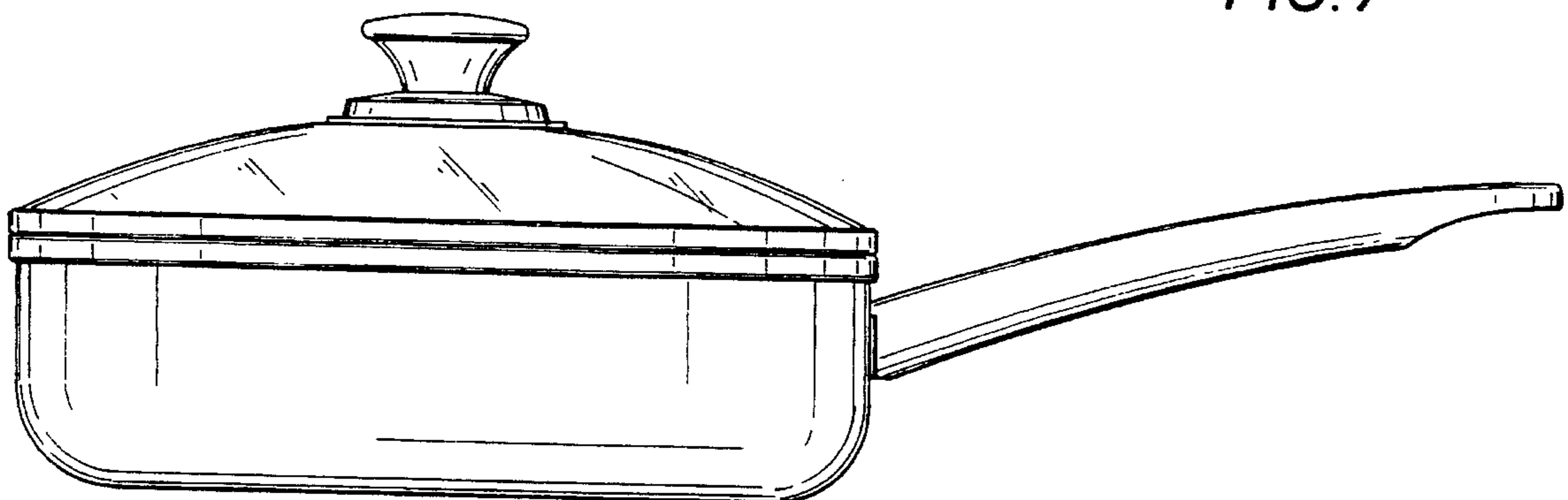


FIG. 2

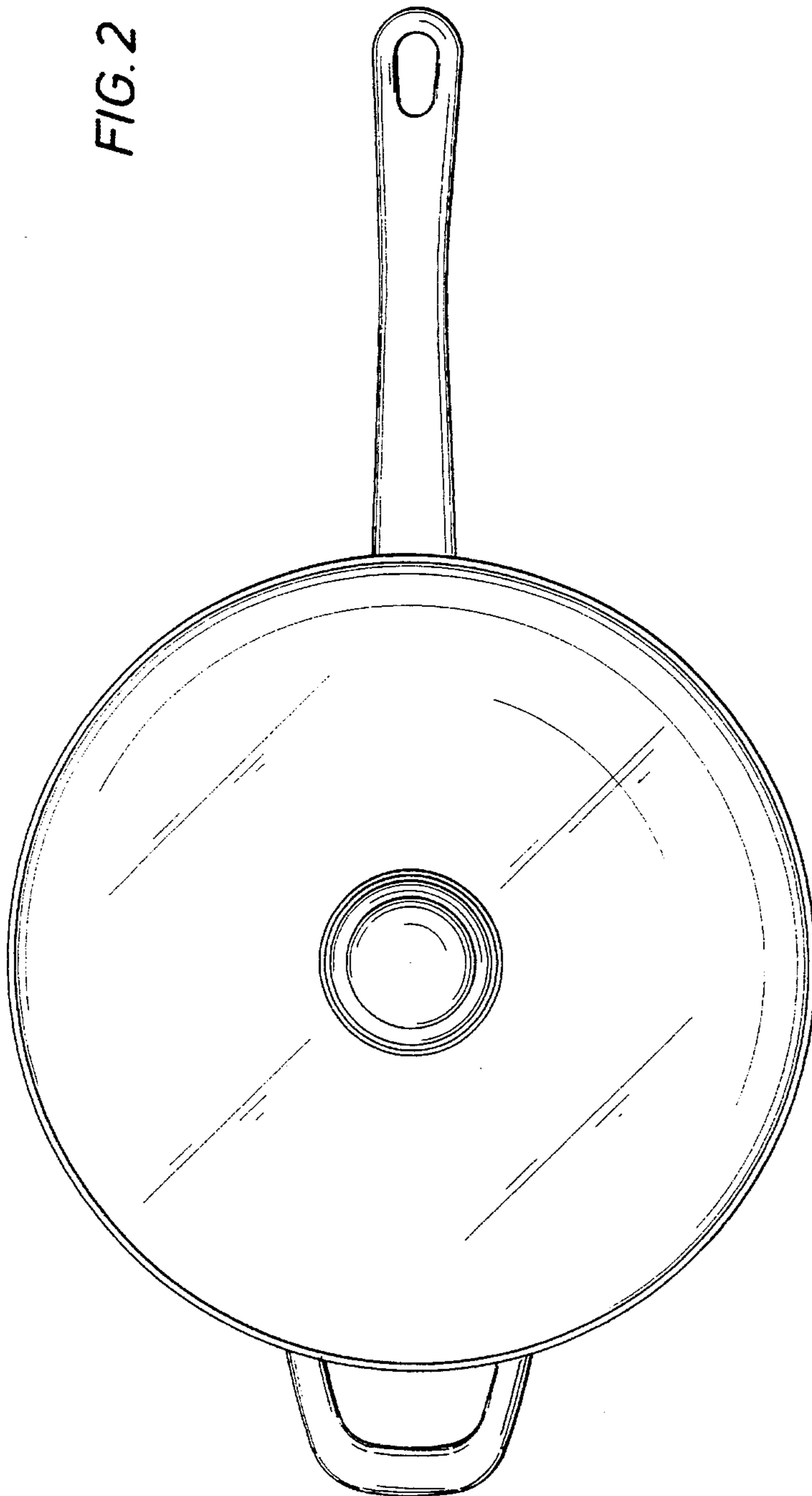


FIG. 3

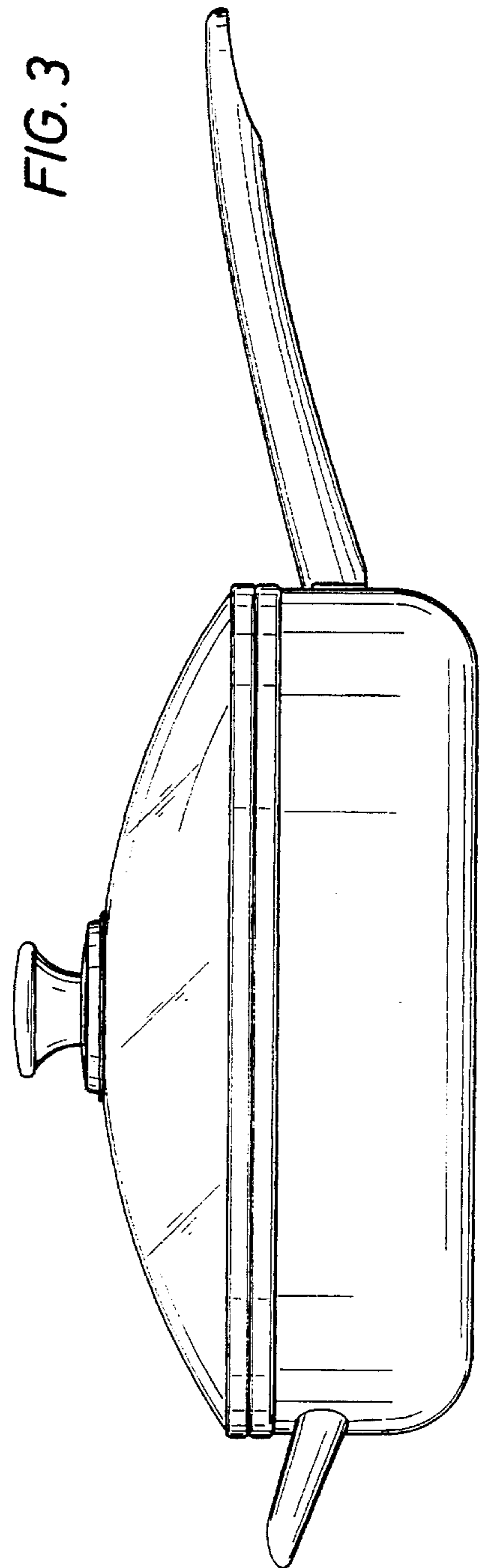


FIG. 4

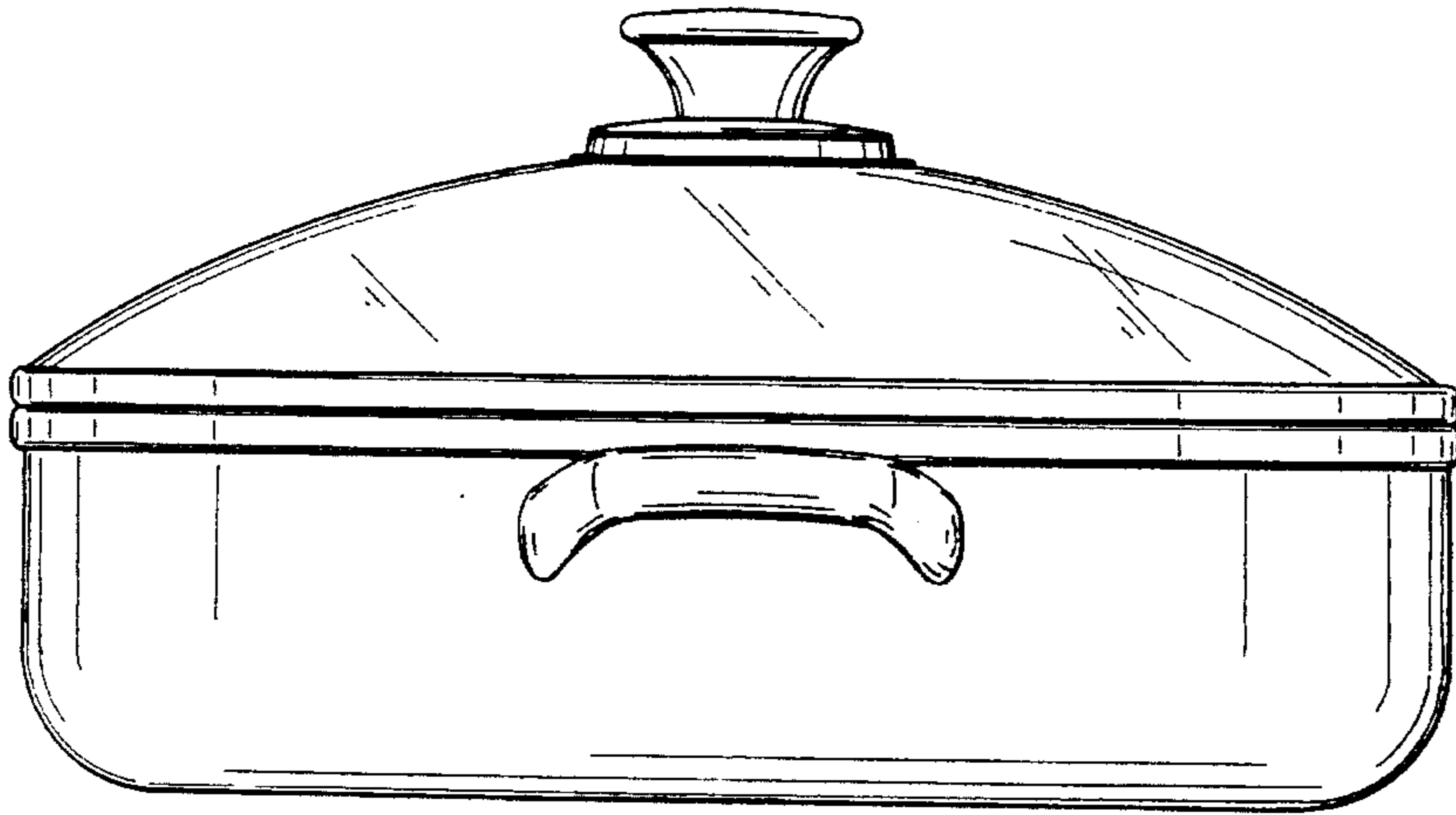


FIG. 5

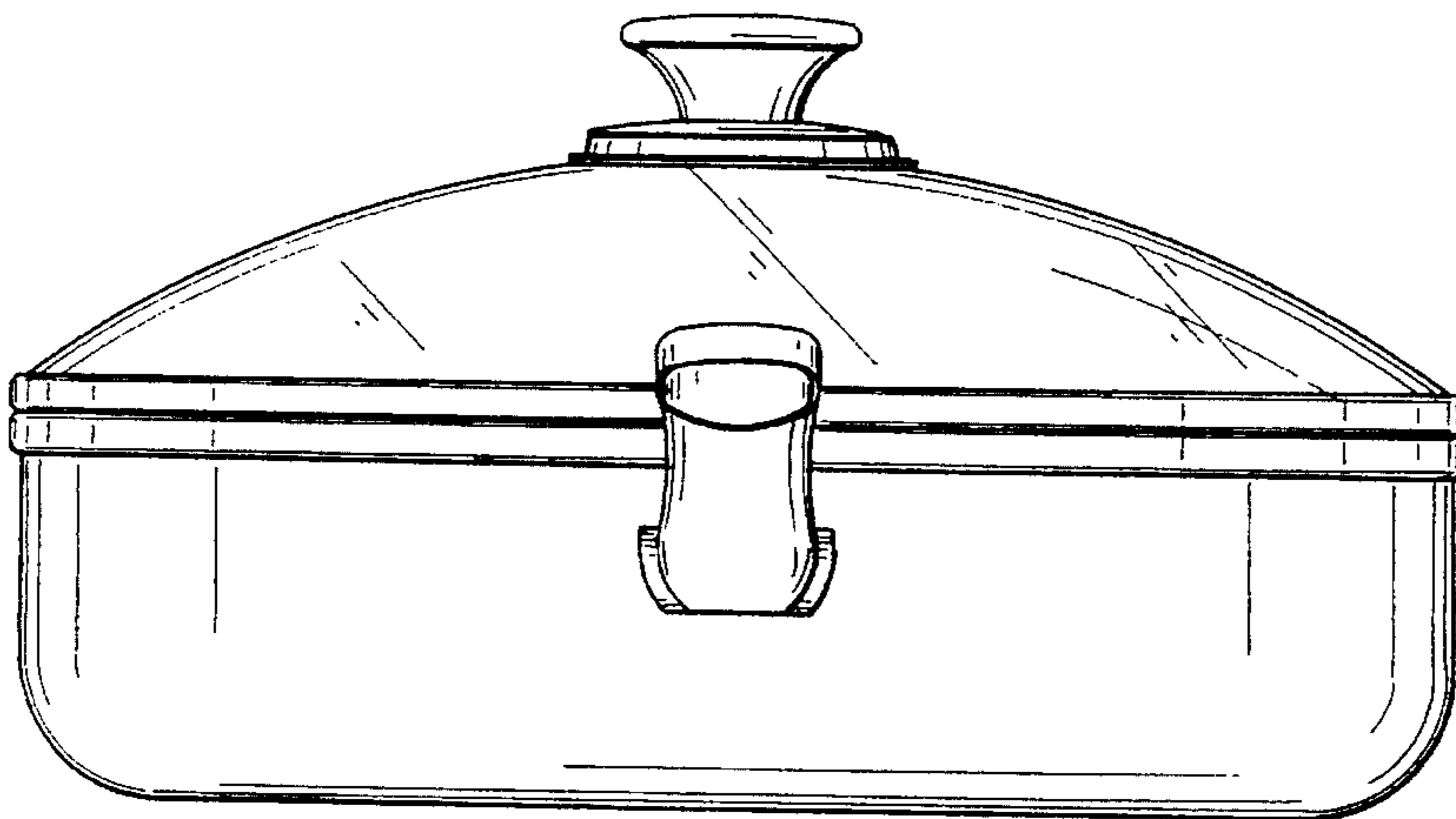


FIG. 6

