



US00D370825S

**United States Patent** [19]  
**Parduhn**

[11] **Patent Number: Des. 370,825**  
[45] **Date of Patent: \*\*Jun. 18, 1996**

[54] **BACON CRISPER**

[76] Inventor: **A. Philip Parduhn**, 14501 Wilson Rd.,  
Edmond, Okla. 73013

[\*\*] Term: **14 Years**

[21] Appl. No.: **24,794**

[22] Filed: **Jun. 21, 1994**

[52] **U.S. Cl.** ..... **D7/359**

[58] **Field of Search** ..... D7/359, 361, 403;  
99/419, 422, 425, 426, 444, 446

[56] **References Cited**

**U.S. PATENT DOCUMENTS**

D. 110,806	8/1938	Fishel .....	D7/359
D. 159,786	8/1950	Daubenberger .....	D7/359
D. 228,334	9/1973	Kotila .....	D7/359 X
2,057,962	10/1936	Mailhoit .....	D7/359 X
2,080,171	5/1937	Fairbanks et al. ....	99/425 X
3,466,998	9/1969	Musgrove .....	99/349
3,713,379	1/1973	Gordy .....	99/446 X
3,747,506	7/1973	Belgard .....	99/425 X
4,064,797	12/1977	Forlani .....	99/341
4,214,515	7/1980	Kubiatowicz .....	99/400
4,286,136	8/1981	Mason, Jr. ....	219/10.55
4,857,342	8/1989	Kappes .....	426/107
4,950,524	8/1990	Hacker .....	428/163

*Primary Examiner*—Alan P. Douglas  
*Assistant Examiner*—Caron D. Veynar

*Attorney, Agent, or Firm*—McKinney, Stringer & Webster

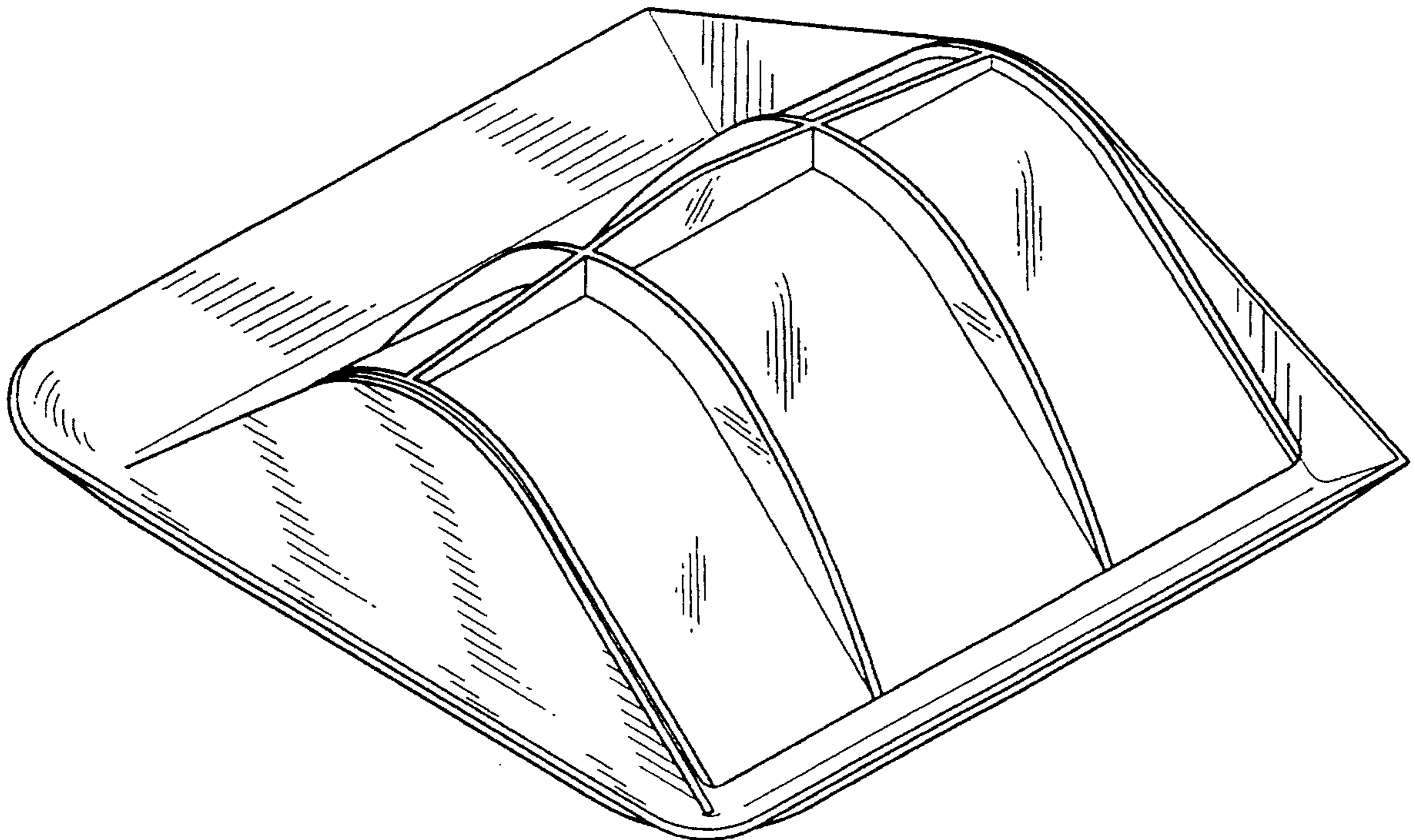
[57] **CLAIM**

The ornamental design for a bacon crisper, as shown.

**DESCRIPTION**

FIG. 1 is a top, front and left side perspective view of a bacon crisper showing my new design;  
 FIG. 2 is a top, rear and right side perspective view thereof;  
 FIG. 3 is a left side elevation view thereof;  
 FIG. 4 is a right side elevation view thereof;  
 FIG. 5 is a top plan view thereof;  
 FIG. 6 is a front elevation view, the rear elevation view being a mirror image thereof;  
 FIG. 7 is a bottom plan view thereof;  
 FIG. 8 is an exploded top, front and left side perspective view thereof;  
 FIG. 9 is an exploded top, rear and right side perspective view thereof;  
 FIG. 10 is an exploded left side elevation view thereof;  
 FIG. 11 is an exploded right side elevation view thereof;  
 FIG. 12 is an exploded front elevation view, the rear elevation being a mirror image thereof;  
 FIG. 13 is a top plan view of the top portion of the bacon crisper shown separately for ease of illustration;  
 FIG. 14 is a bottom plan view of the top portion of the bacon crisper shown separately for ease of illustration; and,  
 FIG. 15 is a top plan view of the bottom portion of the bacon crisper shown separately for ease of illustration.

**1 Claim, 11 Drawing Sheets**



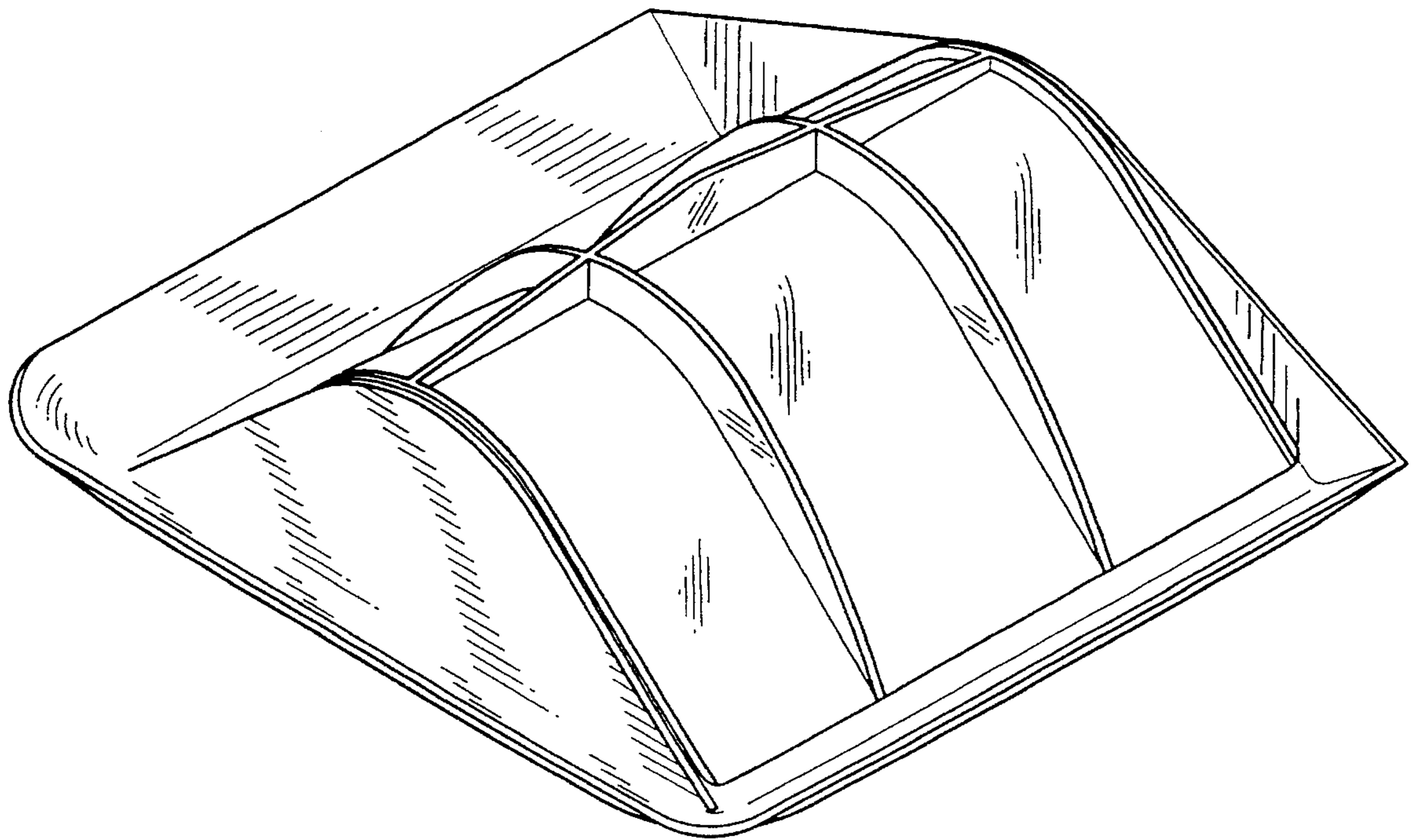


Fig. 1

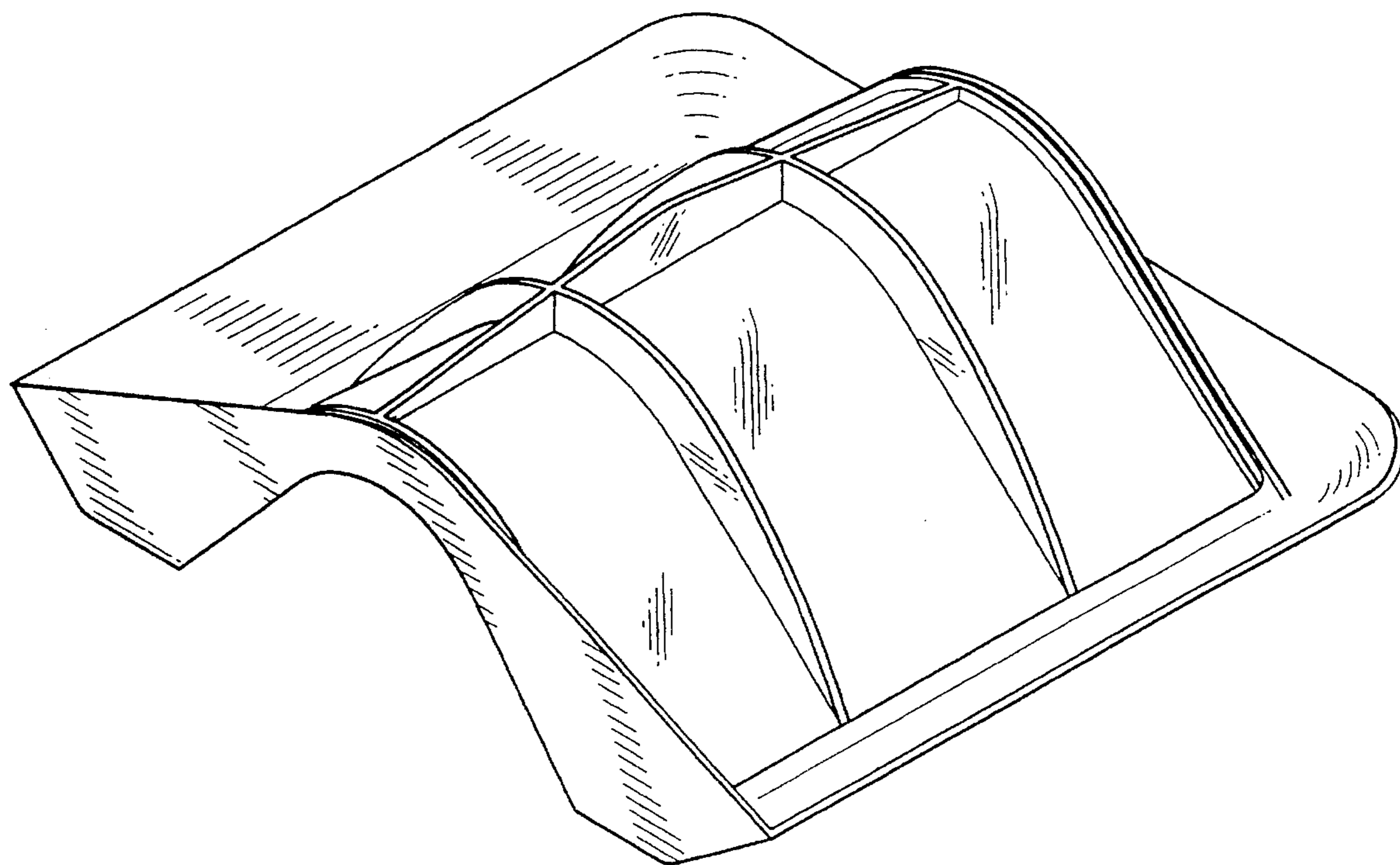


Fig. 2



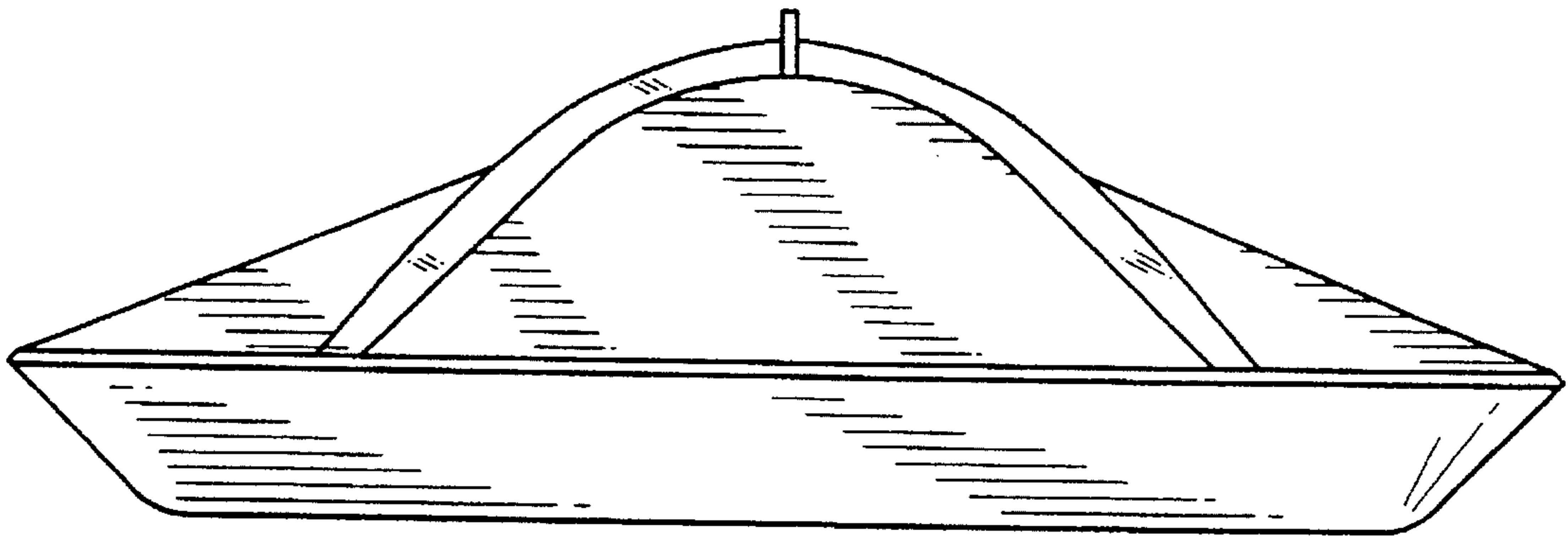


Fig. 3

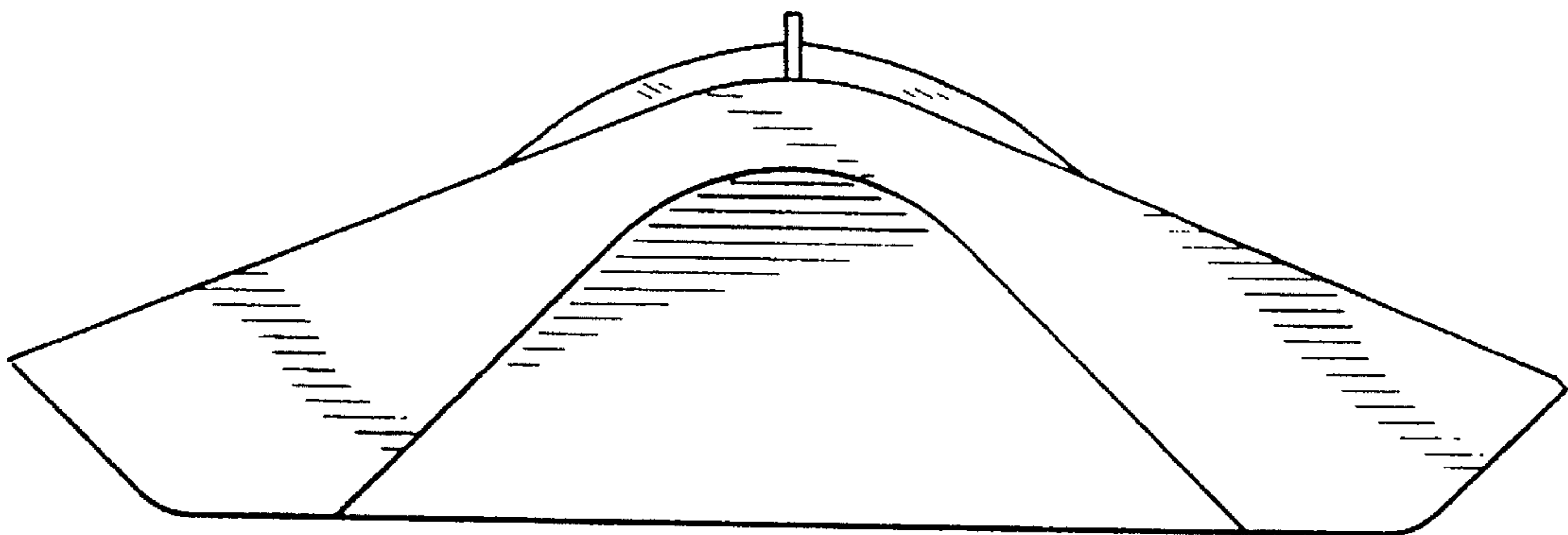


Fig. 4

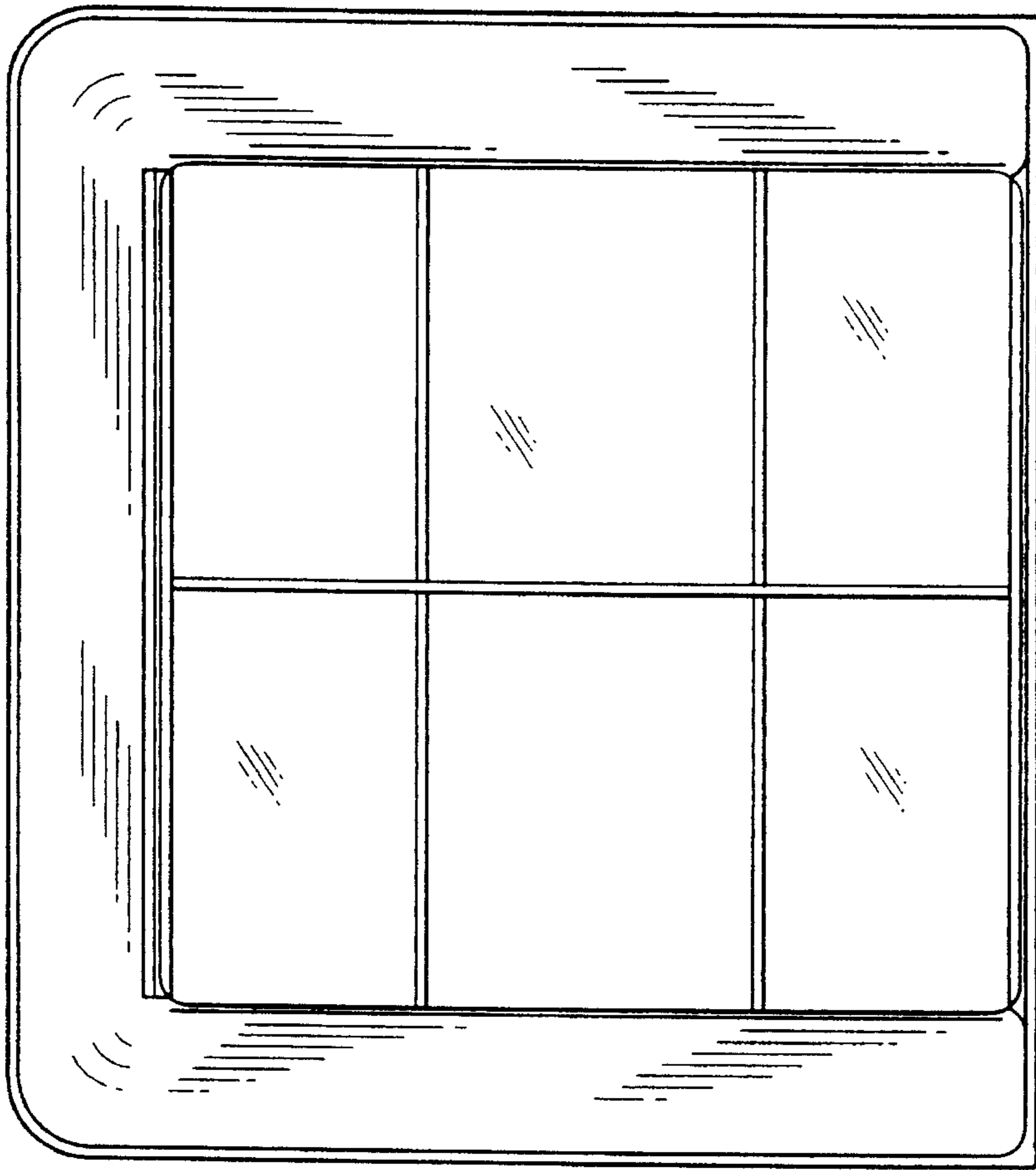


Fig. 5

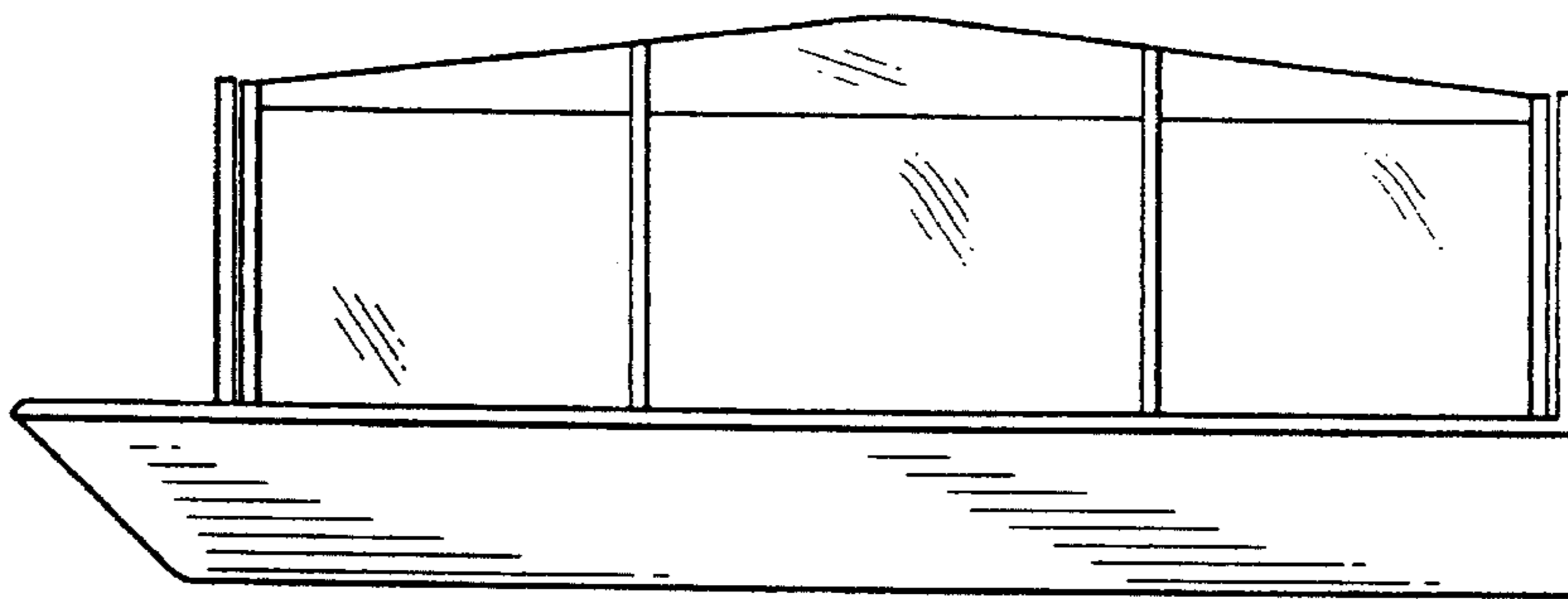


Fig. 6

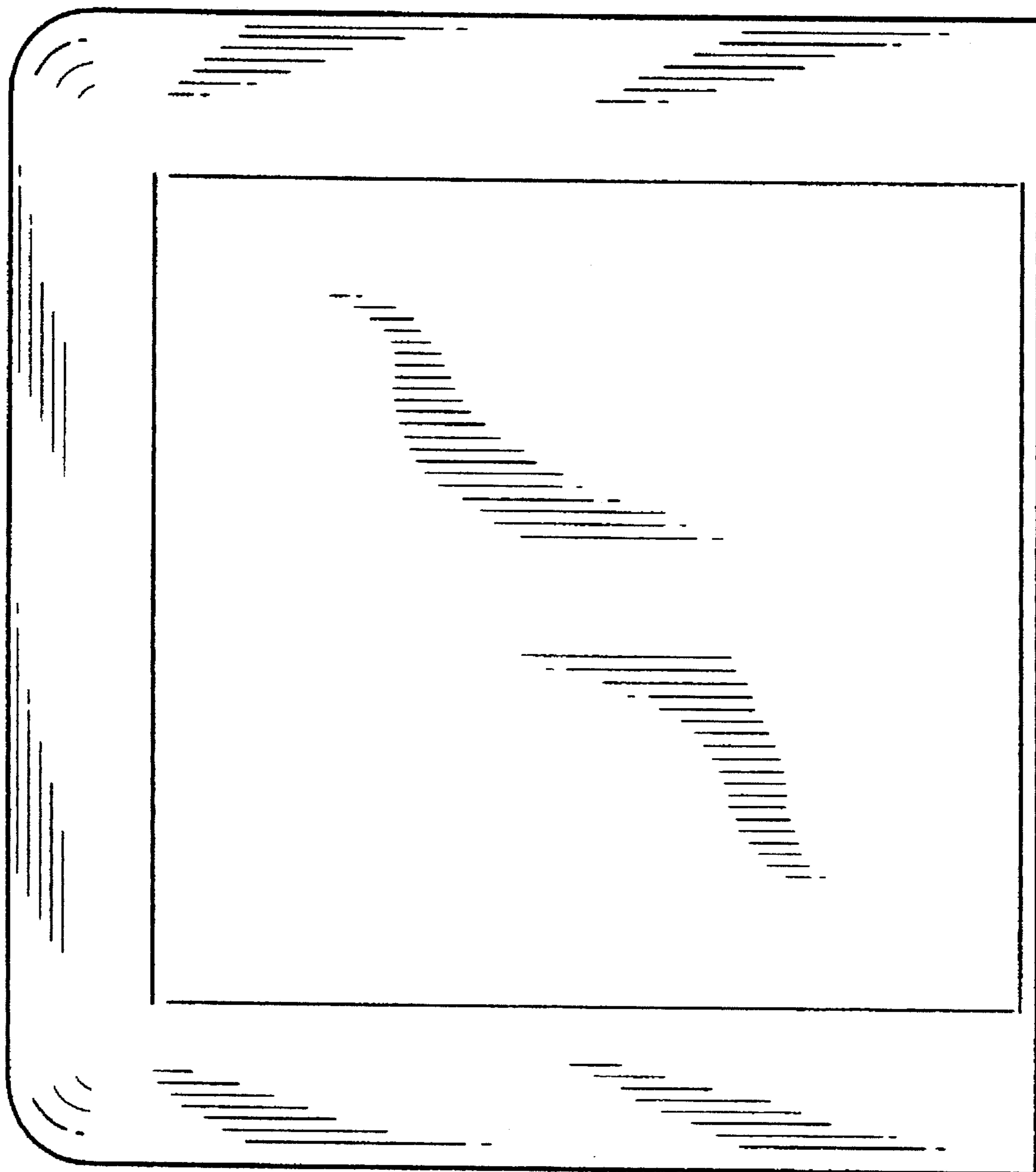


Fig. 7

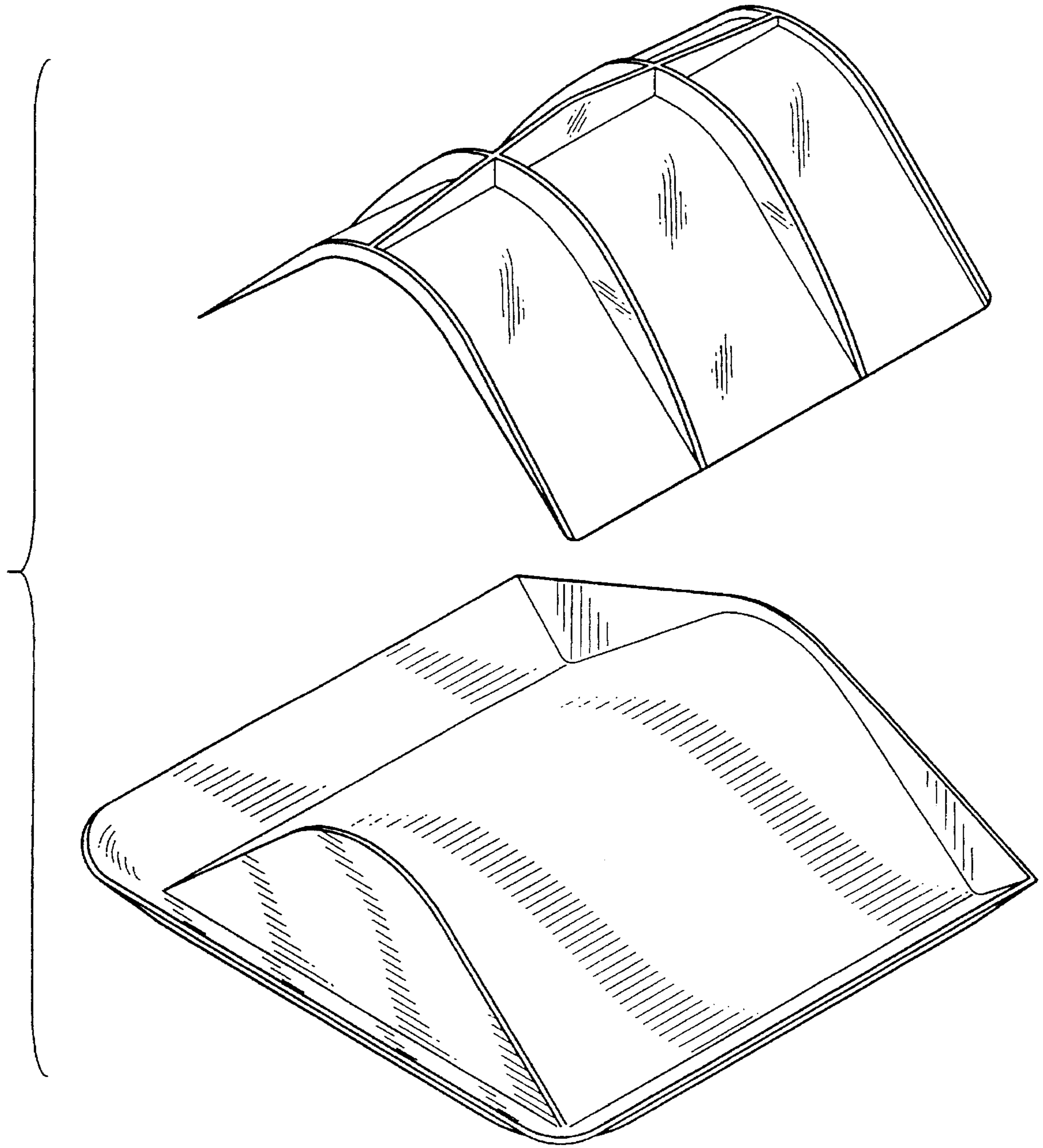


Fig. 8

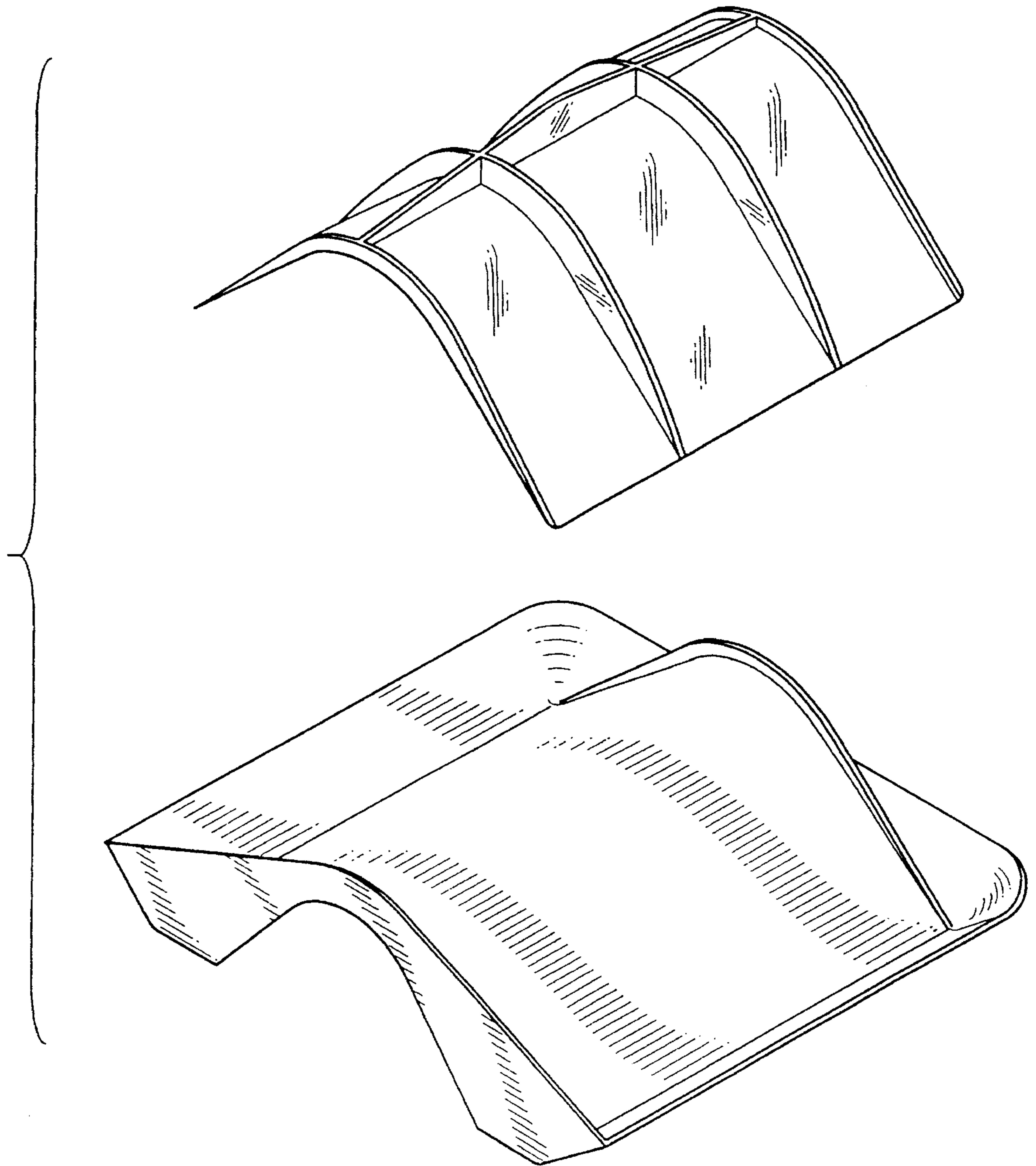


Fig. 9



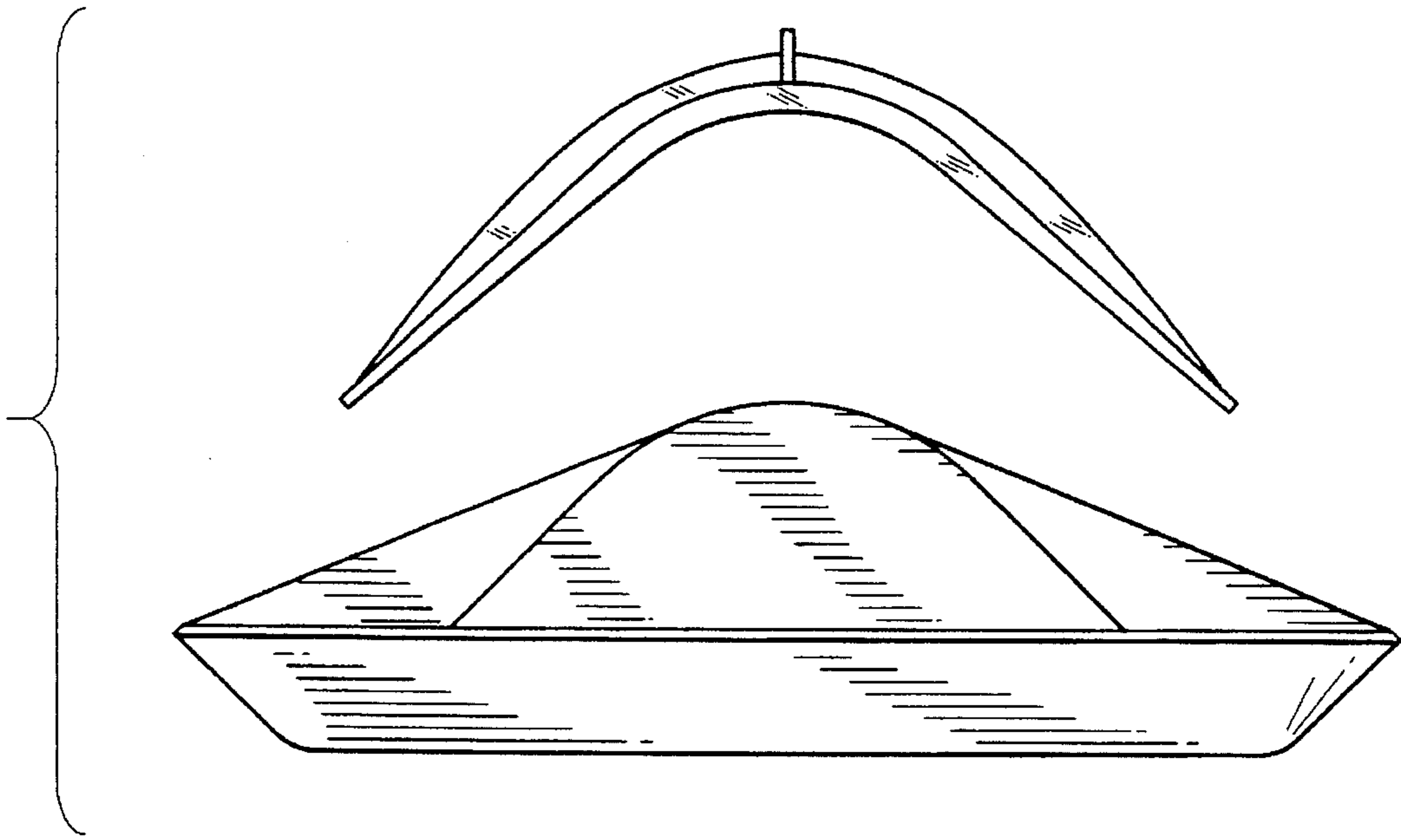


Fig. 10

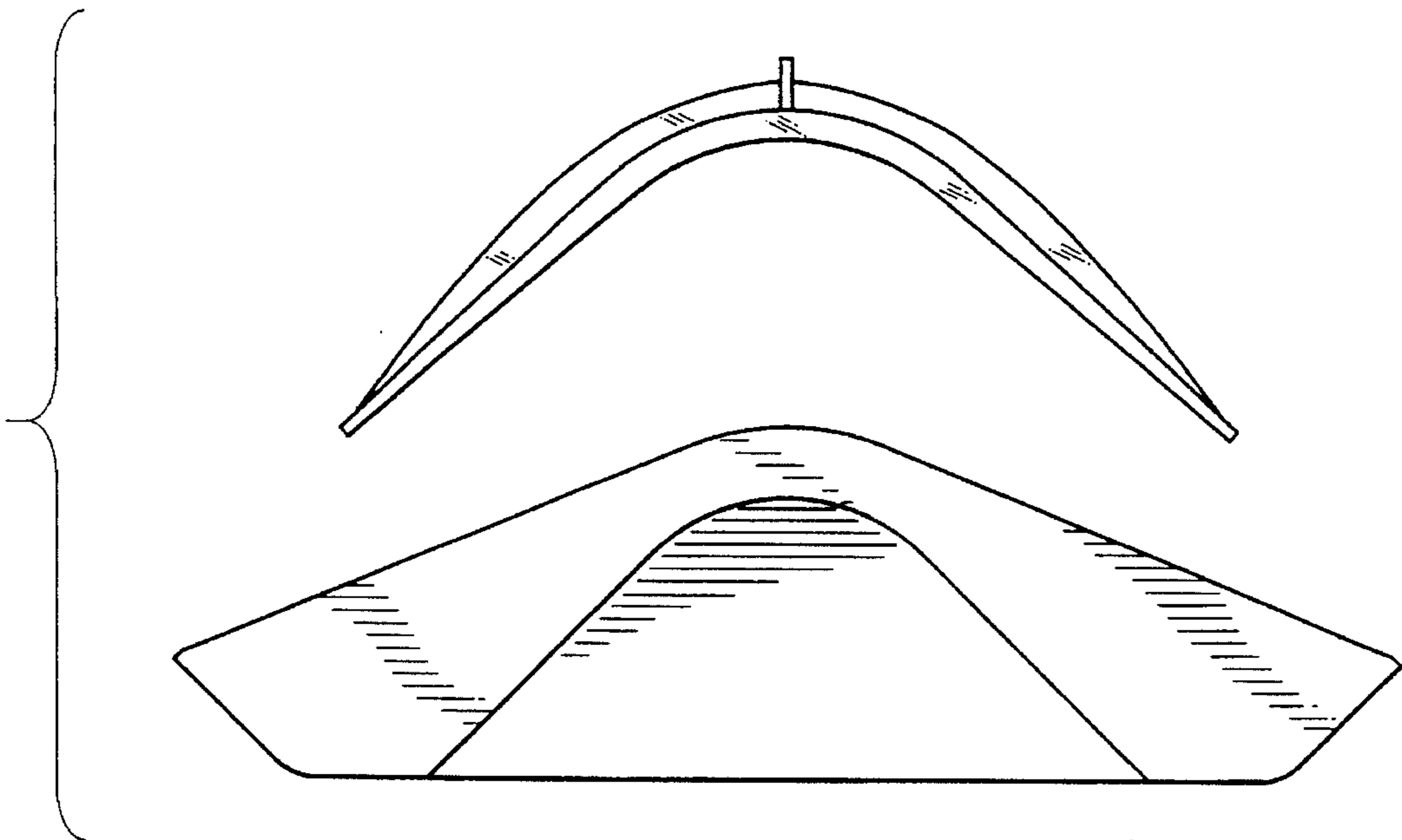


Fig. 11

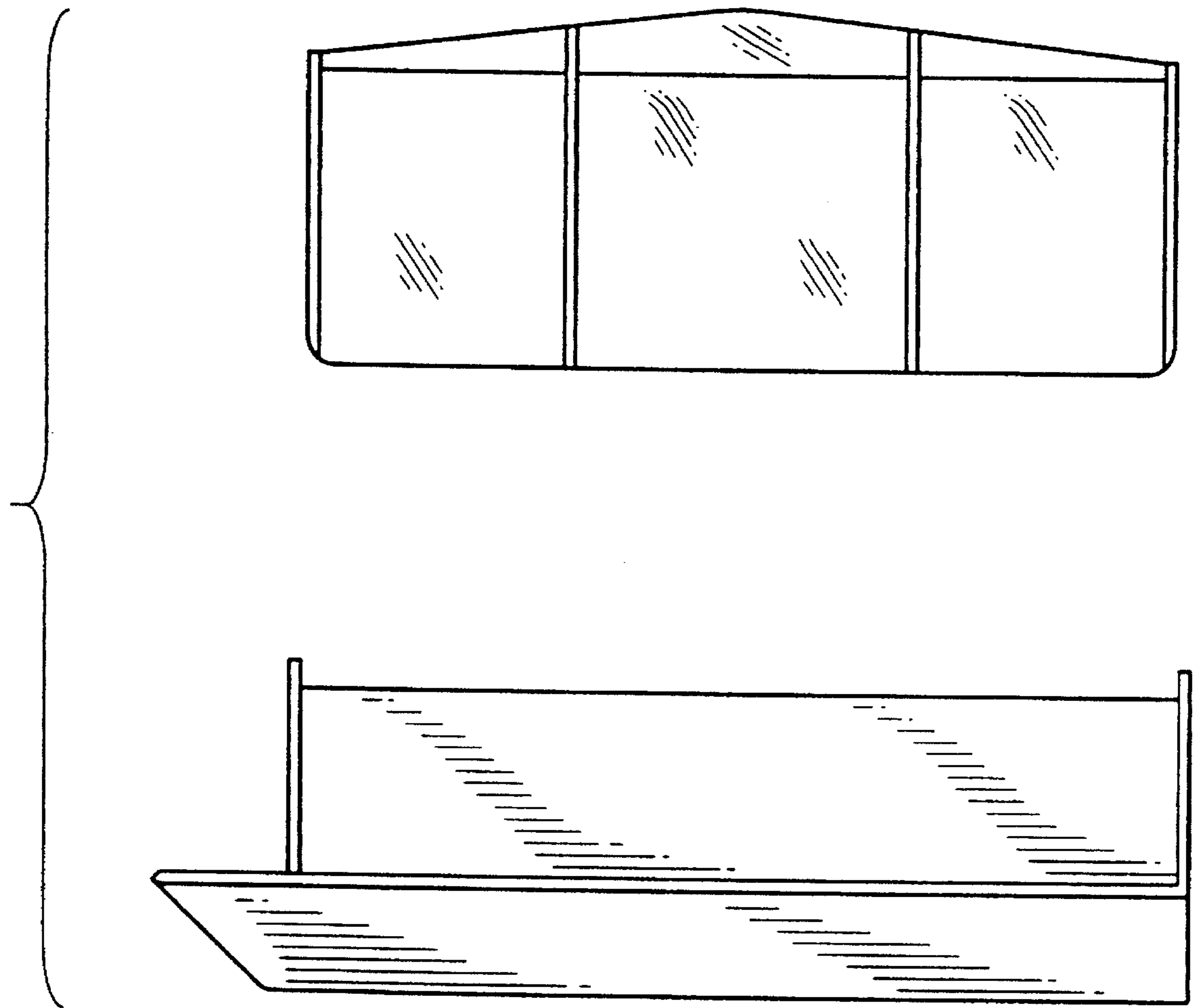


Fig. 12

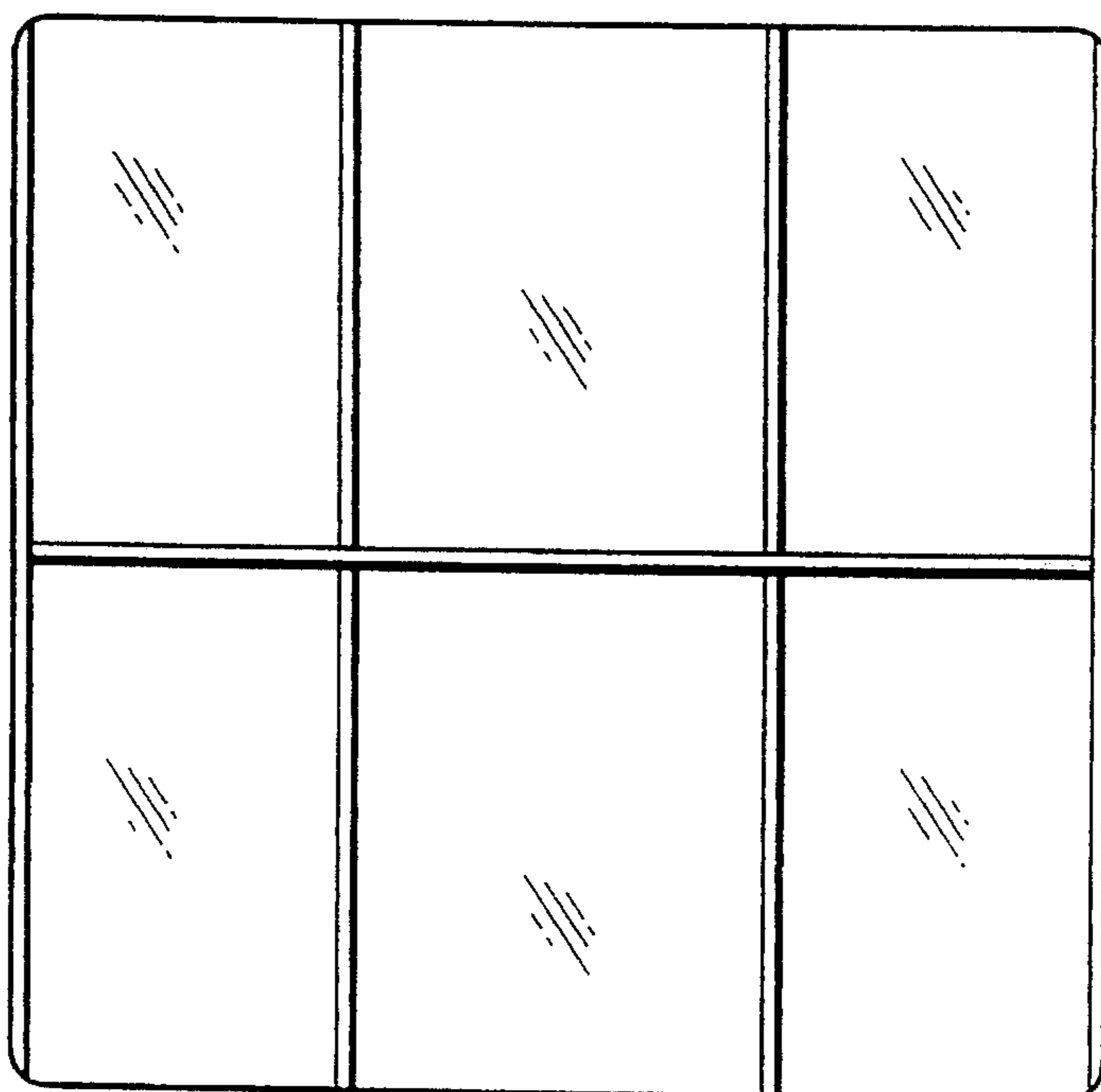


Fig. 13

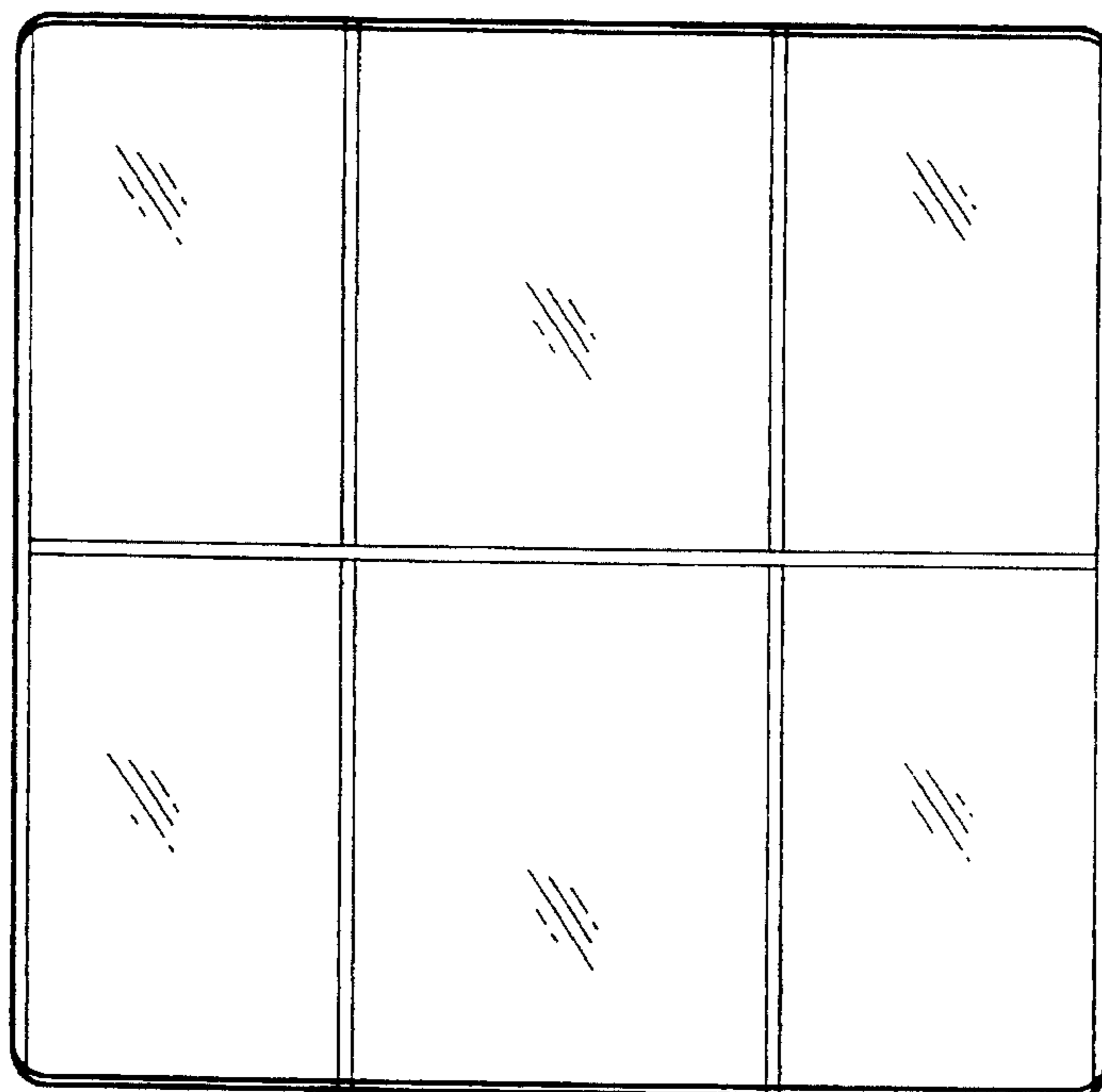


Fig. 14

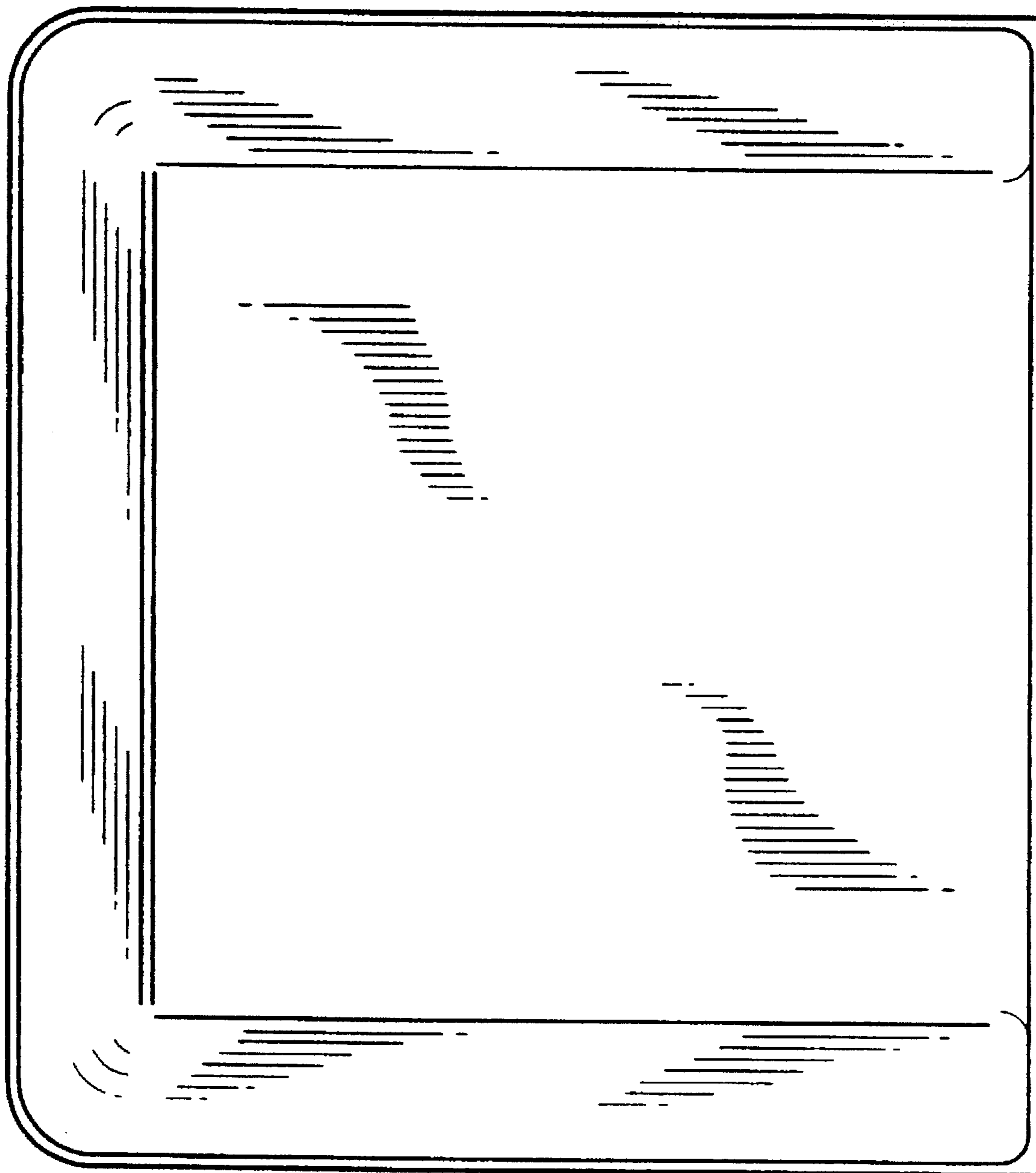


Fig. 15