



US00D370824S

United States Patent [19] Kim

[11] **Patent Number: Des. 370,824**
[45] **Date of Patent: **Jun. 18, 1996**

[54] **MICROWAVE OVEN**

D. 318,396 7/1991 Jung D7/351
D. 318,397 7/1991 Jung D7/351

[75] Inventor: **Jin M. Kim**, Seoul, Rep. of Korea

Primary Examiner—Ruth McInroy
Attorney, Agent, or Firm—Beveridge, DeGrandi, Weilacher & Young

[73] Assignee: **Goldstar Co., Ltd.**, Seoul, Rep. of Korea

[**] Term: **14 Years**

[57] CLAIM

[21] Appl. No.: **26,374**

The ornamental design for microwave oven, as shown.

[22] Filed: **Jul. 27, 1994**

DESCRIPTION

[52] U.S. Cl. **D7/351**

FIG. 1 is a front perspective view of a microwave oven showing my new design;
FIG. 2 is a front elevational view thereof;
FIG. 3 is a rear elevational view thereof;
FIG. 4 is a top plan view thereof;
FIG. 5 is a bottom plan view thereof;
FIG. 6 is a left side elevational view thereof; and,
FIG. 7 is a right side elevational view thereof.

[58] **Field of Search** D7/350, 351; 219/678, 219/756, 391; 426/241, 243; 126/19 R, 19 M, 21 A, 273 R, 275 R, 275 E, 273 A

[56] References Cited

U.S. PATENT DOCUMENTS

D. 242,420 11/1976 Ura et al. D7/351
D. 304,662 11/1989 Yoo D7/351
D. 304,800 11/1989 Yoo D7/351

1 Claim, 4 Drawing Sheets

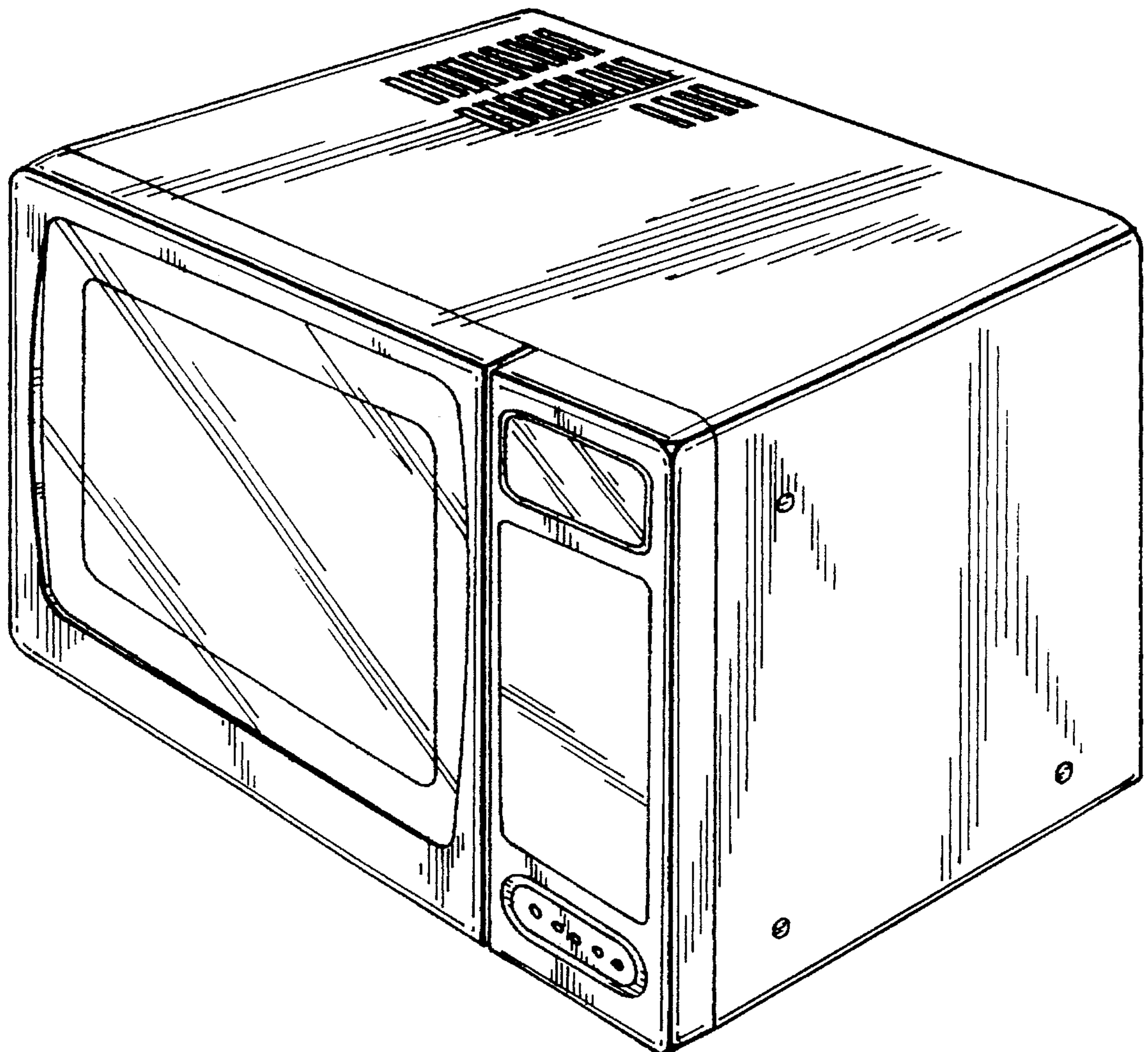


FIG. 1

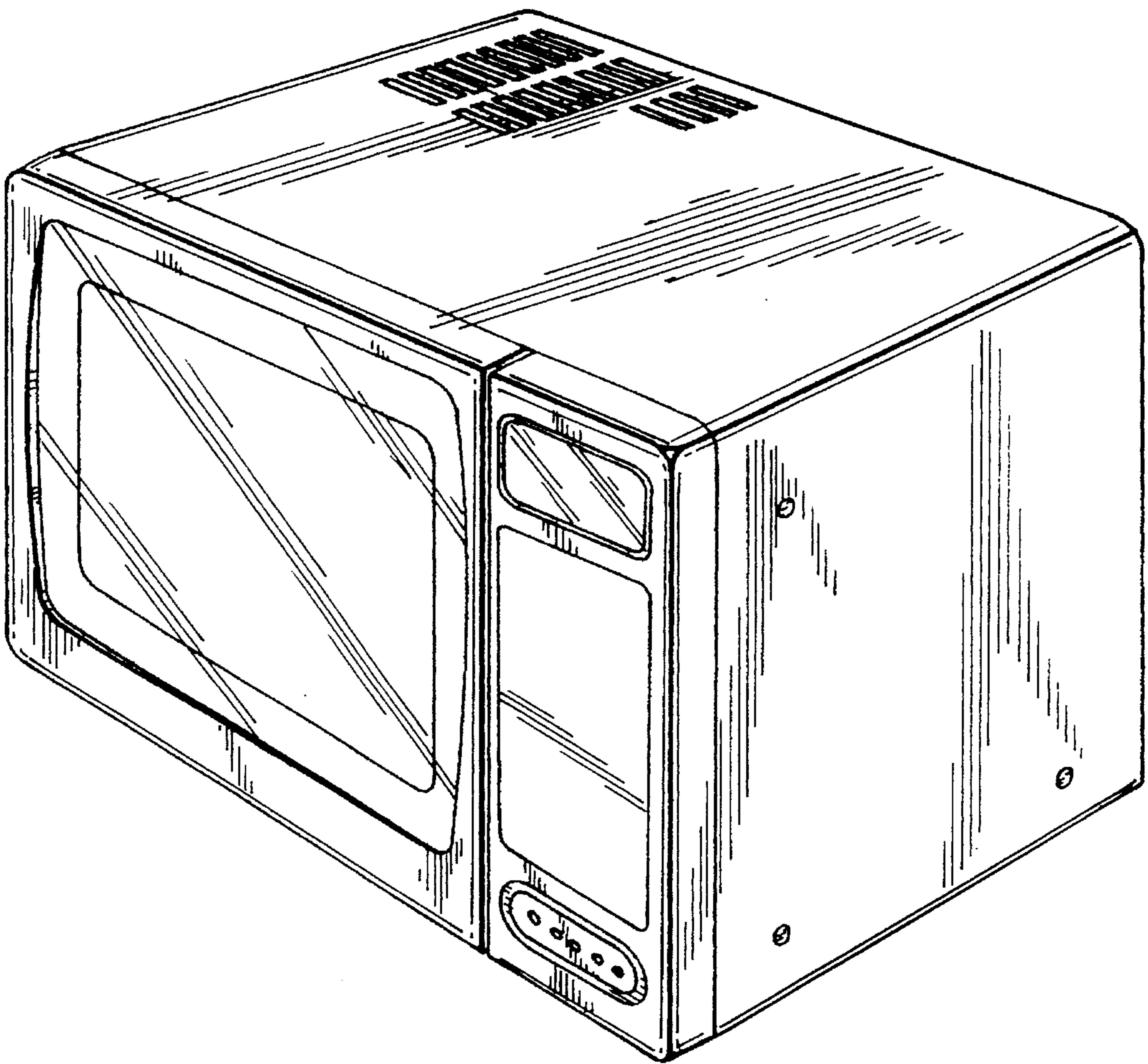


FIG. 2

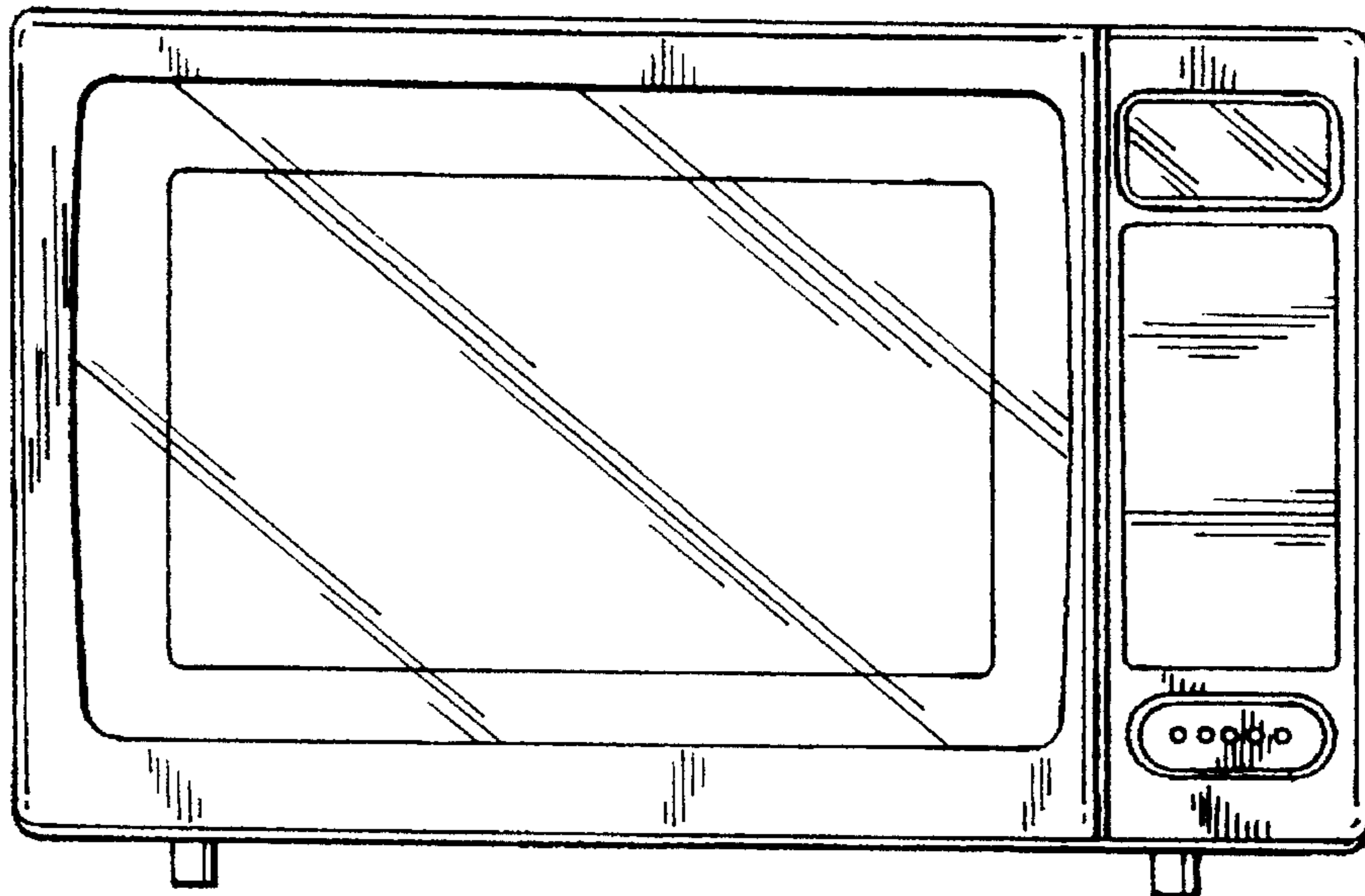


FIG. 3

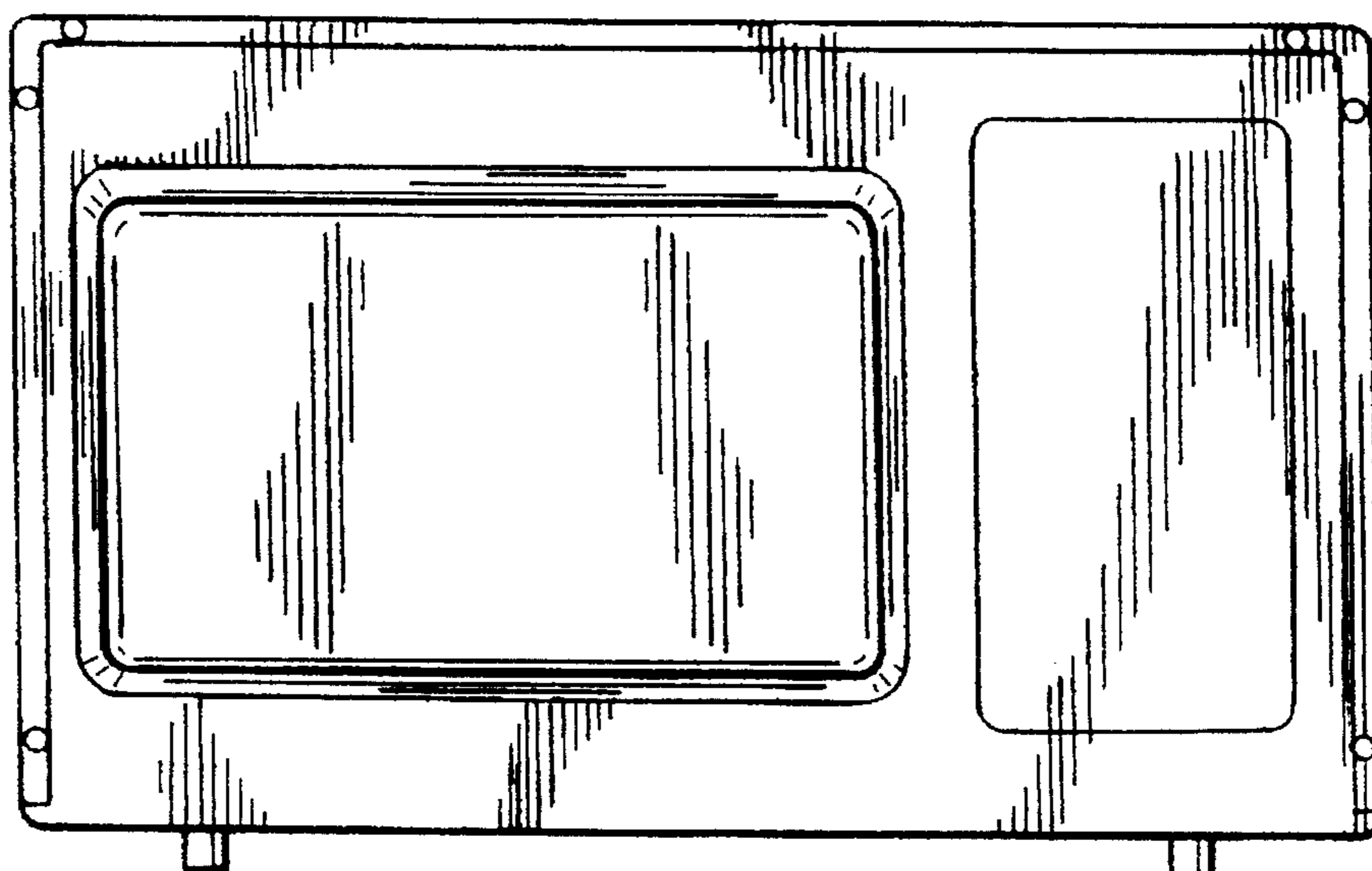


FIG. 4

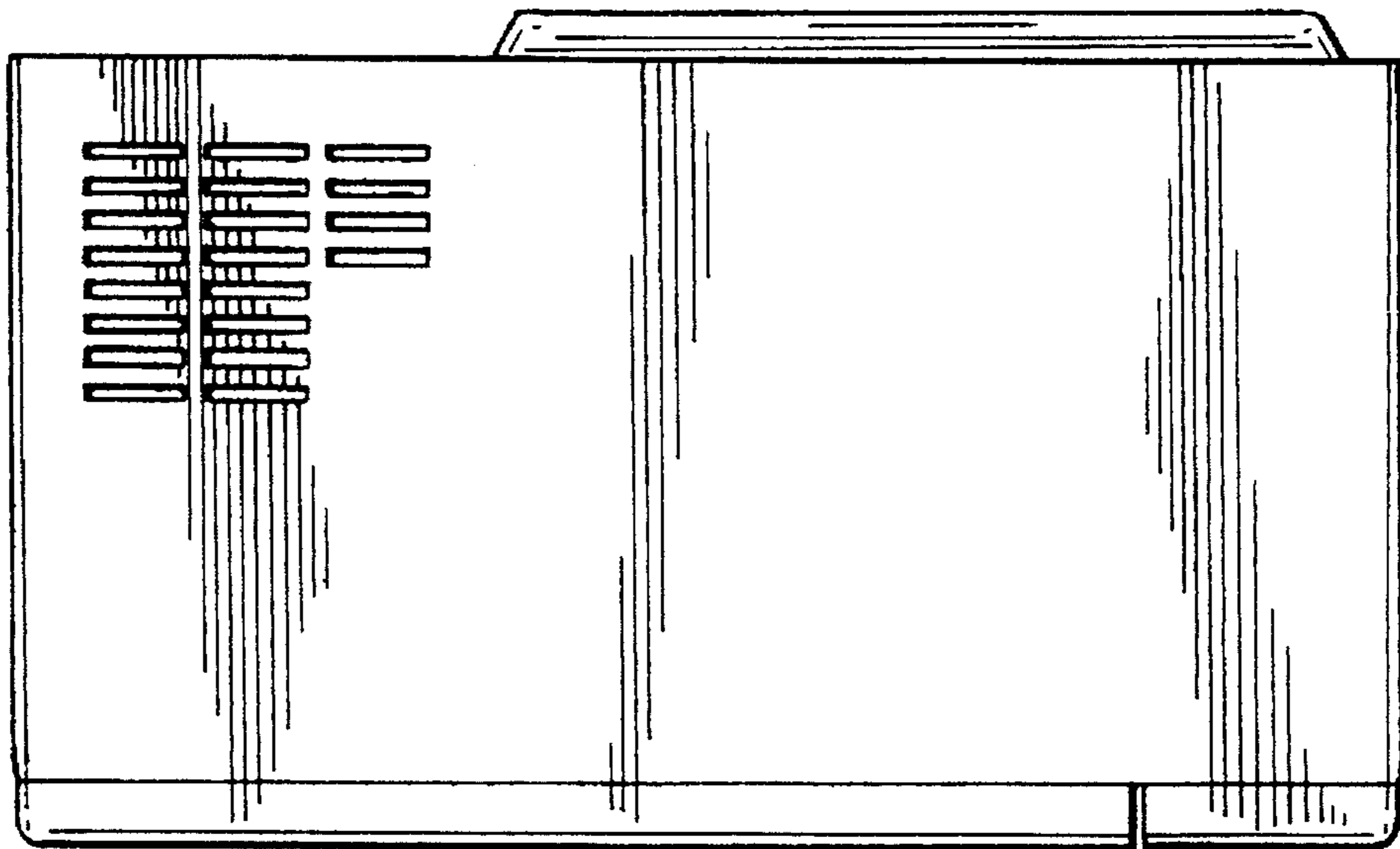


FIG. 5

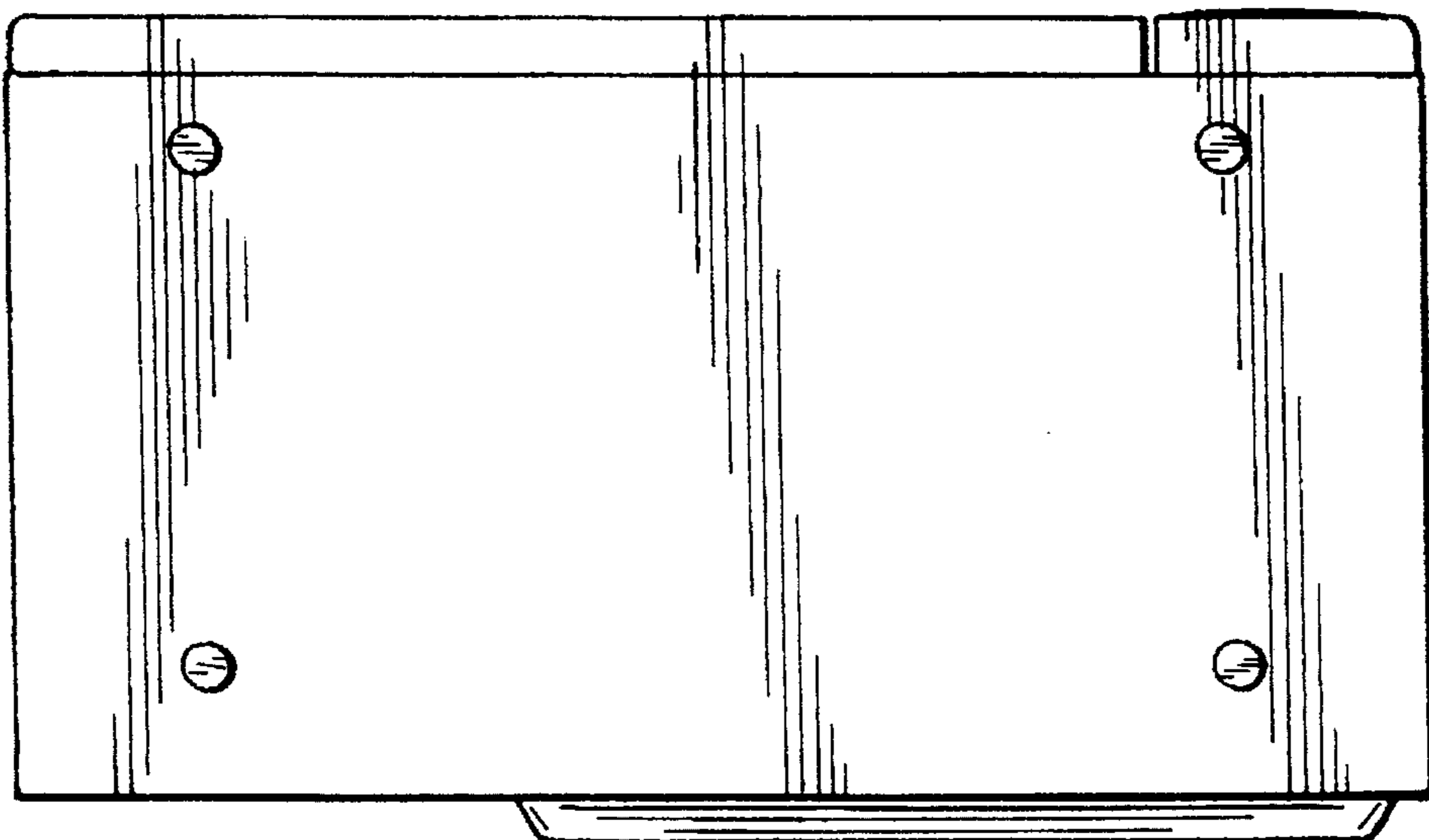


FIG. 7

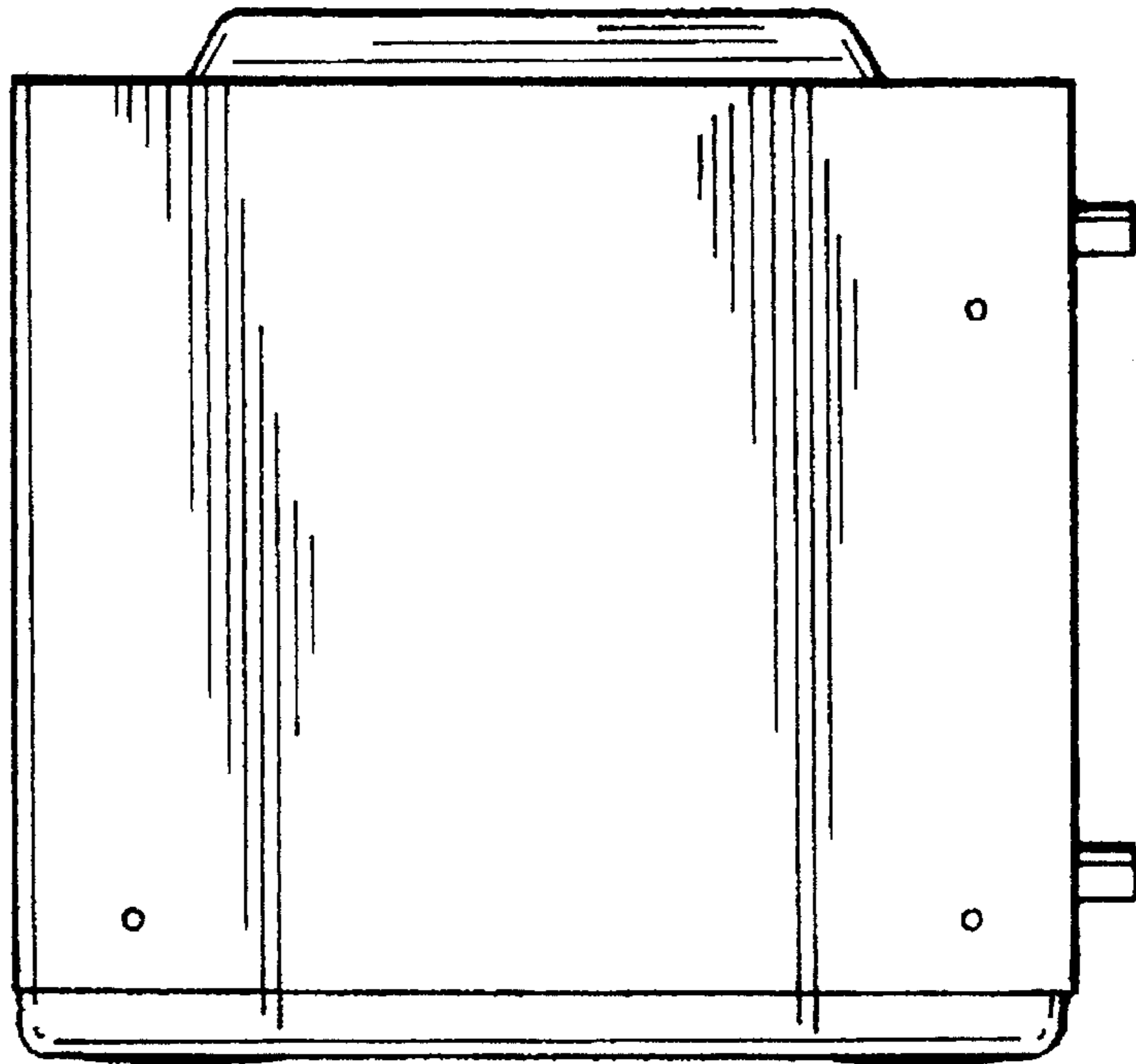


FIG. 6

