



US00D370823S

United States Patent [19]

[11] **Patent Number: Des. 370,823**

Traeger et al.

[45] **Date of Patent: **Jun. 18, 1996**

[54] **BARBEQUE GRILL**

OTHER PUBLICATIONS

[76] Inventors: **Joseph P. Traeger**, 255 Alder St.;
Mark A. Traeger, 260 S. Oak;
Randolph J. Traeger, 540 Alder St., all
of Mt. Angel, Oreg. 97362

Schoner Wohnen, Mar. 1989, p. 135.

Primary Examiner—Ruth McInroy
Attorney, Agent, or Firm—Kolisich, Hartwell, Dickinson,
McCormack & Heuser

[**] Term: **14 Years**

[57] **CLAIM**

[21] Appl. No.: **26,912**

The ornamental design for a barbeque grill, as shown.

[22] Filed: **Aug. 8, 1994**

DESCRIPTION

[52] **U.S. Cl.** **D7/332**

[58] **Field of Search** D7/332-337, 402-404;
126/25 R, 25 A, 25 AA, 25 B, 9 R, 9 B,
29-30, 38, 40, 50, 59.5, 19 AR; D21/186

FIG. 1 is a left side perspective view of a barbeque grill
showing our new design;

FIG. 2 is a right side perspective view thereof;

FIG. 3 is a left side elevational view thereof;

FIG. 4 is a right side elevational view thereof;

FIG. 5 is a top plan view thereof;

FIG. 6 is a bottom plan view thereof;

FIG. 7 is a front elevational view thereof; and,

FIG. 8 is a rear elevational view thereof.

[56] **References Cited**

U.S. PATENT DOCUMENTS

| | | | | |
|------------|--------|----------|-------|---------|
| D. 230,555 | 3/1974 | Taylor | | D7/337 |
| D. 263,440 | 3/1982 | Feild | | D7/332 |
| D. 269,758 | 7/1983 | Braswell | | D7/337 |
| D. 291,939 | 9/1987 | Bennett | | D21/186 |
| 2,398,011 | 4/1946 | Kaplan | | D21/186 |

1 Claim, 4 Drawing Sheets

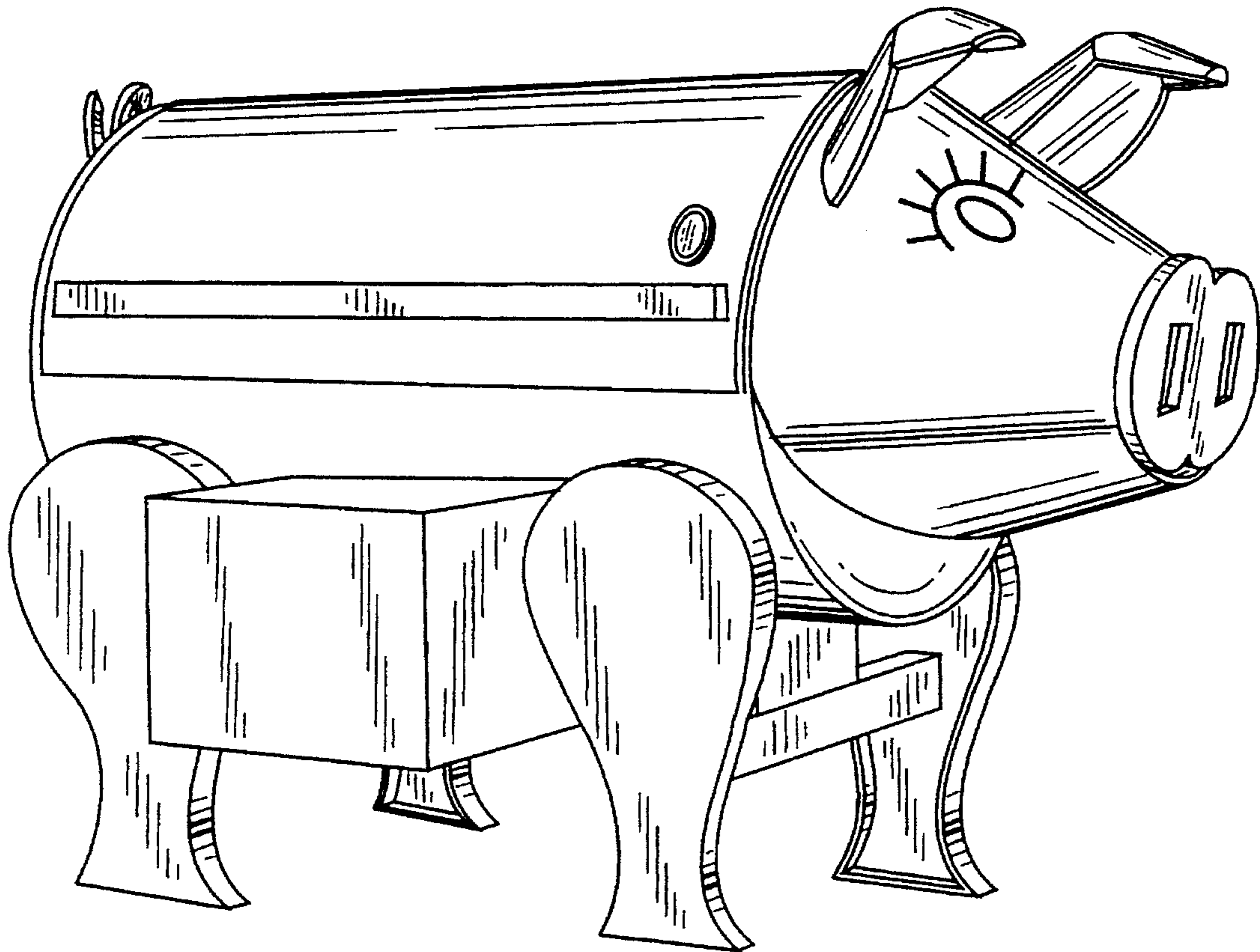


FIG. 1

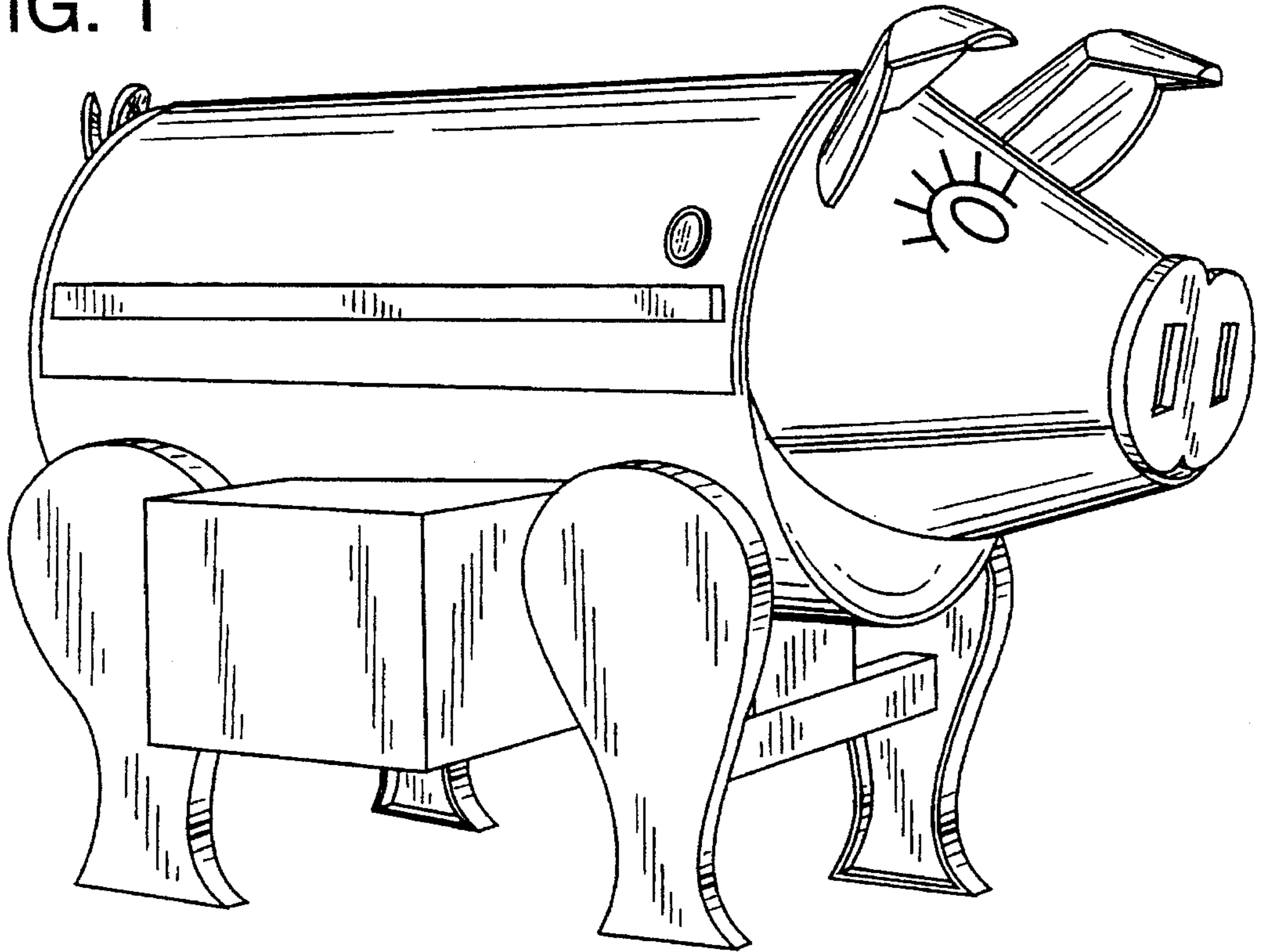


FIG. 2

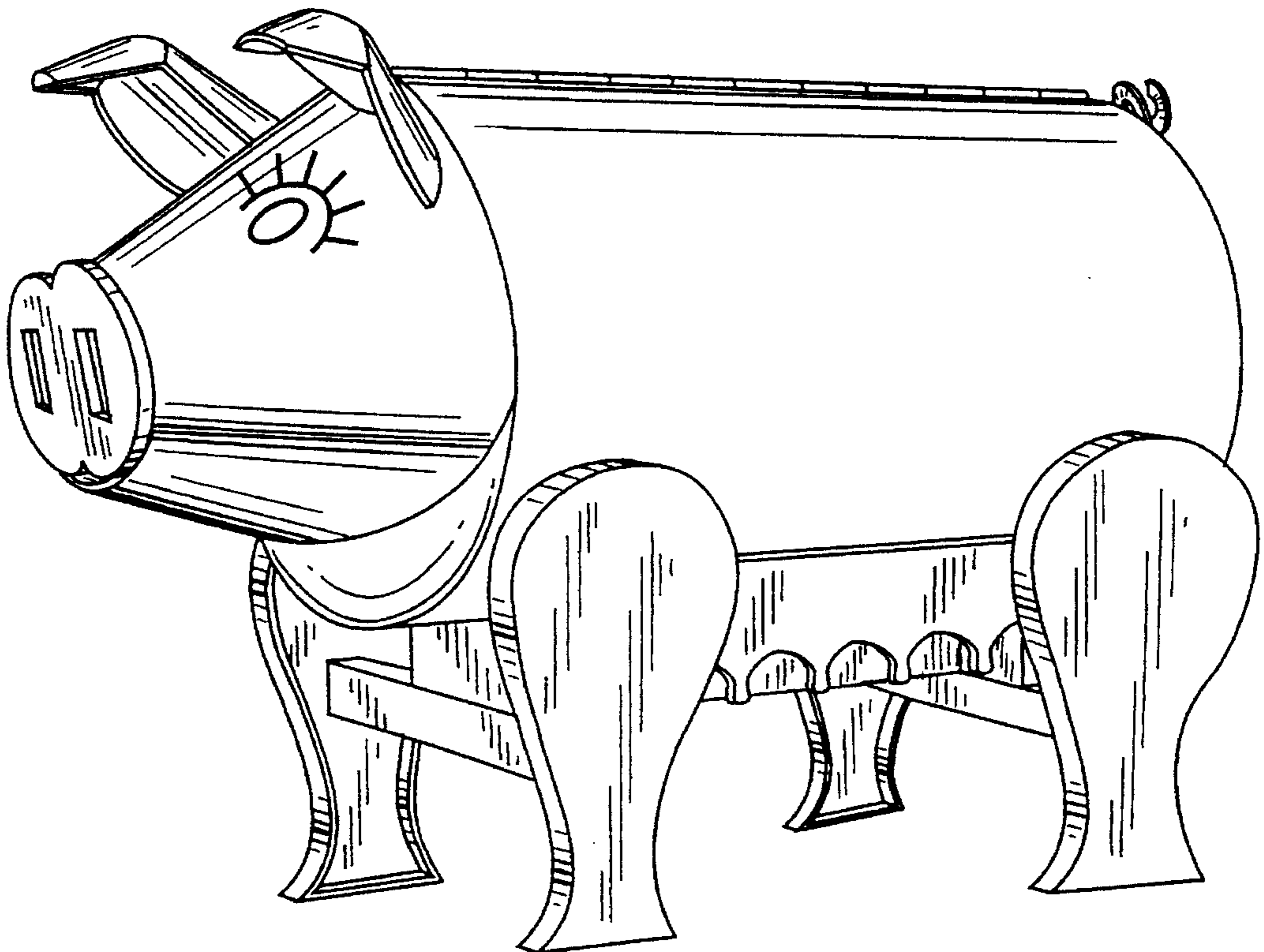


FIG. 3

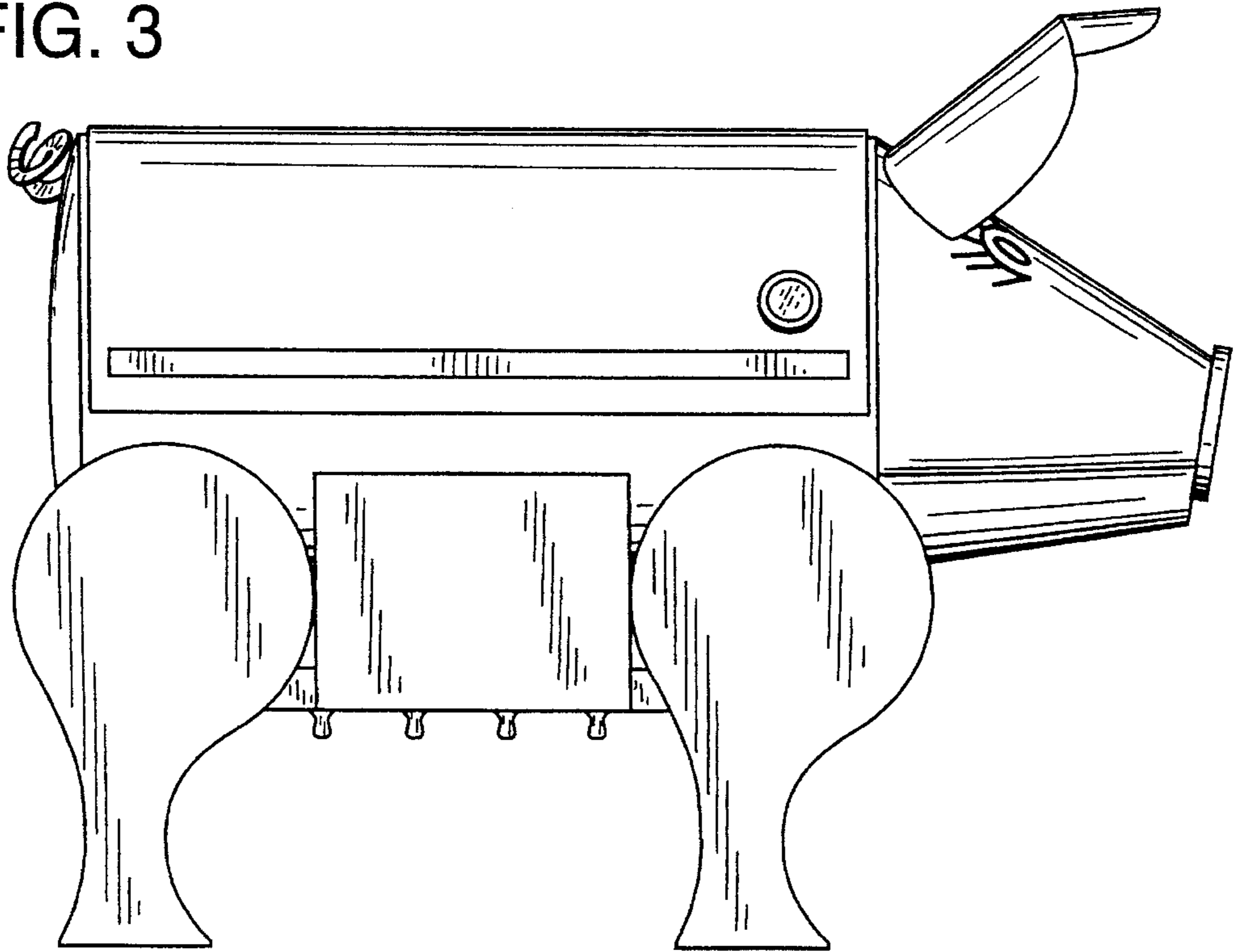


FIG. 4

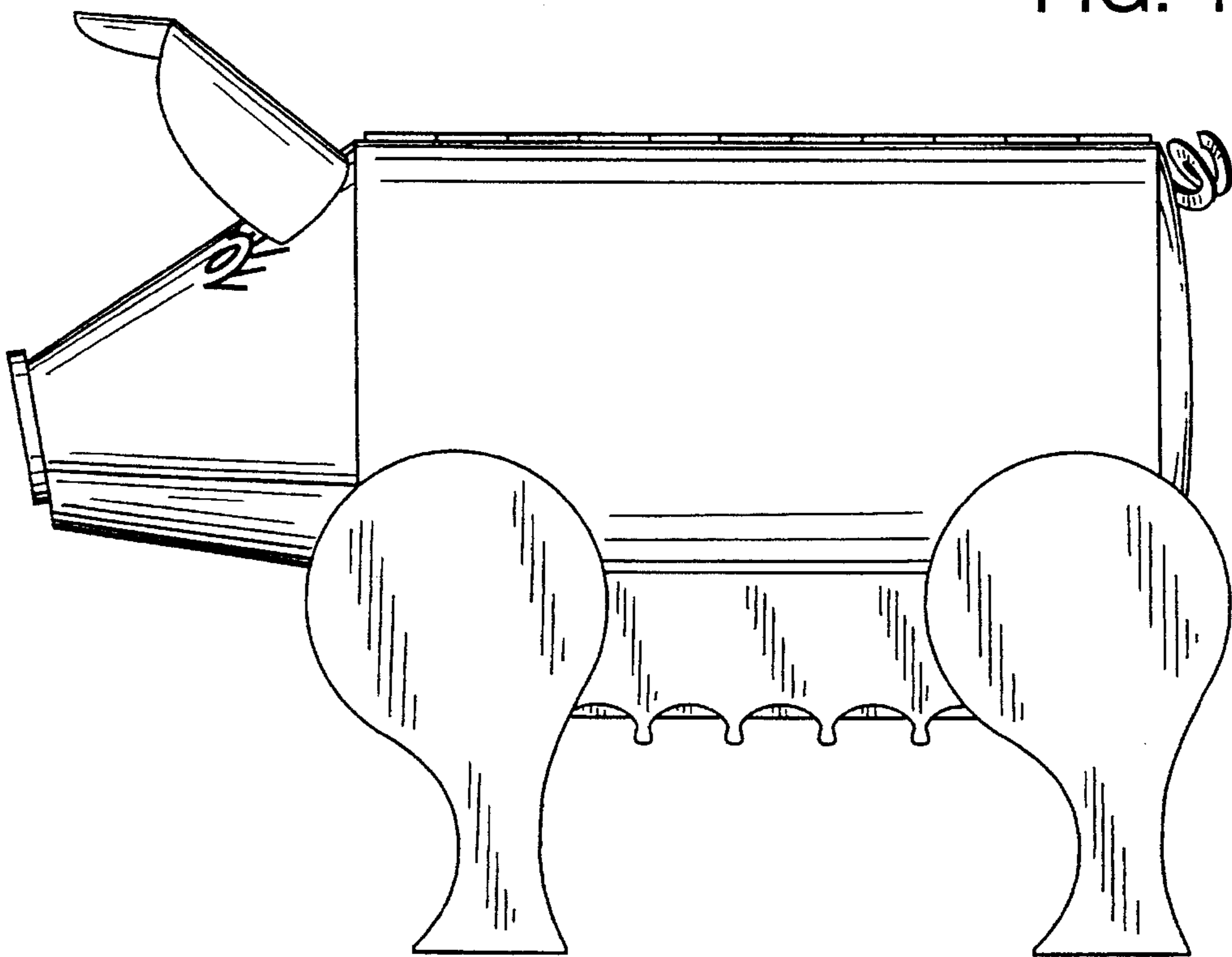


FIG. 5

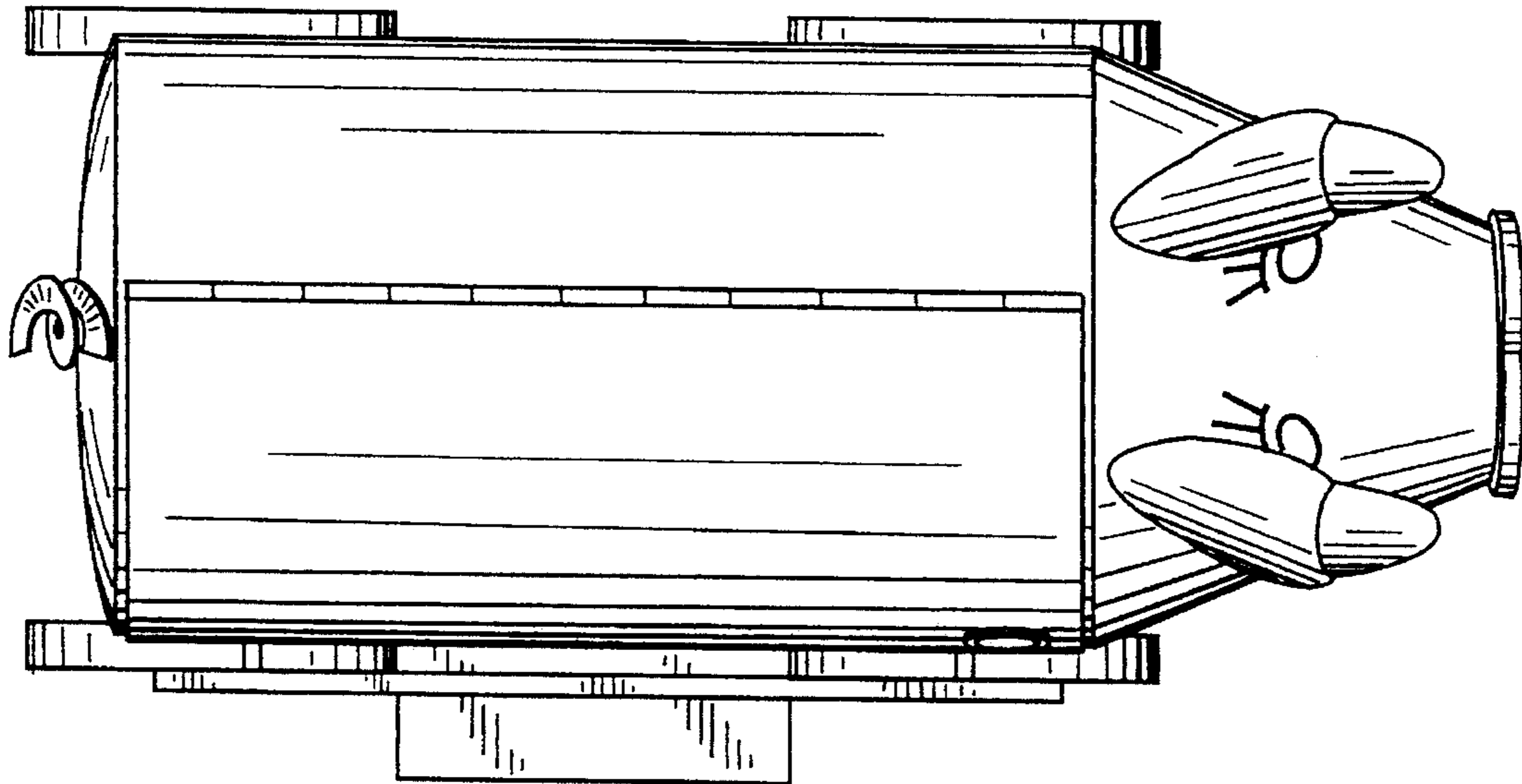


FIG. 6

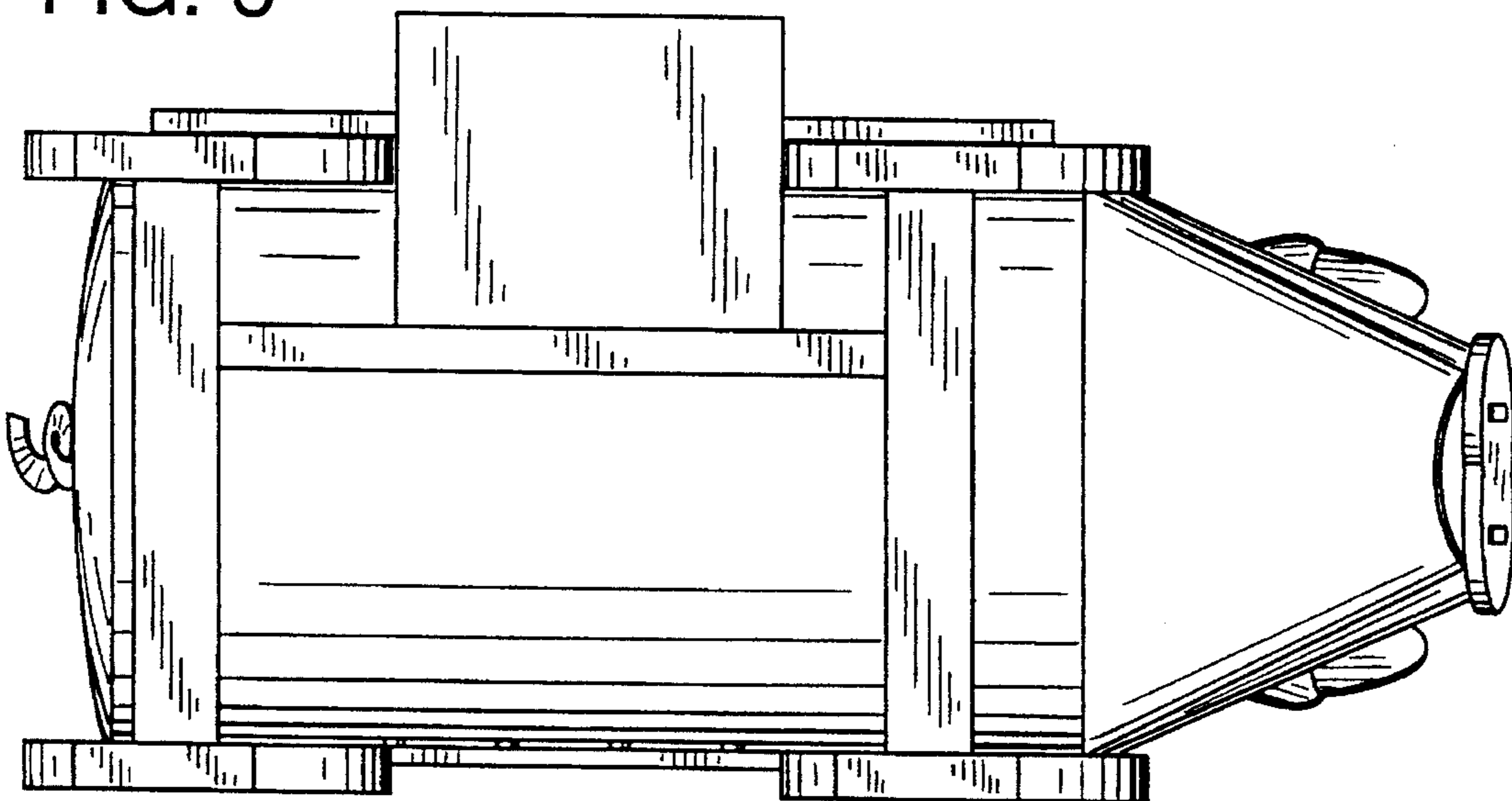


FIG. 7

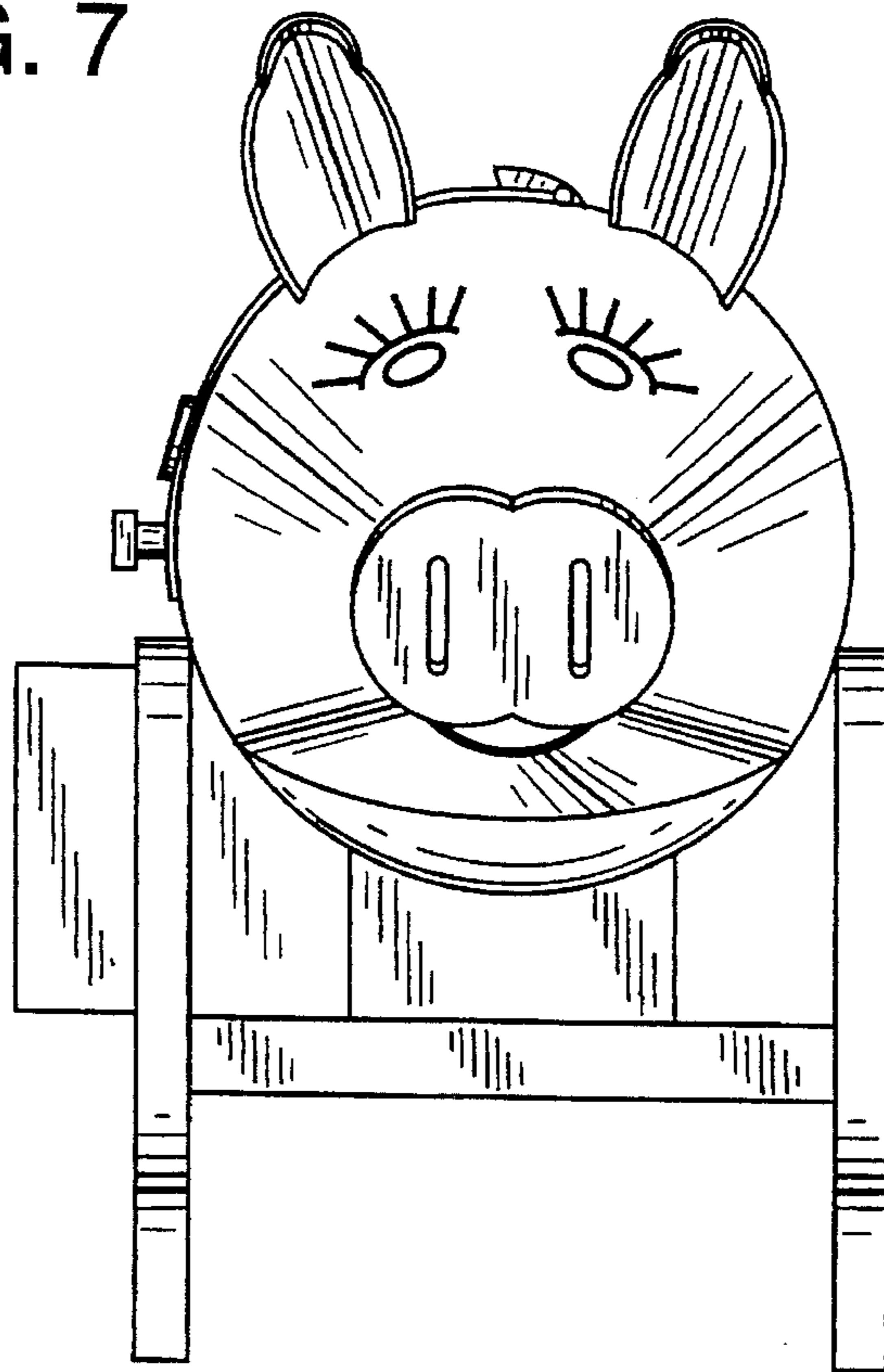


FIG. 8

