



US00D370822S

United States Patent [19]

[11] Patent Number: **Des. 370,822**

Palomo et al.

[45] Date of Patent: ****Jun. 18, 1996**

[54] **BILATERAL EXTREMITY DRAPE**

[75] Inventors: **Joseph A. Palomo**, Ingleside; **Donna L. Christofel**; **Nancy L. Walker**, both of Evanston, all of Ill.; **Robert B. Walker**, Loveland, Ohio

[73] Assignee: **Baxter International, Inc.**, Deerfield, Ill.

[**] Term: **14 Years**

[21] Appl. No.: **13,771**

[22] Filed: **Sep. 30, 1993**

[52] U.S. Cl. **D6/602**; D6/596; D24/192

[58] Field of Search D6/595, 596, 602; 128/849, 853, 854; 5/495, 486; D24/192

[56] **References Cited**

U.S. PATENT DOCUMENTS

| | | | |
|-----------|---------|---------------------|---------|
| 4,869,271 | 9/1989 | Idris | 128/853 |
| 4,889,136 | 12/1989 | Hanssen | 128/849 |
| 5,097,847 | 3/1992 | Mikhail et al. | 128/849 |

OTHER PUBLICATIONS

A Septic Treatment of Wounds by Walter, ©1948, p. 106, Nephrectomy Sheet, bottom left side of page.

Primary Examiner—Lisa P. Lichtenstein
Attorney, Agent, or Firm—Robert A. Stenzel; Paul C. Flattery; Kay P. Hannafan

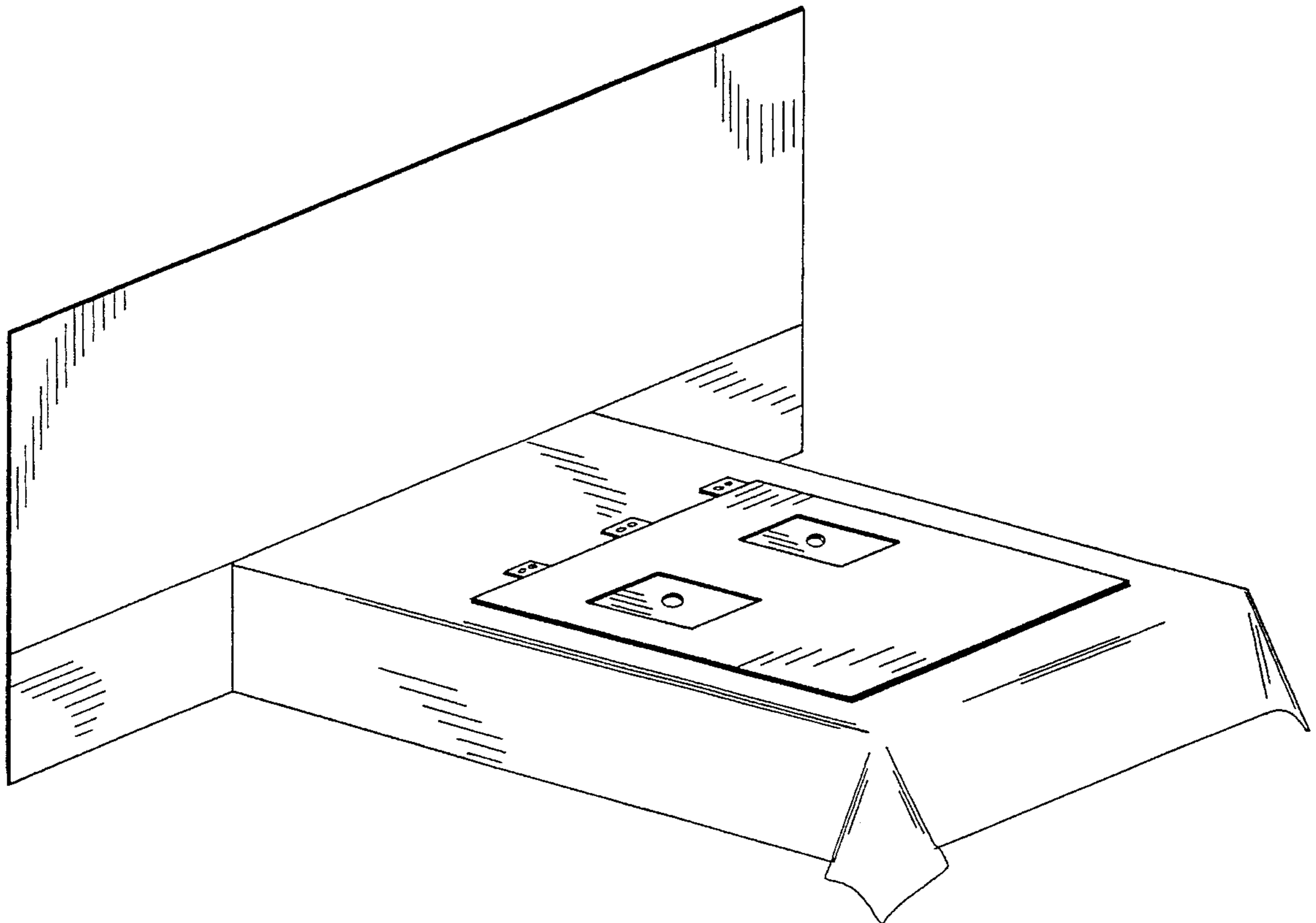
[57] **CLAIM**

The ornamental design for a bilateral extremity drape, as shown and described.

DESCRIPTION

FIG. 1 is a plan view of the upper surface of the subject drape;
FIG. 2 is a plan view of the under surface of the subject drape;
FIG. 3 is a perspective view of the upper surface of the subject drape;
FIG. 4 is a side view of the drape, the opposite side being a mirror image of that shown;
FIG. 5 is a top end view of the drape; and,
FIG. 6 is a bottom end view of the drape.

1 Claim, 4 Drawing Sheets



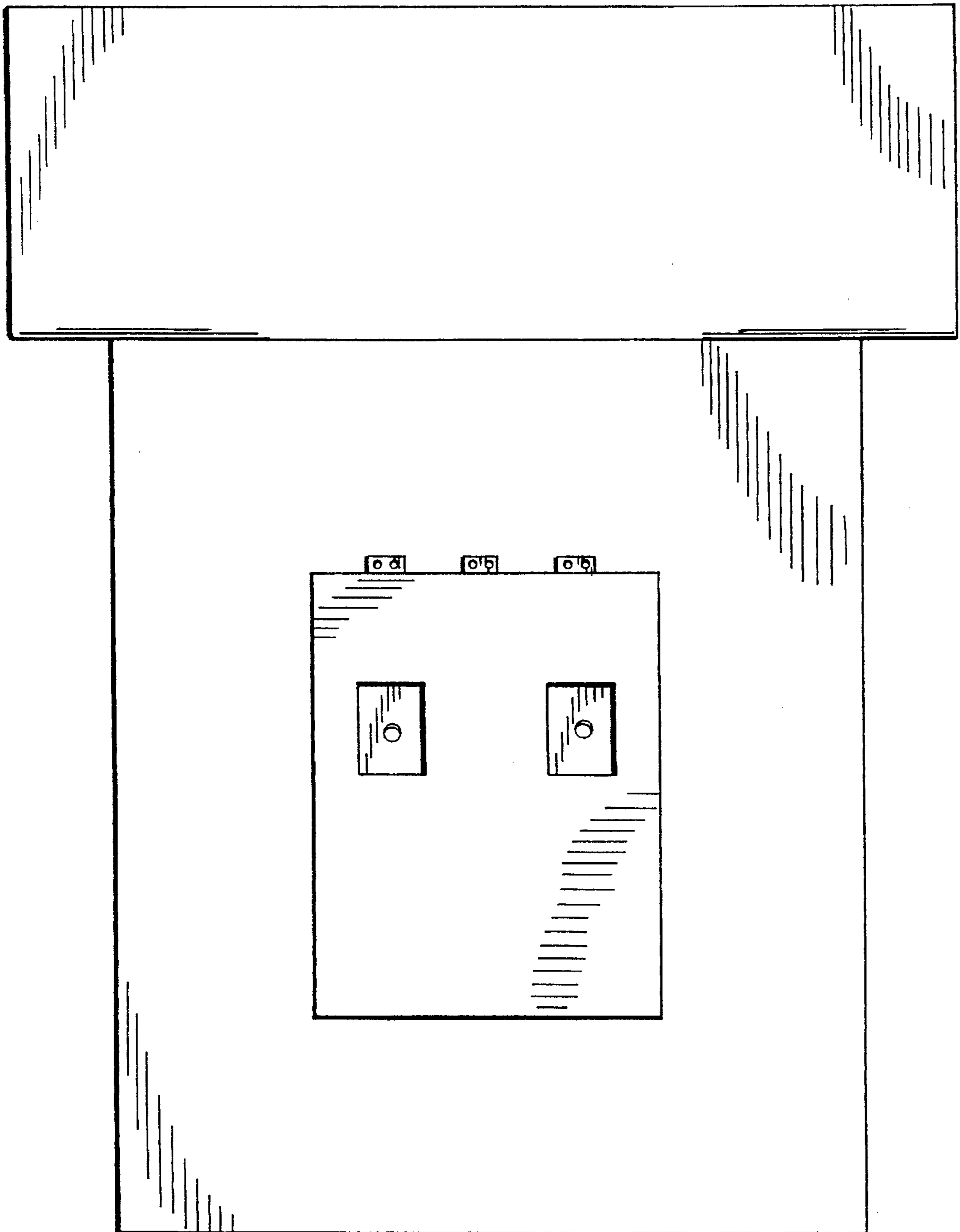


FIG. 1

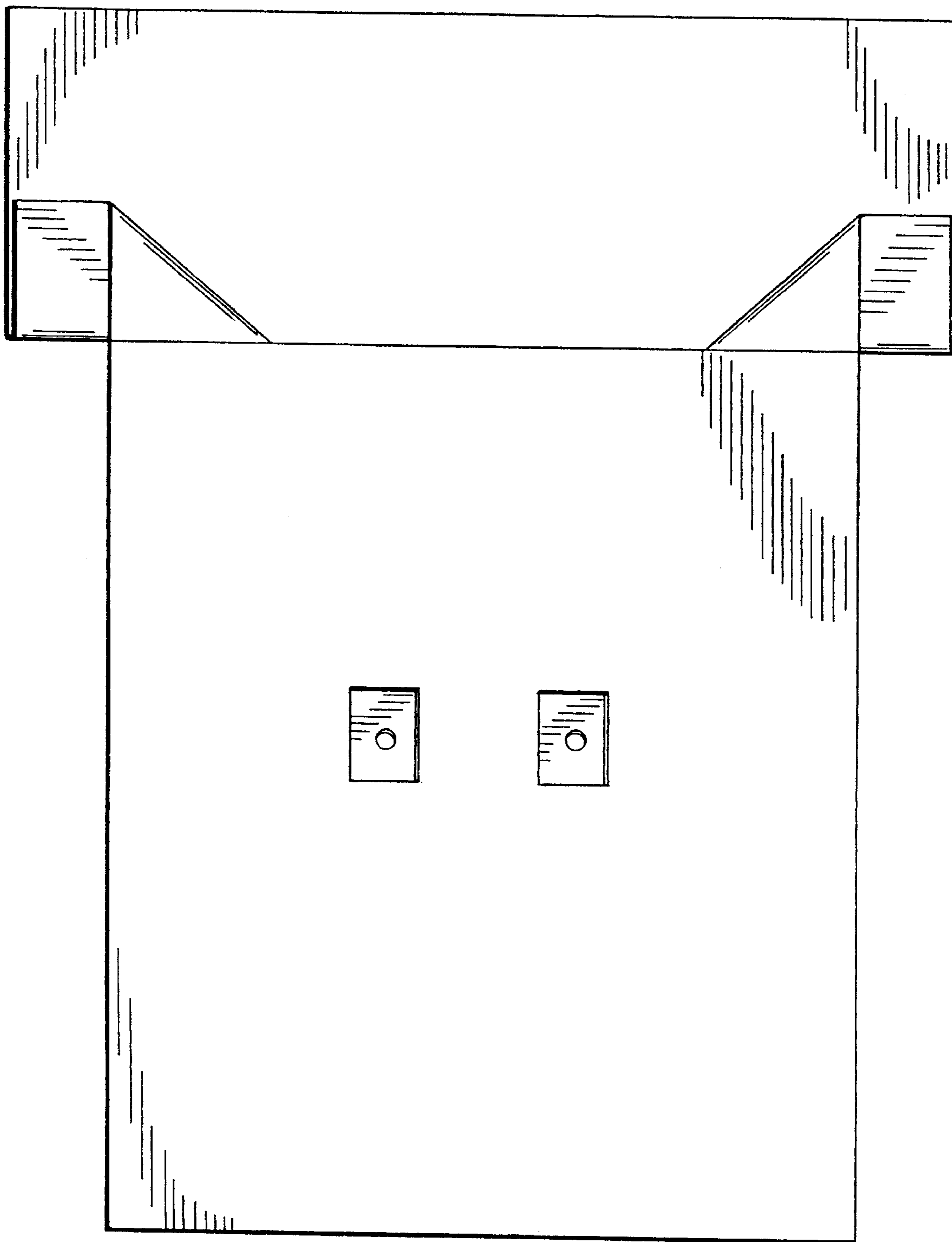


FIG. 2

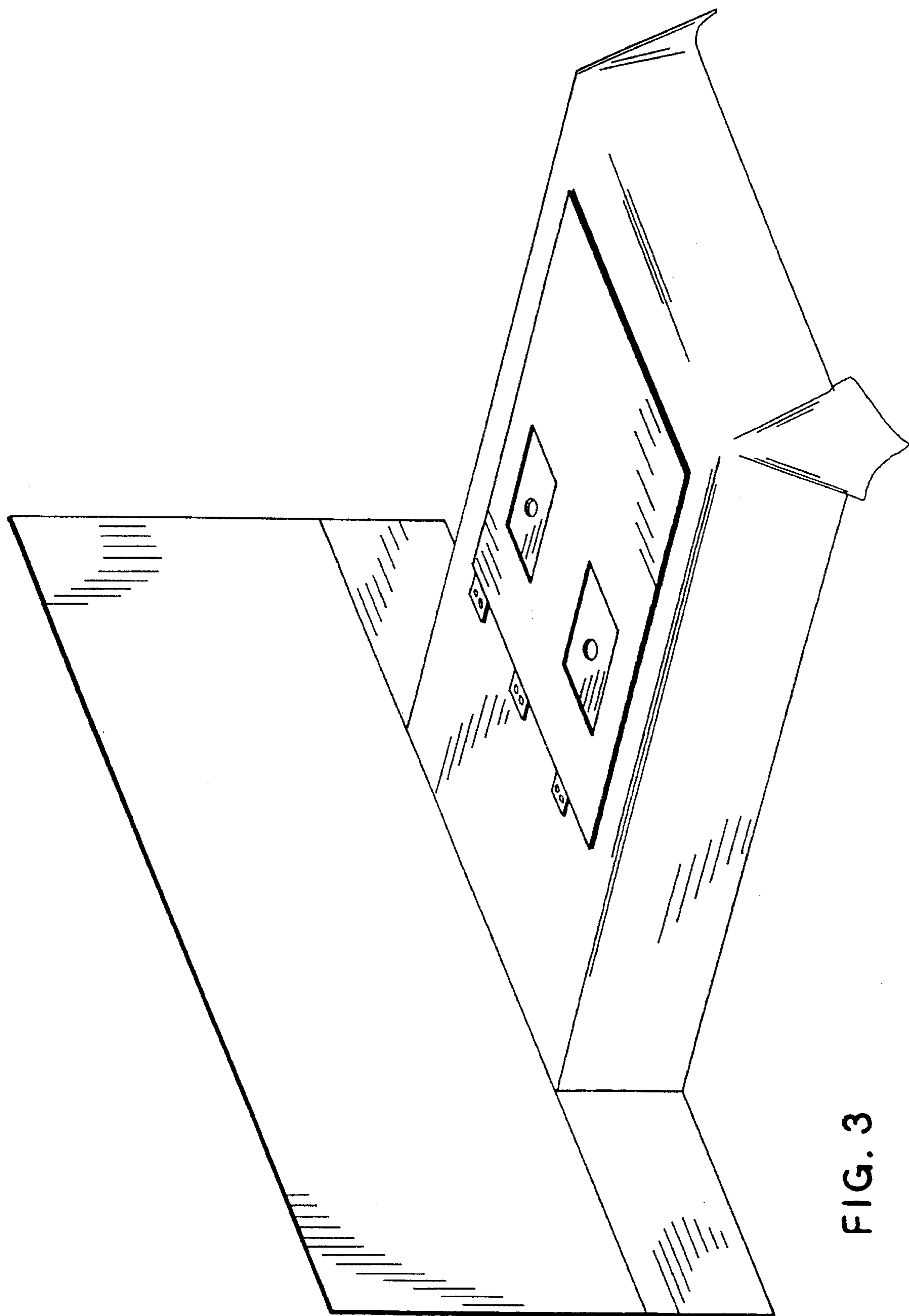


FIG. 3

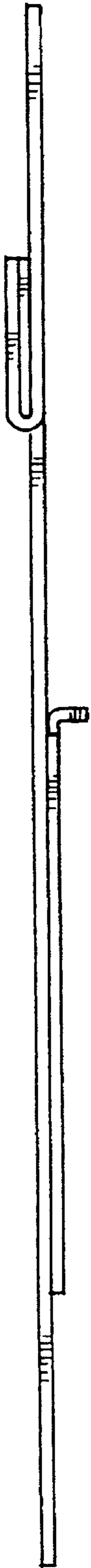


FIG. 4

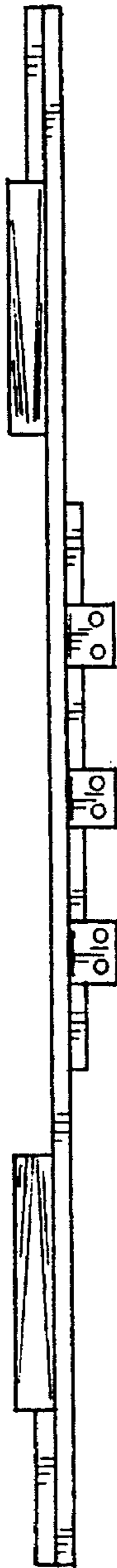


FIG. 5



FIG. 6