



US00D370820S

United States Patent [19] Kilbey

[11] Patent Number: **Des. 370,820**

[45] Date of Patent: ****Jun. 18, 1996**

[54] **BODY CUSHION**

FOREIGN PATENT DOCUMENTS

[75] Inventor: **Bryan Kilbey**, DeFuniak Springs, Fla.

2115584 5/1972 Germany 297/391

[73] Assignee: **Professional Products, Inc.**, DeFuniak Springs, Fla.

Primary Examiner—Lisa P. Lichtenstein
Attorney, Agent, or Firm—George A. Bode

[**] Term: **14 Years**

[57] CLAIM

[21] Appl. No.: **32,056**

The ornamental design for a body cushion, as shown and described.

[22] Filed: **Dec. 13, 1994**

DESCRIPTION

[52] U.S. Cl. **D6/601**; D6/596

FIG. 1 is a top plan view of a body cushion showing my new design;

[58] Field of Search D6/595, 596, 601;
D24/183; 128/845, 871; 5/632, 637, 636;
297/397, 393, 391

FIG. 2 is a front elevational view thereof;

FIG. 3 is a bottom plan view thereof;

FIG. 4 is a rear elevational view thereof;

FIG. 5 is a left side elevational view thereof, the right side being a mirror of that shown; and,

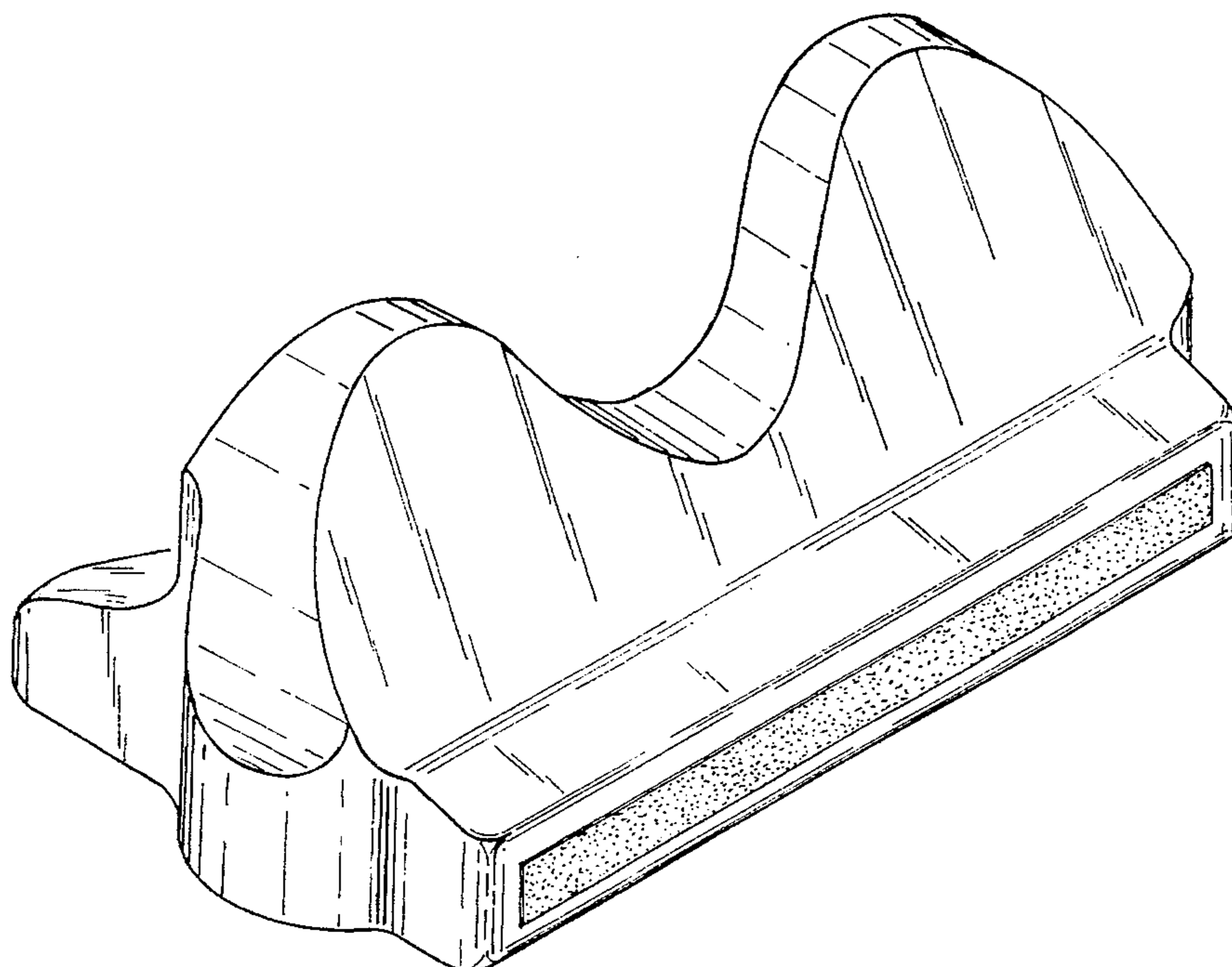
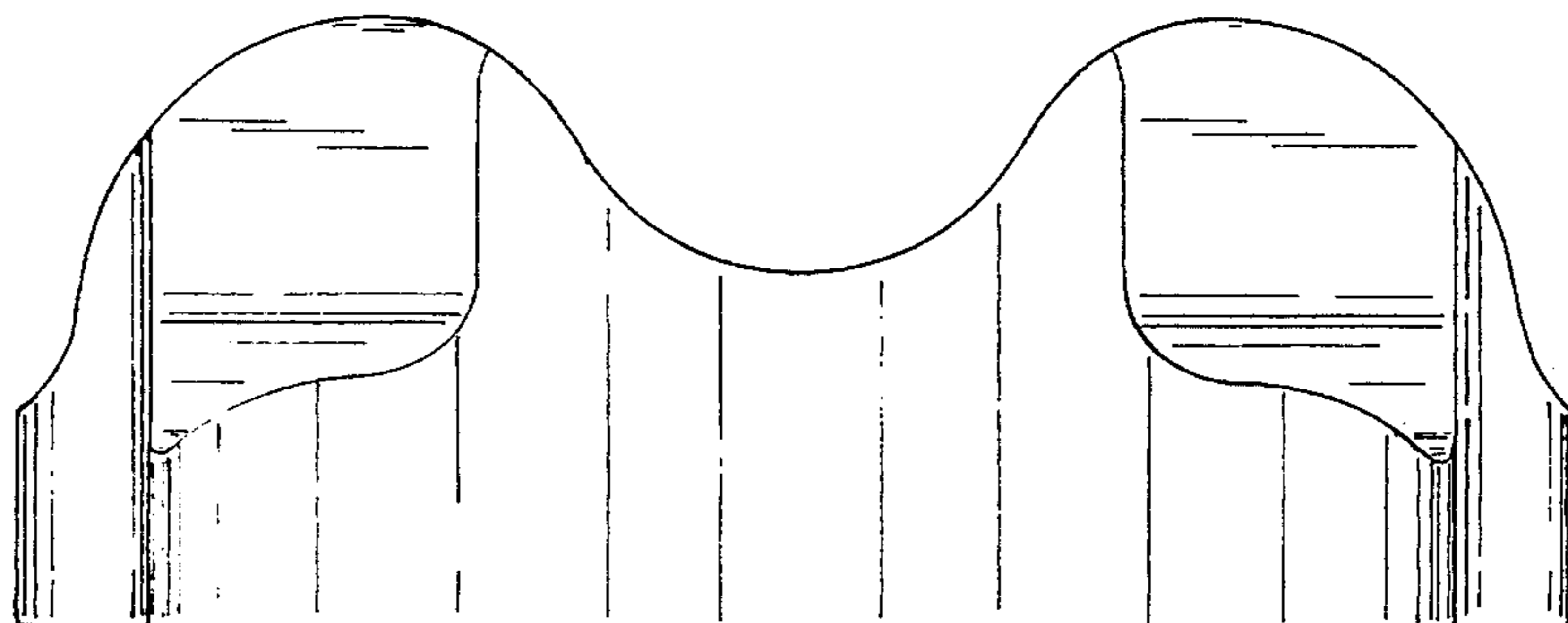
FIG. 6 is a top, front and left side perspective elevational view thereof.

[56] References Cited

U.S. PATENT DOCUMENTS

D. 314,685 2/1991 Hudson D6/601
5,390,682 2/1995 Iams 128/845

1 Claim, 3 Drawing Sheets



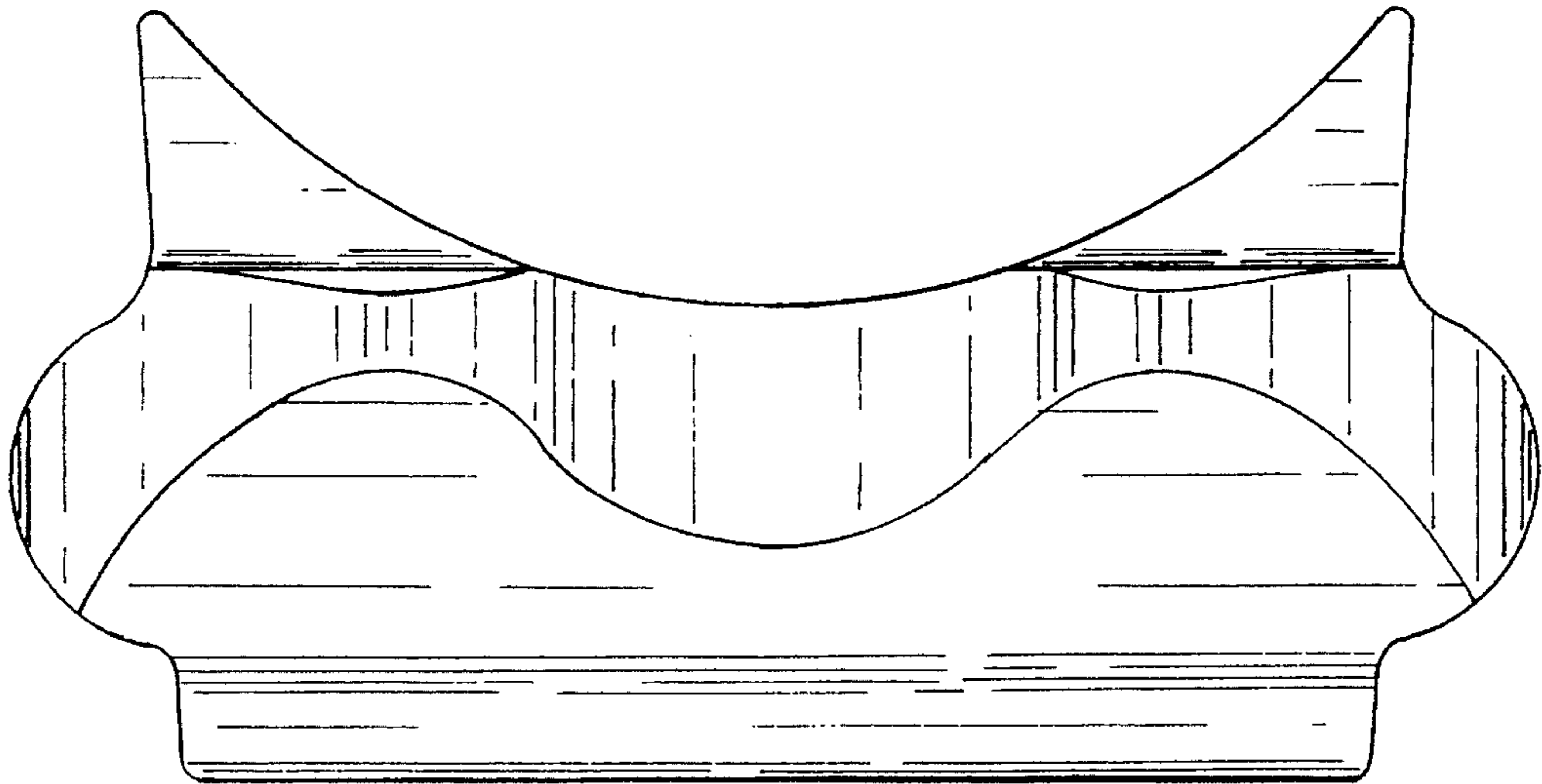


FIG. 1

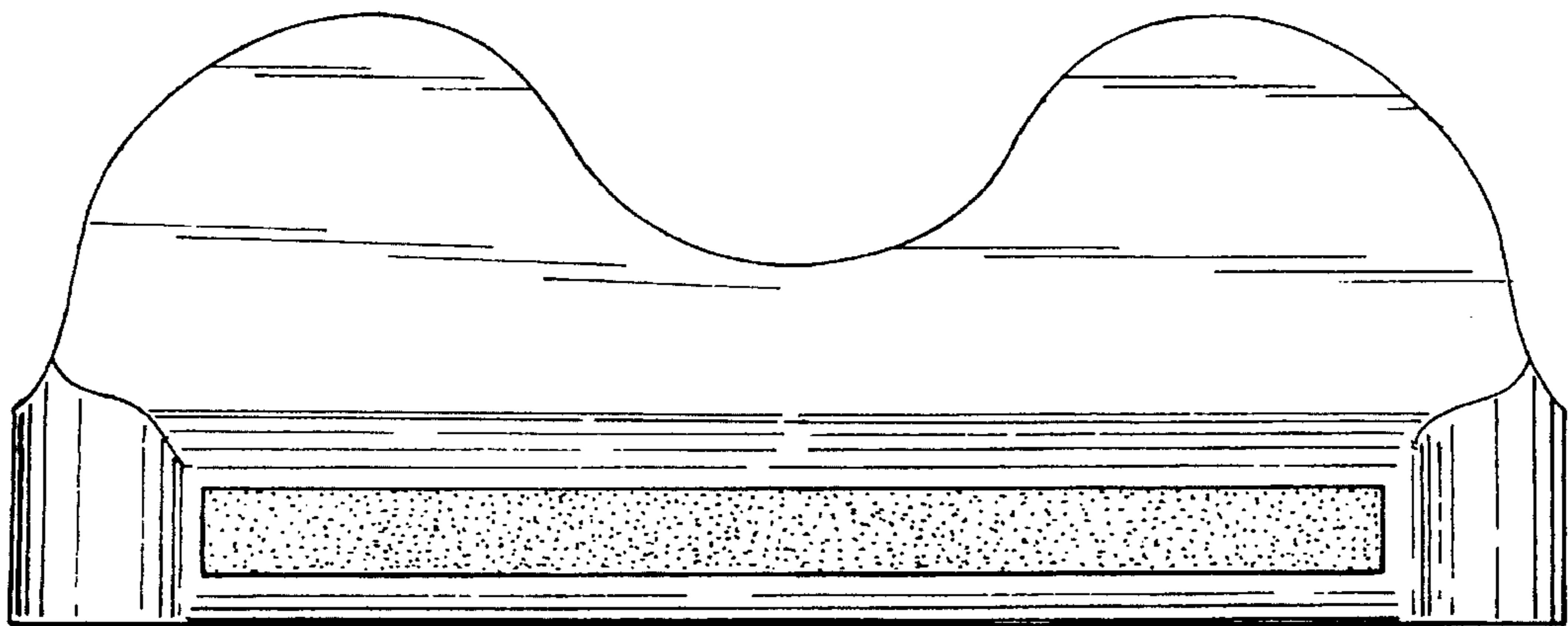


FIG. 2

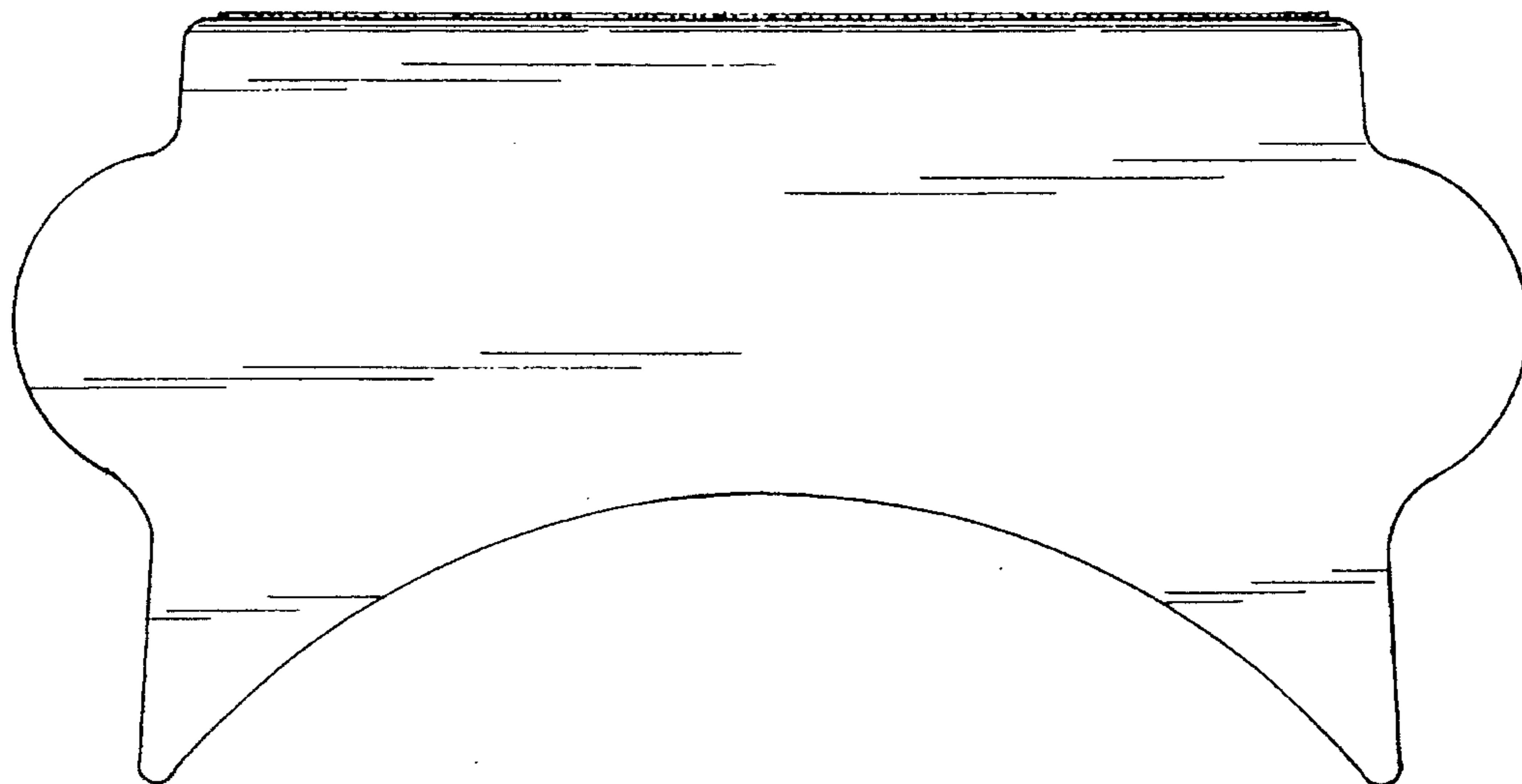


FIG. 3

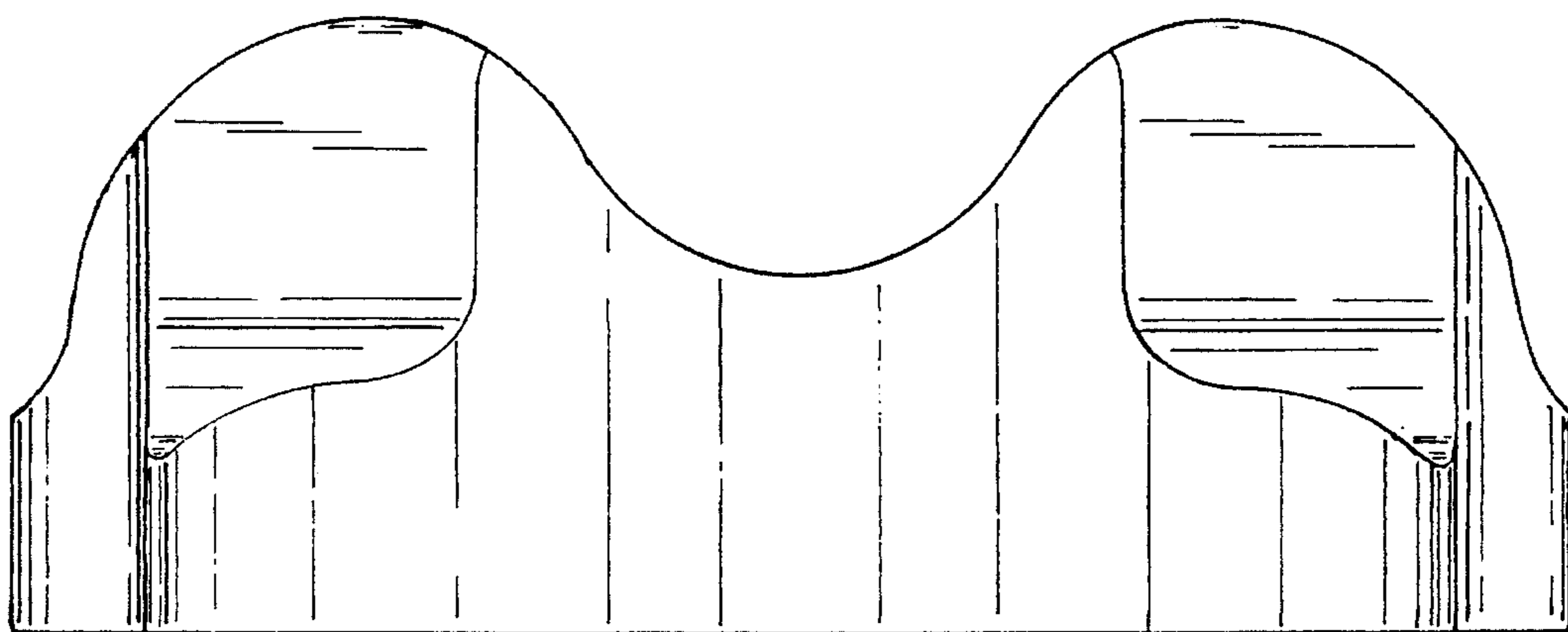


FIG. 4

FIG. 6

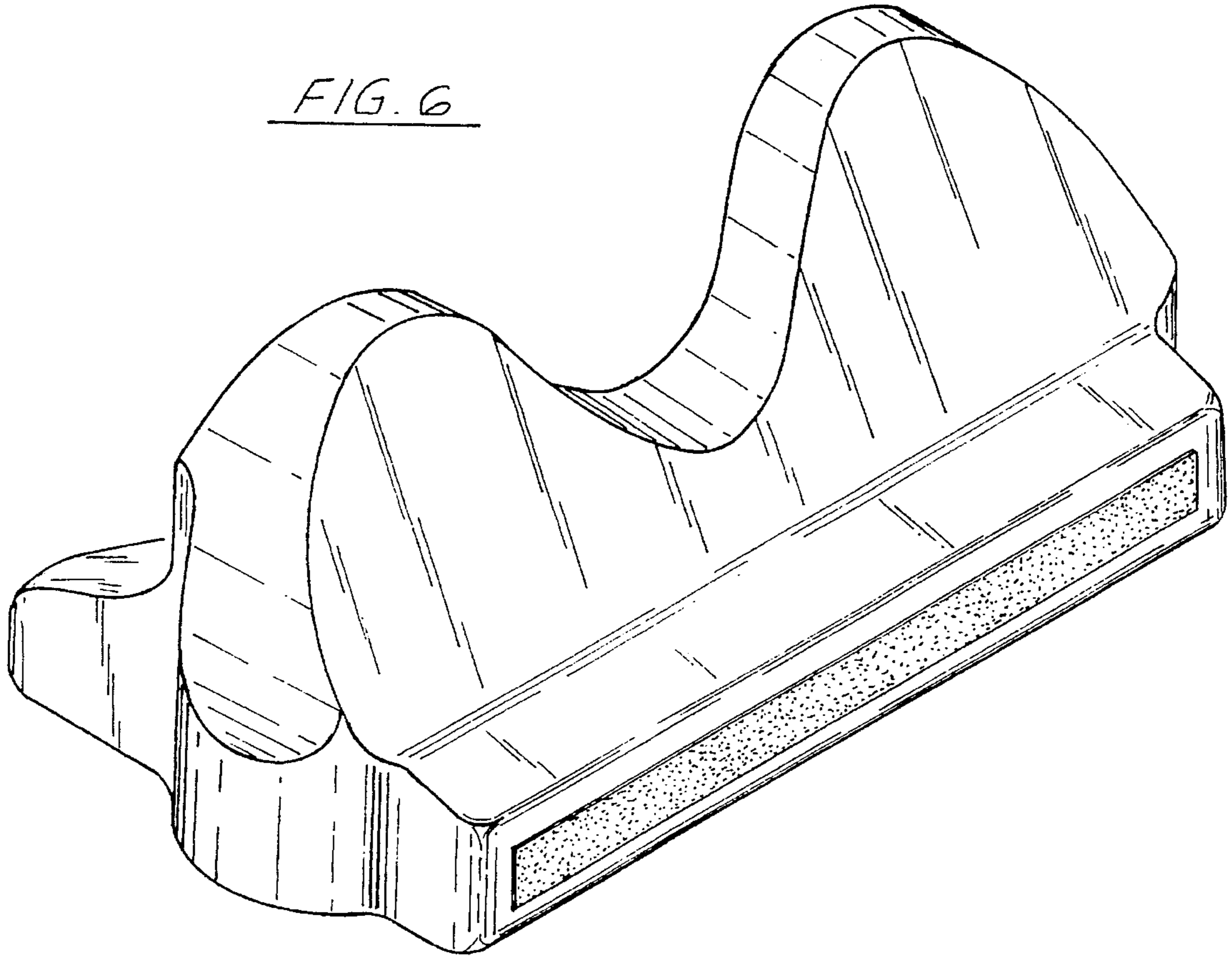


FIG. 5

