



US00D370814S

United States Patent [19]

[11] Patent Number: **Des. 370,814**

Daansen

[45] Date of Patent: ****Jun. 18, 1996**

[54] **TIP FOR A SOAP DISPENSER PUMP ATTACHABLE TO A DISPOSABLE LIQUID SOAP BAG CONTAINED IN A WALL-MOUNTED SOAP DISPENSER**

OTHER PUBLICATIONS

U.S. patent application Ser. No. 29/023579 by Warren S. Daansen.

[76] Inventor: **Warren S. Daansen**, P.O. Box 614, Nashua, N.H. 03061

Primary Examiner—Brian N. Vinson
Attorney, Agent, or Firm—Vernon C. Maine

[**] Term: **14 Years**

[57] CLAIM

[21] Appl. No.: **24,657**

The ornamental design for a tip for a soap dispenser pump attachable to a disposable liquid soap bag contained in a wall-mounted soap dispenser, as shown and described.

[22] Filed: **Jun. 20, 1994**

DESCRIPTION

[52] U.S. Cl. **D6/545**

[58] **Field of Search** D6/542-545; D9/435-36, D9/448, 499, 453-54, 439-42; 222/186-187, 189, 325, 460, 525, 541, 566-567, 570-571, 207

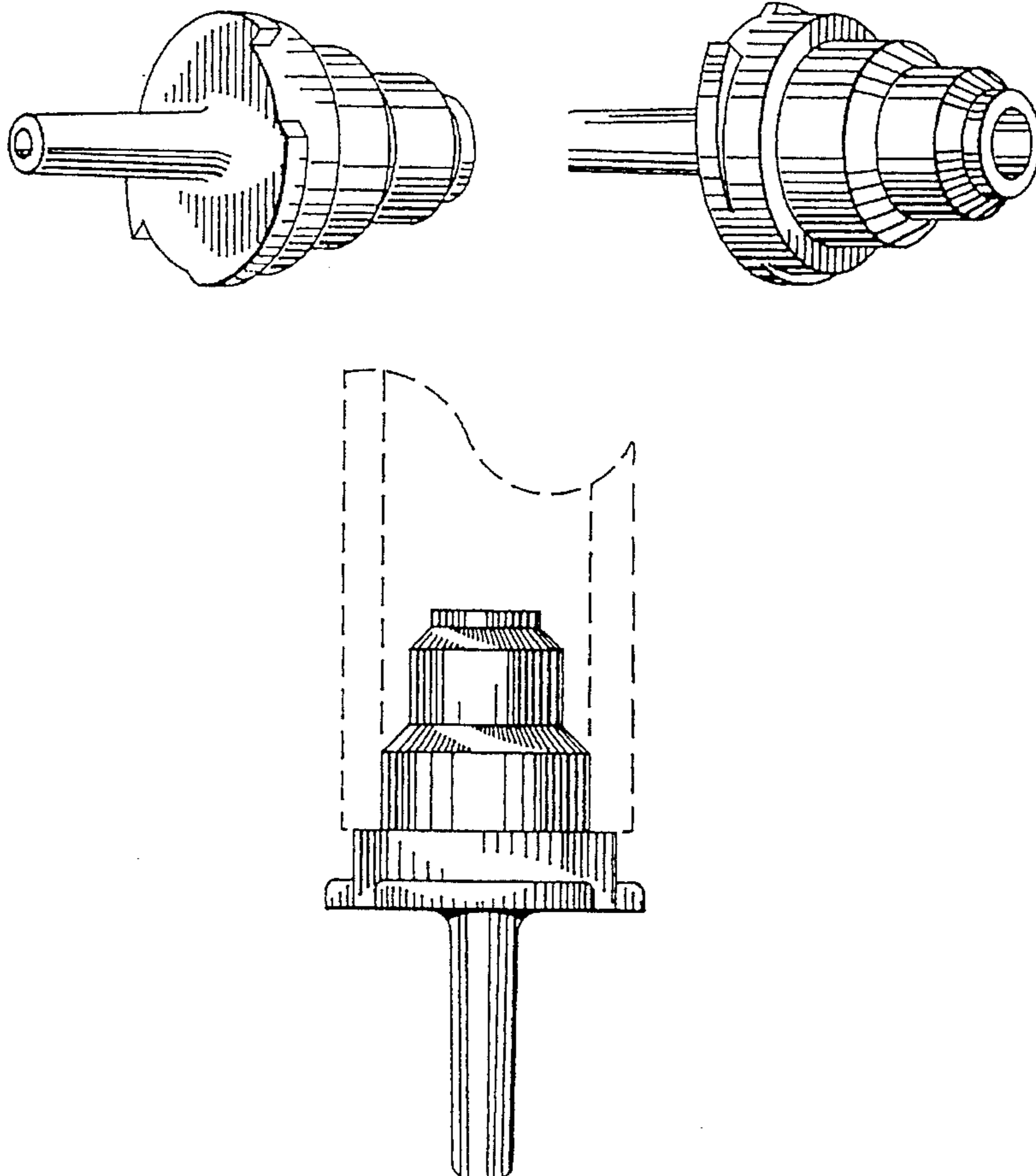
FIG. 1 is a front-side perspective view of the tip for a soap dispenser pump attachable to a disposable liquid soap bag contained in a wall-mounted soap dispenser; FIG. 2 is a rear-side perspective view thereof; FIG. 3 is a rear elevation thereof; FIG. 4 is a right side elevation thereof; FIG. 5 is a top side elevation thereof; FIG. 6 is a left side elevation thereof; FIG. 7 is a front side elevation thereof; and, FIG. 8 is a bottom side elevation thereof, the broken line depiction of a pump hose being for illustrative purposes only and forming no part of the claimed design.

[56] References Cited

U.S. PATENT DOCUMENTS

D. 180,573	7/1957	Beall, Jr.	D9/447
D. 230,959	3/1974	Sambanidis	D9/442
D. 264,941	6/1982	Stock	D9/447
D. 280,167	8/1985	Keck	D6/545
D. 313,137	12/1990	Hanna et al.	D6/545
D. 326,581	6/1992	Hanna et al.	D6/545

1 Claim, 1 Drawing Sheet



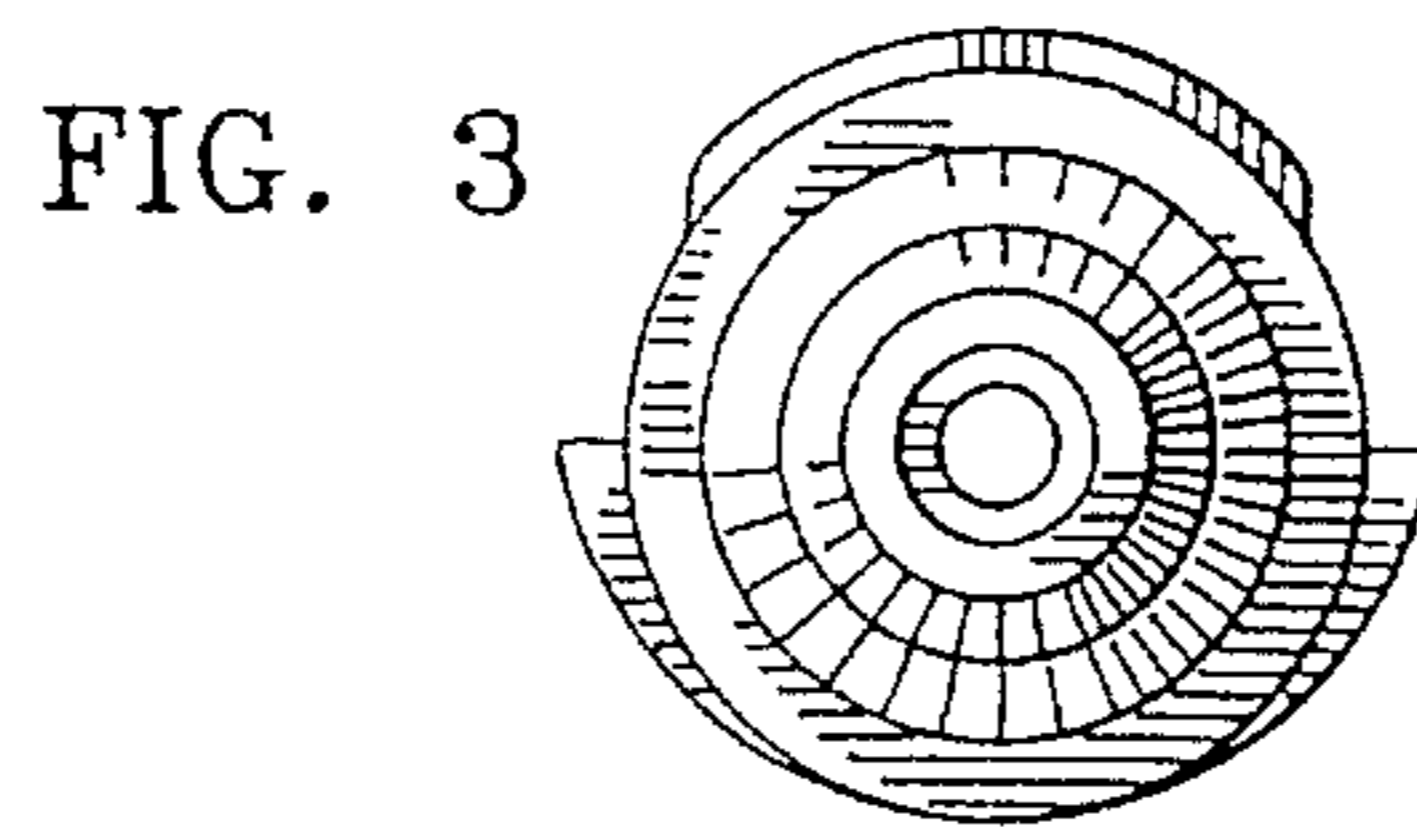
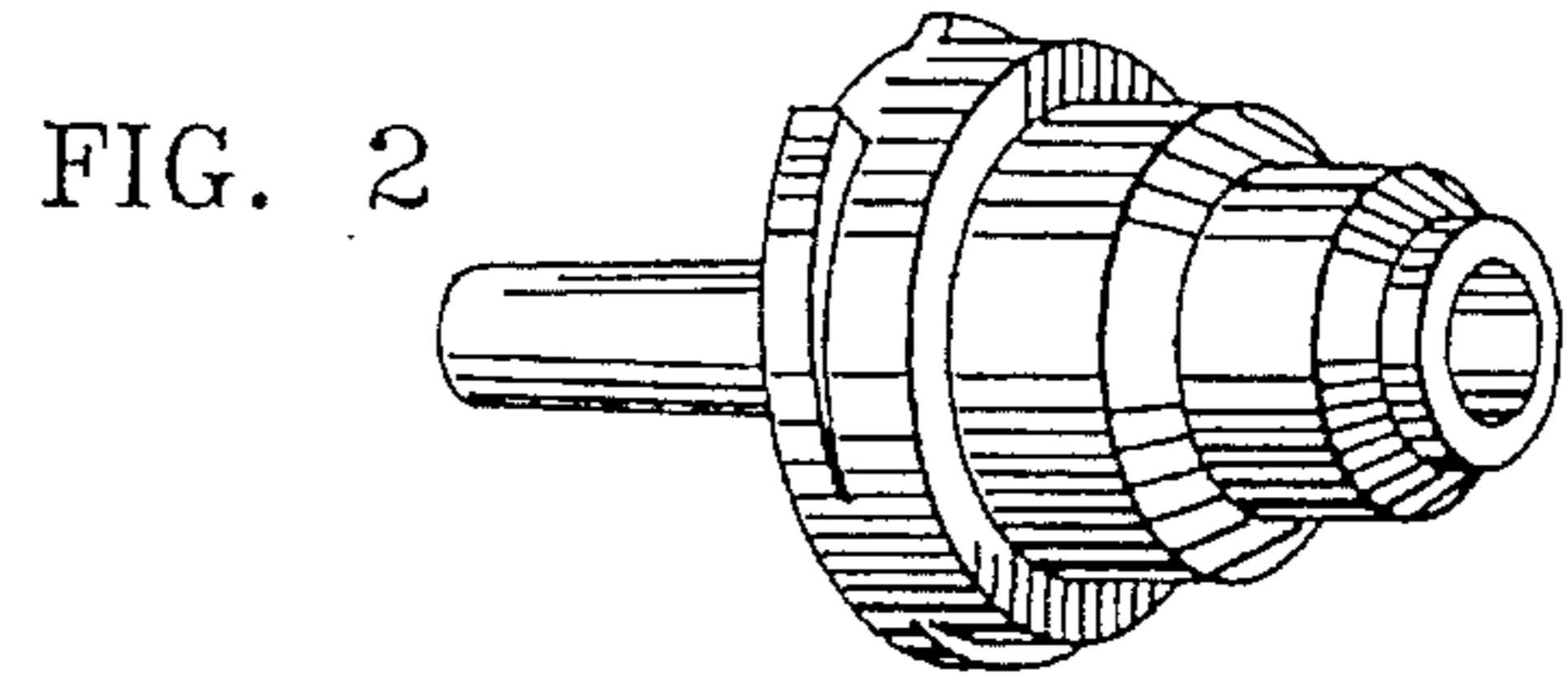
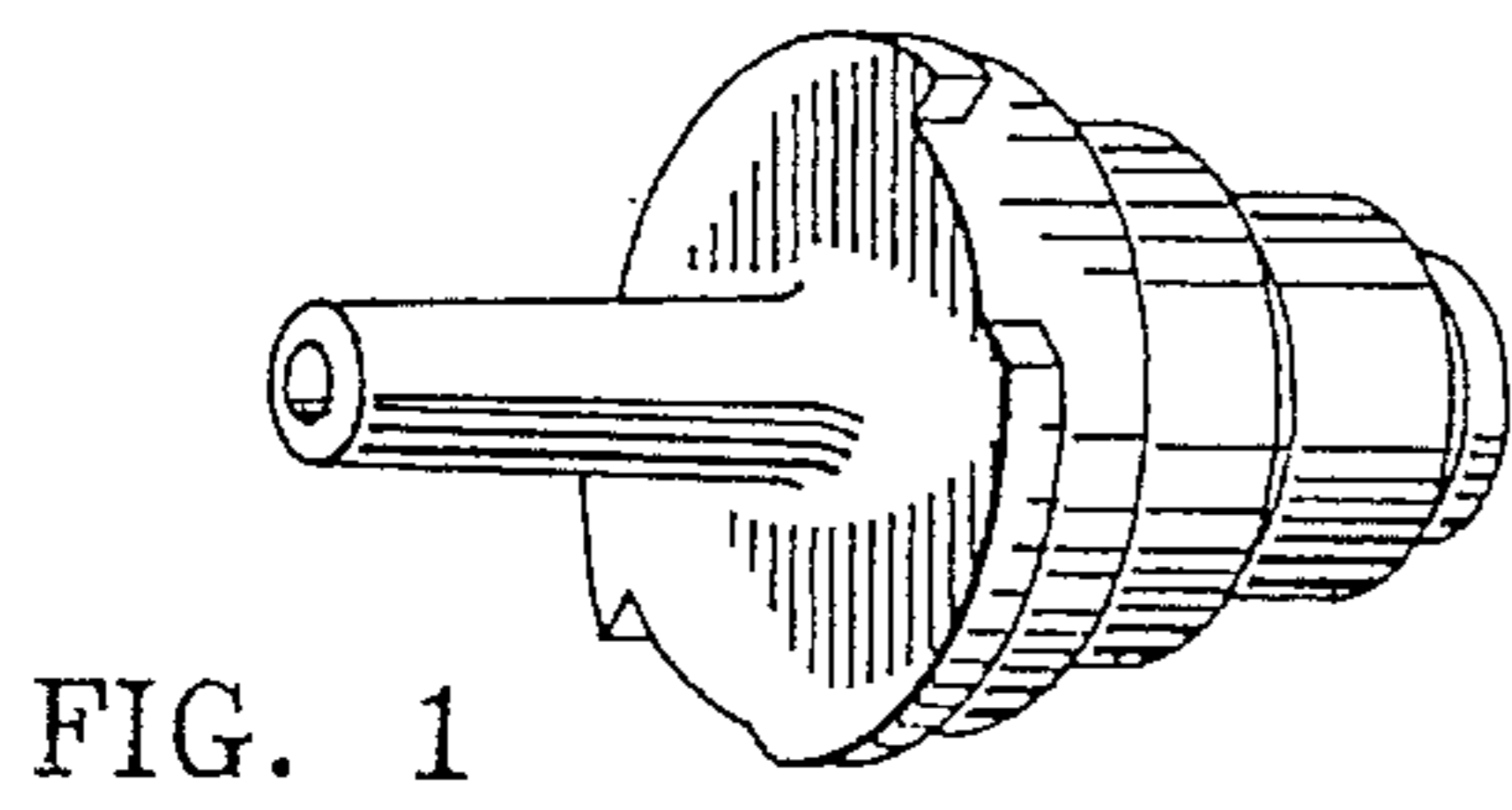


FIG. 4

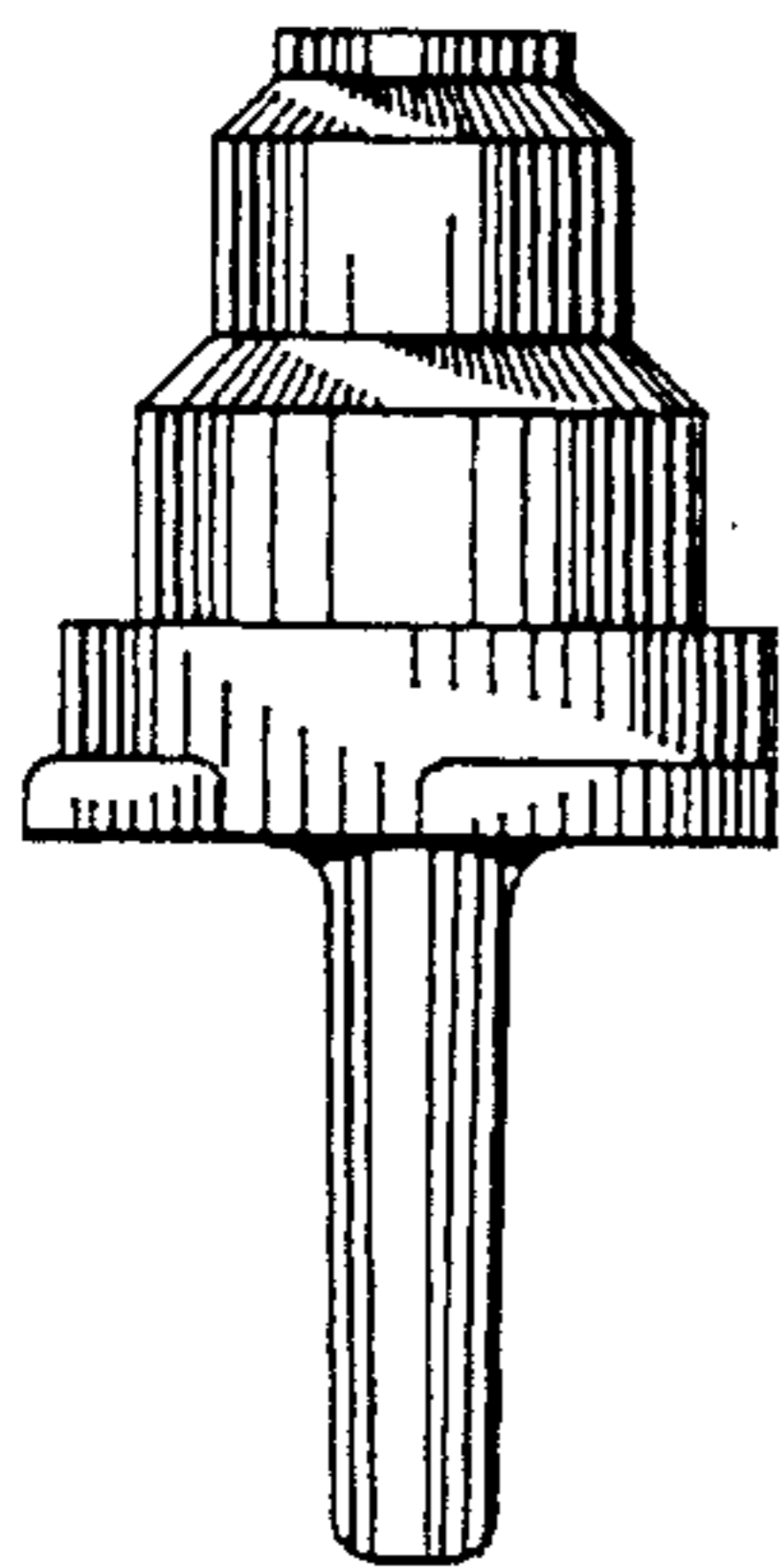


FIG. 5

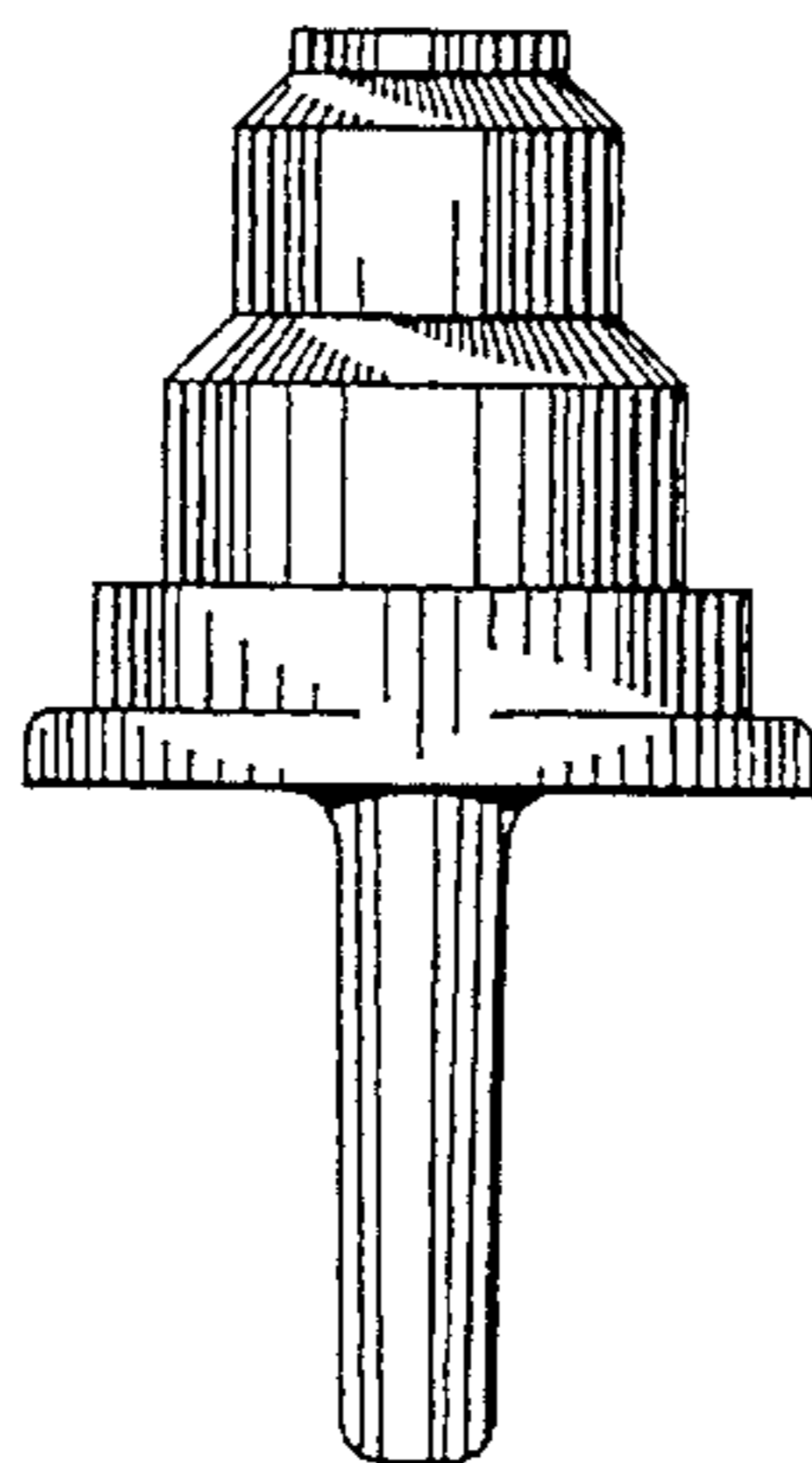


FIG. 6

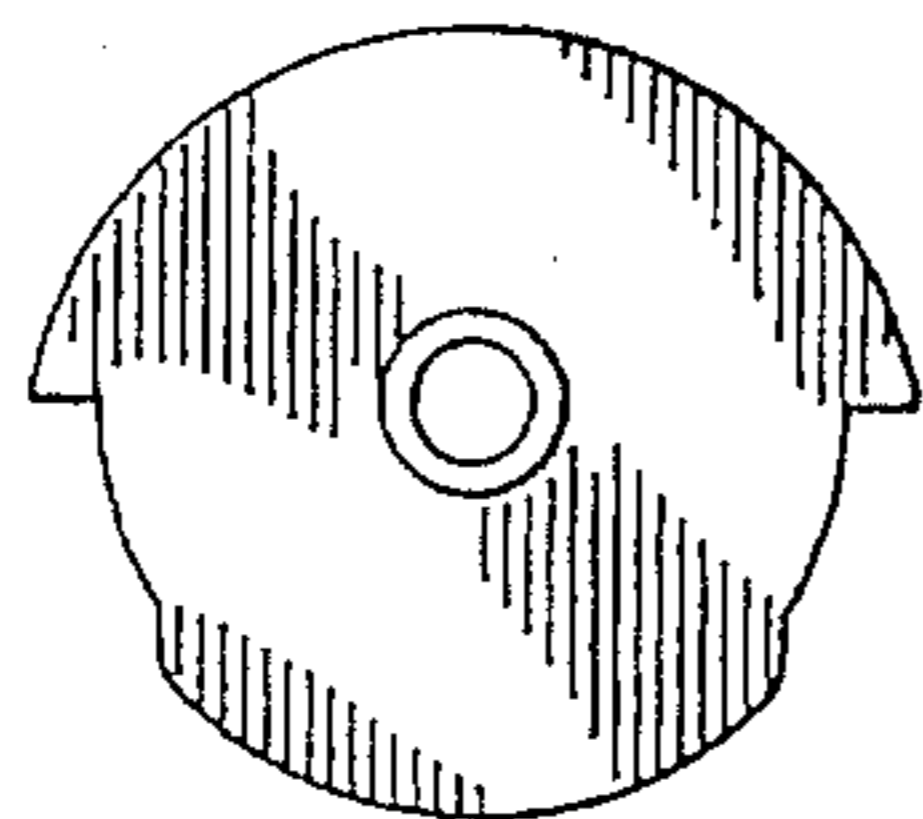
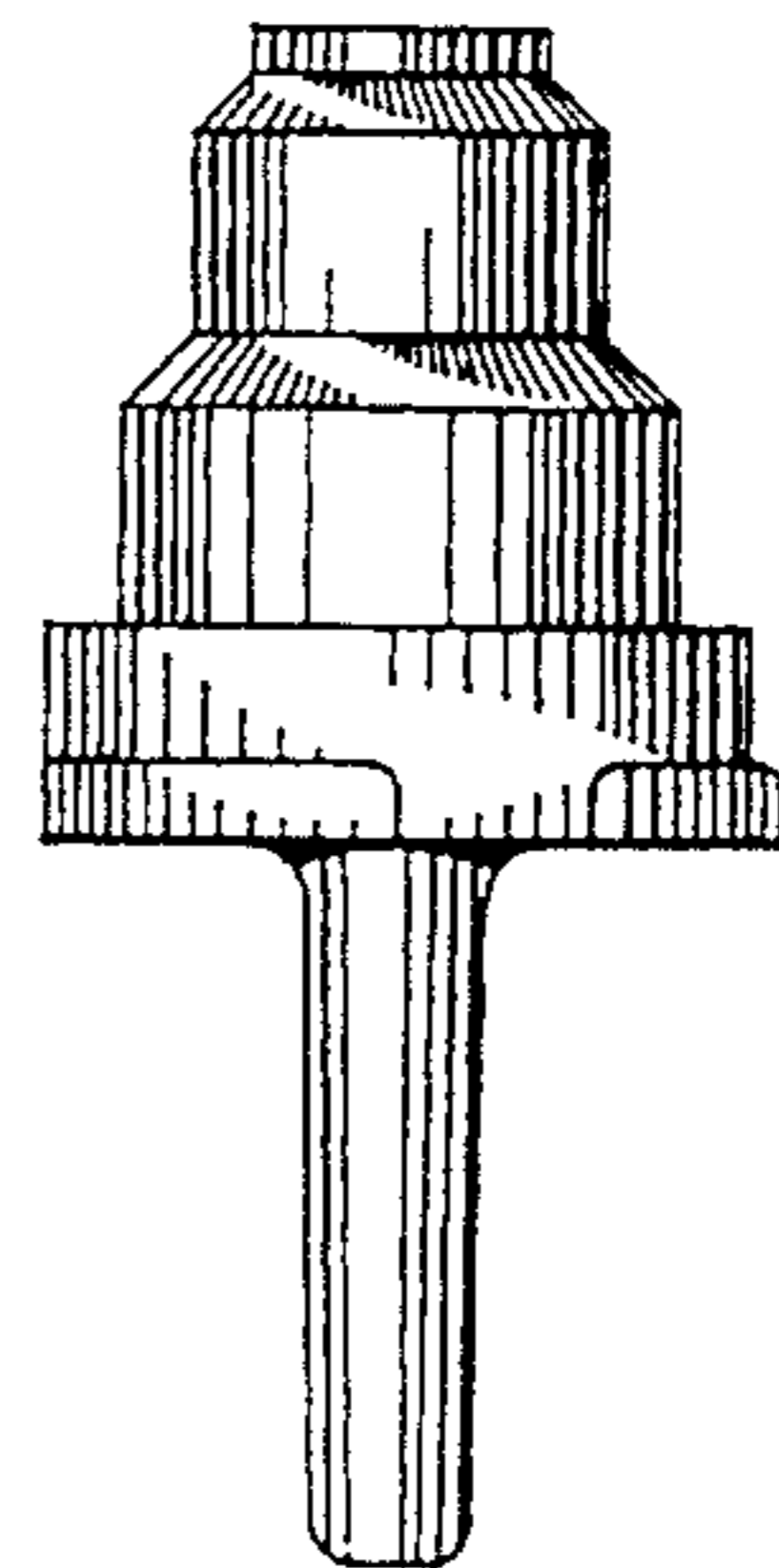


FIG. 7

FIG. 8

