



US00D370813S

United States Patent [19]

[11] Patent Number: **Des. 370,813**

Daansen

[45] Date of Patent: ****Jun. 18, 1996**

[54] **TIP FOR SOAP DISPENSER PUMP ATTACHABLE TO A DISPOSABLE LIQUID SOAP BAG CONTAINED IN A WALL-MOUNTED SOAP DISPENSER**

D. 313,137 12/1990 Hanna et al. D6/545
D. 326,581 6/1992 Hanna et al. D6/545

Primary Examiner—Brian N. Vinson
Attorney, Agent, or Firm—Vernon C. Maine

[76] Inventor: **Warren S. Daansen**, 39 Orange St., Nashua, N.H. 03061

[57] **CLAIM**

[**] Term: **14 Years**

The ornamental design for a tip for a soap dispenser pump attachable to a disposable liquid soap bag contained in a wall-mounted soap dispenser, as shown and described.

[21] Appl. No.: **23,579**

DESCRIPTION

[22] Filed: **May 27, 1994**

[52] **U.S. Cl.** **D6/542**

[58] **Field of Search** D6/542-545; D9/435-36, D9/448, 499, 453-454, 439-42; 222/180-181, 189, 325, 460, 525, 541, 566-567, 570-571, 207

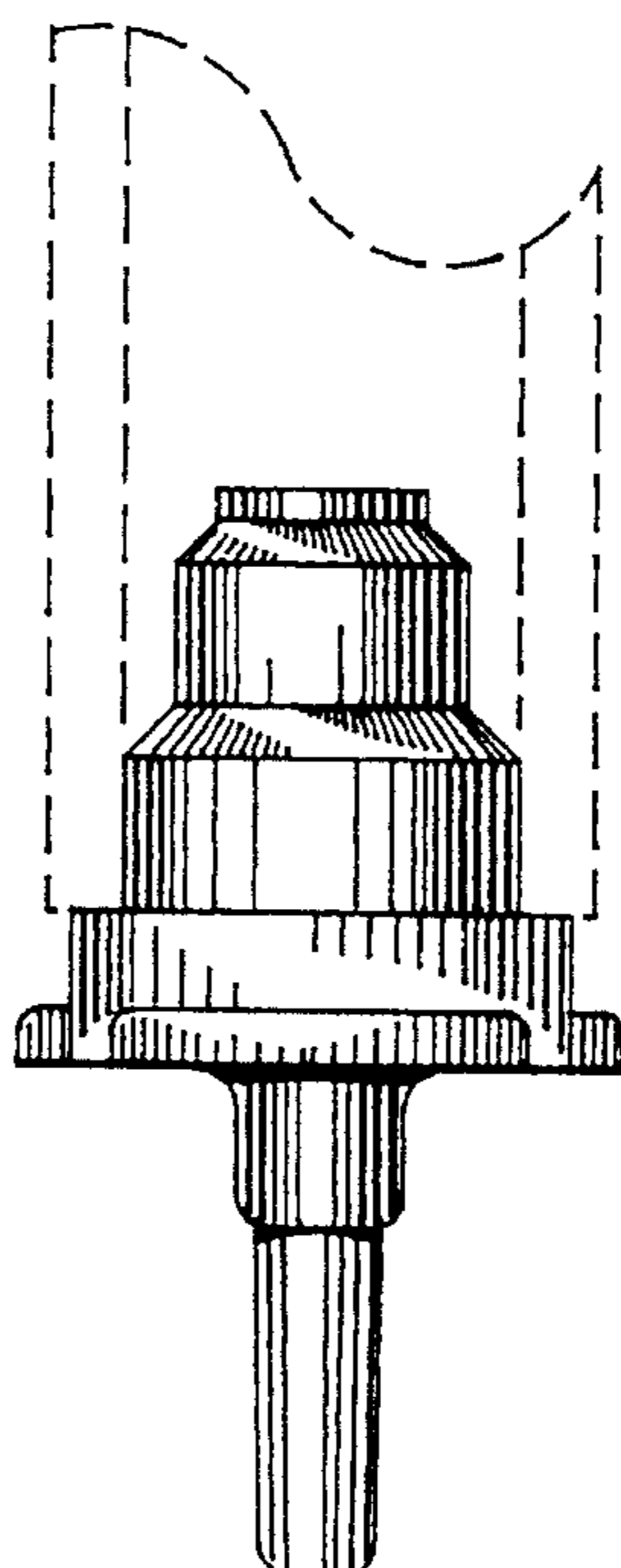
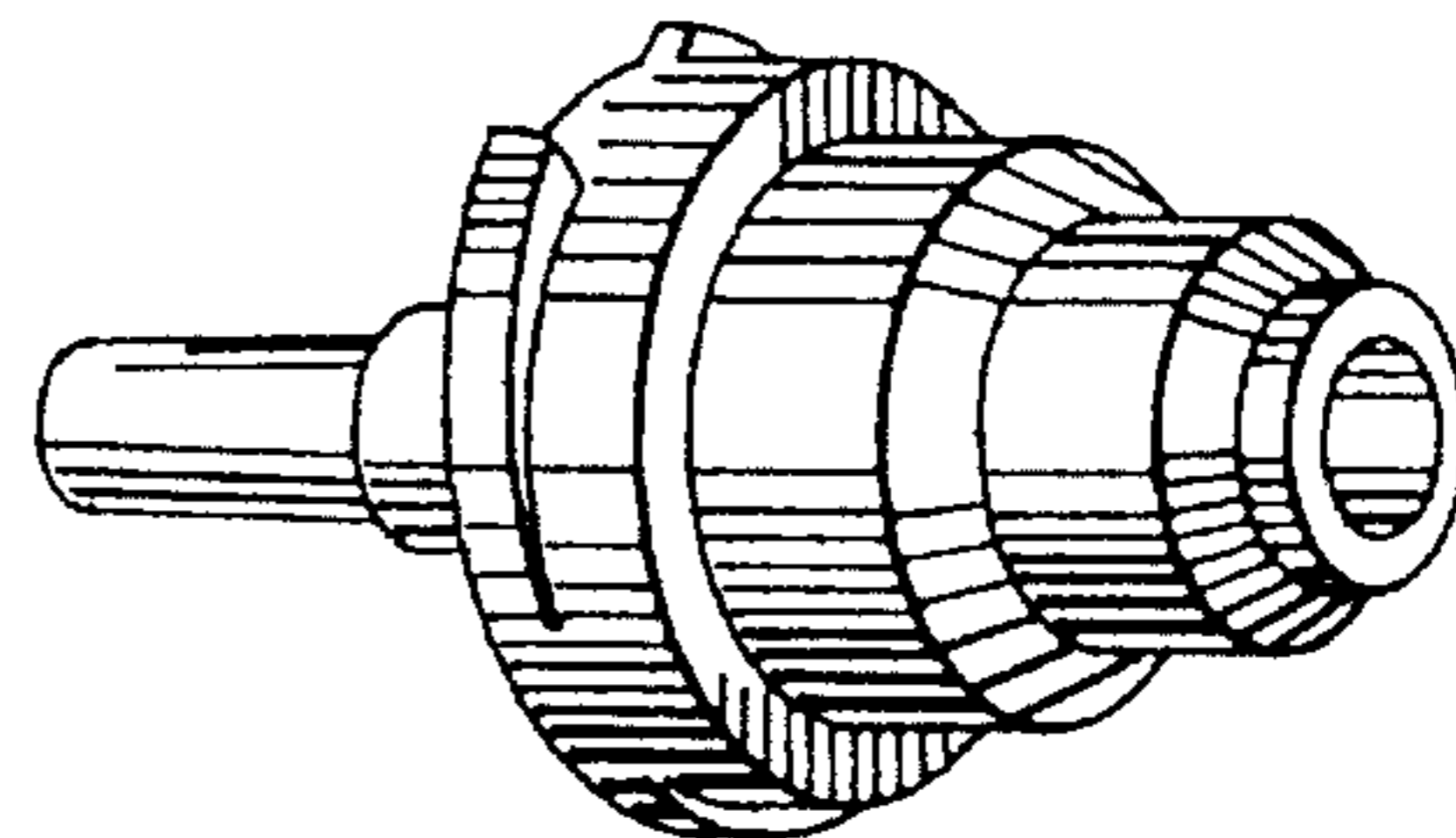
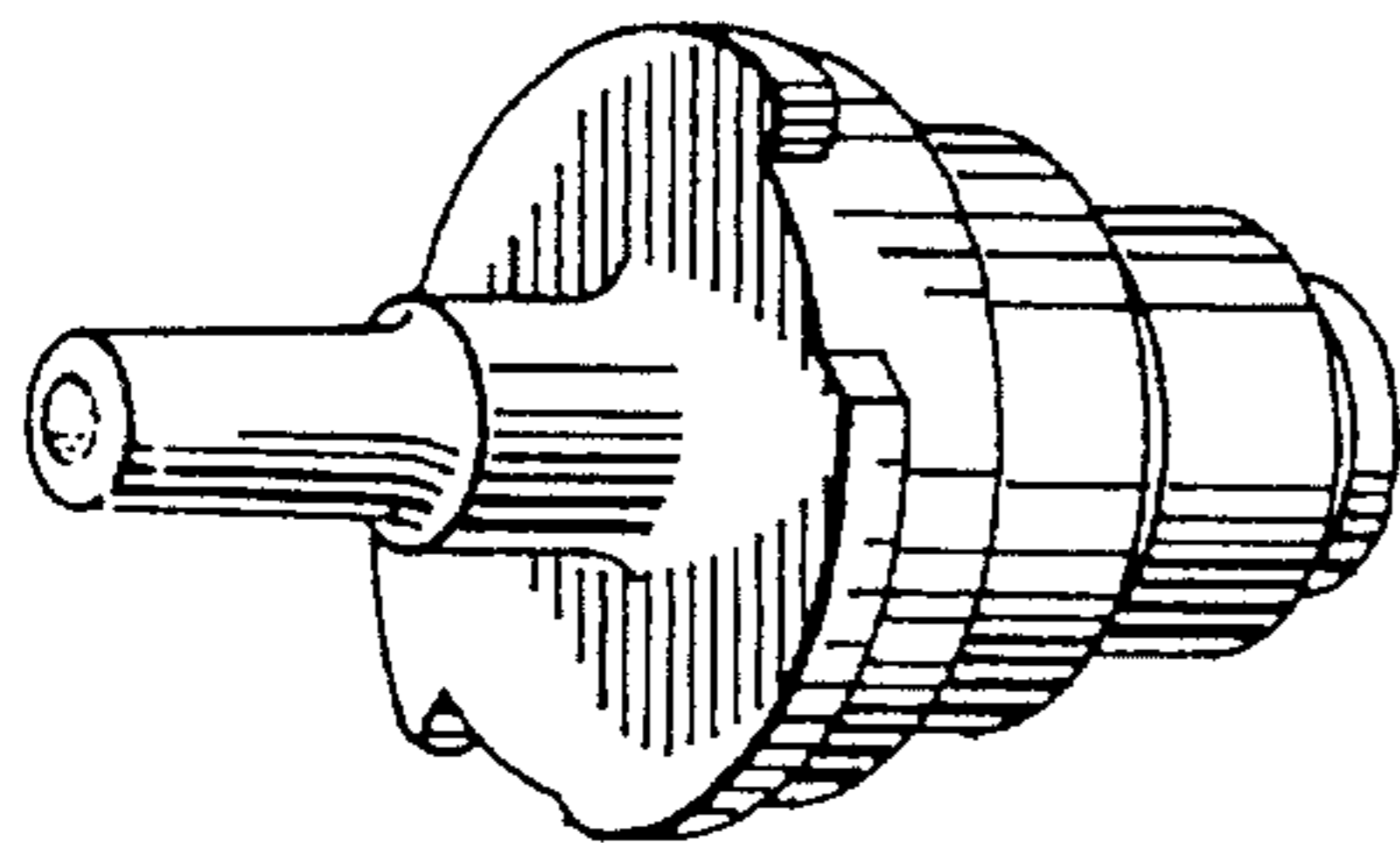
FIG. 1 is a front-side perspective view of the tip for a soap dispenser pump attachable to a disposable liquid soap bag contained in a wall-mounted soap dispenser; FIG. 2 is a rear-side perspective view thereof; FIG. 3 is a rear elevation thereof; FIG. 4 is a right side elevation thereof; FIG. 5 is a top side elevation thereof; FIG. 6 is a left side elevation thereof; FIG. 7 is a front side elevation thereof; and, FIG. 8 is a bottom side elevation thereof, the broken line depiction of a pump hose being for illustrative purposes only and forming no part of the claimed design.

[56] References Cited

U.S. PATENT DOCUMENTS

D. 180,573 7/1957 Bcall, Jr. D9/447
D. 230,959 3/1974 Sambanidis D9/442
D. 264,941 6/1982 Stock D9/447
D. 280,167 8/1985 Keck D6/545

1 Claim, 1 Drawing Sheet



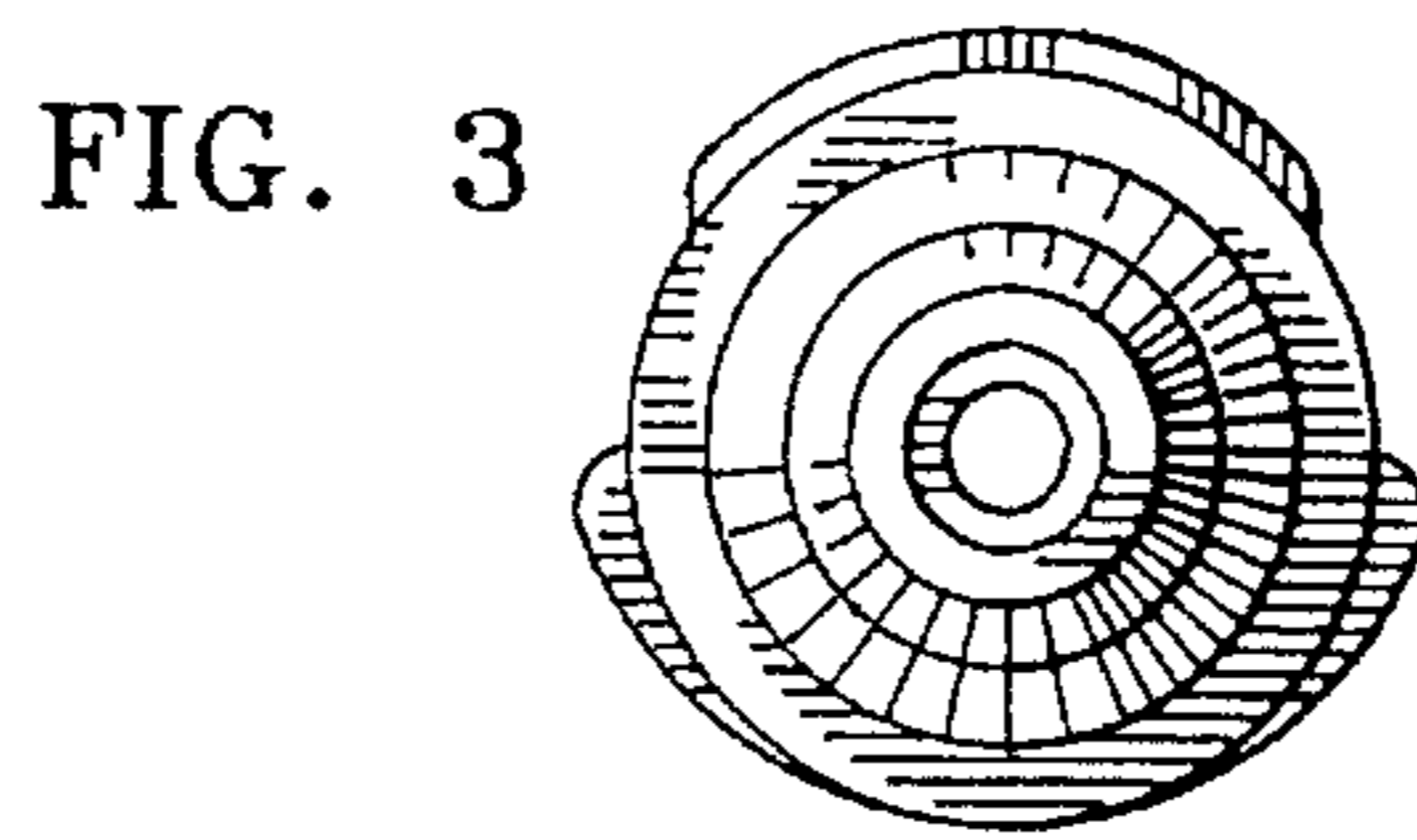
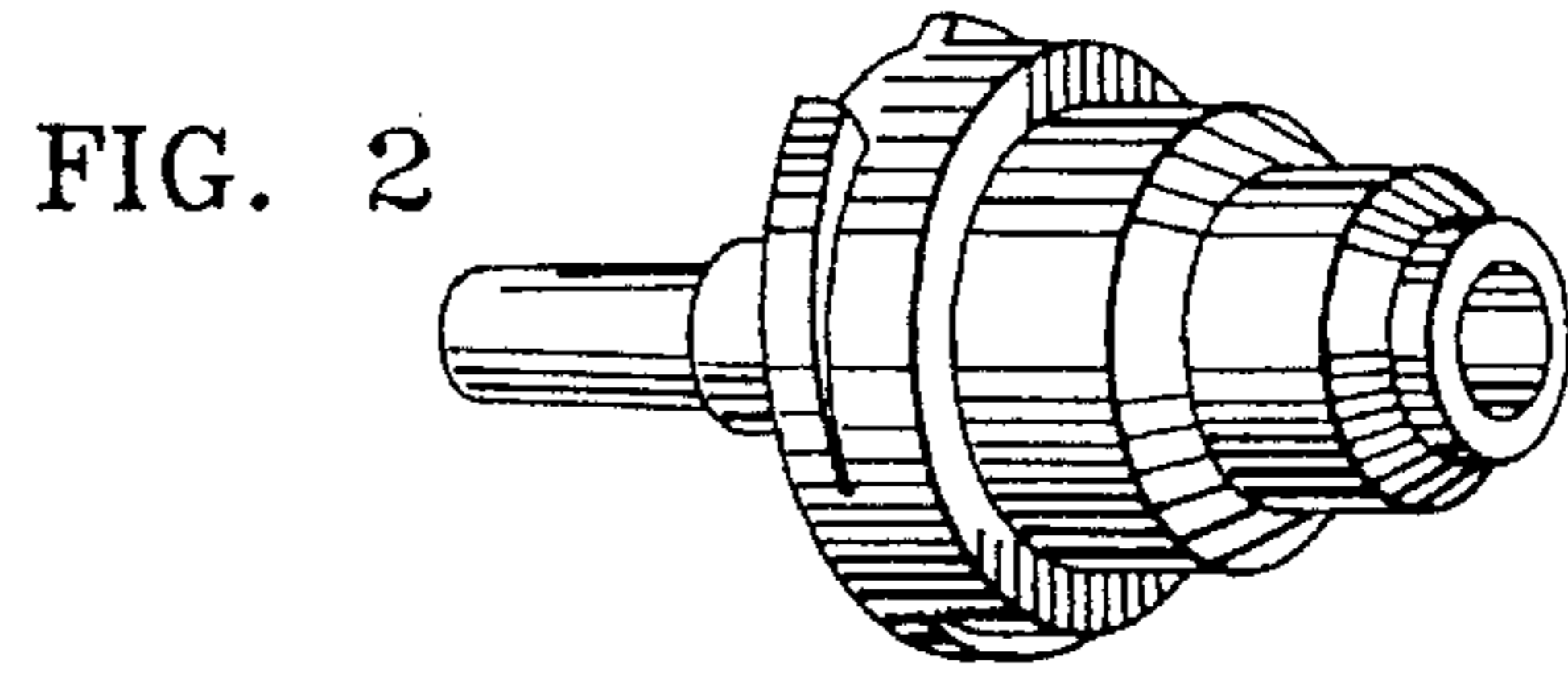
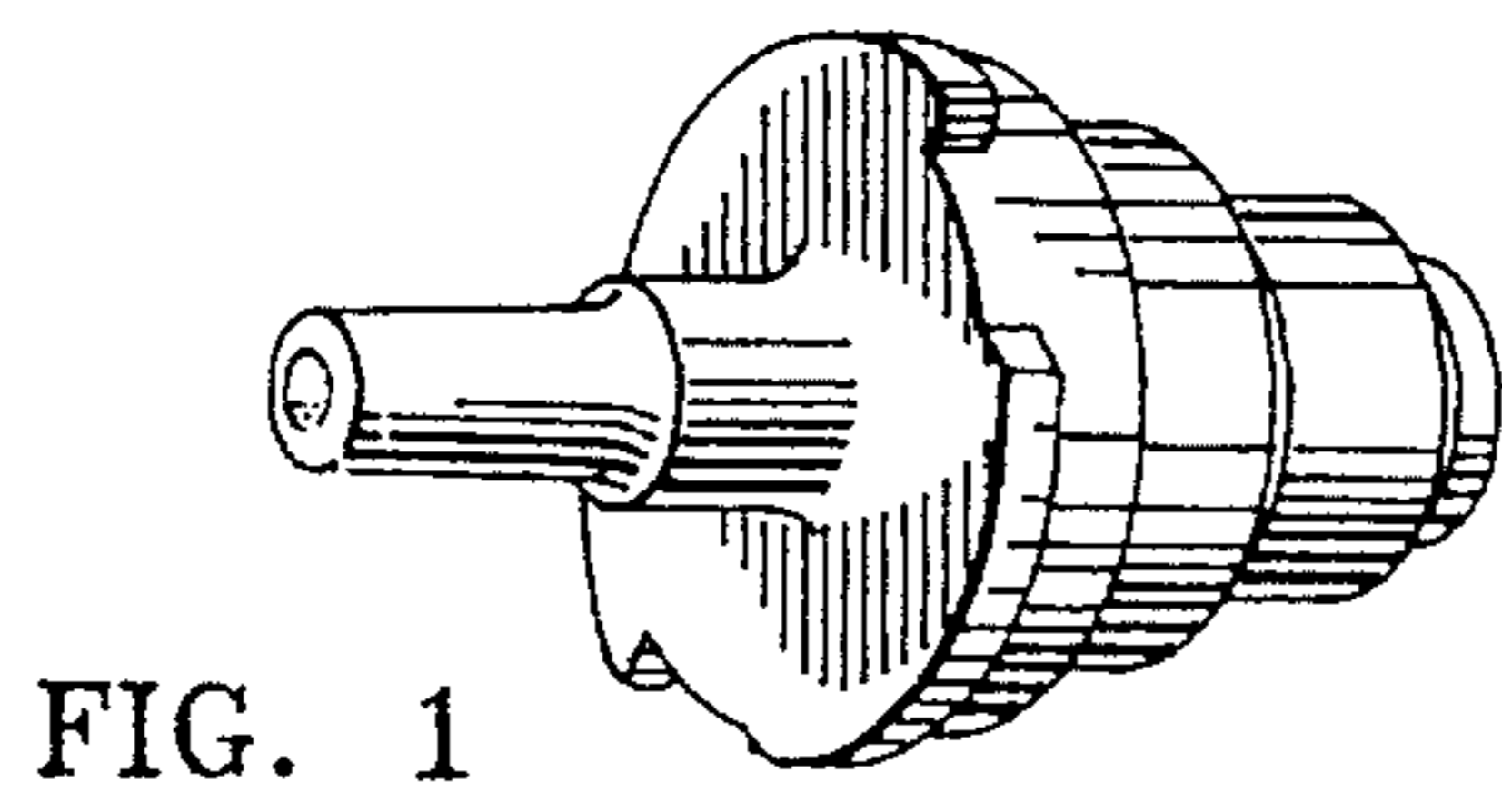


FIG. 4

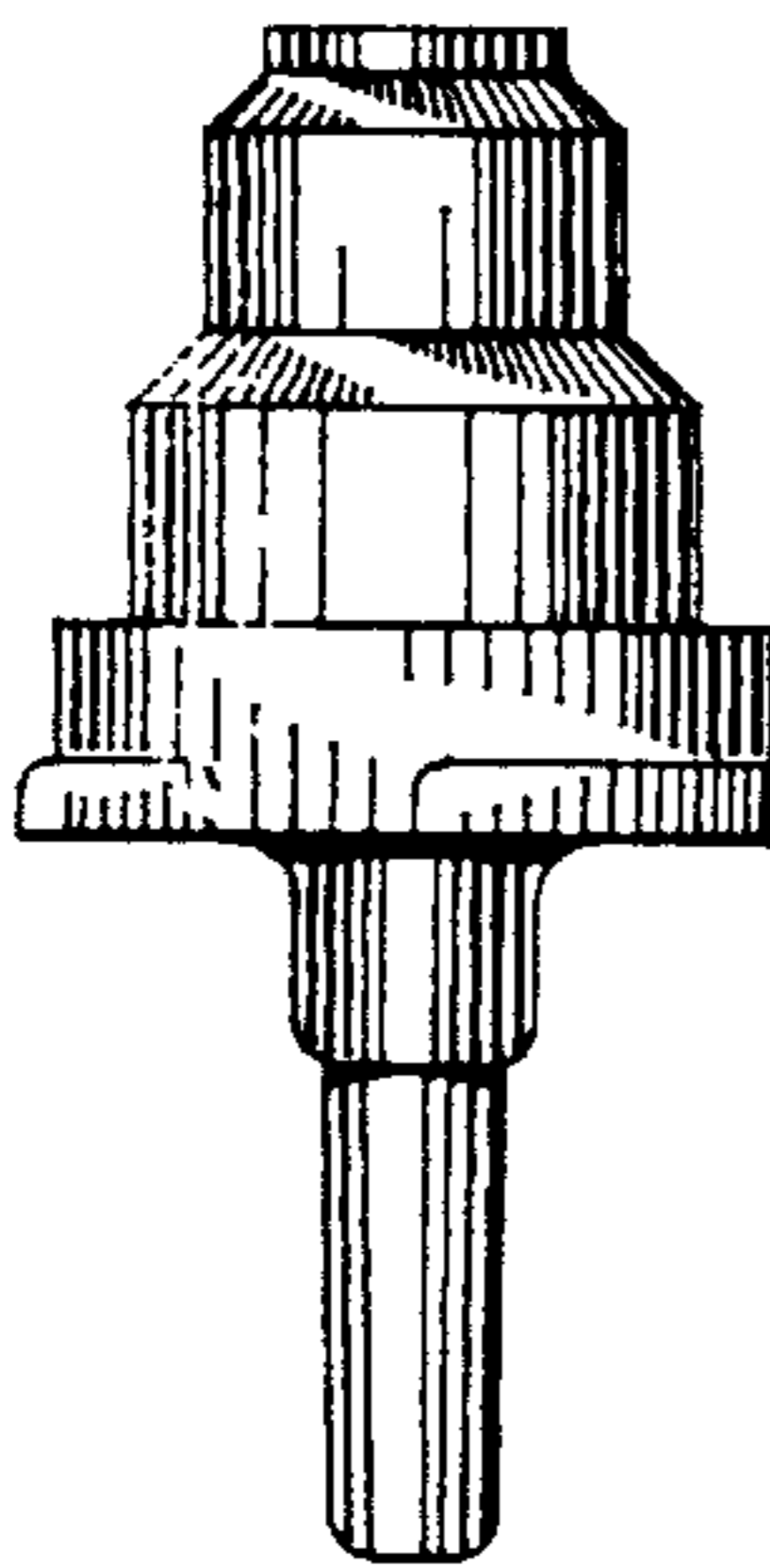


FIG. 5

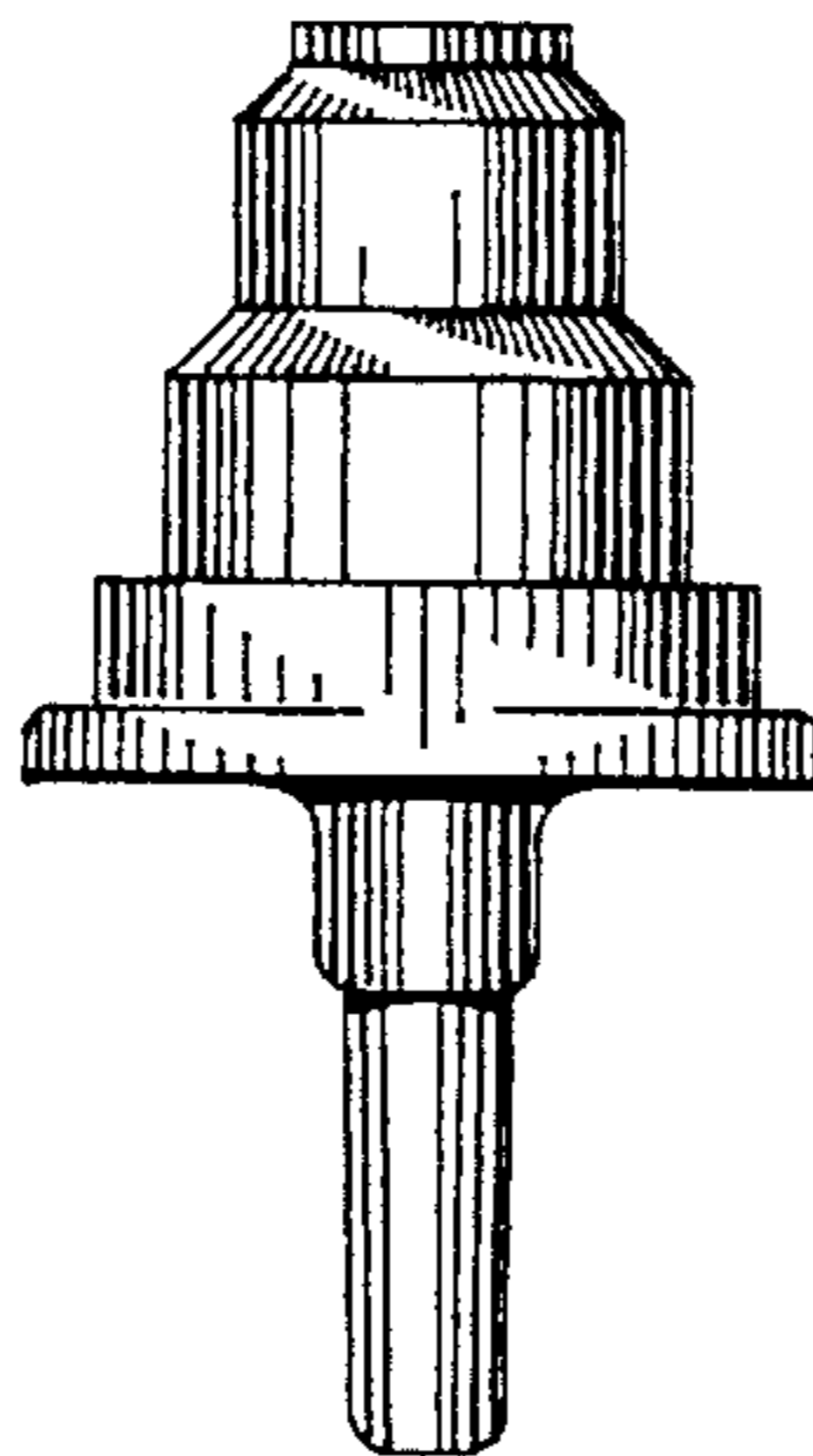


FIG. 6

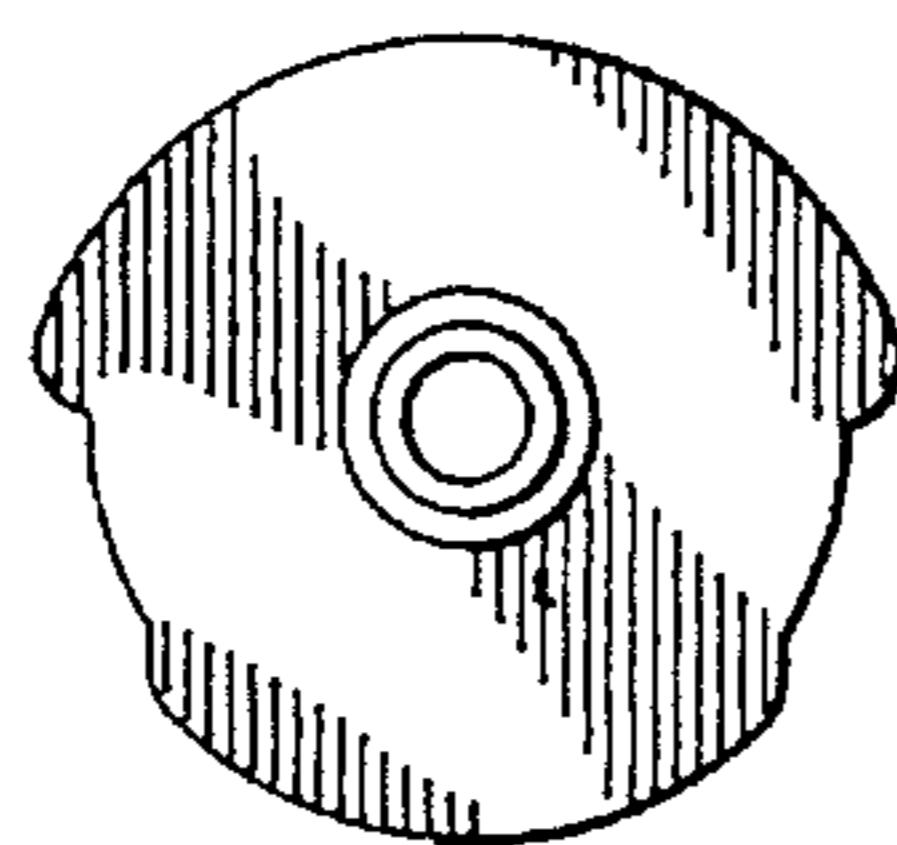
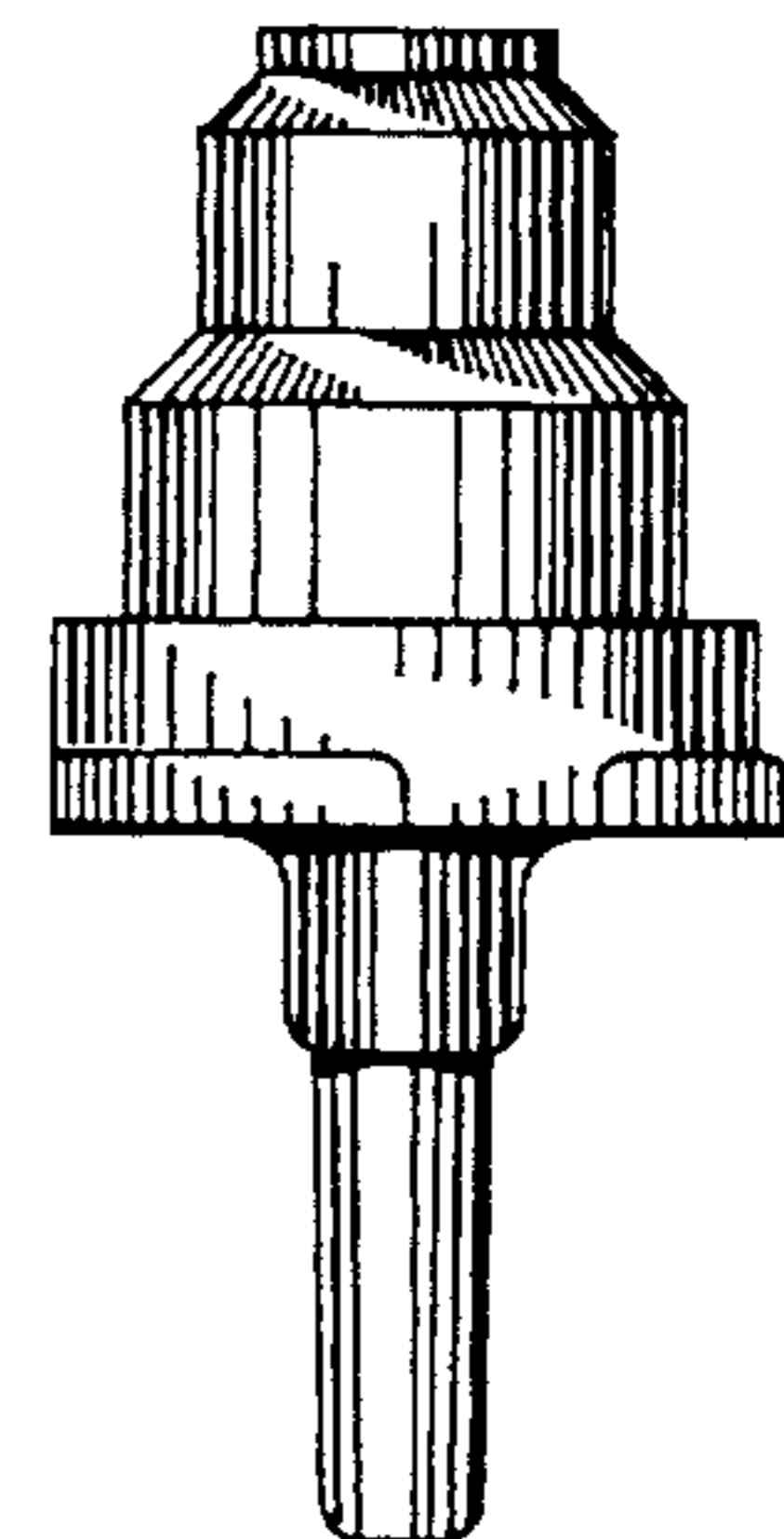


FIG. 7

FIG. 8

