



US00D370810S

# United States Patent [19] Munoz

[11] Patent Number: **Des. 370,810**

[45] Date of Patent: **\*\*Jun. 18, 1996**

[54] **ARCUATE SHOWER CADDY** 3,789,996 2/1974 Stroh ..... 211/181

[75] Inventor: **Raul Munoz**, Chicago, Ill.

*Primary Examiner*—Brian N. Vinson  
*Attorney, Agent, or Firm*—Dressler, Goldsmith, Shore & Milnamow, Ltd.

[73] Assignee: **Selfix, Inc.**, Chicago, Ill.

[\*\*] Term: **14 Years**

[57] **CLAIM**

[21] Appl. No.: **42,390**

The ornamental design for an arcuate shower caddy, as shown and described.

[22] Filed: **Aug. 9, 1995**

**DESCRIPTION**

[52] **U.S. Cl.** ..... **D6/525**

[58] **Field of Search** ..... D6/524, 525, 566;  
211/88, 106, 113, 119, 181

FIG. 1 is a perspective view of an arcuate shower caddy showing my new design;

FIG. 2 is a right side elevational view thereof (the left side being a mirror image thereof);

FIG. 3 is a front elevational view thereof;

FIG. 4 is a rear elevational view thereof;

FIG. 5 is a top plan view thereof; and,

FIG. 6 is a bottom plan view thereof.

[56] **References Cited**

**U.S. PATENT DOCUMENTS**

D. 251,522	4/1979	Chapman	.....	D6/525
D. 294,902	3/1988	Sussman	.....	D6/525
D. 315,840	4/1991	Emery	.....	D6/525
D. 320,134	9/1991	Emery	.....	D6/525
D. 340,604	10/1993	Conaway et al.	.....	D6/525

**1 Claim, 5 Drawing Sheets**

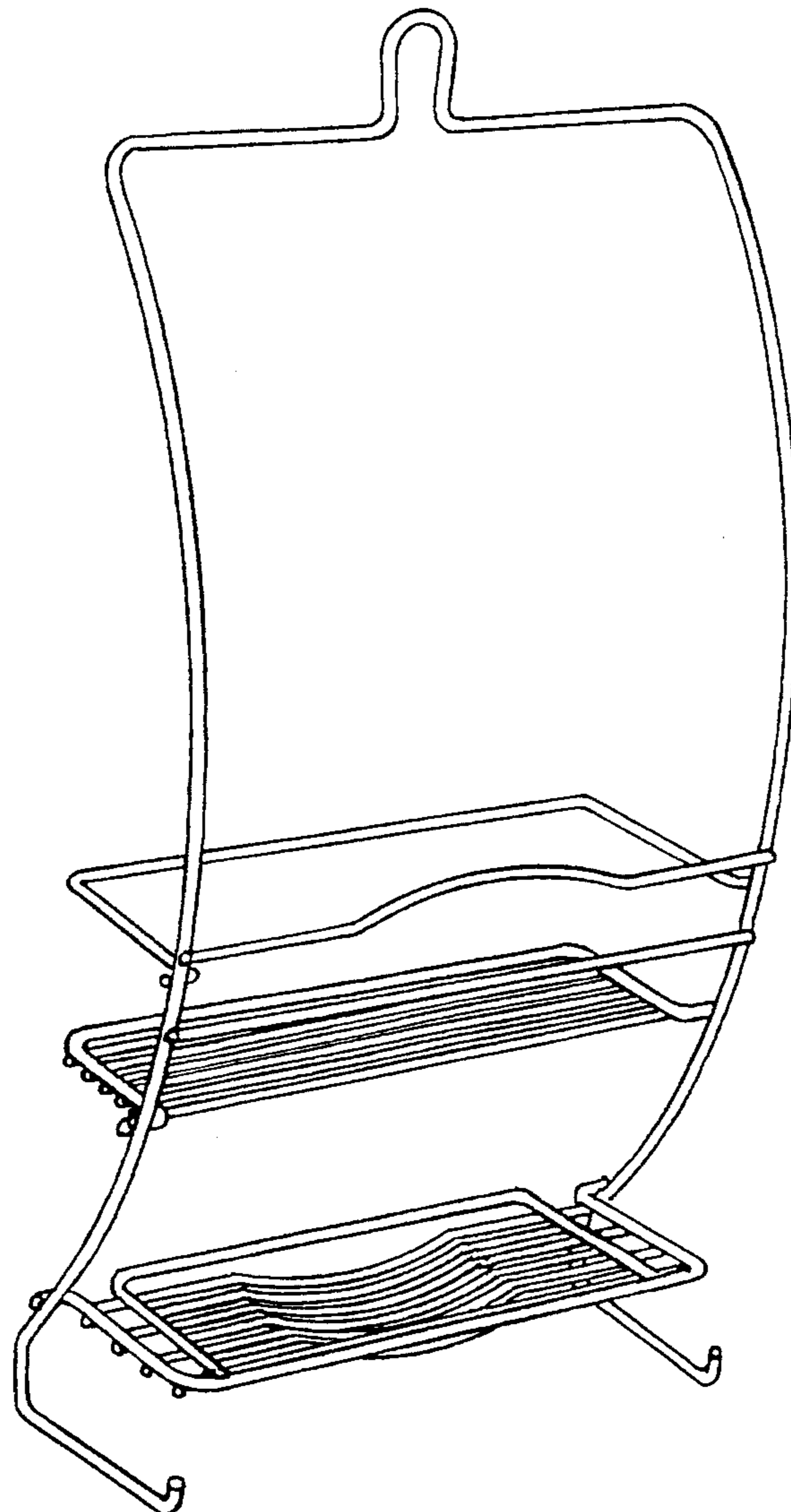


FIG. 1

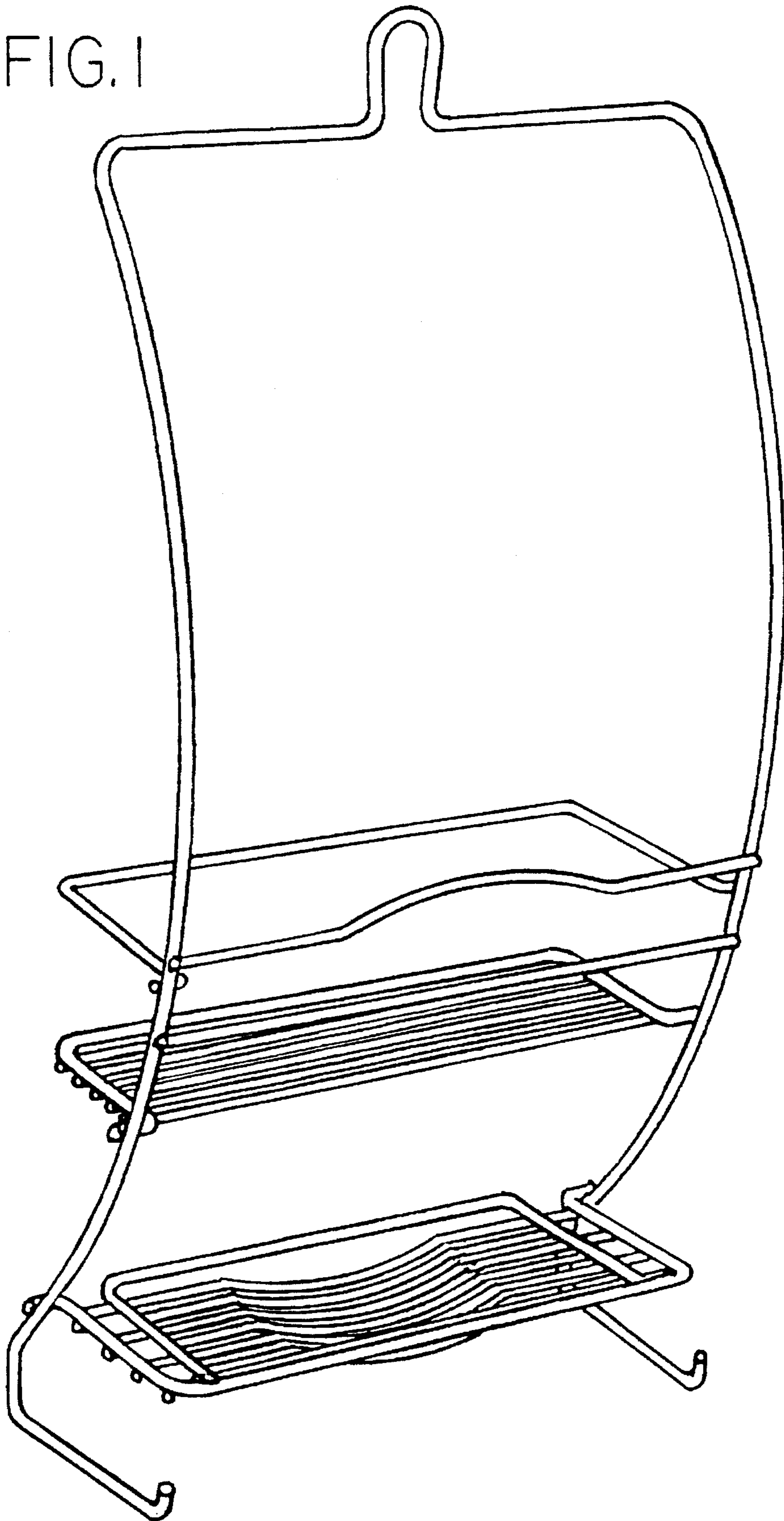


FIG. 2



FIG. 3

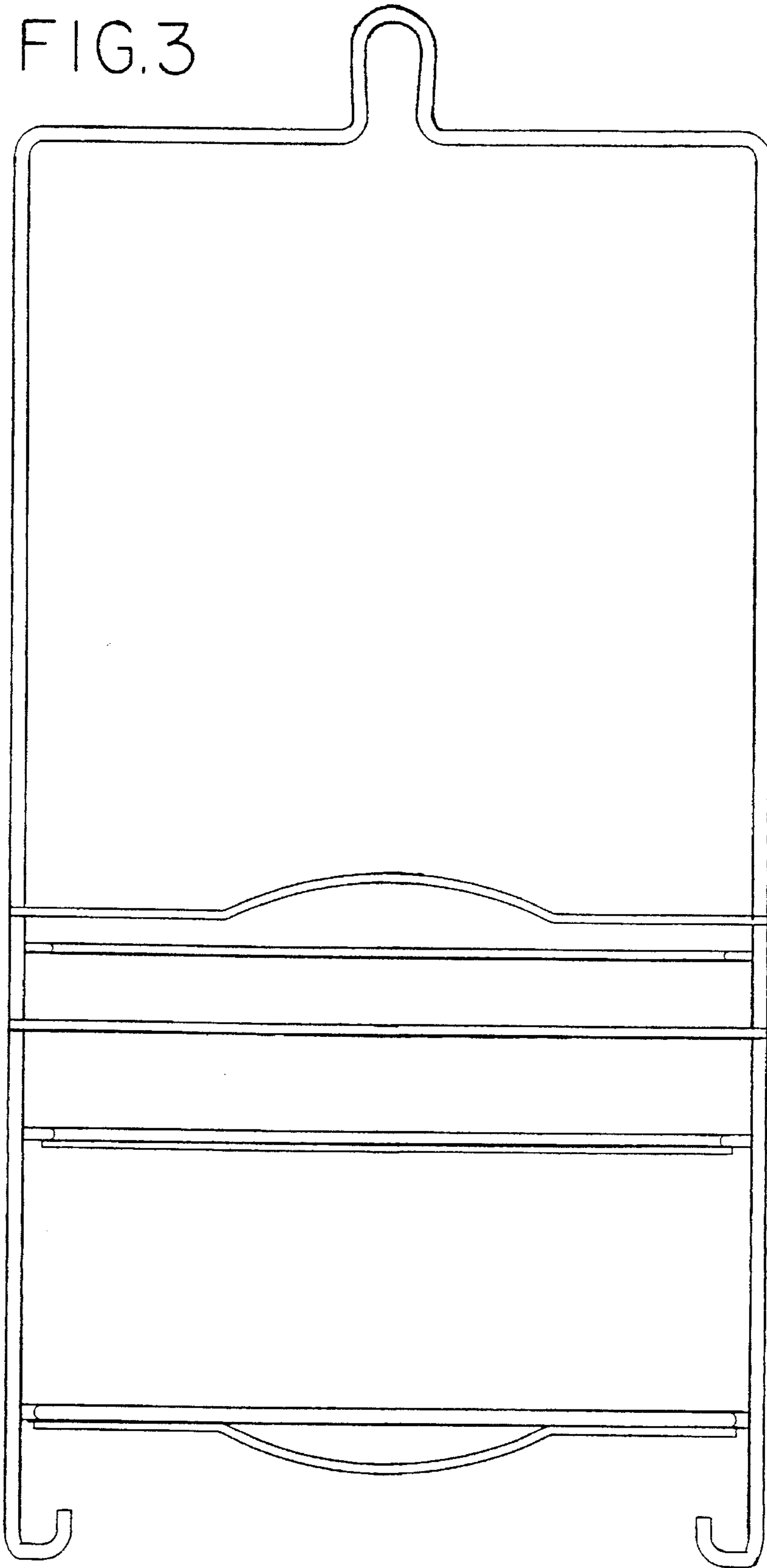


FIG. 4

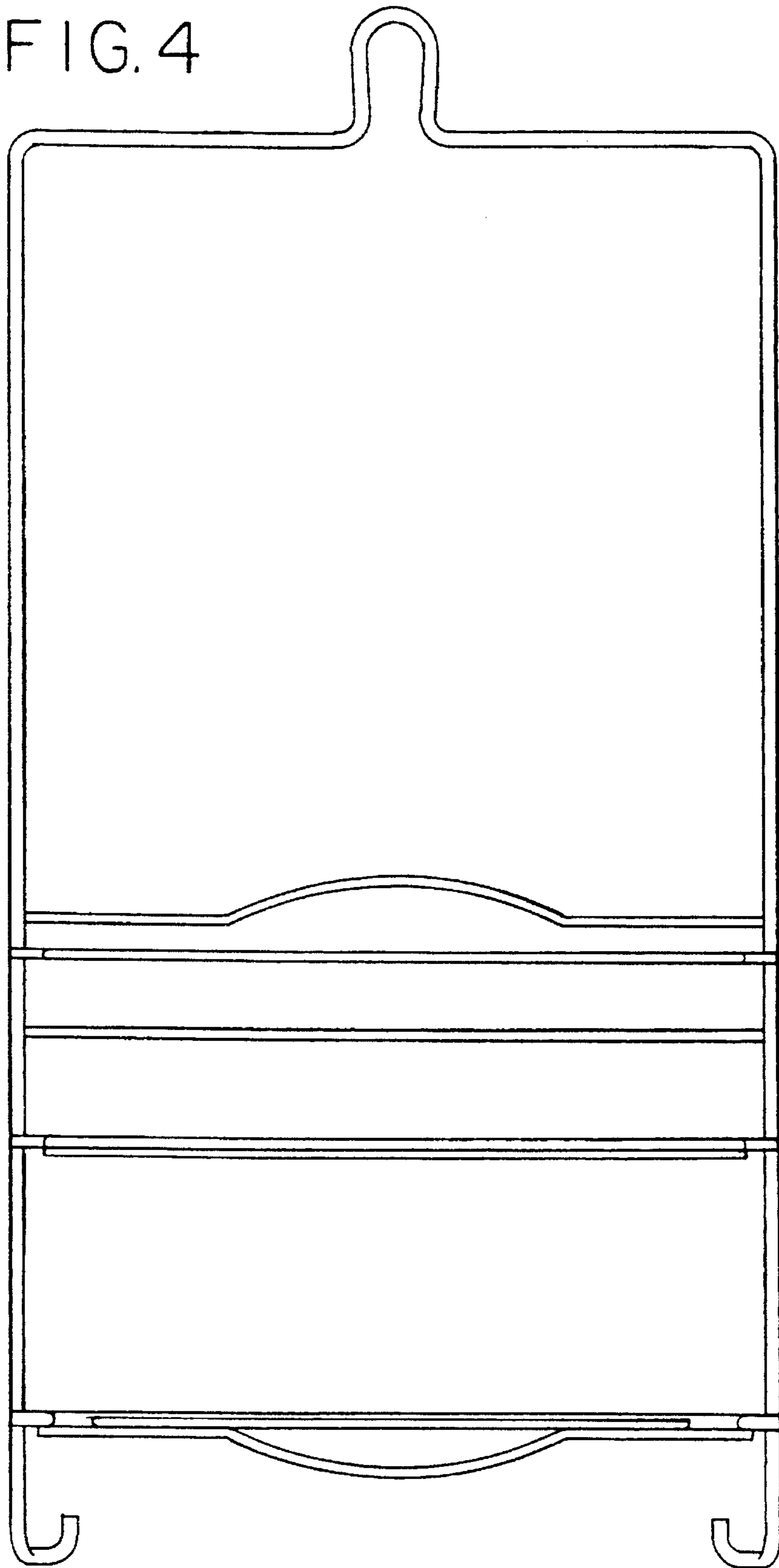


FIG. 5

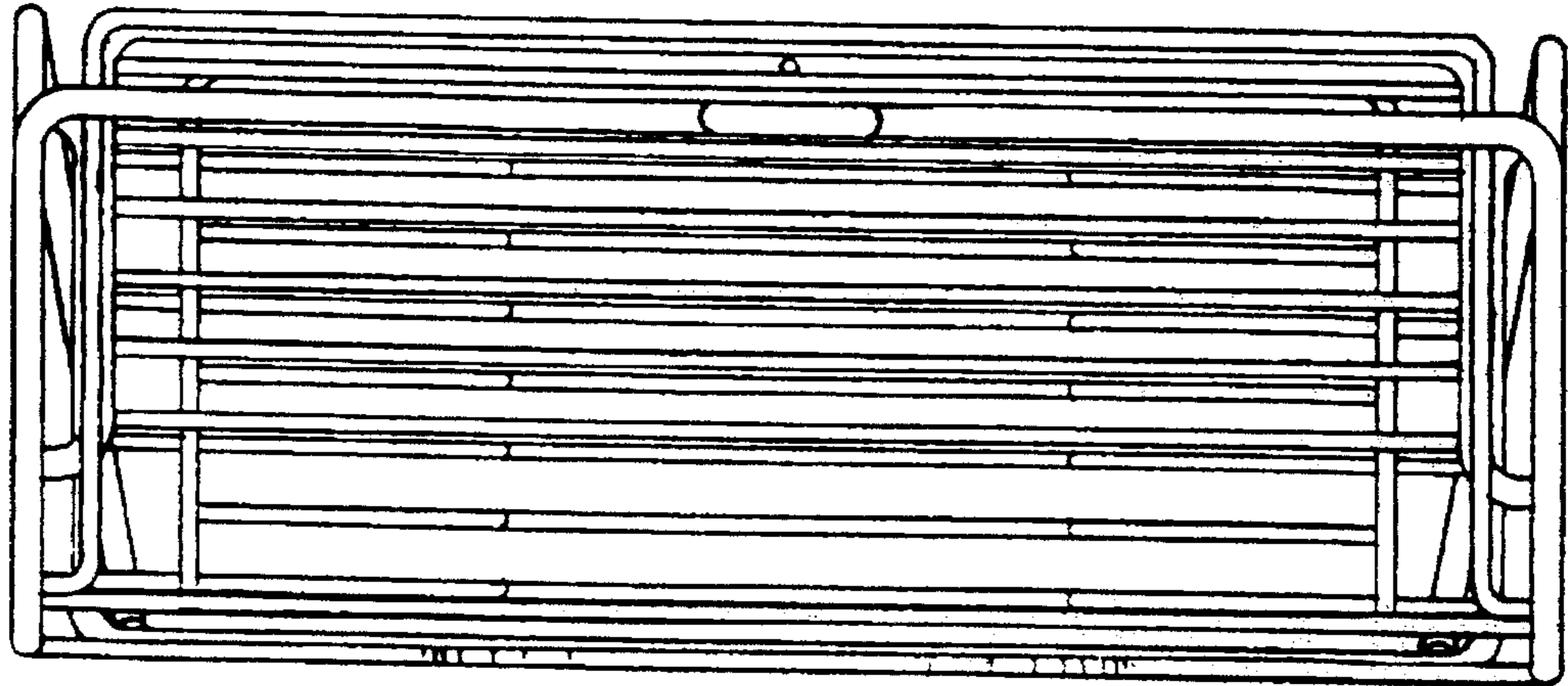


FIG. 6

