



US00D370806S

United States Patent [19]
Sklovsky

[11] **Patent Number:** **Des. 370,806**
[45] **Date of Patent:** ****Jun. 18, 1996**

[54] **MODULAR STACKING BULK SANDPAPER TRAY**

[75] Inventor: **Stuart N. Sklovsky**, Spring Valley, N.Y.

[73] Assignee: **Minnesota Mining and Manufacturing Company**, St. Paul, Minn.

[**] Term: **14 Years**

[21] Appl. No.: **31,635**

[22] Filed: **Dec. 1, 1994**

[52] U.S. Cl. **D6/510**; D19/92

[58] **Field of Search** D6/509, 510, 511;
211/13, 10, 11, 126; 312/281, 282; D19/92

[56] **References Cited**

U.S. PATENT DOCUMENTS

D. 44,999	12/1913	Fraser	D19/92
D. 177,186	8/1956	McCarthy	D19/92
D. 269,017	5/1983	Martin	D19/92
D. 338,917	8/1993	Aaldenberg	D19/92
4,759,451	7/1988	Apps	211/126
4,887,724	12/1989	Pielechowski et al.	211/126 X

Primary Examiner—Alan P. Douglas
Assistant Examiner—S. Snapp

Attorney, Agent, or Firm—Mark P. Stone

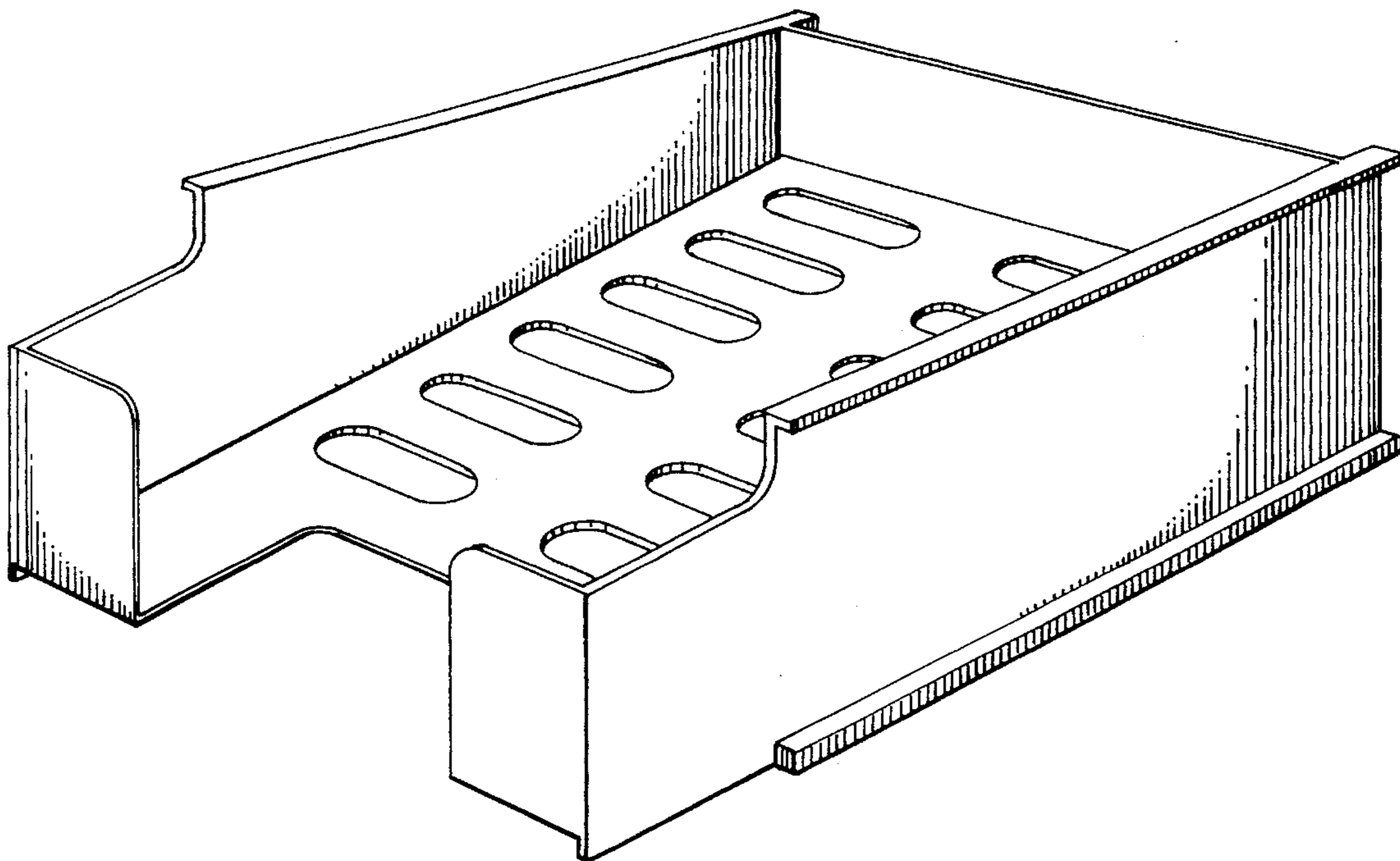
[57] **CLAIM**

The ornamental design for a modular stacking bulk sandpaper tray, as shown and described.

DESCRIPTION

FIG. 1 is a perspective view of a modular stacking bulk sandpaper tray showing my new design; FIG. 2 is a perspective view of the design illustrated by FIG. 1 also illustrating an identical design shown in broken line and stacked atop thereof; FIG. 3 is a top plan view of the design illustrated by FIG. 1; FIG. 4 is a left side elevational view of the design illustrated by FIG. 1; FIG. 5 is a front elevational view of the design illustrated by FIG. 1; FIG. 6 is a bottom plan view of the design illustrated by FIG. 1; FIG. 7 is a right side elevational view of the design illustrated by FIG. 1; and, FIG. 8 is a rear elevational view of the design illustrated by FIG. 1. The broken line showing of a sandpaper tray in FIG. 2 is for illustrative purposes only and forms no part of the claimed design.

1 Claim, 4 Drawing Sheets



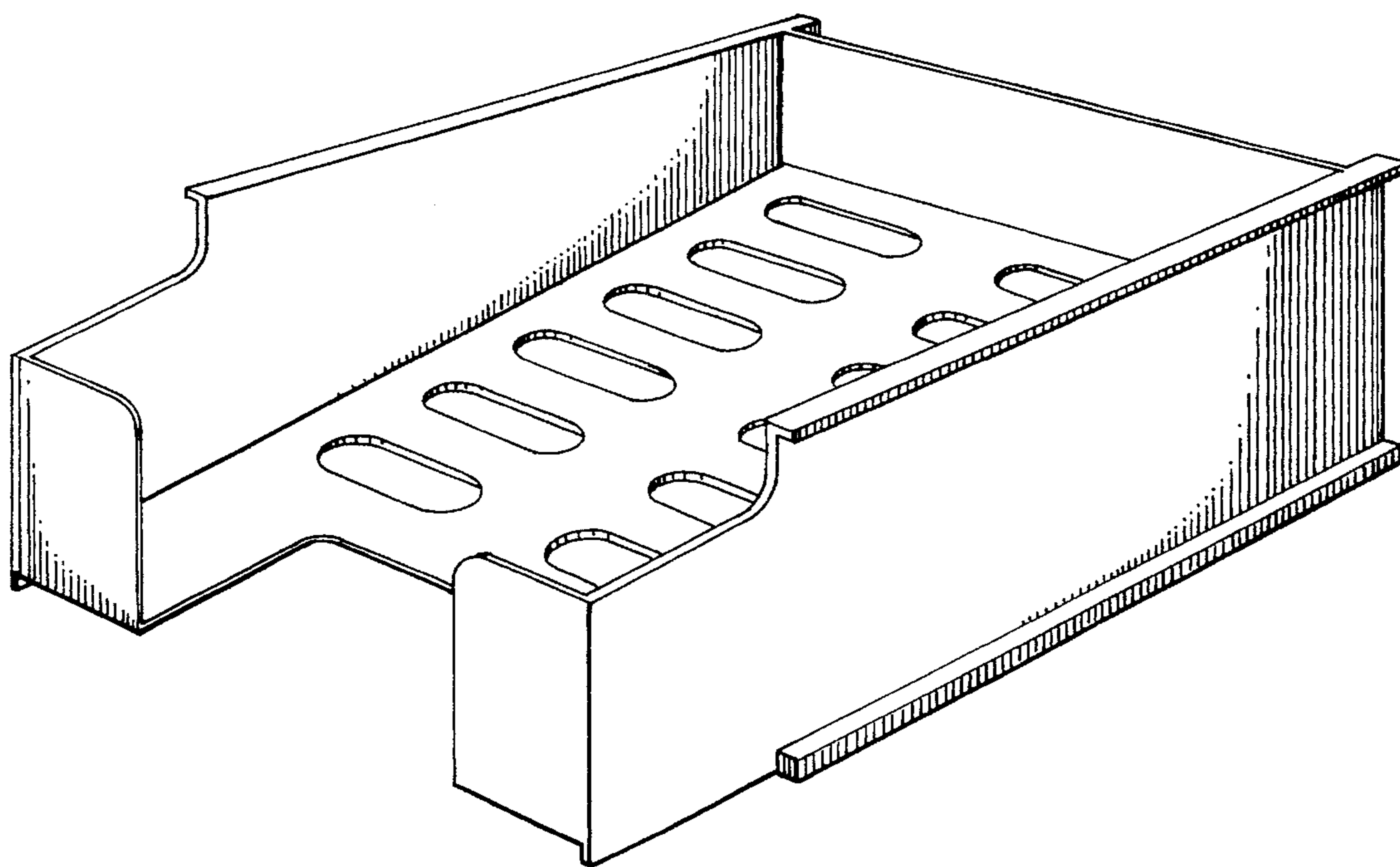


FIG. 1

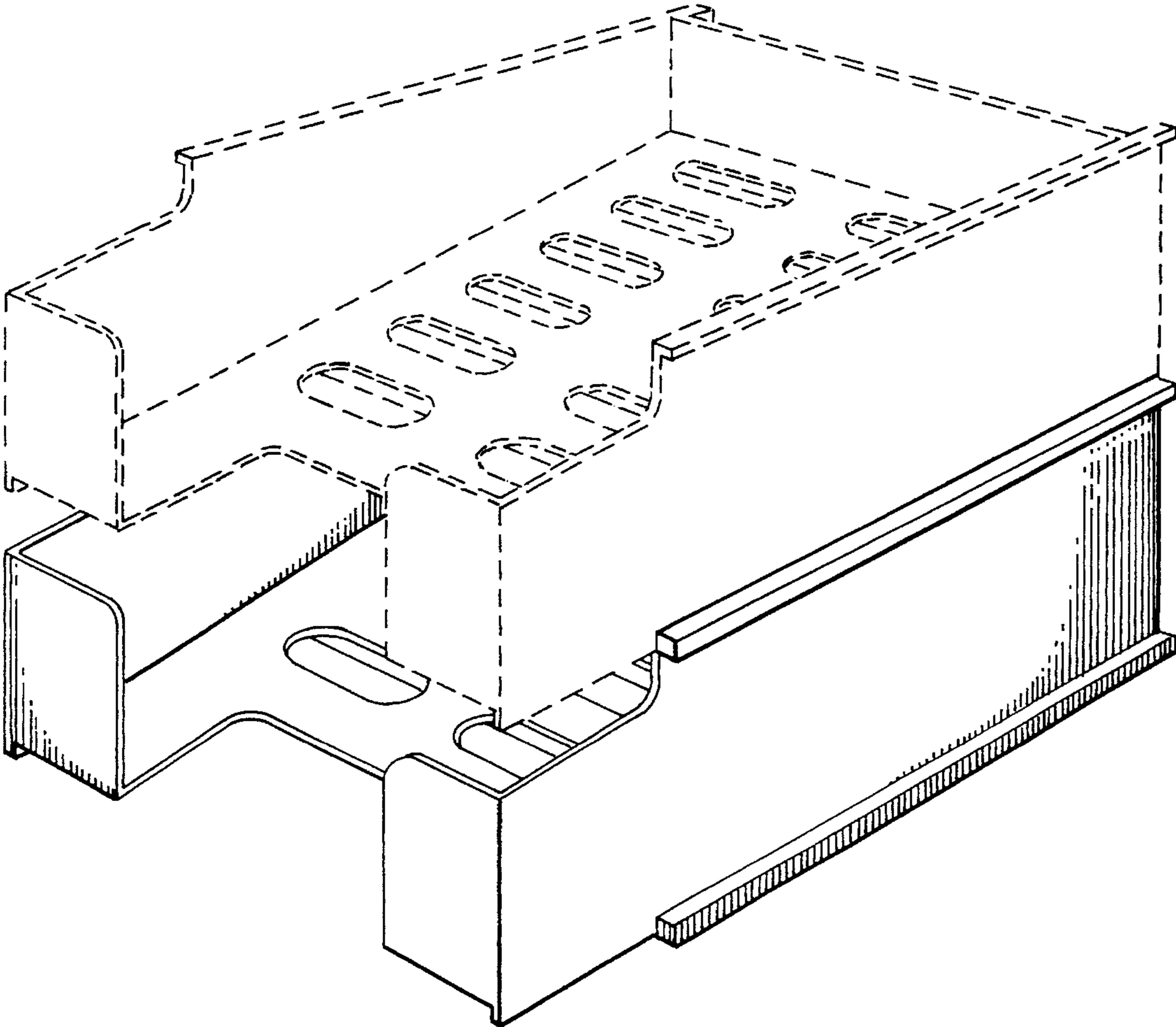


FIG. 2

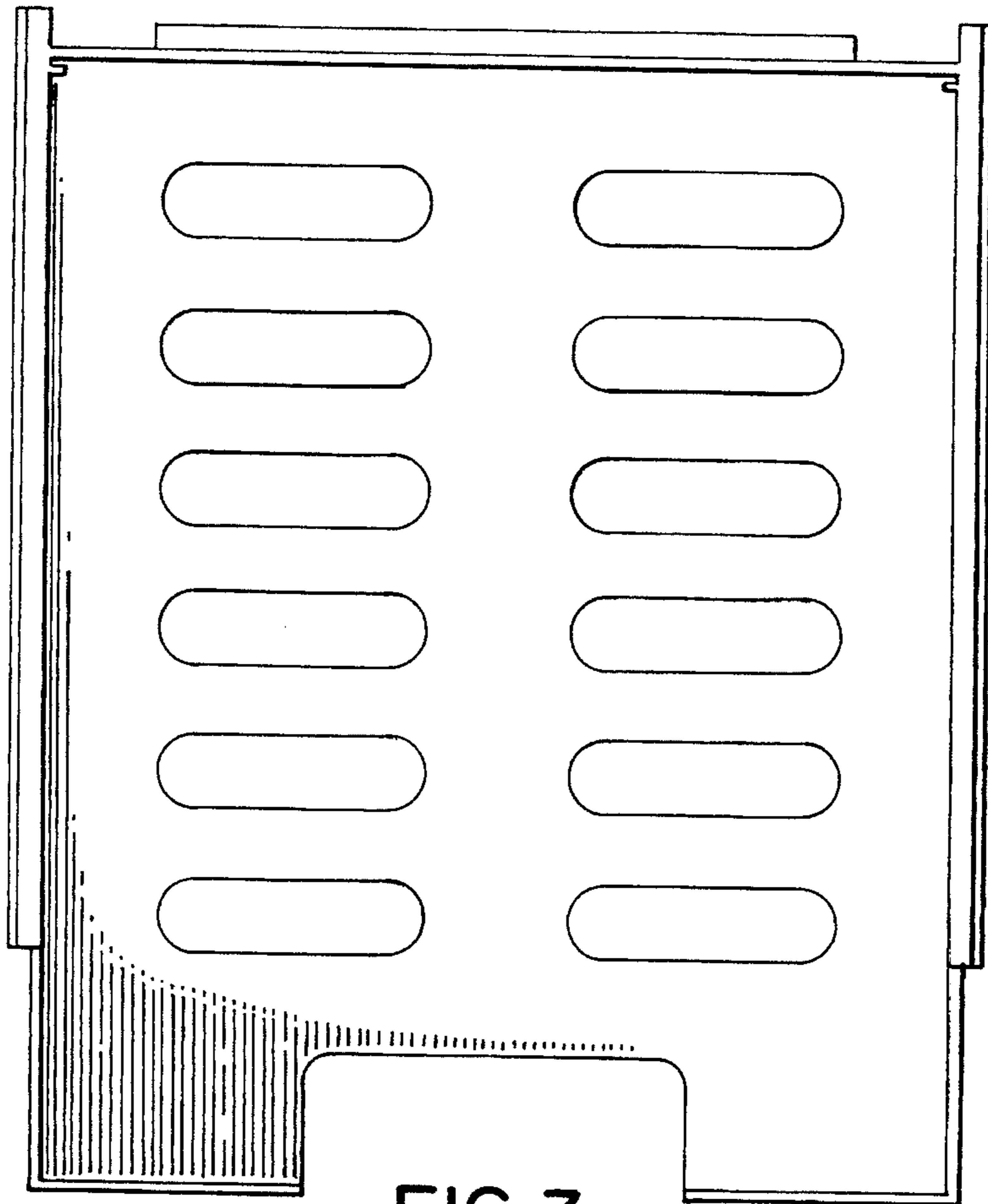


FIG. 3

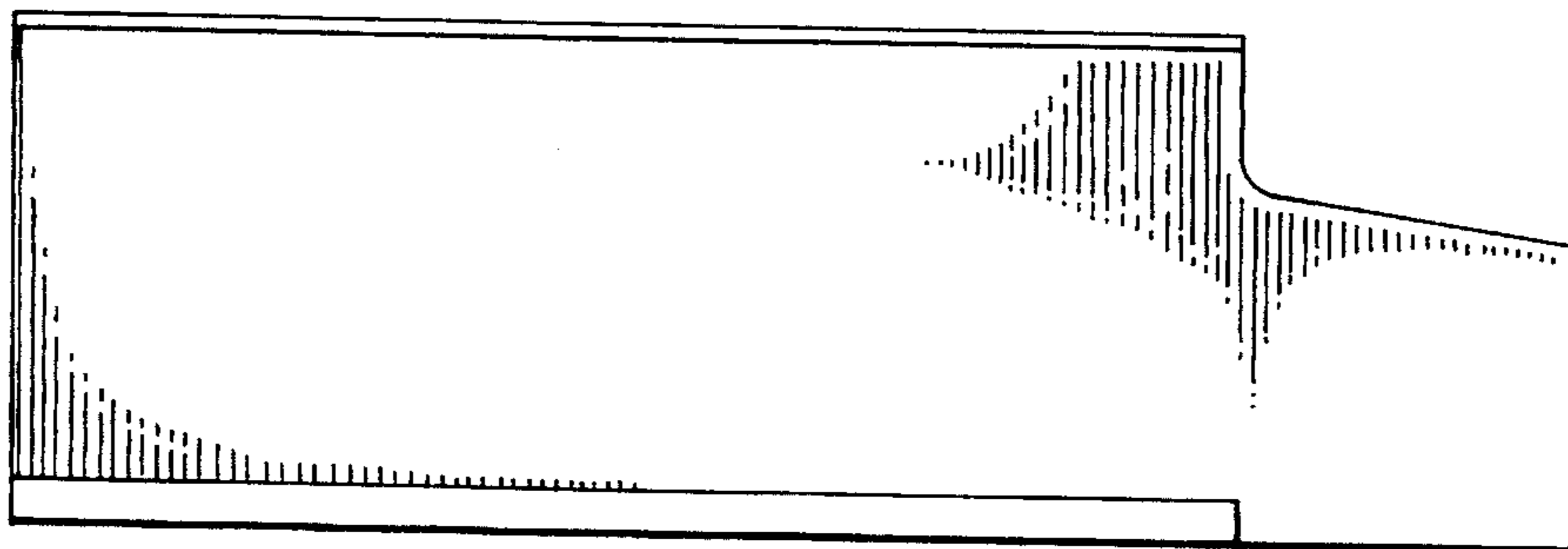


FIG. 4

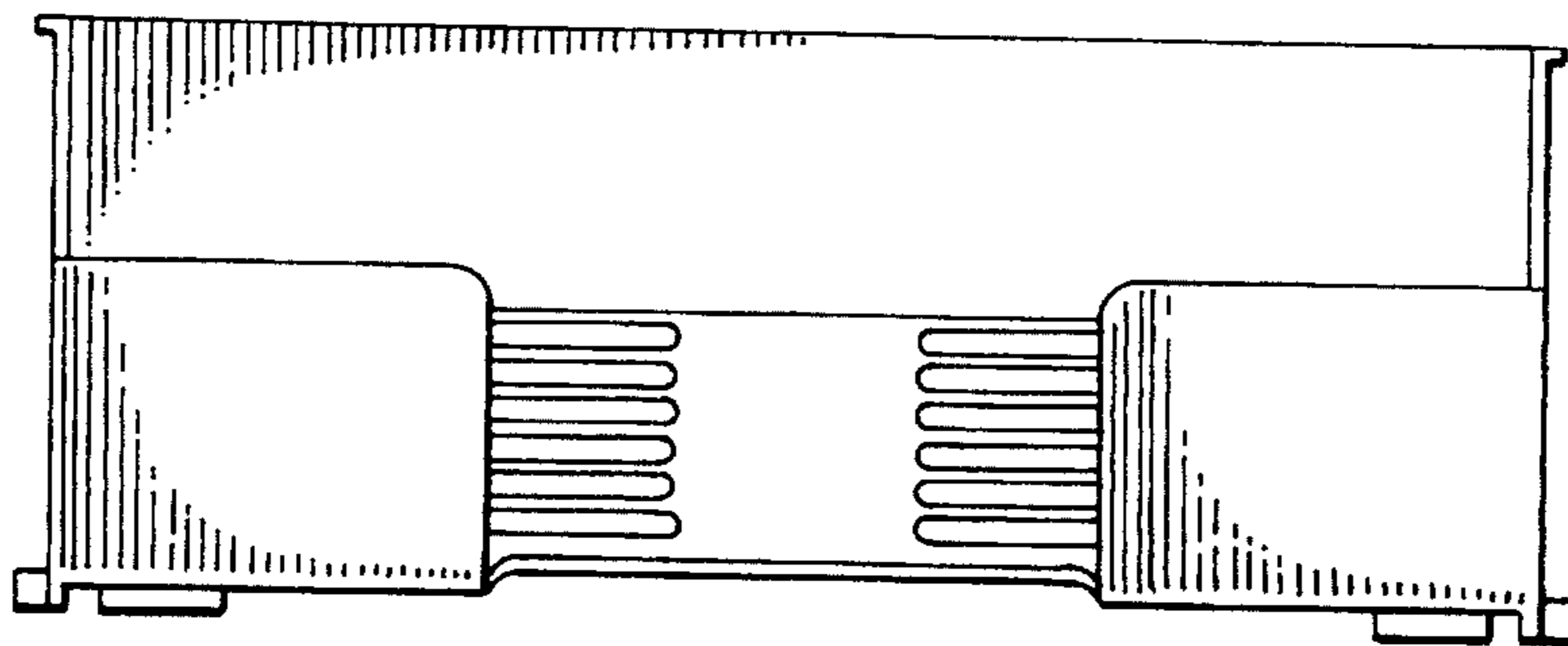


FIG. 5

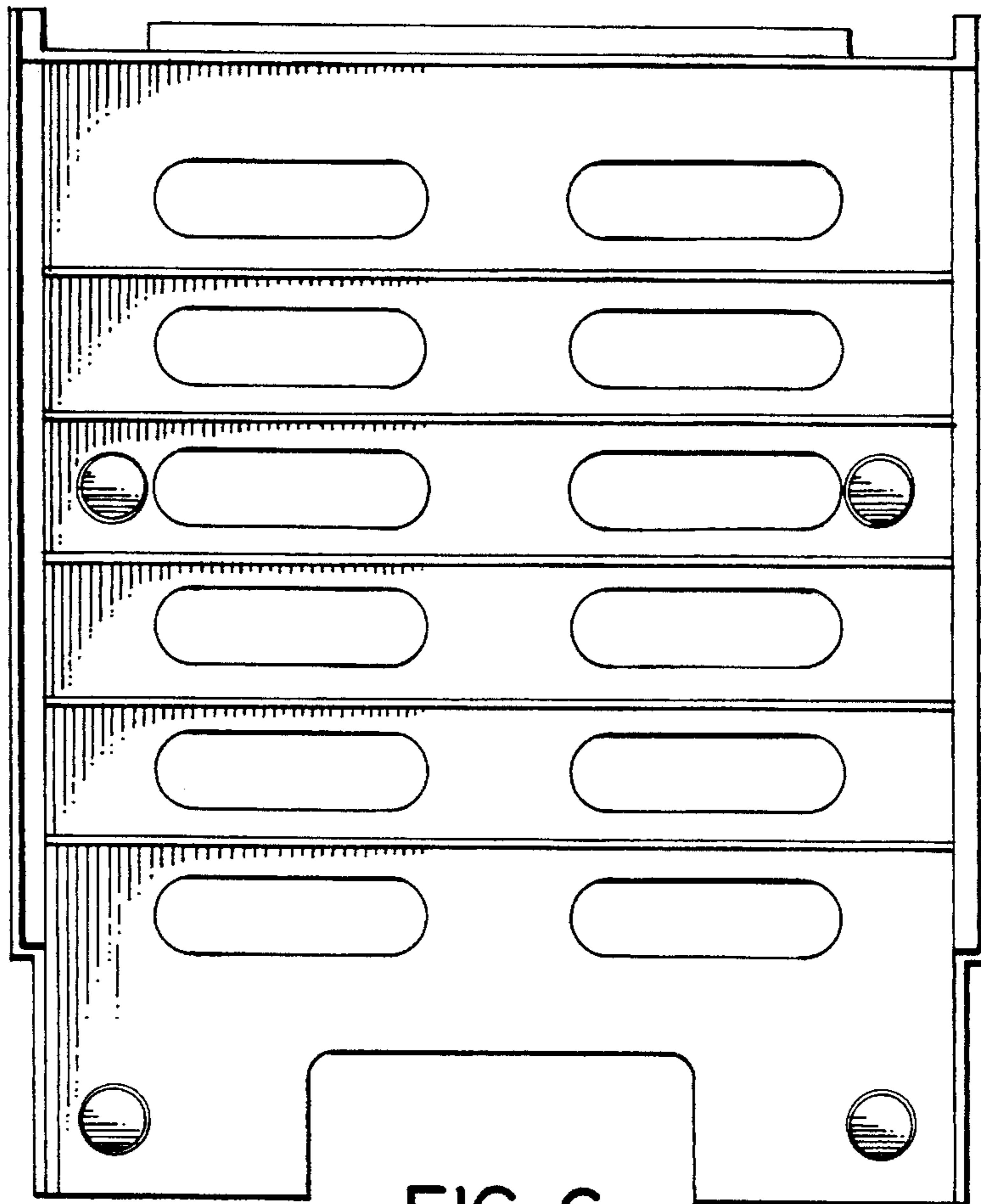


FIG. 6

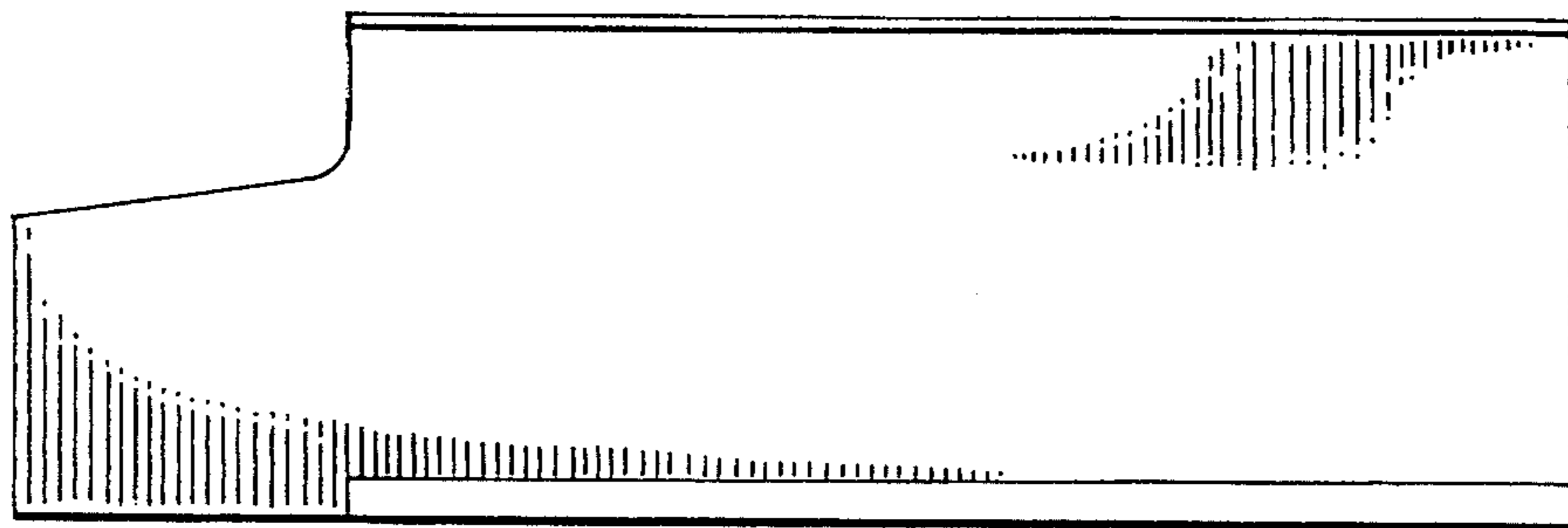


FIG. 7

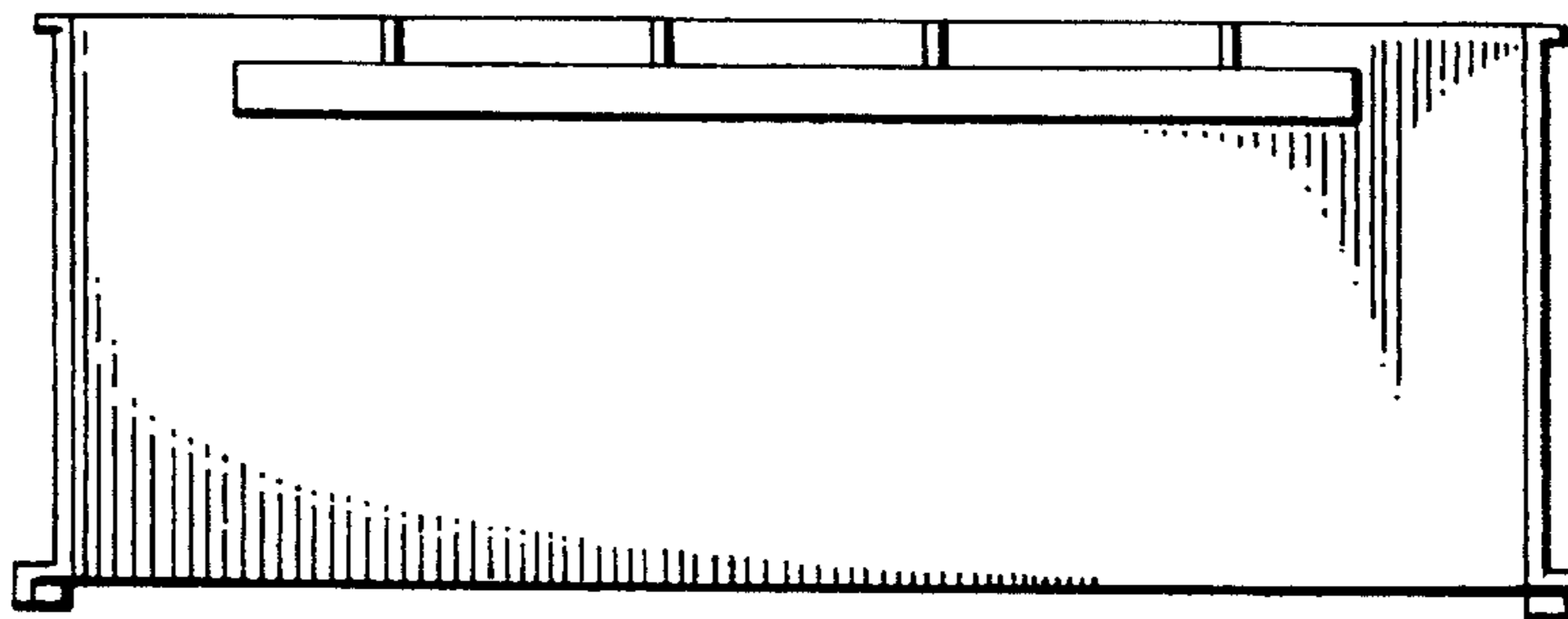


FIG. 8