



US00D370803S

**United States Patent** [19]  
**Martin**

[11] **Patent Number: Des. 370,803**  
[45] **Date of Patent: \*\*Jun. 18, 1996**

[54] **TABLE**

[75] Inventor: **Leo Martin**, Coconut Grove, Fla.

[73] Assignee: **Miami Metal Products, Inc.**, Miami, Fla.

[\*\*] Term: **14 Years**

[21] Appl. No.: **37,363**

[22] Filed: **Apr. 11, 1995**

[52] U.S. Cl. .... **D6/484**

[58] **Field of Search** ..... D6/480-489, 495, D6/499; 108/153, 157, 161; 248/188, 188.1

[56] **References Cited**

**U.S. PATENT DOCUMENTS**

D. 295,243	4/1988	Oto .....	D6/484
D. 337,461	7/1993	Martin .....	D6/484
D. 357,832	5/1995	Yeh .....	D6/488

**OTHER PUBLICATIONS**

La Barge, p. 122B, #8080 at top left.  
Thomasville, Four Corners, 1989, p. 27, #B at left and center.

*Primary Examiner*—Janice E. Seeger

[57] **CLAIM**

The ornamental design for a table, as shown and described.

**DESCRIPTION**

FIG. 1 is a perspective view of a table, showing my new design;

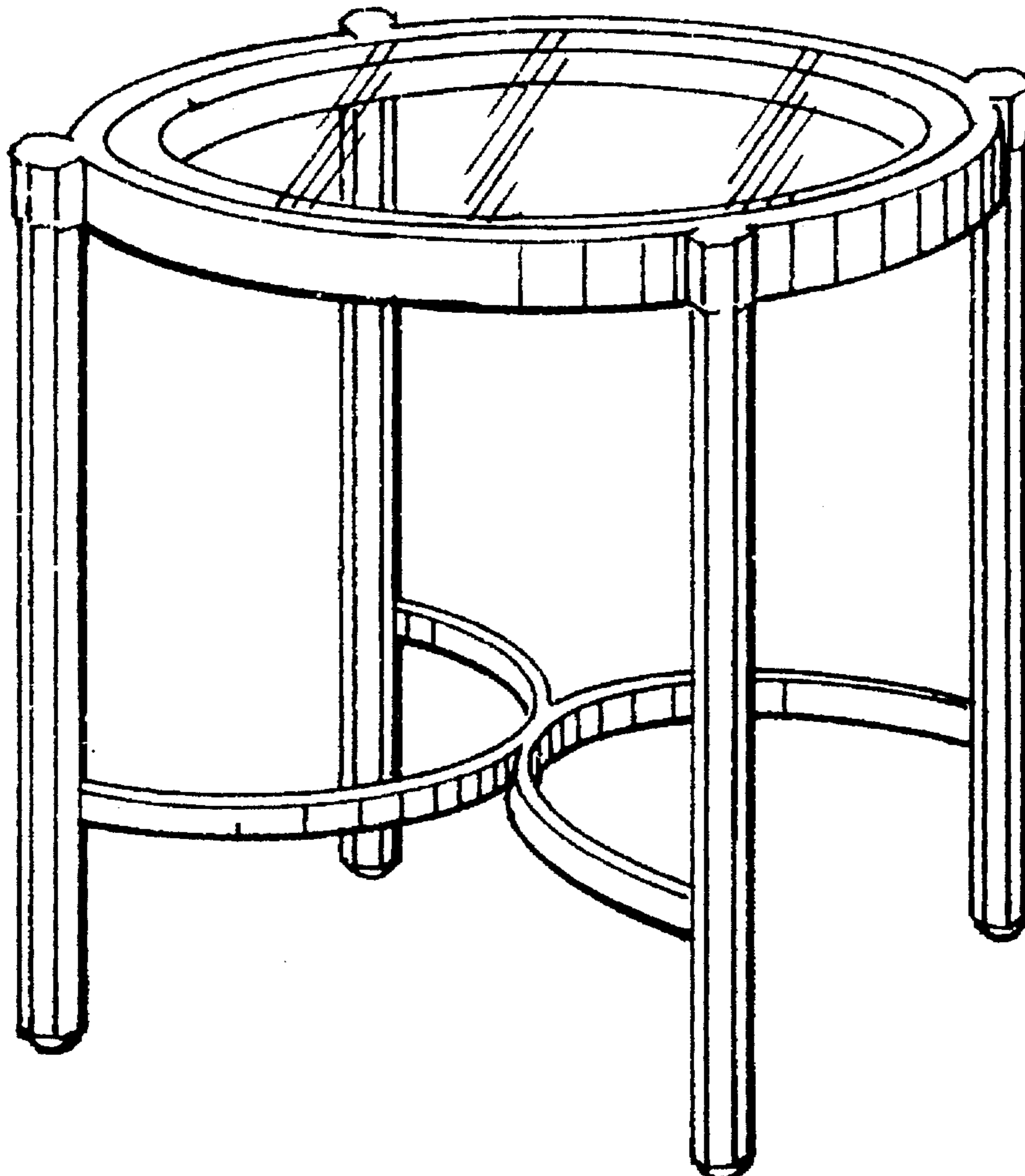
FIG. 2 is a side elevational view;

FIG. 3 is another side elevational view;

FIG. 4 is a top plan view; and,

FIG. 5 is a bottom plan view thereof.

**1 Claim, 1 Drawing Sheet**



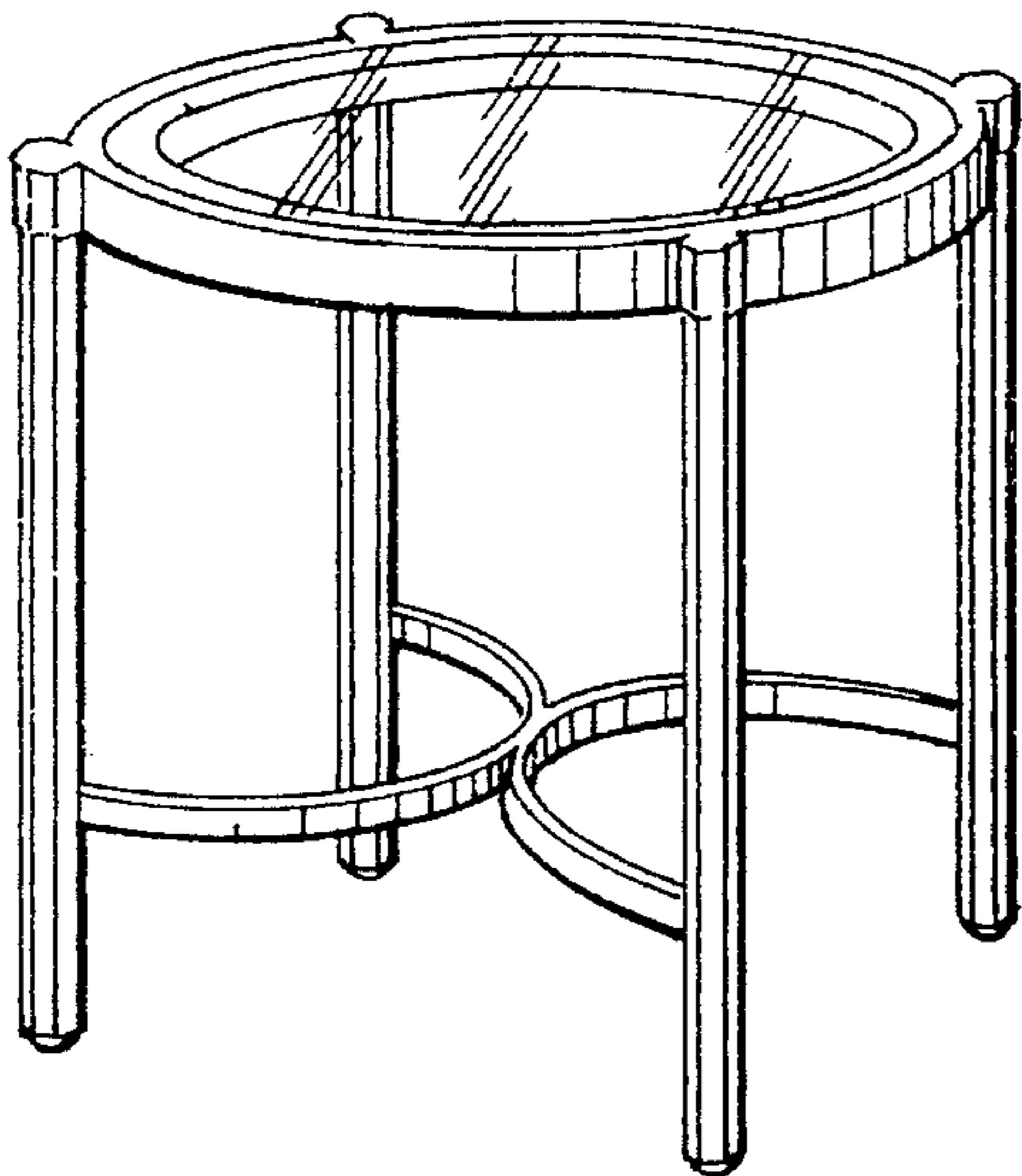


FIG. 1

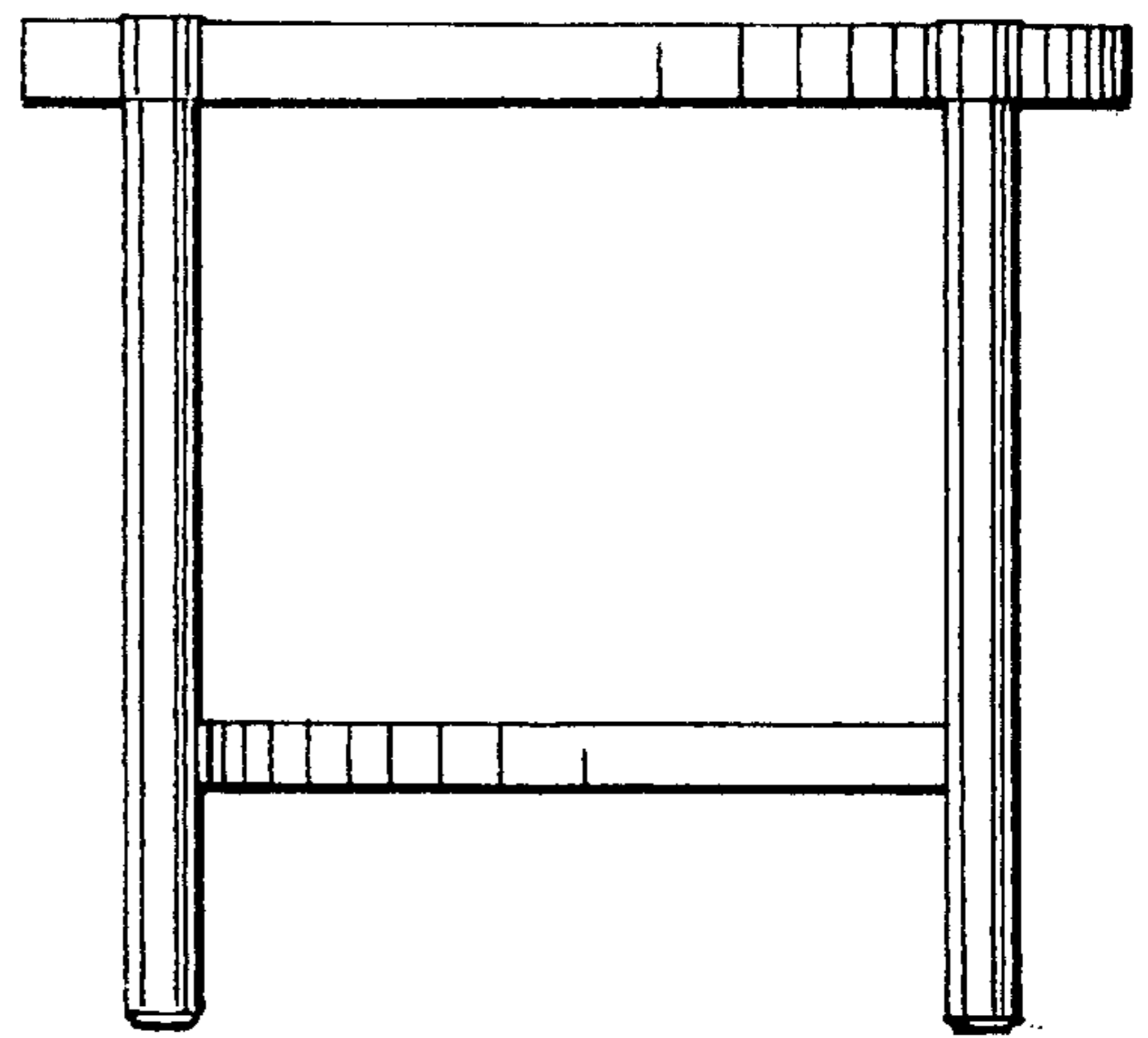


FIG. 2

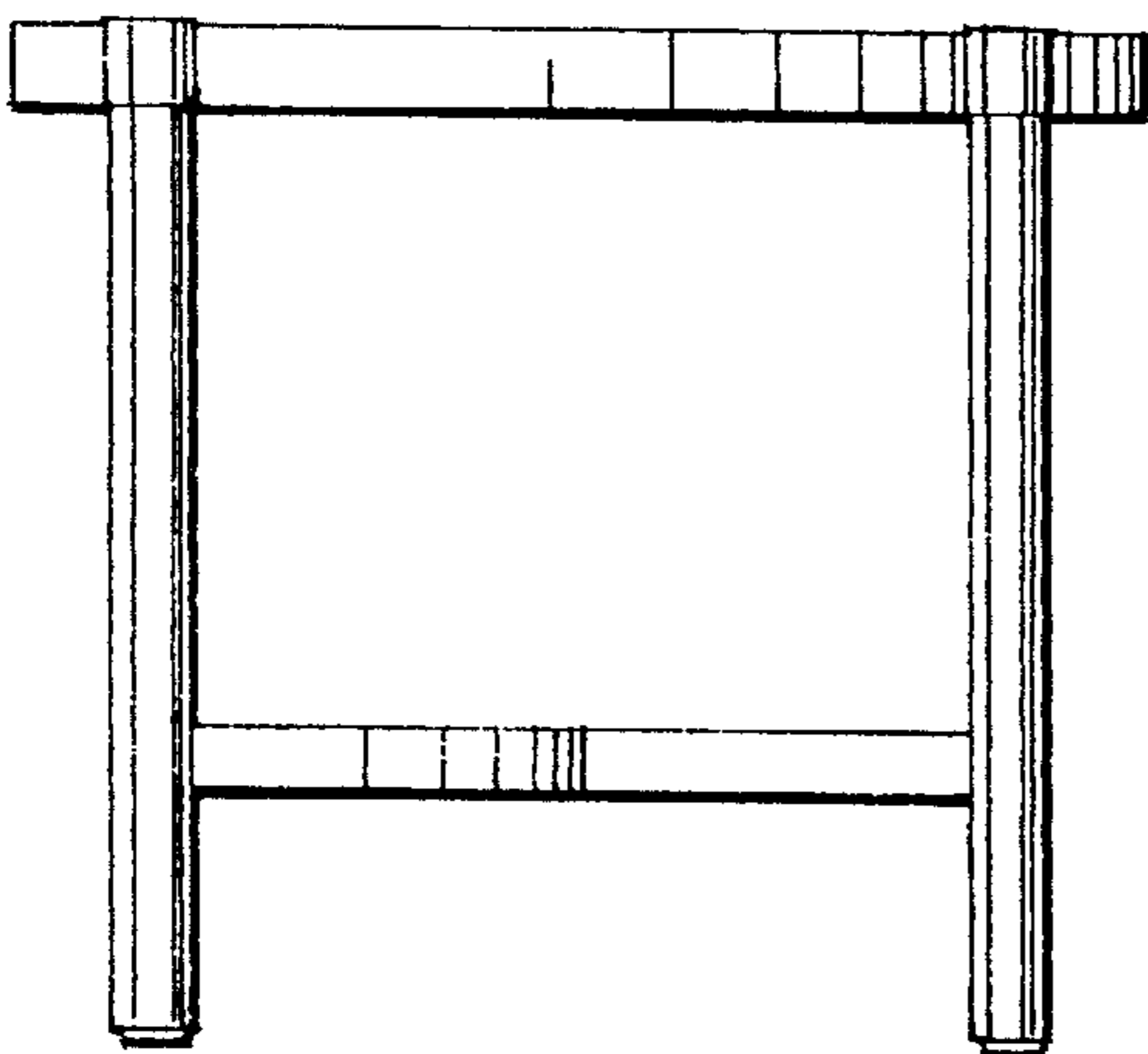


FIG. 3

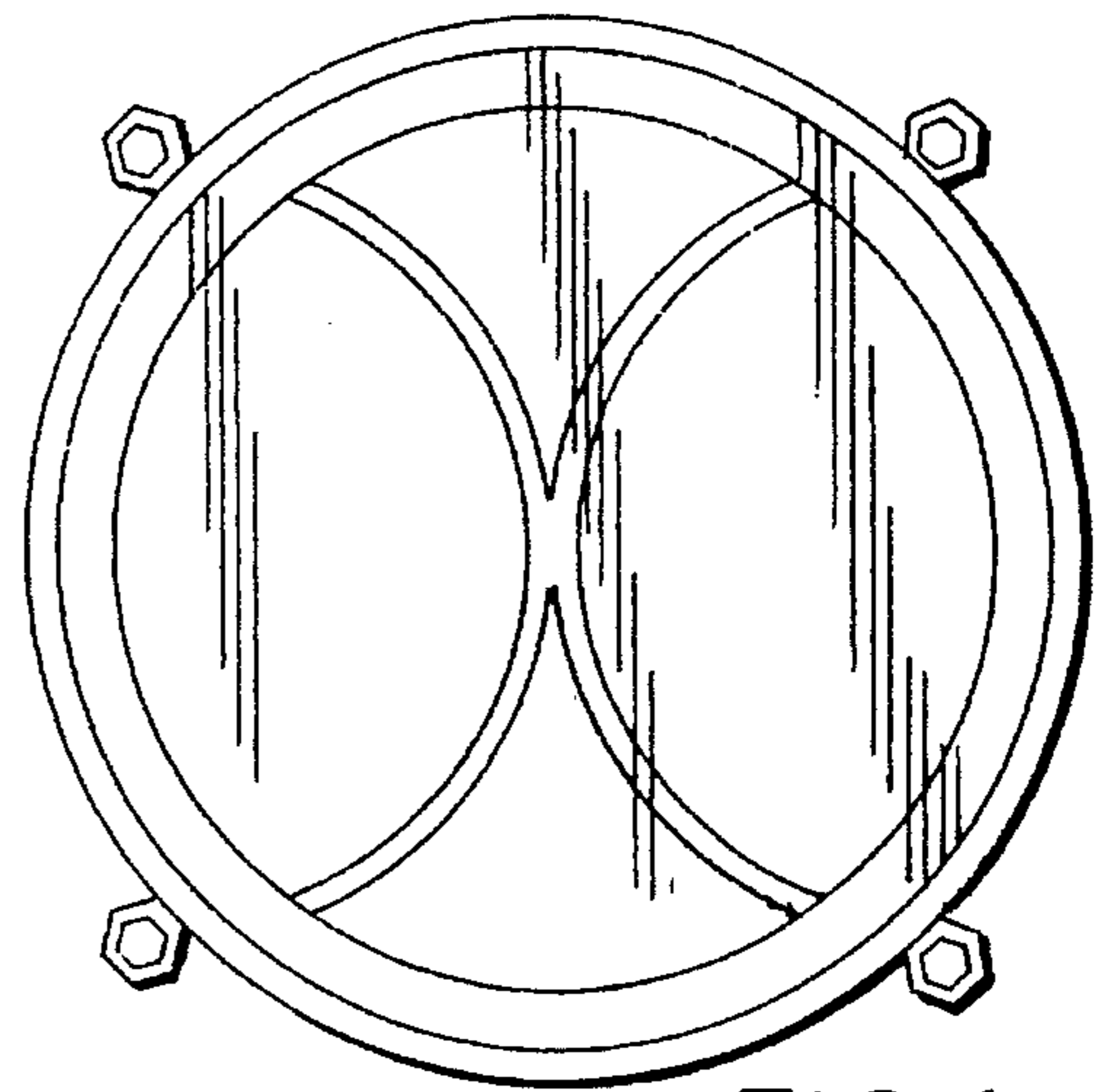


FIG. 4

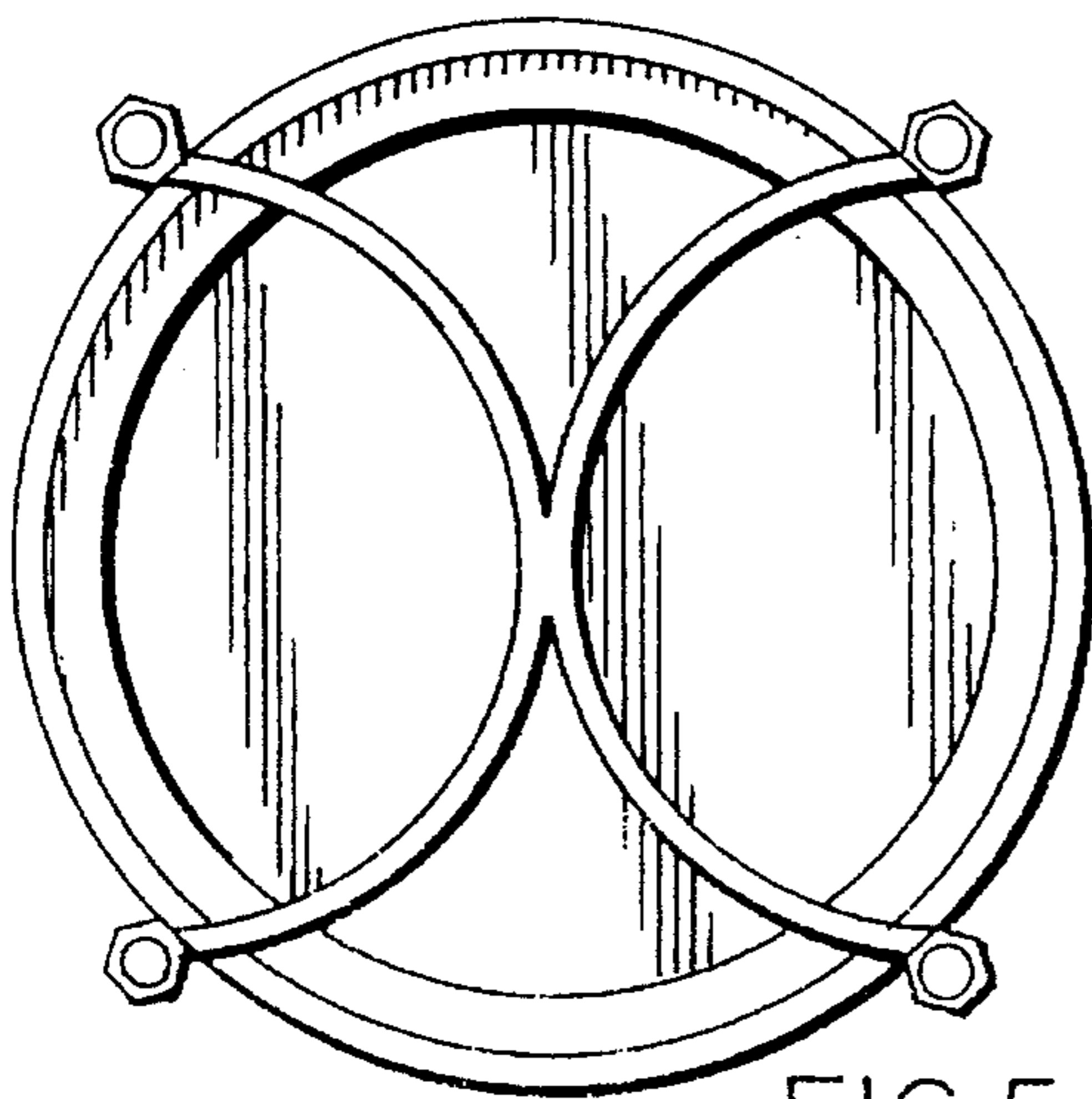


FIG. 5