



US00D370799S

# United States Patent [19]

[11] Patent Number: **Des. 370,799**

Rosen

[45] Date of Patent: **\*\*Jun. 18, 1996**

[54] CABINET

D. 355,084 2/1995 Rosen ..... D6/446

[75] Inventor: **Leon Rosen**, Scarsdale, N.Y.

*Primary Examiner*—Carmen H. Vales-Lado  
*Attorney, Agent, or Firm*—Darby & Darby

[73] Assignee: **The Pace Collection, Inc.**, Long Island City, N.Y.

### [57] CLAIM

[\*\*] Term: **14 Years**

The ornamental design for a cabinet, as shown and described.

[21] Appl. No.: **36,799**

### DESCRIPTION

[22] Filed: **Mar. 28, 1995**

[52] U.S. Cl. .... **D6/446**; D6/434

[58] Field of Search ..... D6/432-448, 450,  
D6/451, 482; 312/204, 257

FIG. 1 is a top perspective view of a cabinet showing my new design;

FIG. 2 is a top plan view thereof;

FIG. 3 is a front elevational view thereof;

FIG. 4 is a right side elevational view thereof; the left side being a mirror image of the right side shown;

FIG. 5 is a rear elevational view thereof;

FIG. 6 is a bottom plan view thereof; and

FIG. 7 is a perspective view of a second embodiment of the cabinet shown in FIG. 1, the lines on the cabinet represent wood grain;

FIG. 8 is a top plan view thereof;

FIG. 9 is a front elevational view thereof;

FIG. 10 is a right side elevational view, the left side being a mirror image; and,

FIG. 11 is a bottom plan view thereof.

### [56] References Cited

#### U.S. PATENT DOCUMENTS

D. 38,302	10/1906	Balogh	.....	D6/434
D. 127,831	6/1941	Pahlmann	.....	D6/446 X
D. 152,585	2/1949	Ben-Ari	.....	D6/446
D. 182,838	5/1958	Lubbets et al.	.....	D6/446
D. 243,904	4/1977	Carter	.....	D6/446
D. 244,111	4/1977	Friedman	.....	D6/446
D. 257,197	10/1980	Sanchez	.....	D6/439 X
D. 300,487	4/1989	Dyer	.....	D6/446
D. 318,582	7/1991	Hollington	.....	D6/446
D. 325,831	5/1992	Rosen	.....	D6/446

**1 Claim, 4 Drawing Sheets**

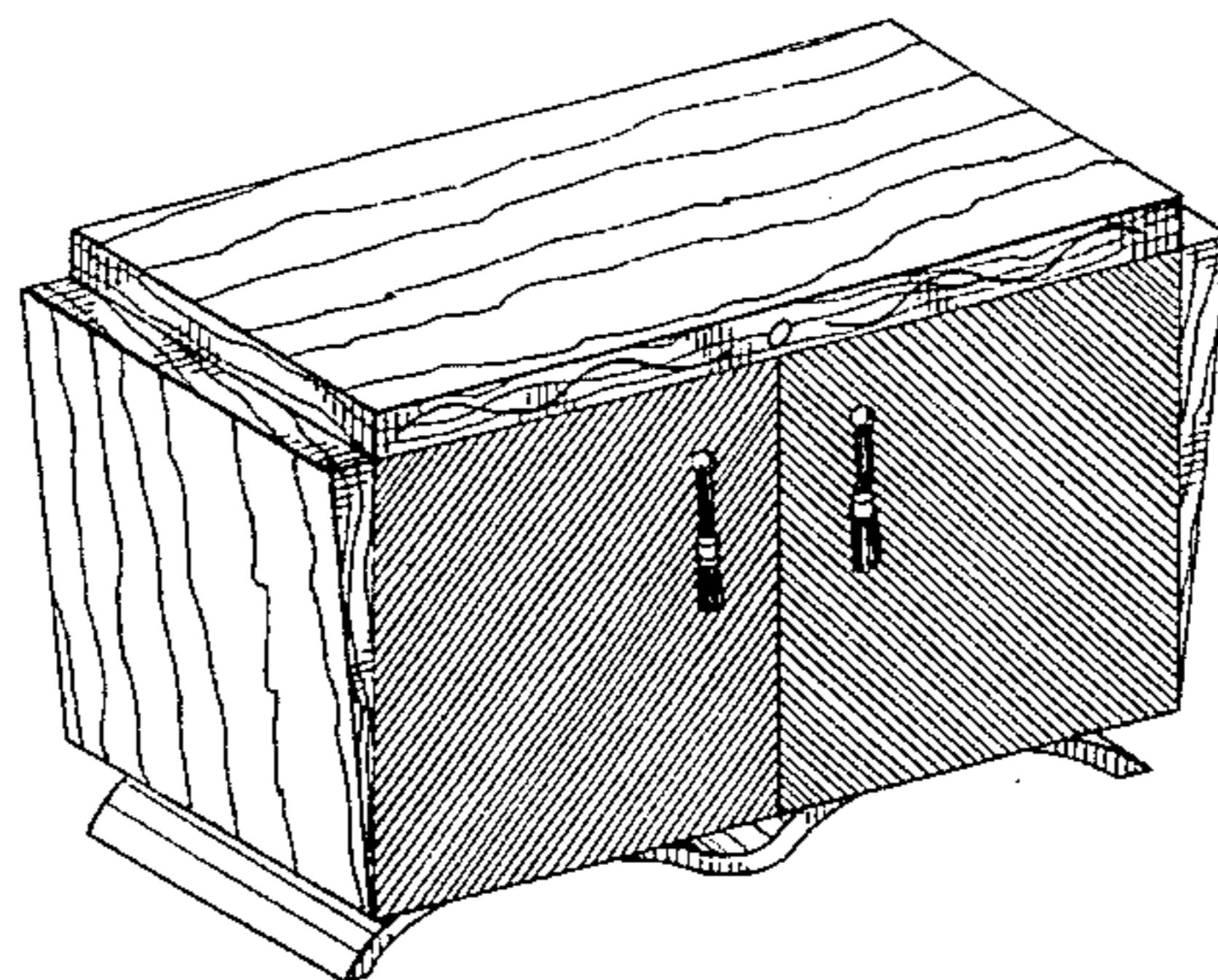
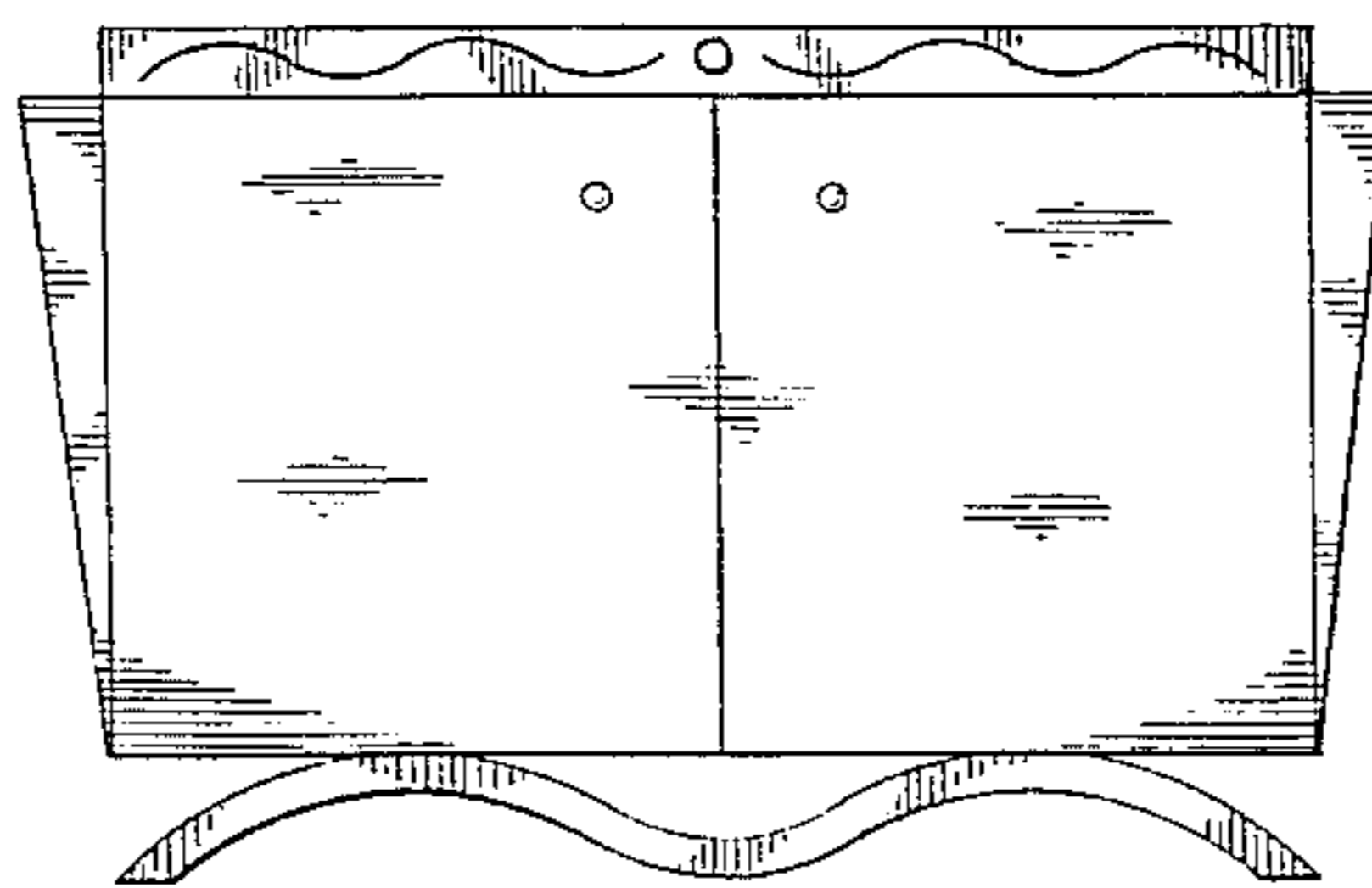
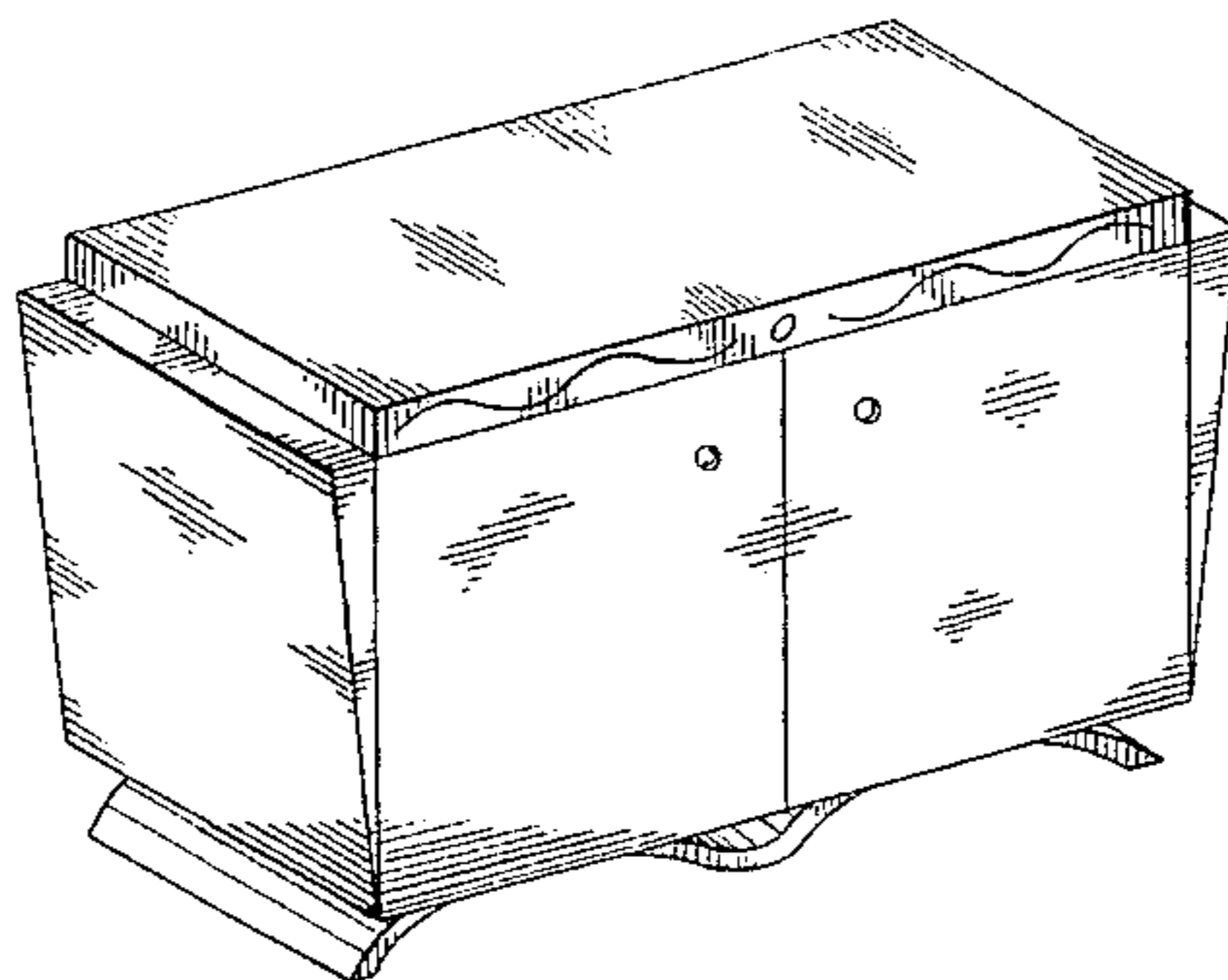


FIG. 1

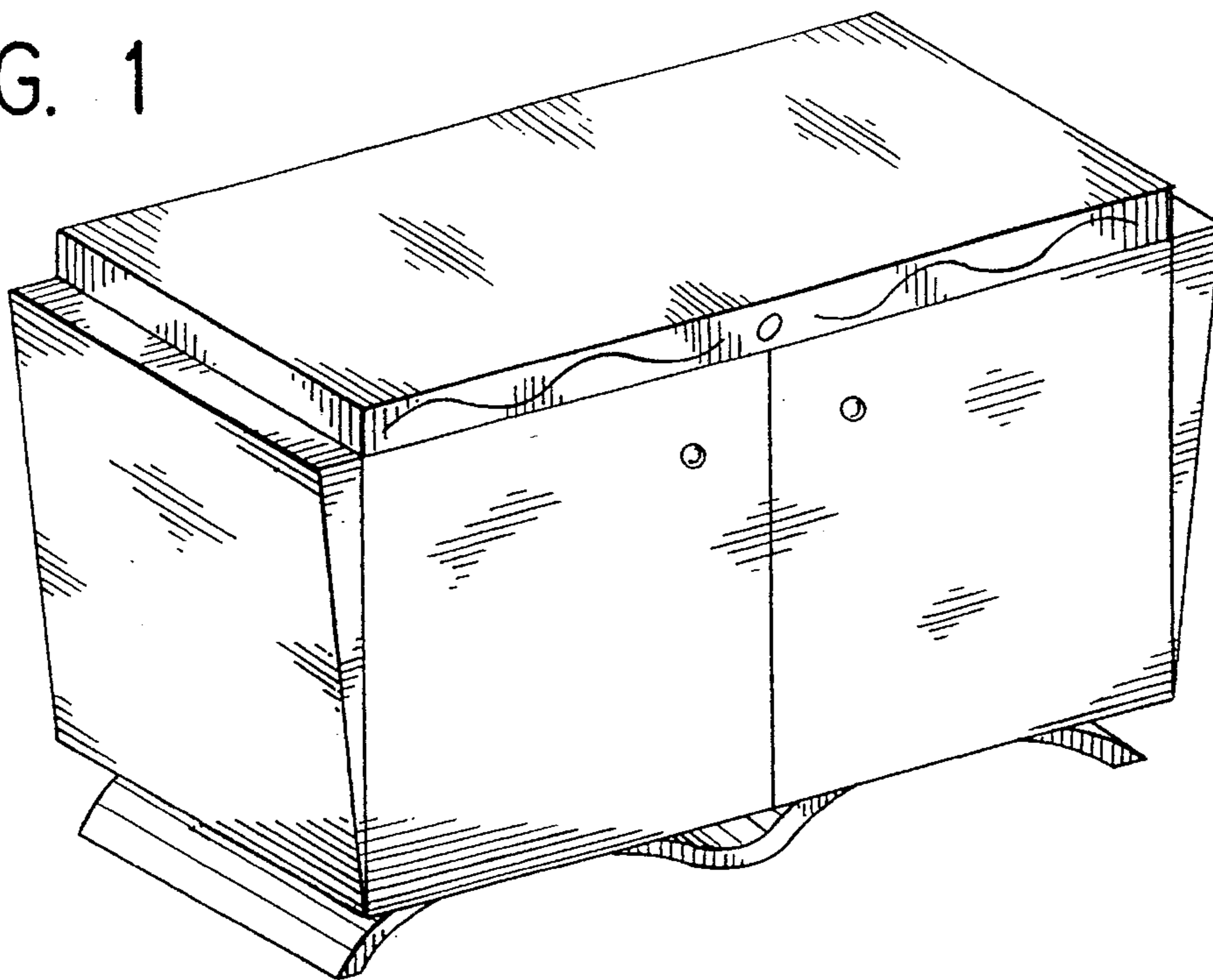


FIG. 2

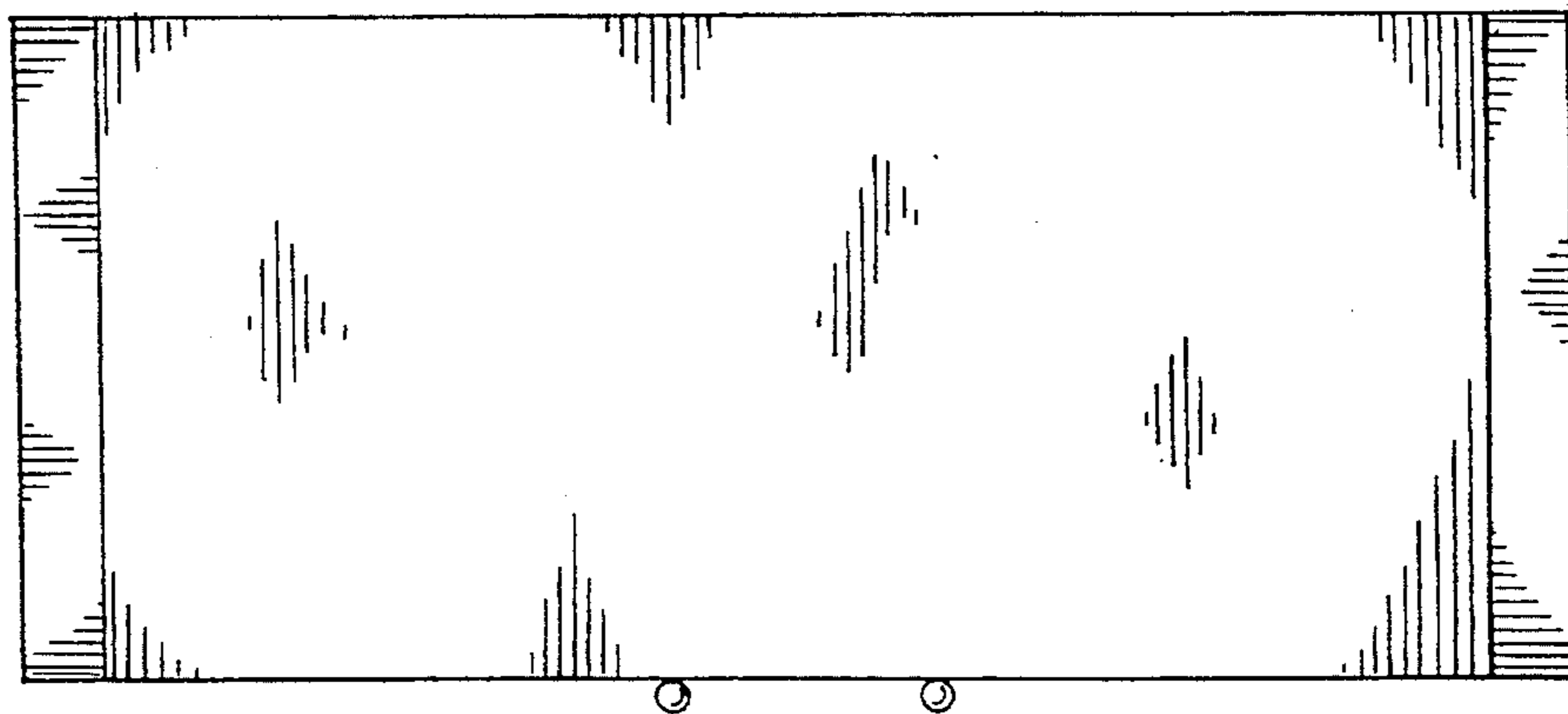


FIG. 3

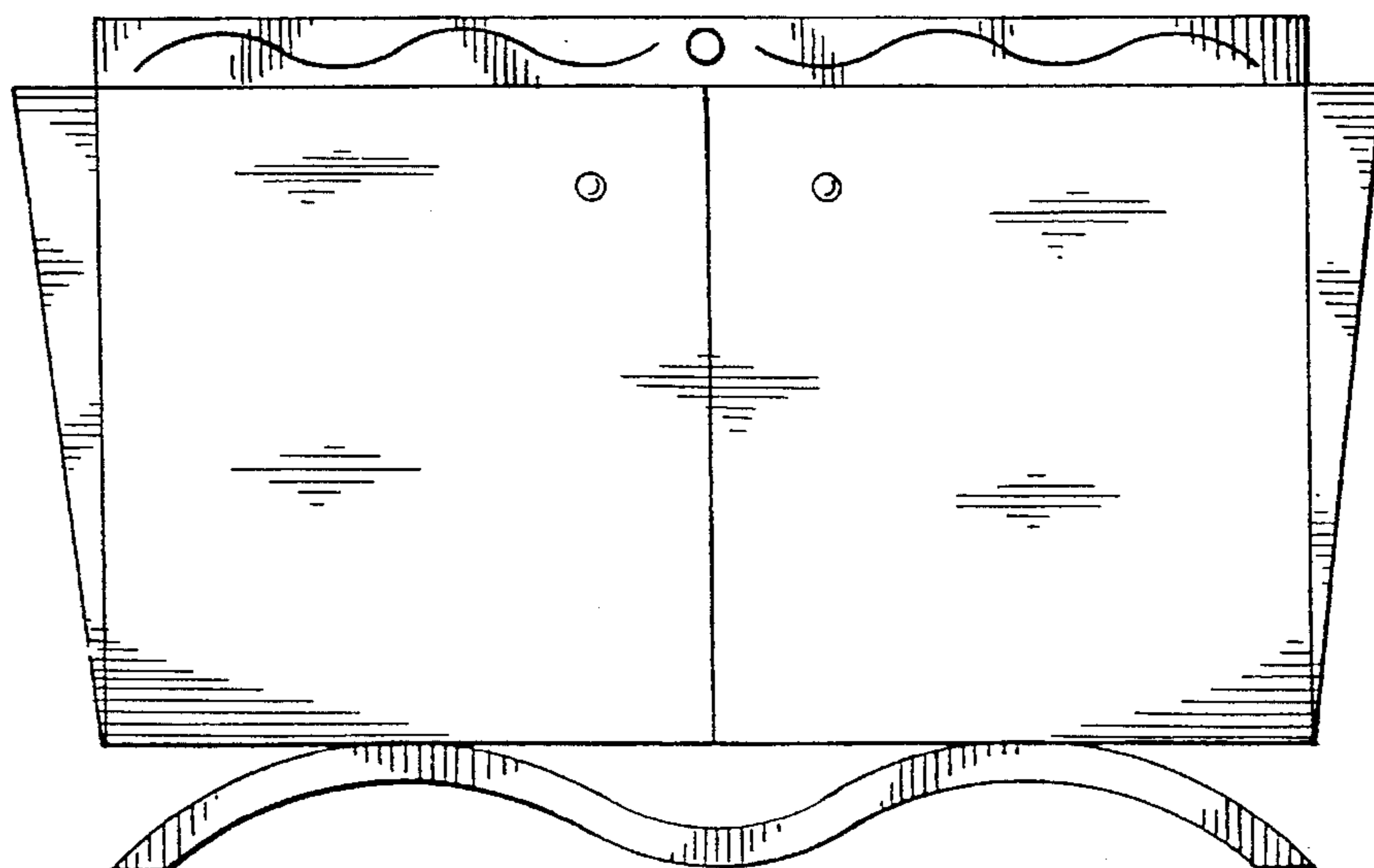


FIG. 4

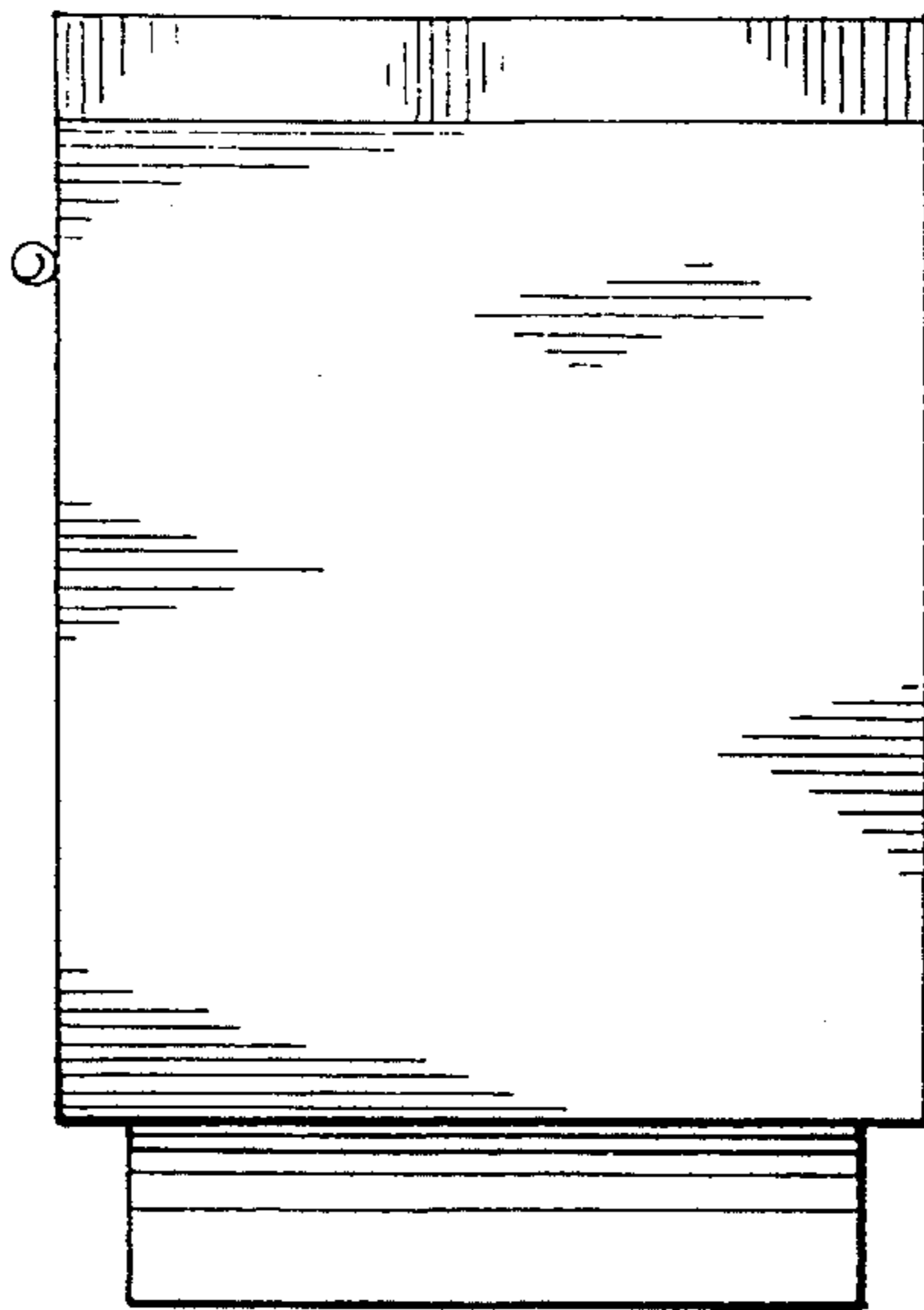


FIG. 5

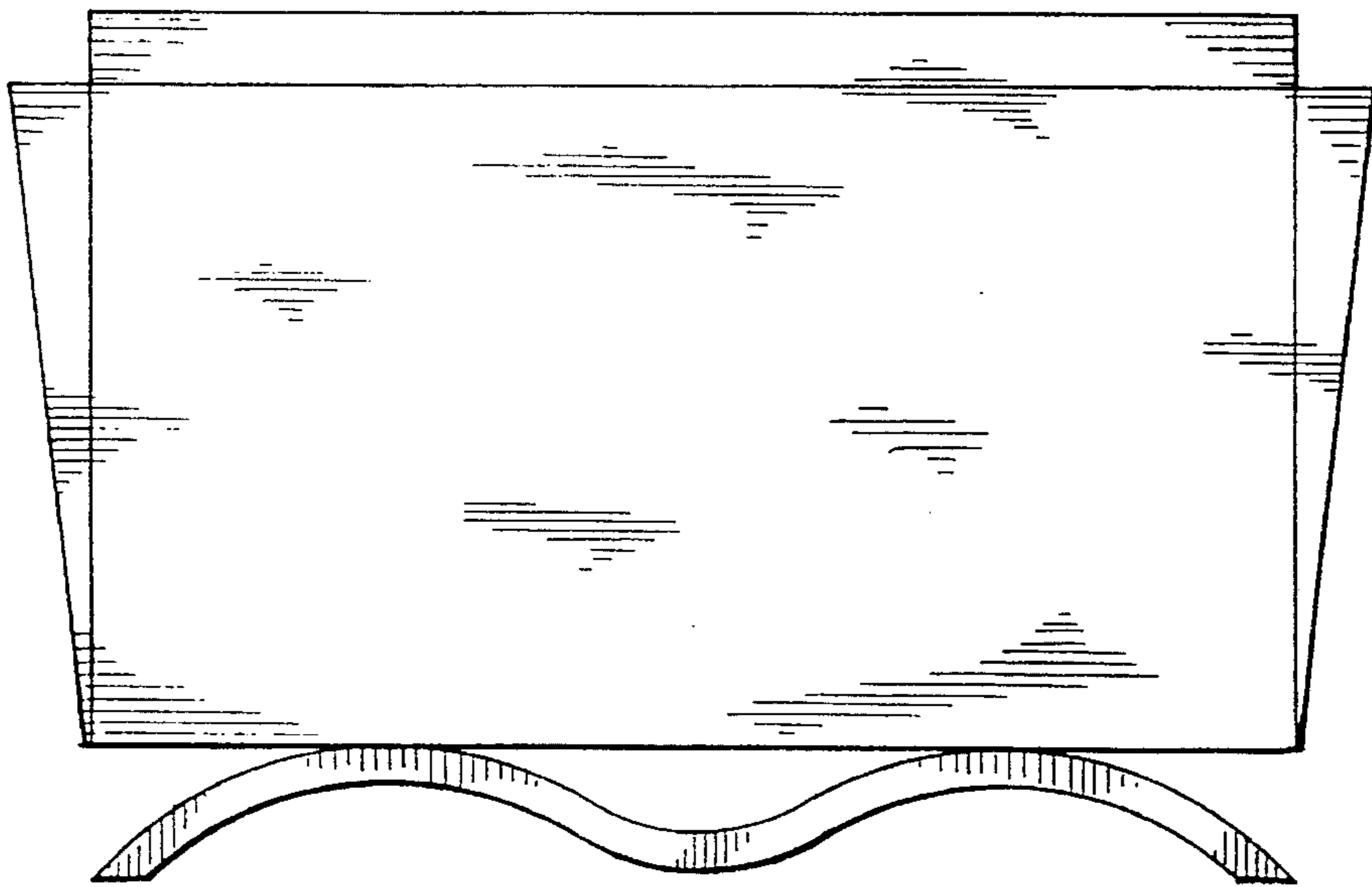


FIG. 6

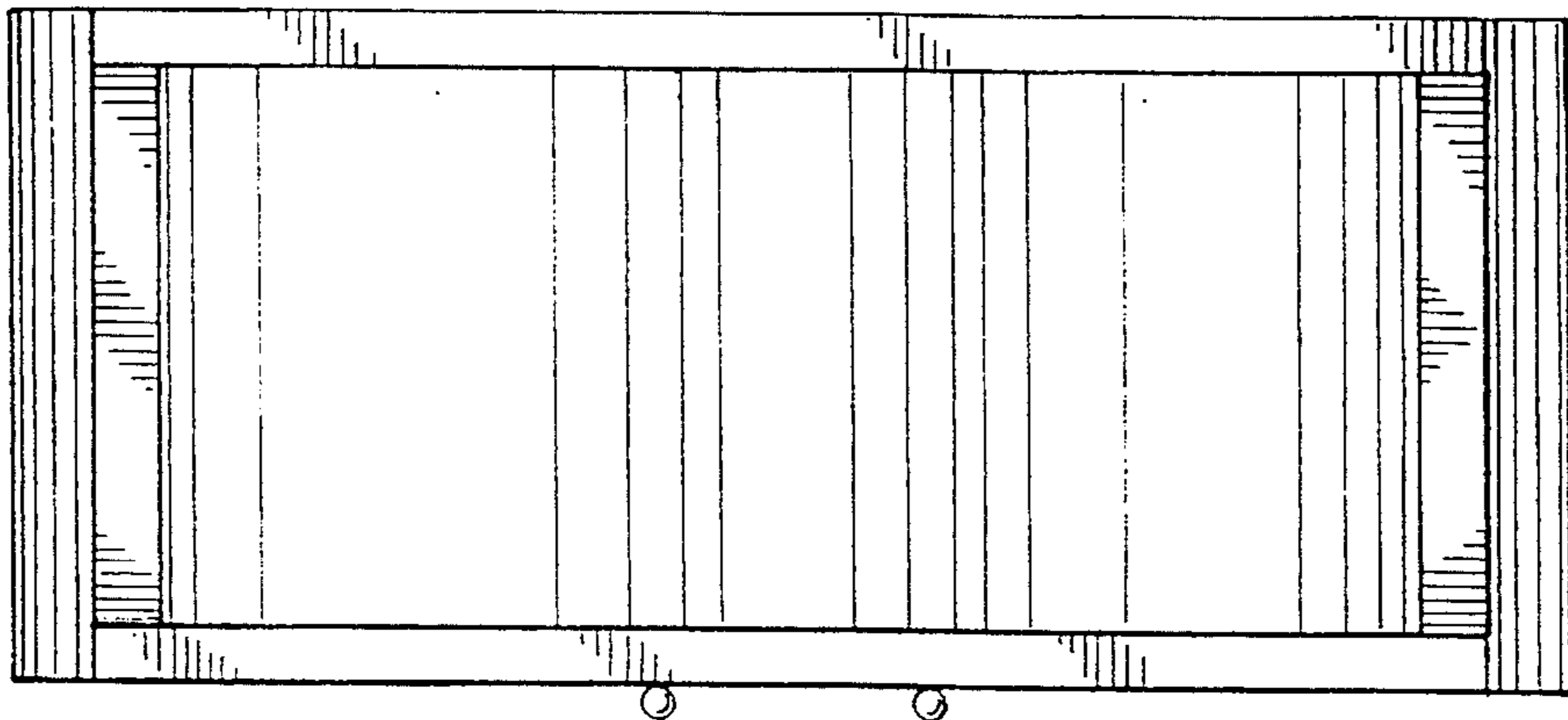




FIG. 7

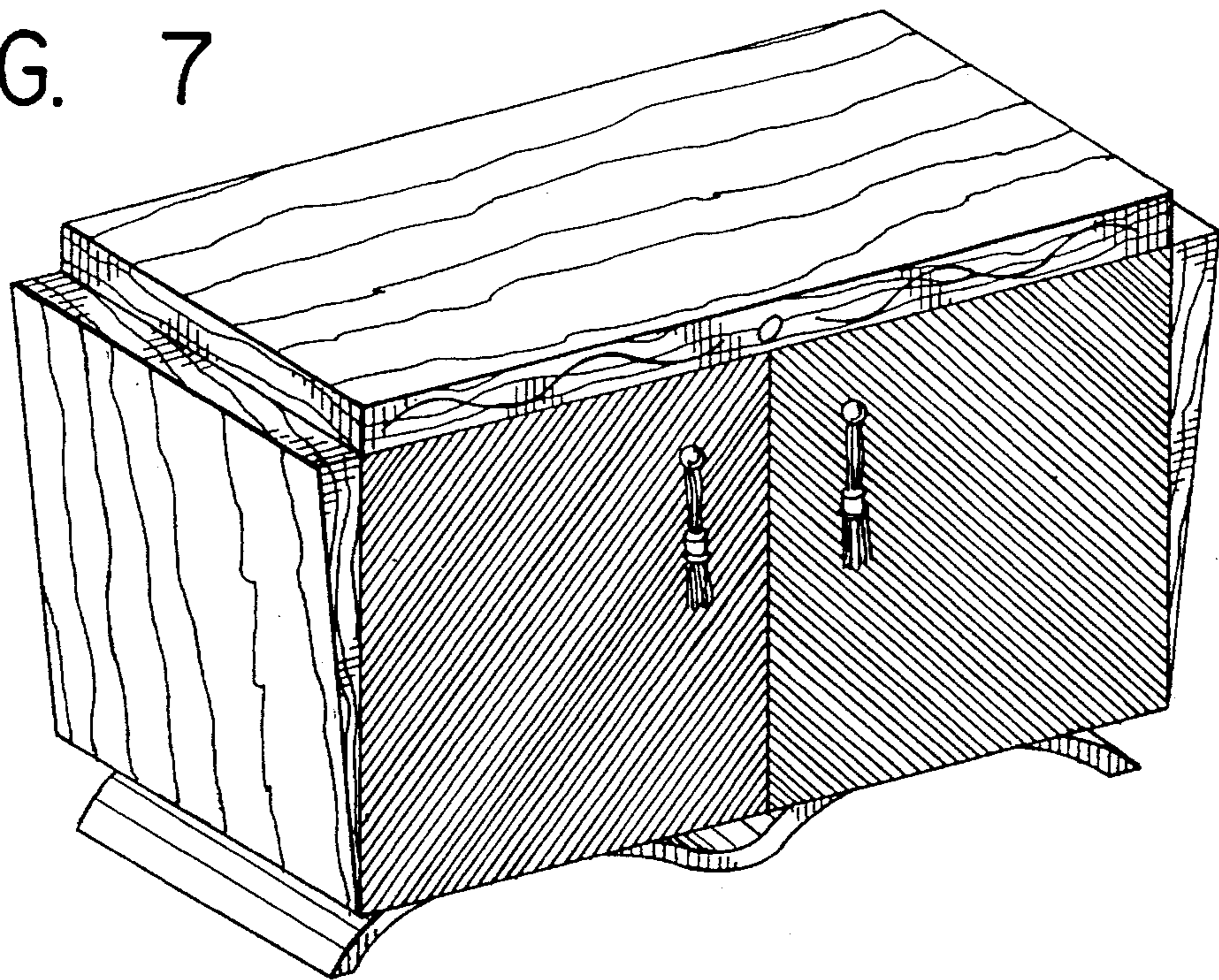


FIG. 8

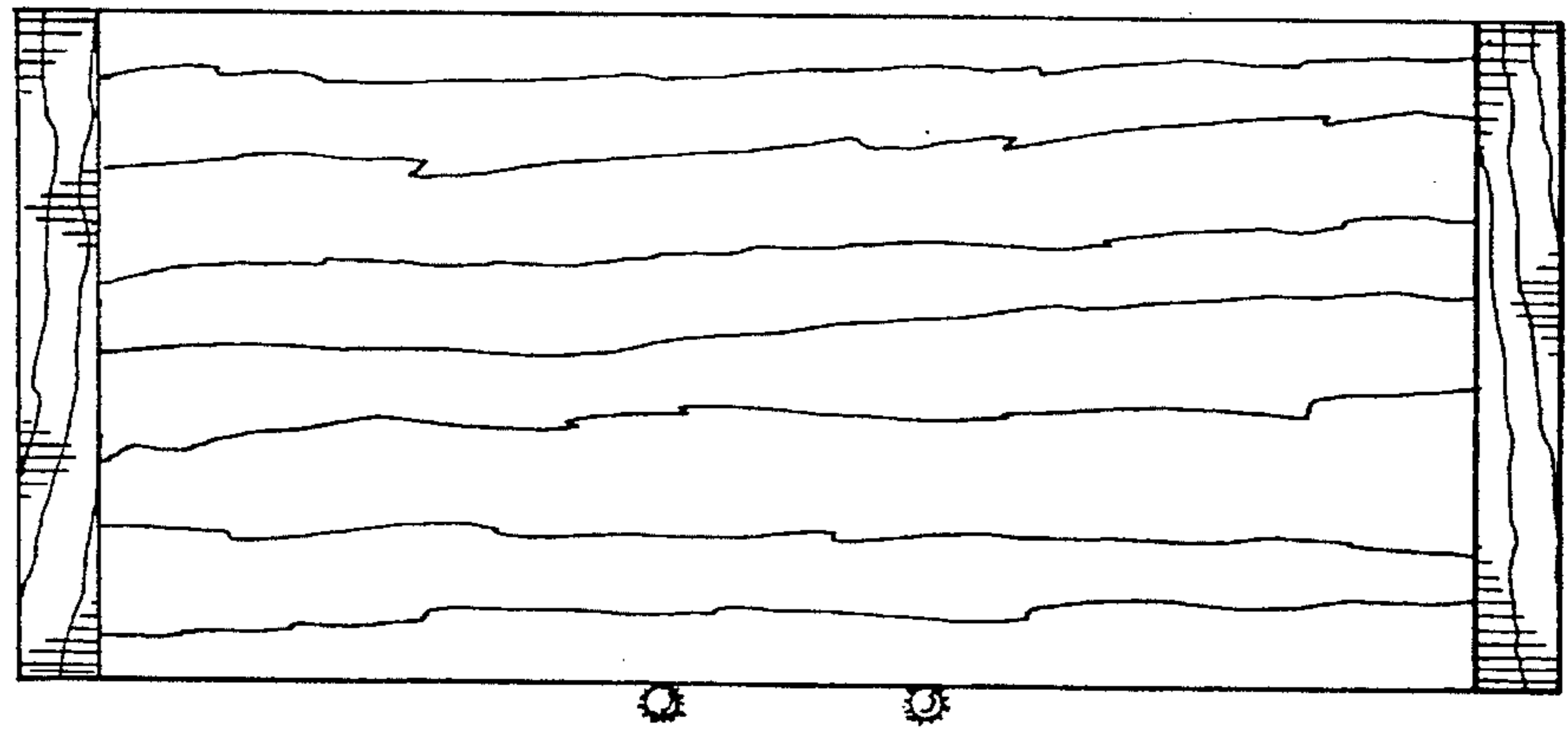


FIG. 9

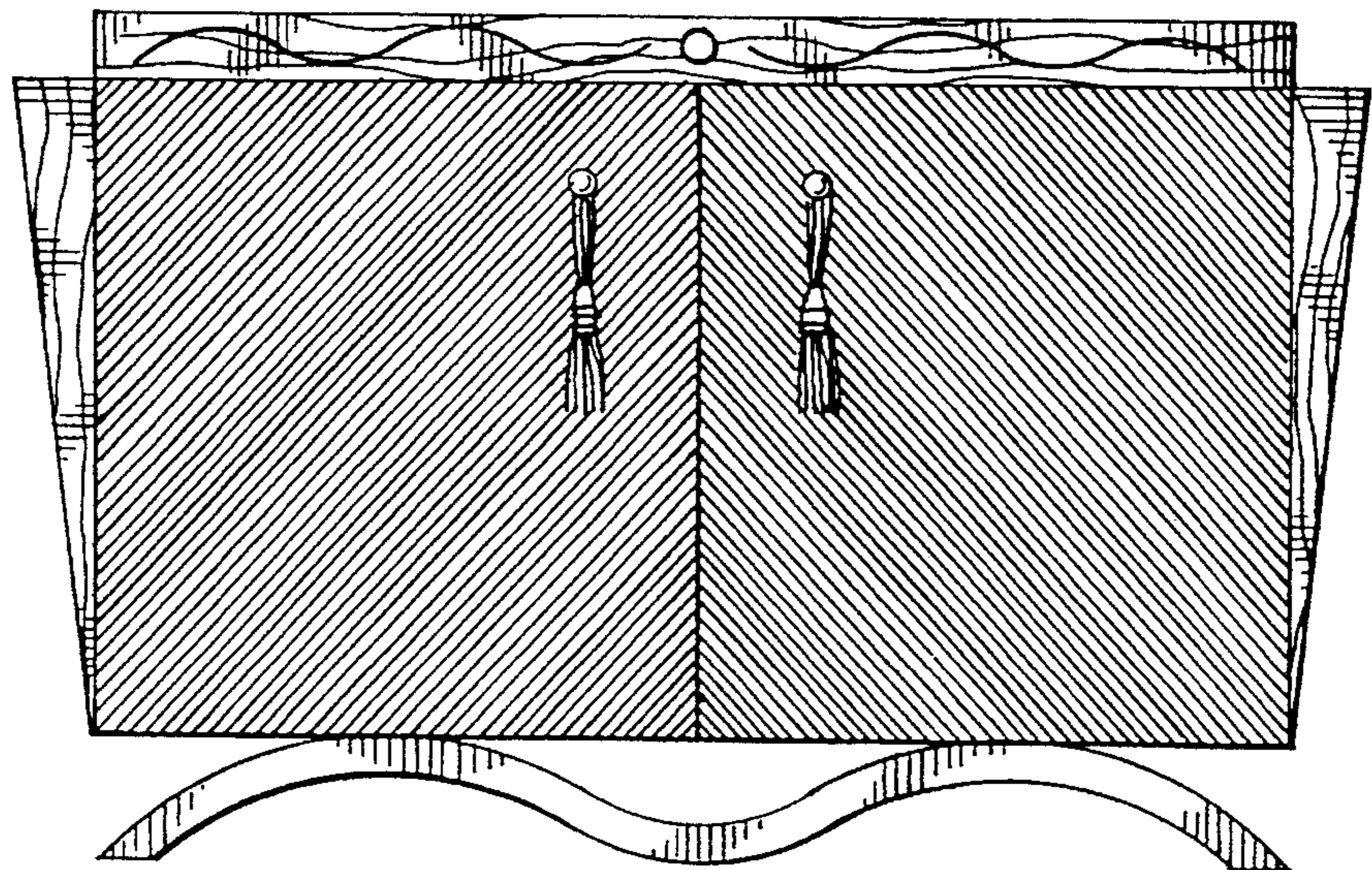


FIG. 10

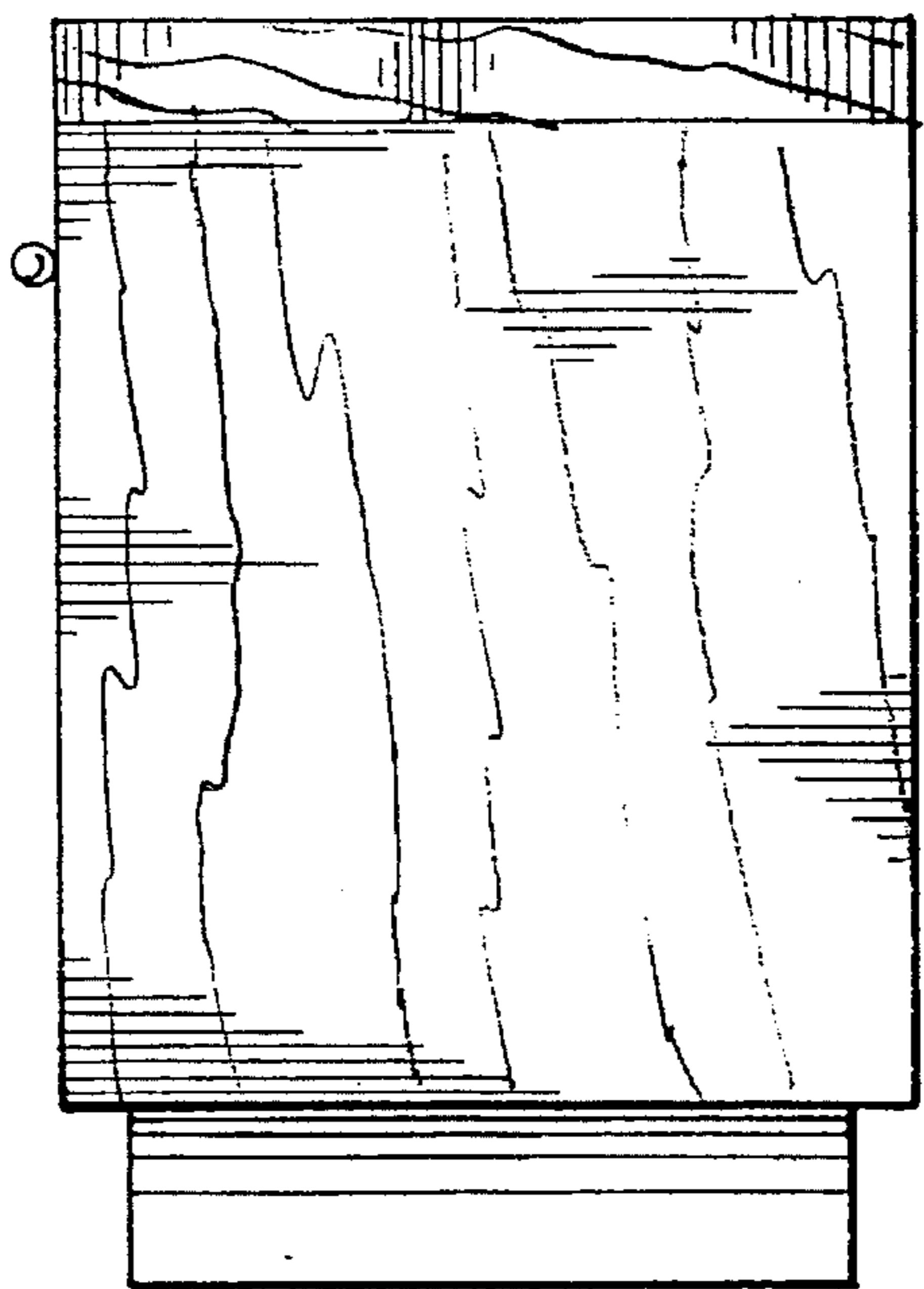


FIG. 11

