



US00D370798S

United States Patent [19]

[11] Patent Number: **Des. 370,798**

Rosen

[45] Date of Patent: ****Jun. 18, 1996**

[54] CABINET

D. 355,084 2/1995 Rosen D6/446
D. 357,371 4/1995 Keller D6/446

[75] Inventor: **Leon Rosen**, Scarsdale, N.Y.

Primary Examiner—Carmen H. Vales-Lado
Attorney, Agent, or Firm—Darby & Darby

[73] Assignee: **The Pace Collection, Inc.**, Long Island City, N.Y.

[57] CLAIM

[**] Term: **14 Years**

The ornamental design for a cabinet, as shown and described.

[21] Appl. No.: **36,798**

DESCRIPTION

[22] Filed: **Mar. 28, 1995**

[52] U.S. Cl. **D6/446**; D6/434

[58] Field of Search D6/432-448, 450,
D6/451, 482; 312/204, 257

FIG. 1 is a top perspective view of a cabinet showing my new design;
FIG. 2 is a front elevational view thereof;
FIG. 3 is a left side elevational view thereof; the right side being a mirror image of the left side shown;
FIG. 4 is a top plan view thereof;
FIG. 5 is a rear elevational view thereof;
FIG. 6 is a bottom plan view thereof; and
FIG. 7 is a perspective view of a second embodiment of the cabinet shown in FIG. 1, the wavy lines on the cabinet represent wood grain;
FIG. 8 is a front elevational view thereof; and,
FIG. 9 is a left side elevational view, the right side being a mirror image.

[56] References Cited

U.S. PATENT DOCUMENTS

D. 127,831	6/1941	Pahlmann	D6/446 X
D. 150,824	9/1948	Buckner	D6/437
D. 152,585	2/1949	Ben-Ari	D6/446
D. 177,724	5/1956	Gaines	D6/437
D. 221,341	8/1971	Levin	D6/446
D. 243,904	4/1977	Carter	D6/446
D. 244,111	4/1977	Friedman	D6/446
D. 300,487	4/1989	Dyer	D6/446
D. 325,831	5/1992	Rosen	D6/446

1 Claim, 4 Drawing Sheets

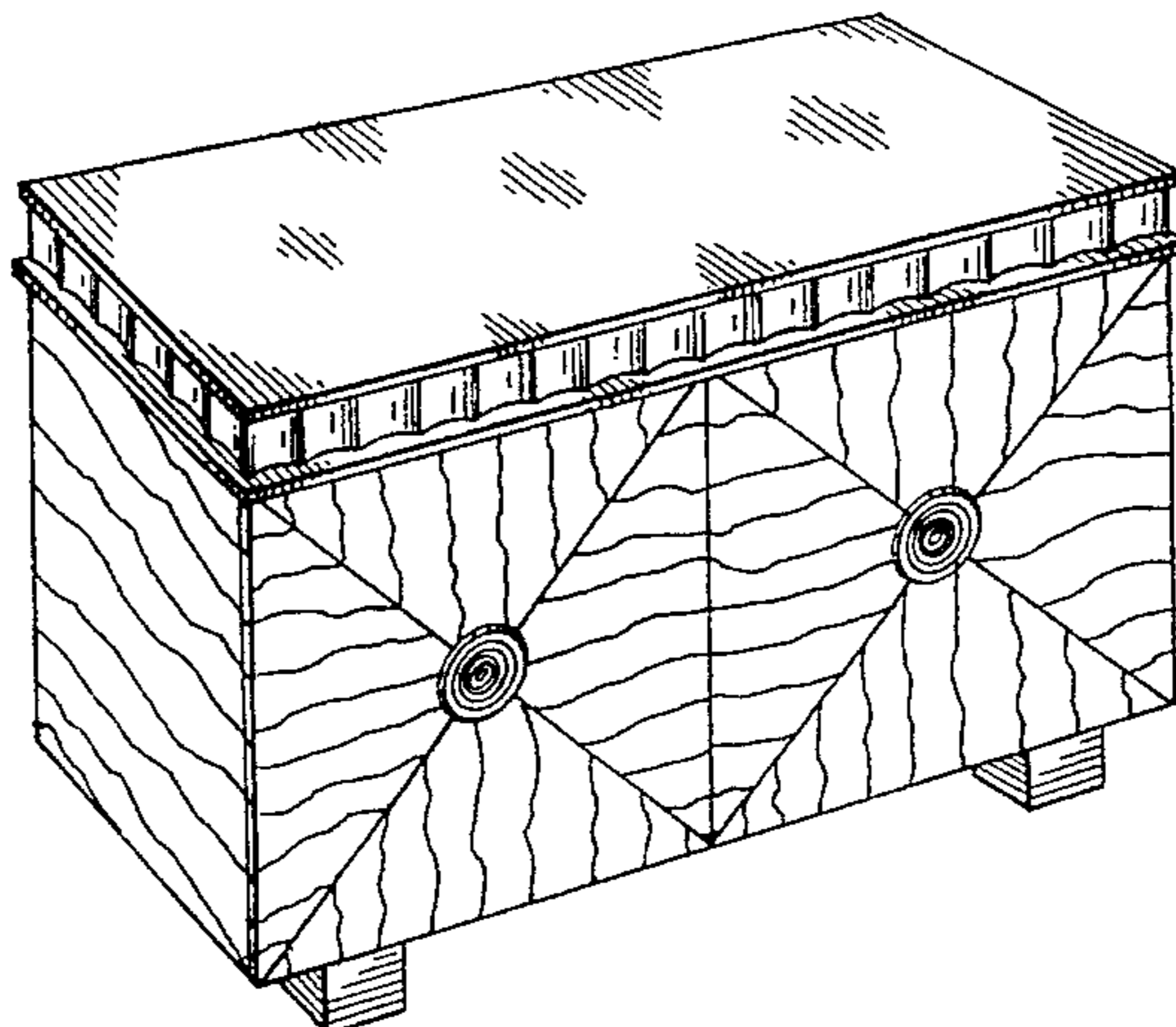
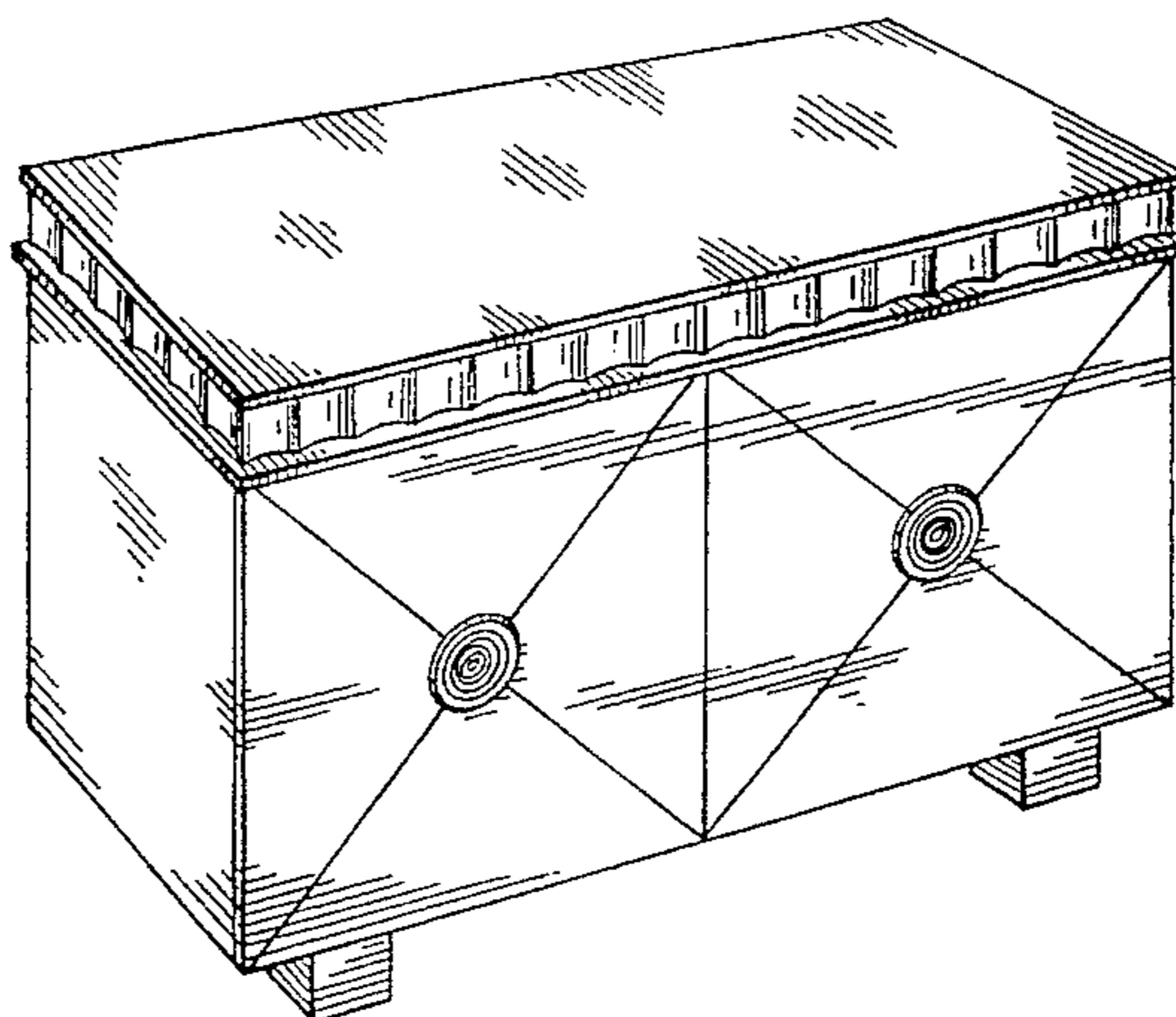


FIG. 1

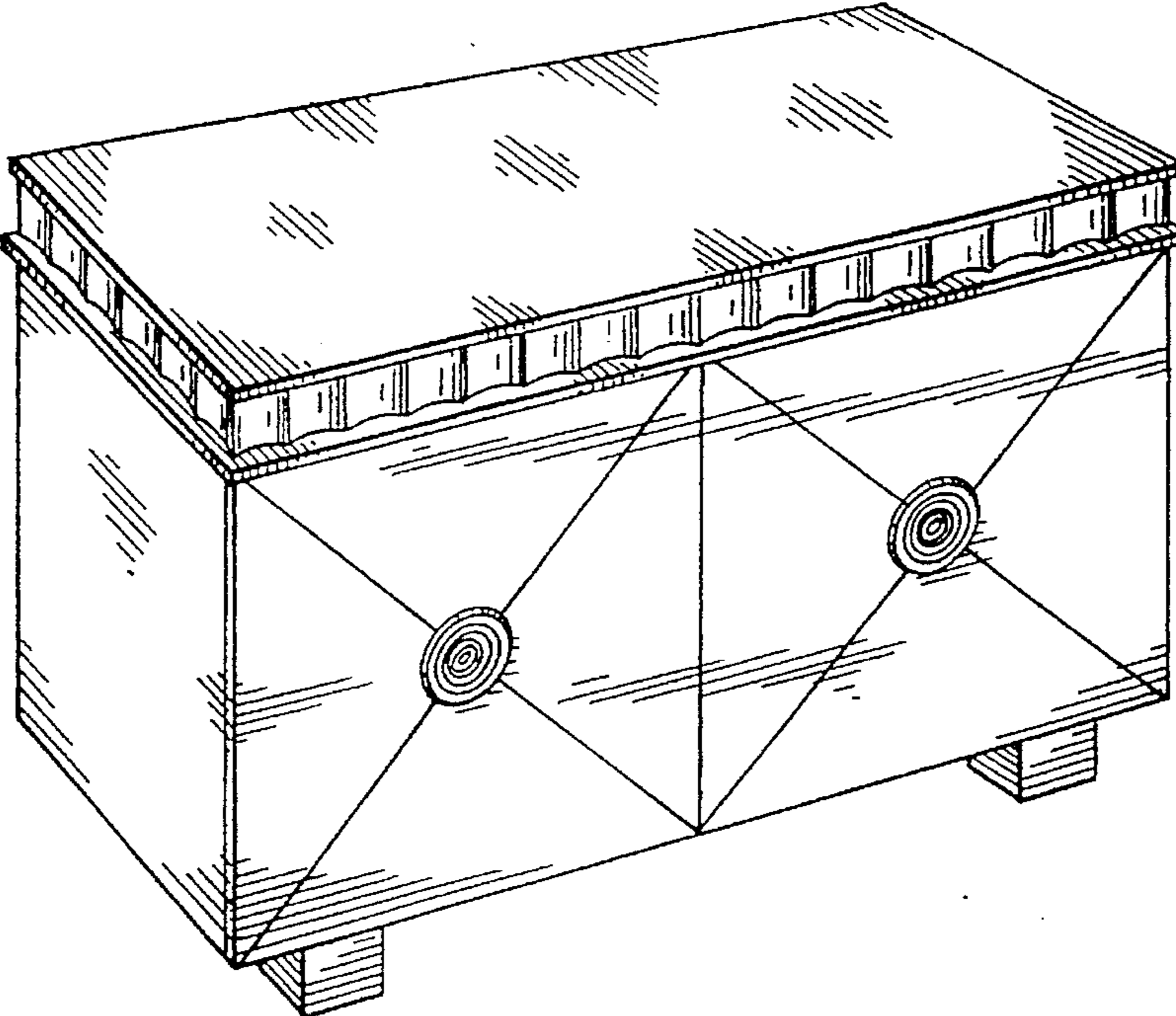


FIG. 2

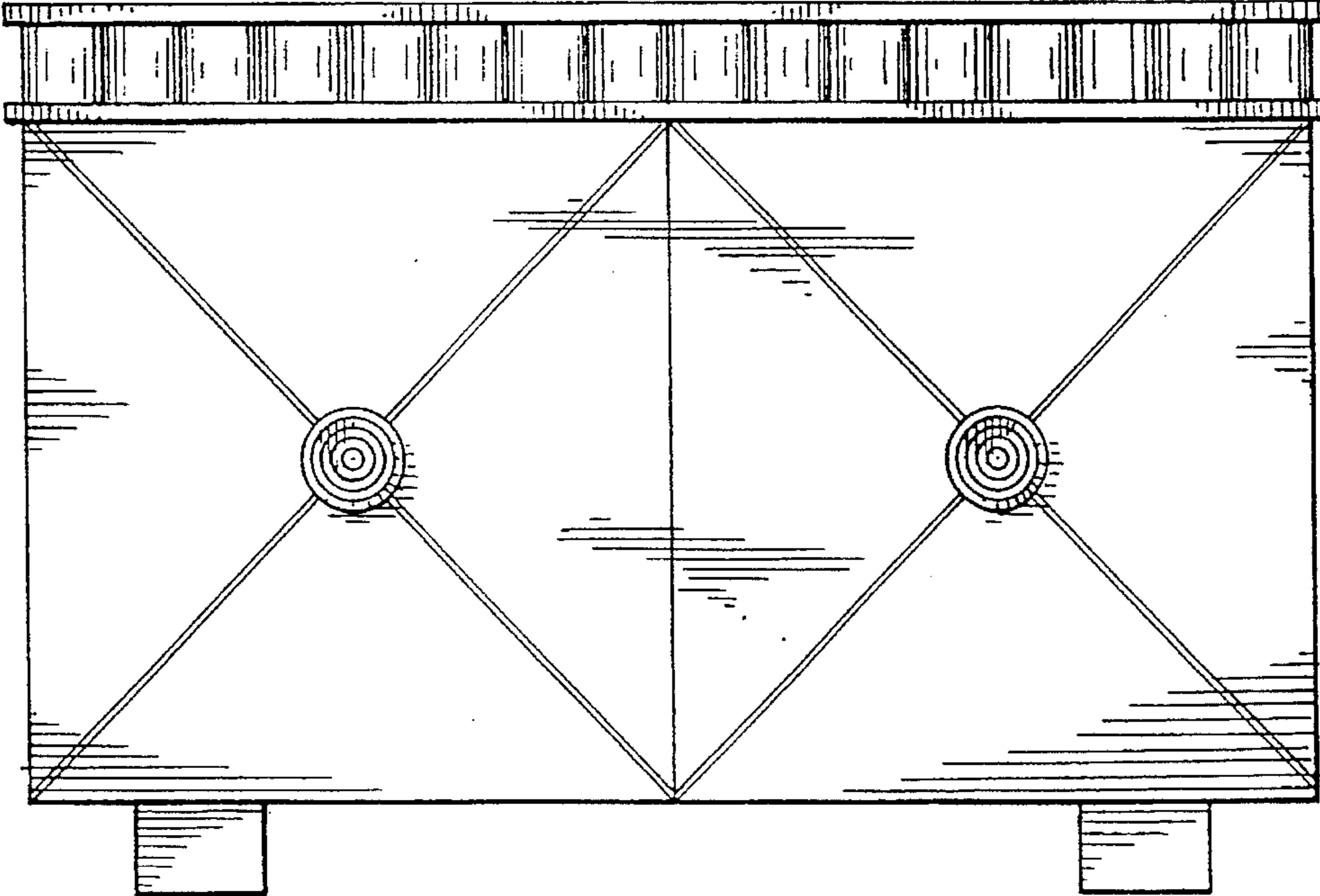


FIG. 3

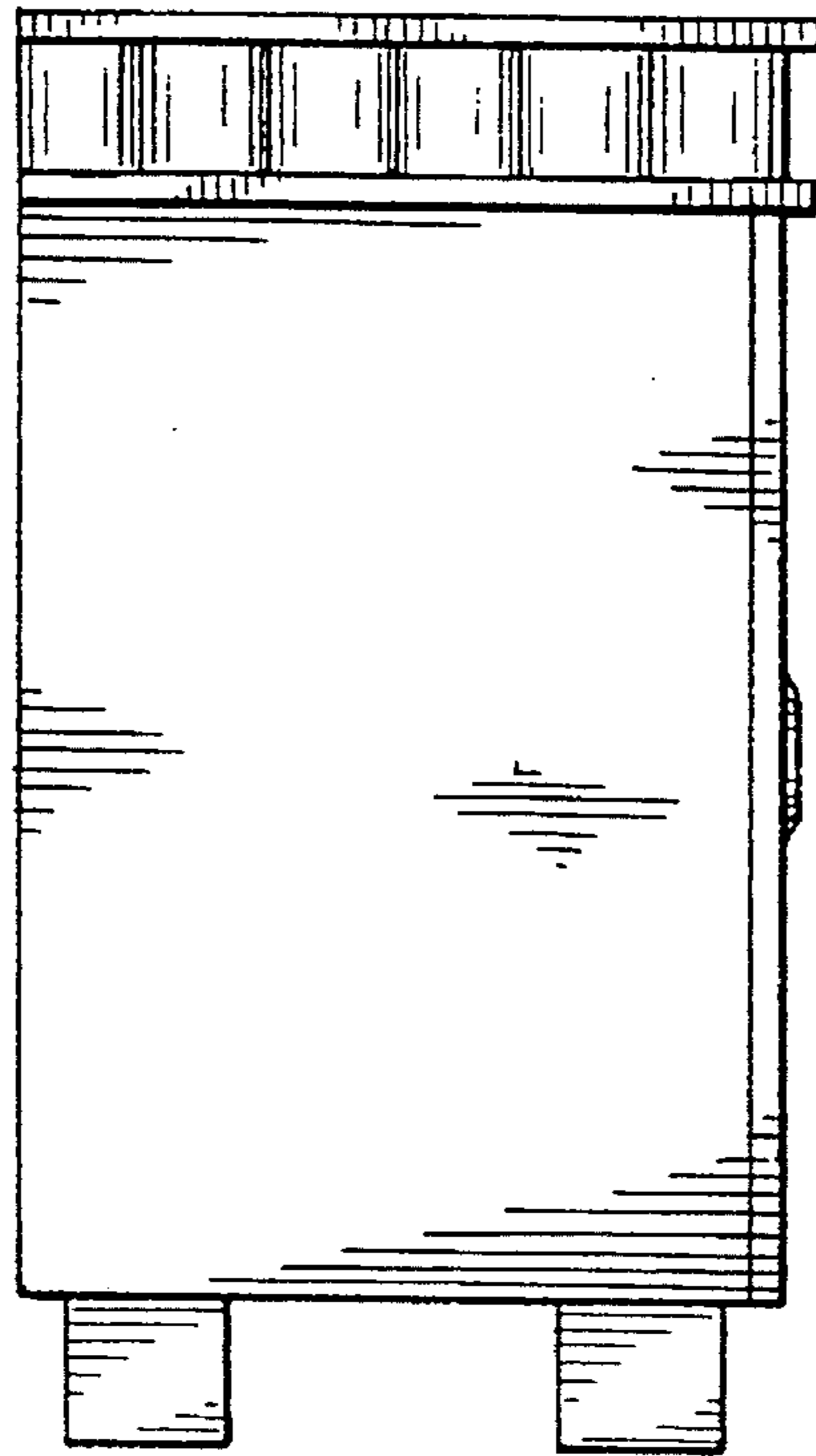


FIG. 4

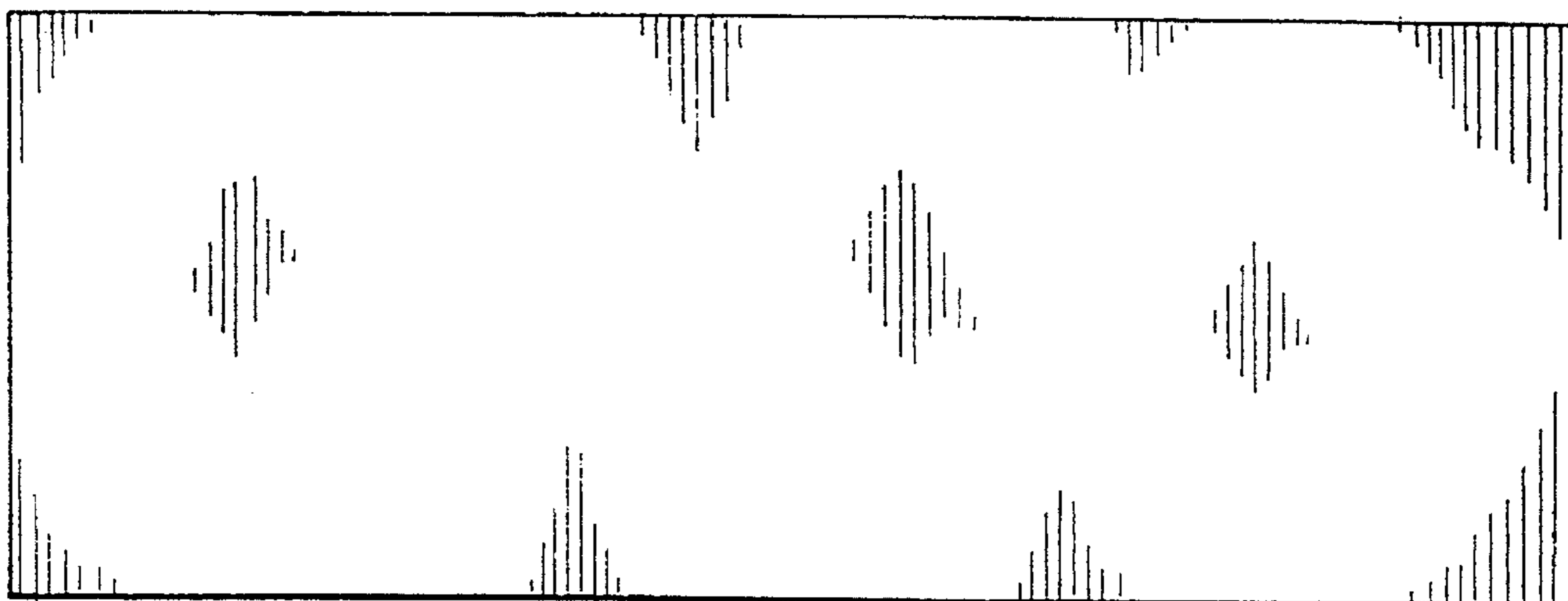


FIG. 5

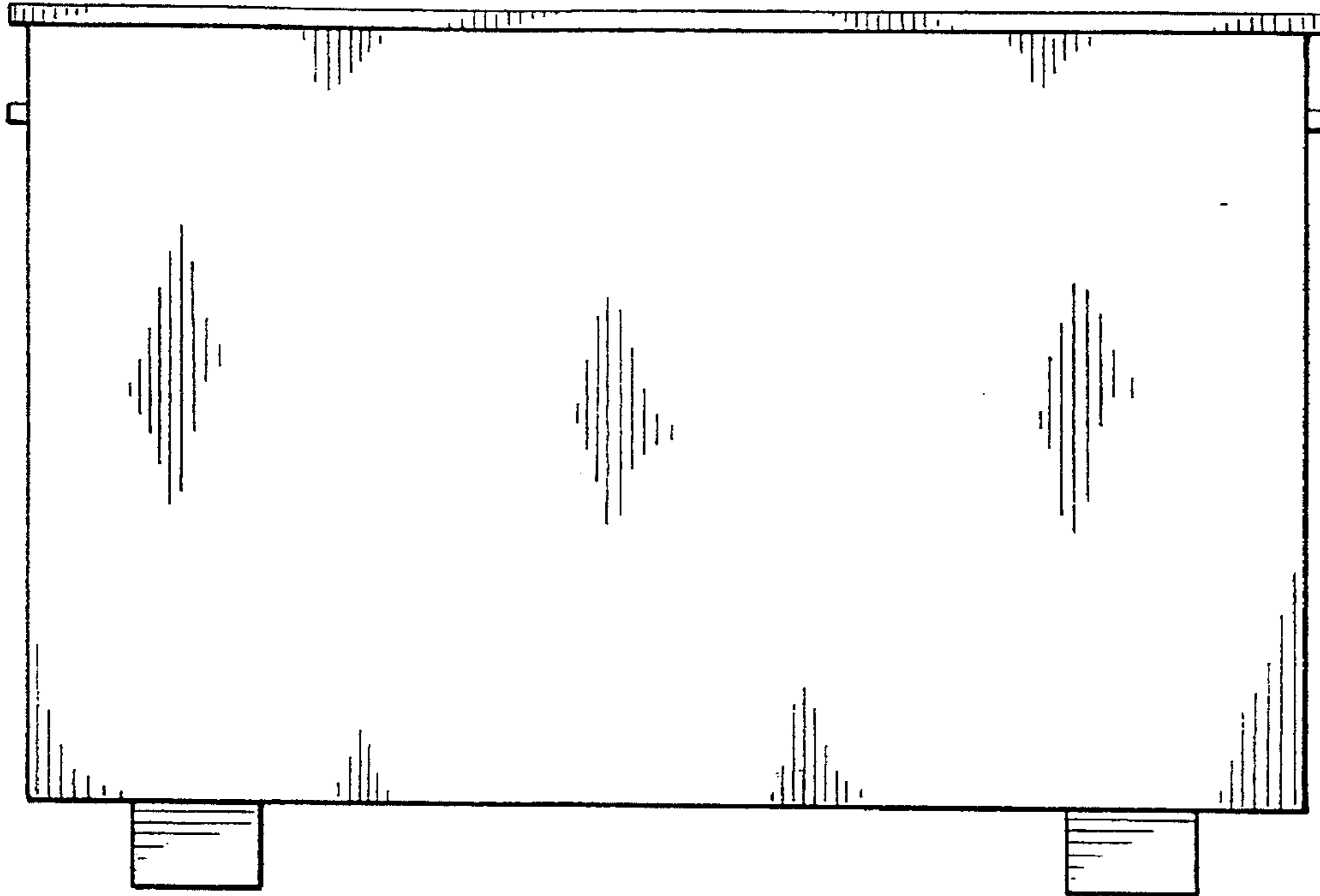


FIG. 6

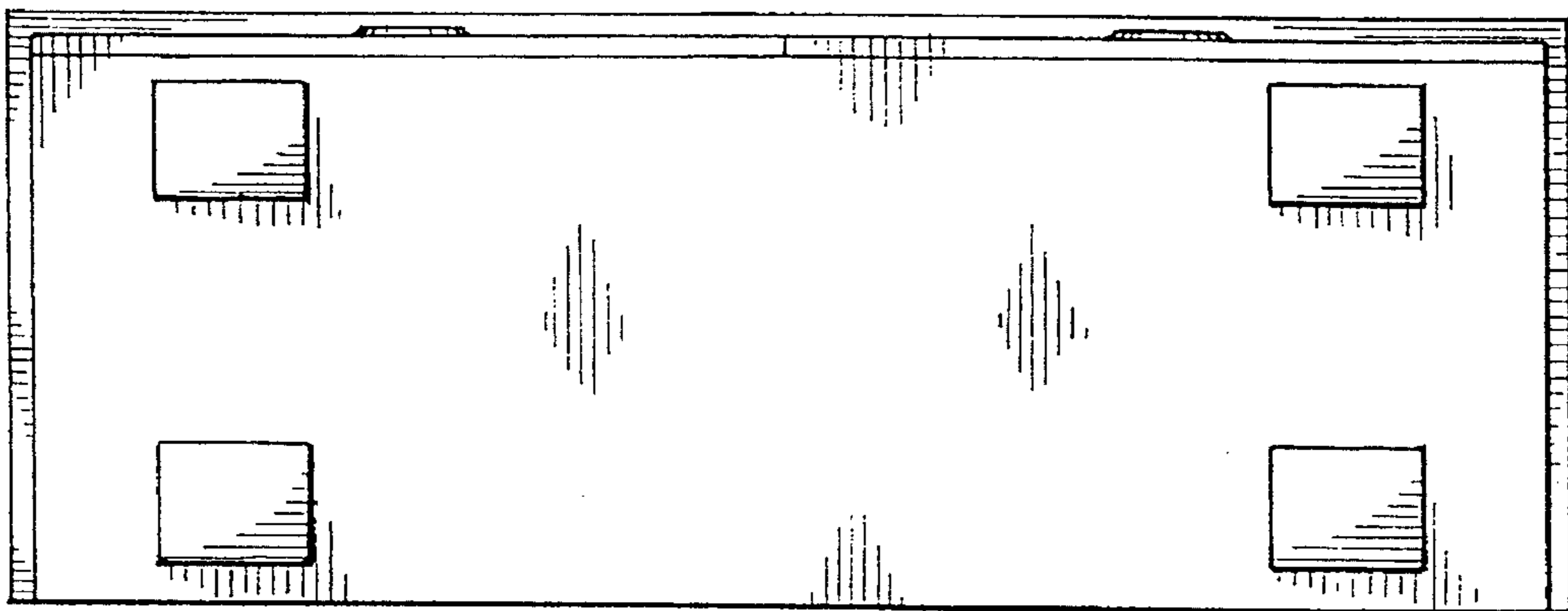


FIG. 7

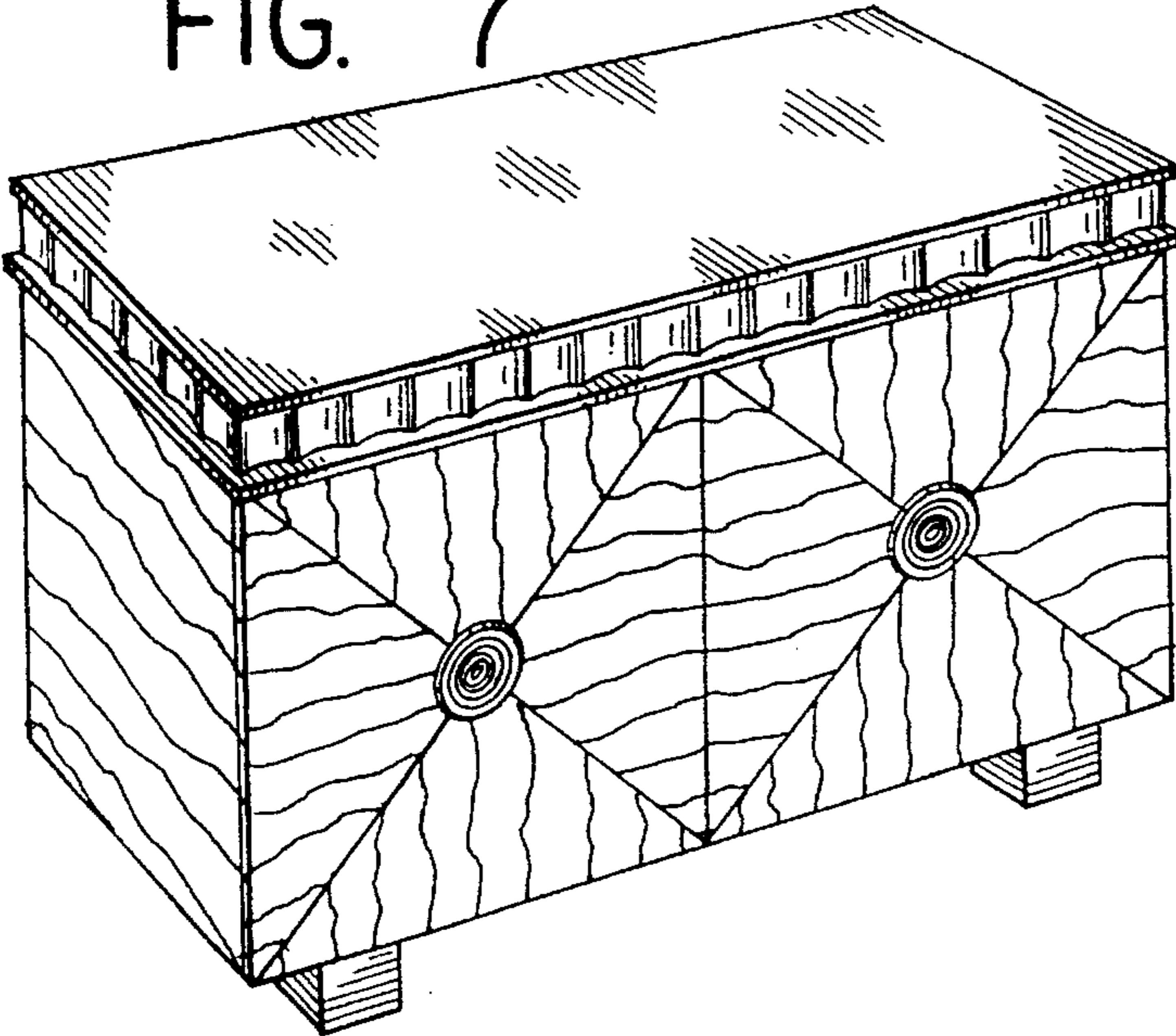


FIG. 9

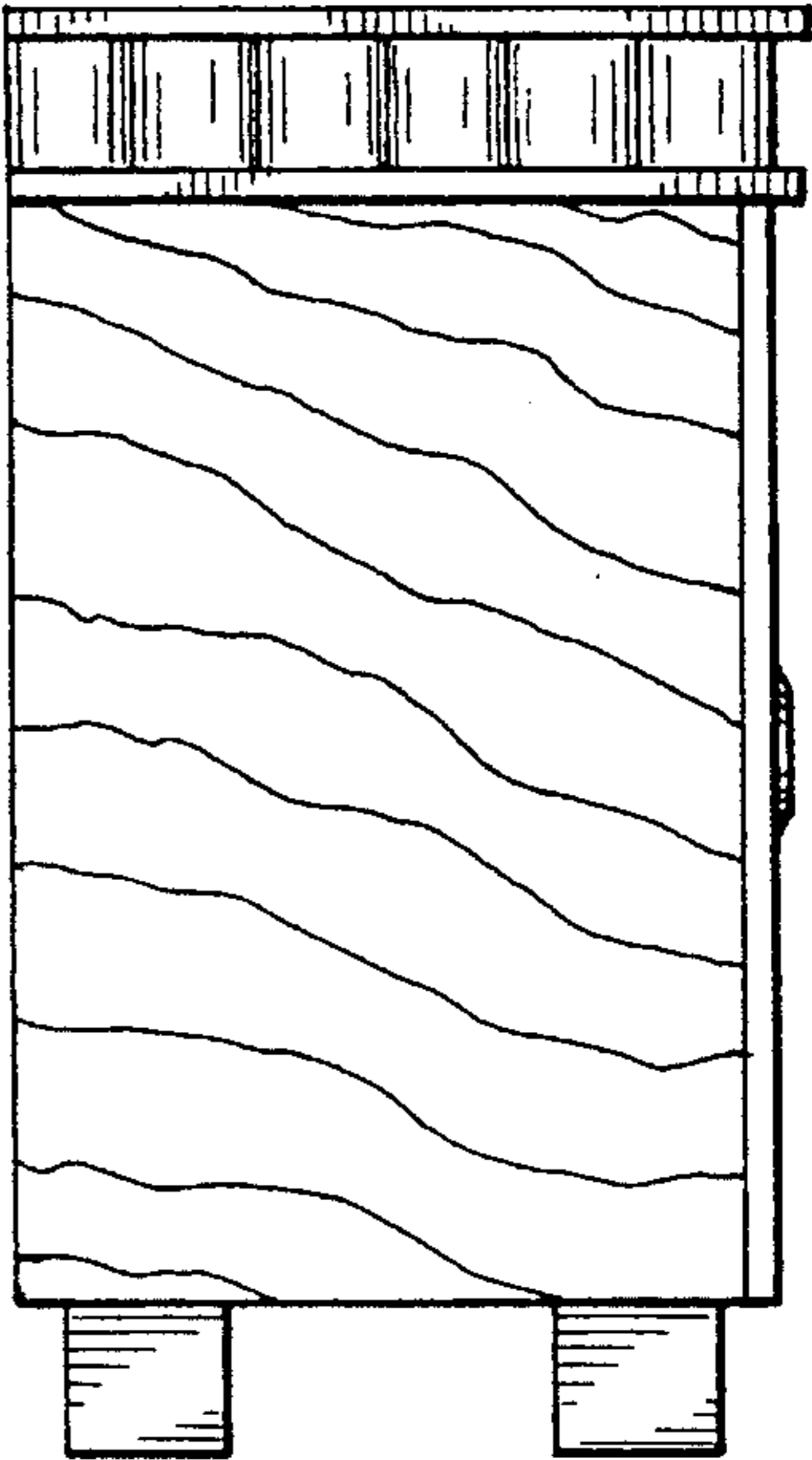


FIG. 8

