



US00D370795S

United States Patent [19]

[11] Patent Number: **Des. 370,795**

Skov et al.

[45] Date of Patent: ****Jun. 18, 1996**

[54] WORK TABLE

[75] Inventors: **Erik L. Skov**, Wooster; **Stacy L. Wolff**, Akron, both of Ohio

[73] Assignee: **Rubbermaid Incorporated**, Wooster, Ohio

[**] Term: **14 Years**

[21] Appl. No.: **17,329**

[22] Filed: **Jan. 11, 1994**

[52] U.S. Cl. **D6/420**

[58] Field of Search D6/396, 397, 419-428, D6/449, 310-314; 108/1, 5, 6

[56] References Cited

U.S. PATENT DOCUMENTS

D. 226,999	5/1973	Jessen	D6/156
D. 295,474	5/1988	Uredat-Neuhoff	D6/484
D. 306,105	2/1990	Newhouse	D6/420
D. 311,753	10/1990	Westland, et al.	D18/23
D. 318,768	8/1991	Westland et al.	D6/422
D. 327,790	7/1992	Sharar	D6/429
D. 330,573	10/1992	Monneret	D6/420 X
D. 346,287	4/1994	Rosen	D6/429
D. 354,400	1/1995	Cacciola	D6/311
943,794	12/1909	Schranner .	
2,692,175	10/1954	Jacques	311/80
3,756,166	9/1973	Piretti	108/6
4,099,469	7/1978	Sahli	108/1
4,196,675	4/1980	Cook	108/6
4,681,042	7/1987	Roberts	108/6

OTHER PUBLICATIONS

P. 219, Tables; Inmac, 2465 Augustine Drive, P. O. Box 58031, Santa Clara, CA 95052-8031. Publication date Winter/Spring 1992.

Catalog page, Desk; Step 2 Corporation, Twinsburg, Ohio. Publication date 1993.

Pp. 118 and 120, Bench and table; The Little Tikes Company, 2180 Barlow Road, Hudson, Ohio 44236. Publication date 1992.

Catalog page, Desk; Rubbermaid Incorporated, 1147 Akron Road, Wooster, OH 44691. Publication date 1992.

Primary Examiner—Nelson C. Holtje

Assistant Examiner—S. Snapp

Attorney, Agent, or Firm—Richard B. O'Planick; Lisa B. Riedesel

[57] CLAIM

The ornamental design for a work table, as shown and described.

DESCRIPTION

FIG. 1 is a top right front perspective view of a work table showing our new design;

FIG. 2 is a front elevational view thereof;

FIG. 3 is a right side elevational view thereof; the left side elevational view being a mirror image;

FIG. 4 is a rear elevational view thereof;

FIG. 5 is a bottom plan view thereof;

FIG. 6 is a top plan view thereof; and,

FIG. 7 is a rear perspective view thereof.

1 Claim, 4 Drawing Sheets

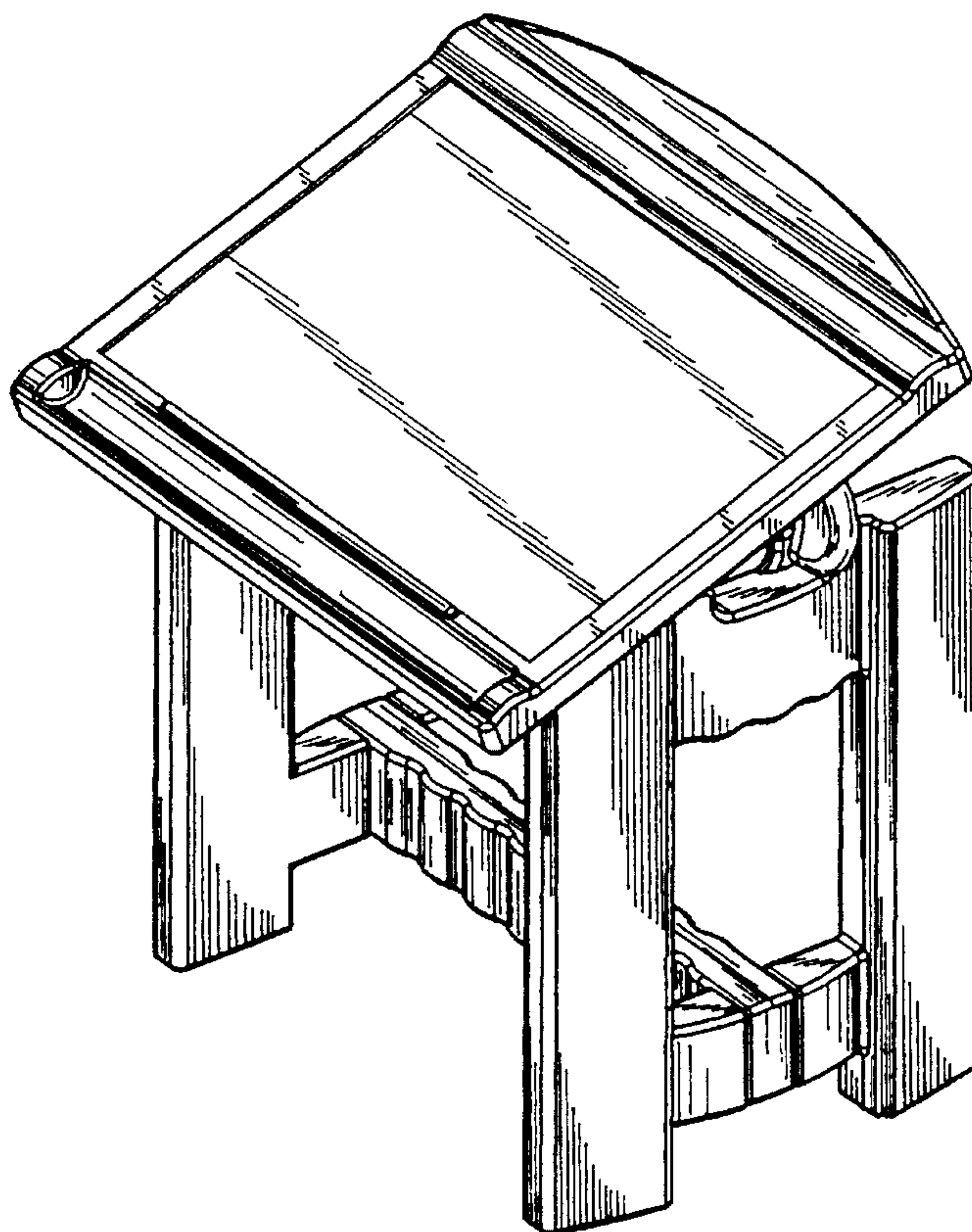


FIG. 1

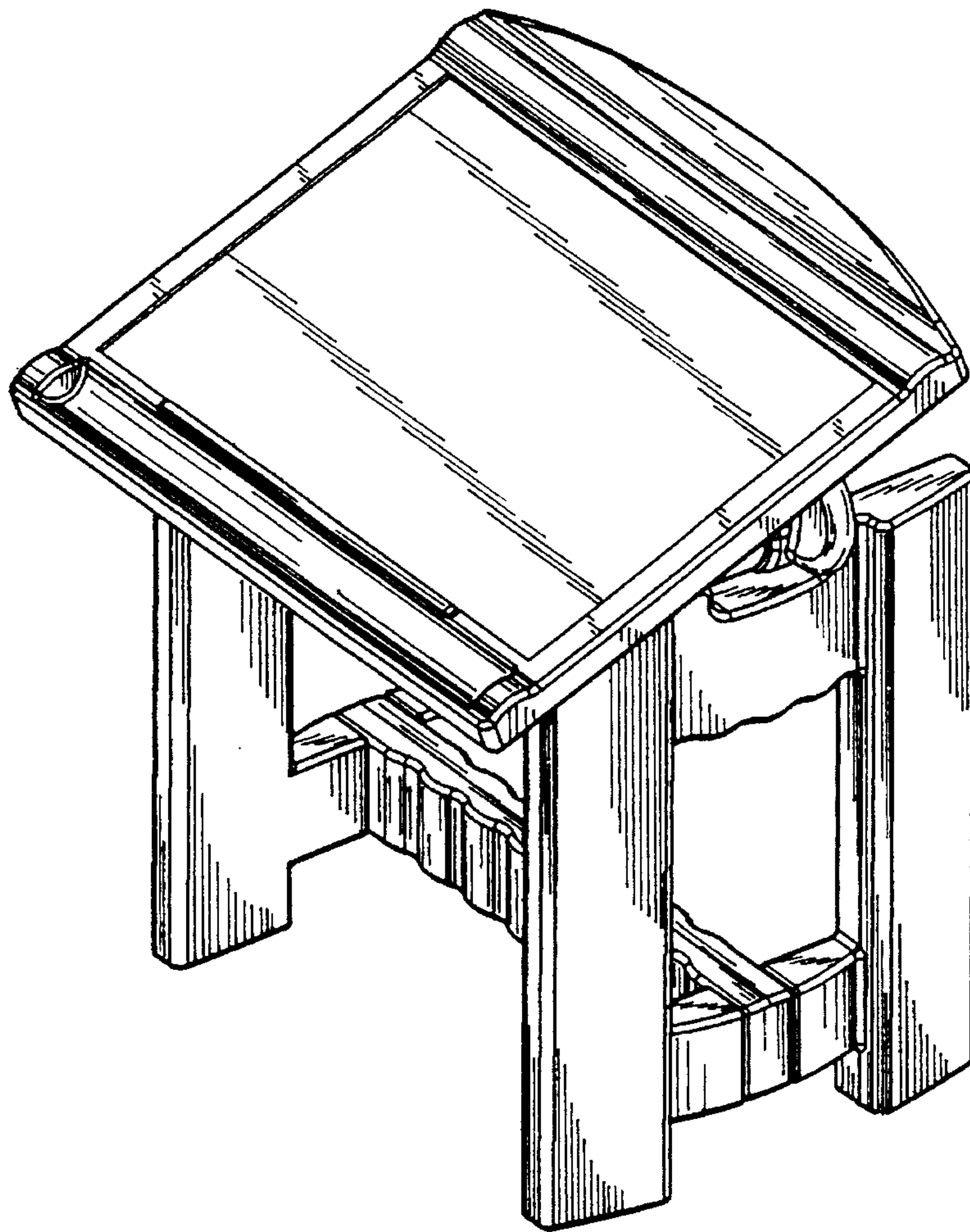


FIG. 6

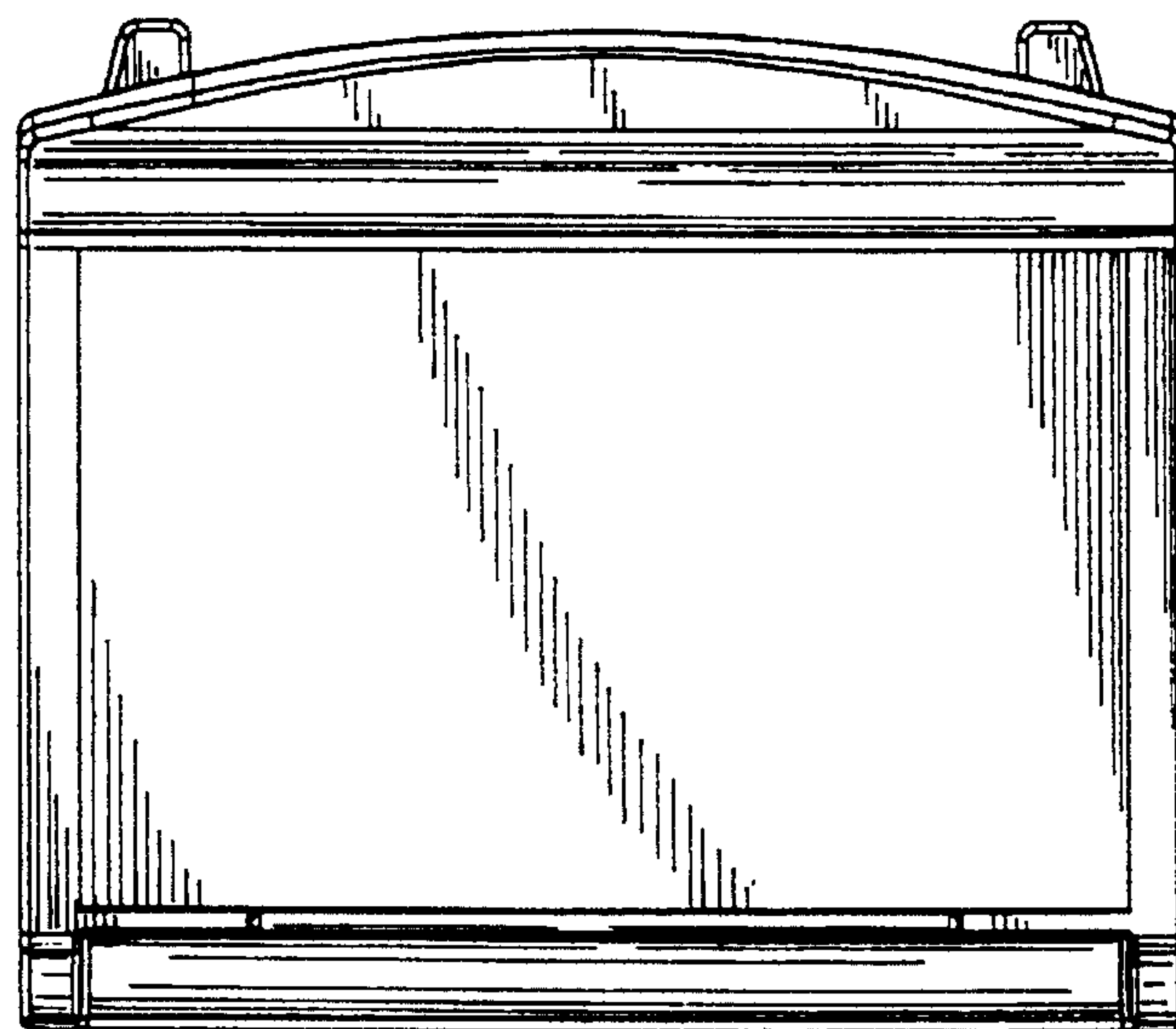


FIG. 2

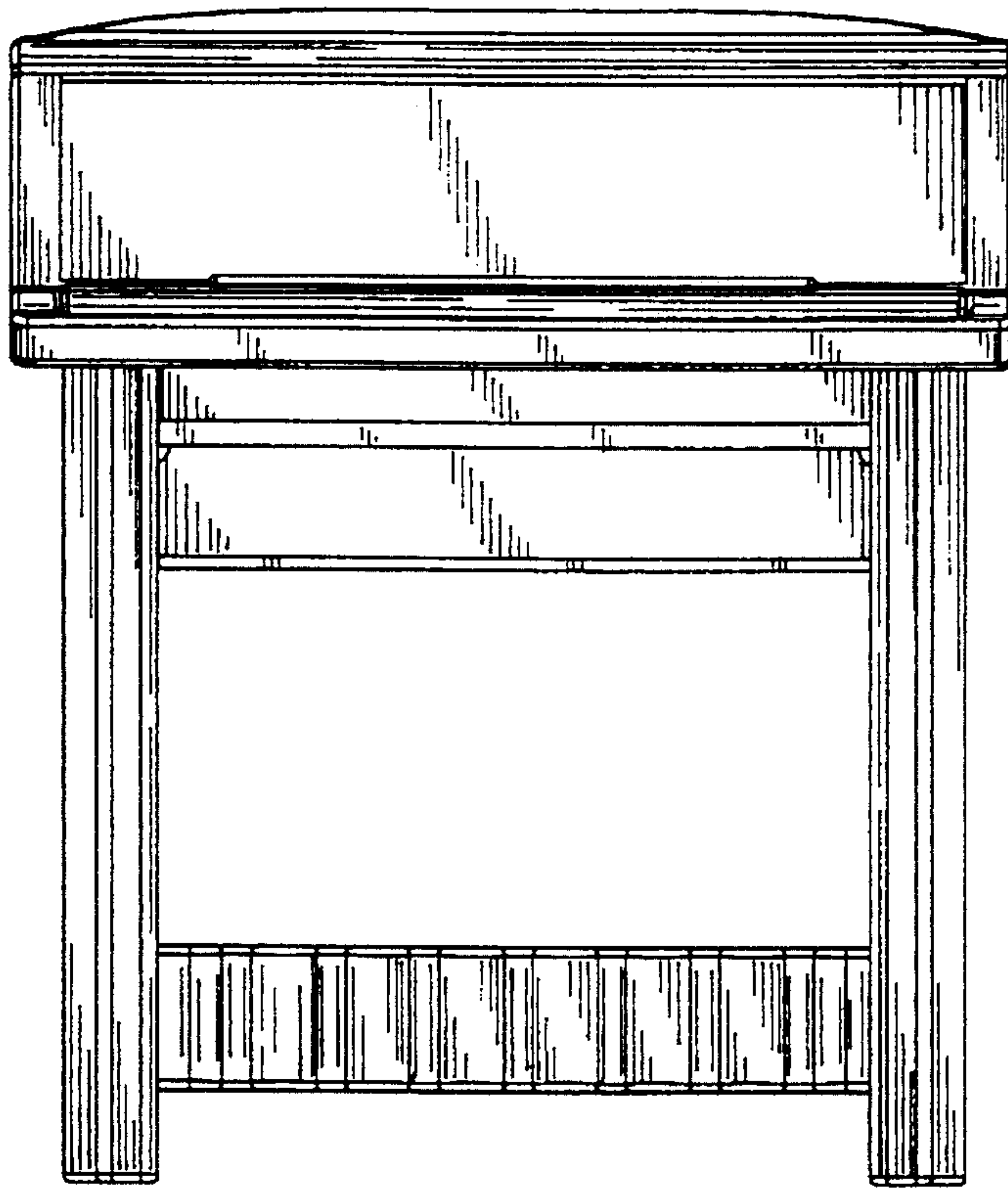


FIG. 5

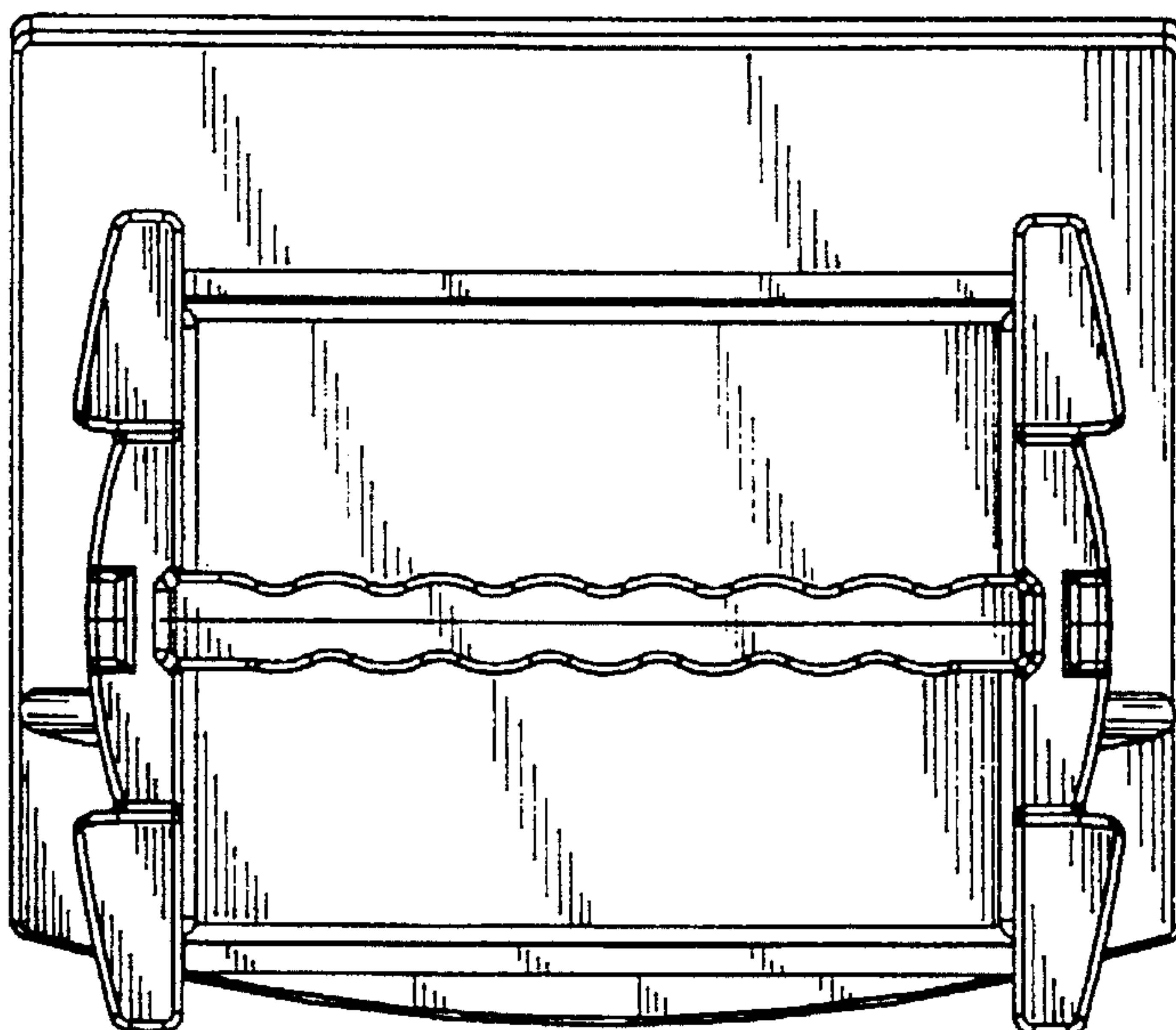


FIG. 4

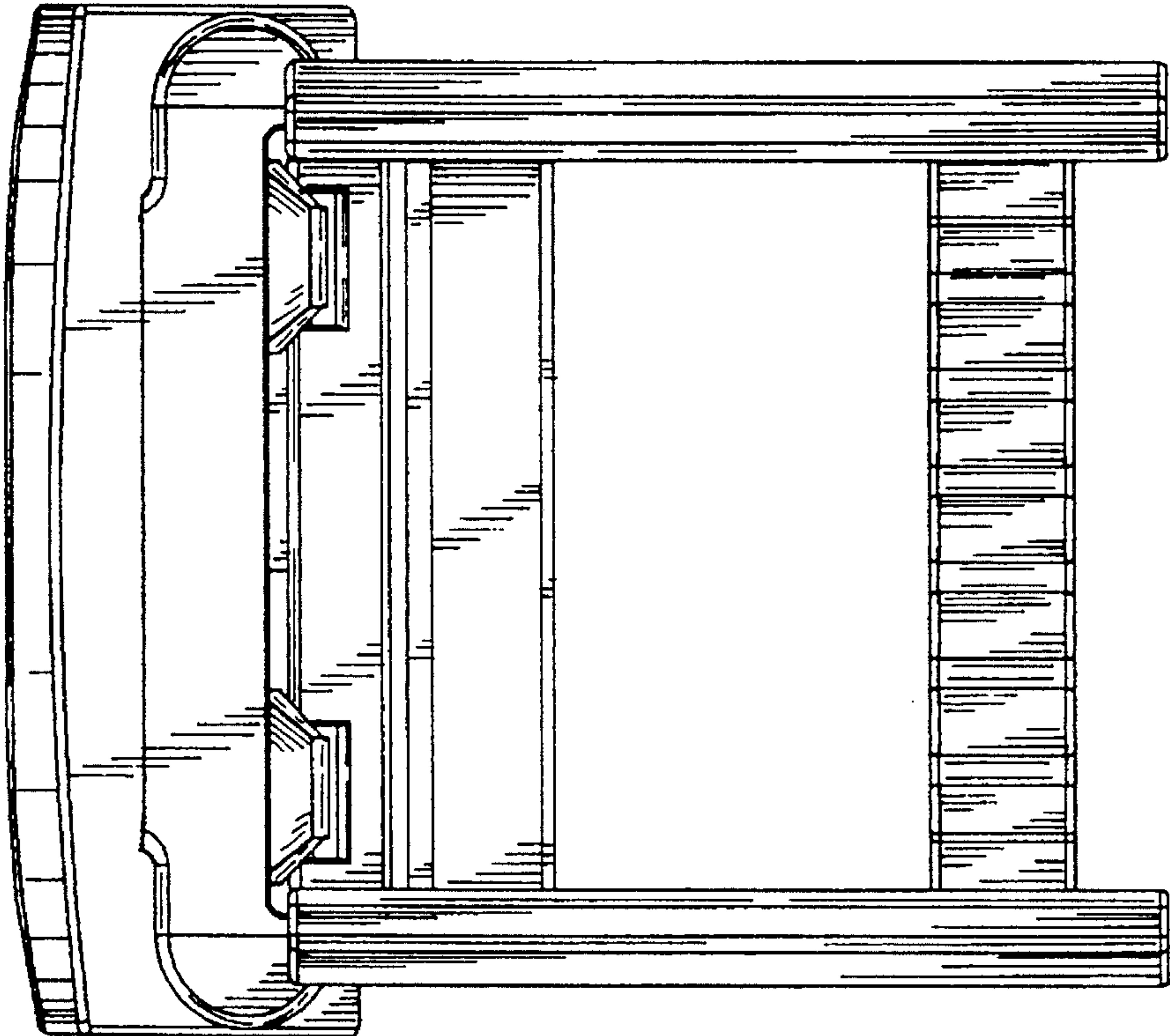
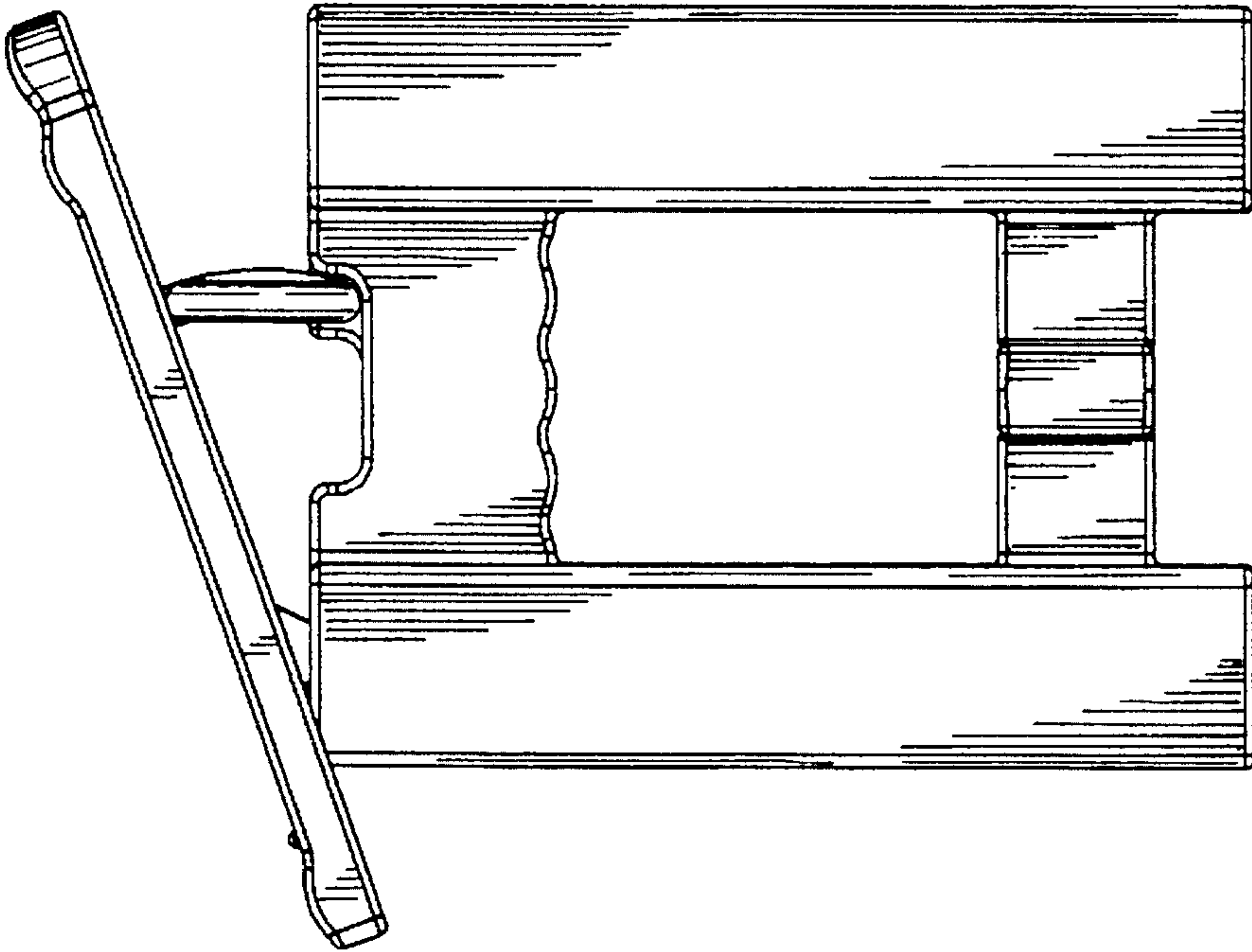


FIG. 3



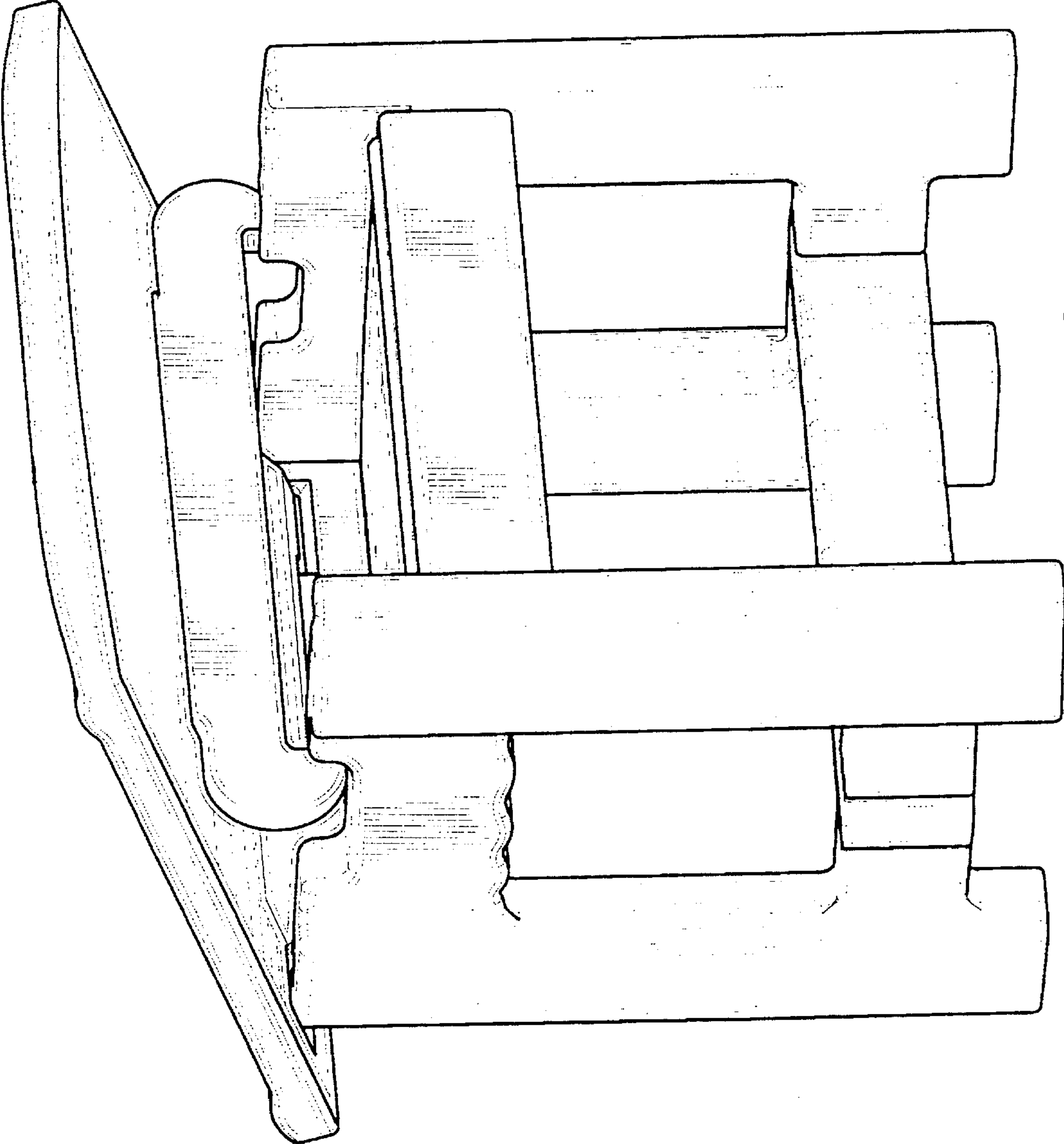


FIG. 7