



US00D370793S

United States Patent [19]

Keller

[11] Patent Number: **Des. 370,793**

[45] Date of Patent: ****Jun. 18, 1996**

[54] **BED**

[75] Inventor: **H. Thomas Keller**, High Point, N.C.

[73] Assignee: **Henredon Furniture Industries, Inc.**, Morganton, N.C.

[**] Term: **14 Years**

[21] Appl. No.: **28,131**

[22] Filed: **Sep. 8, 1994**

[52] U.S. Cl. **D6/393**

[58] Field of Search D6/382, 383, 388, D6/389-395, 503-508; 5/53.1, 279.1

[56] **References Cited**

U.S. PATENT DOCUMENTS

- D. 90,255 7/1933 McClure D6/393
- D. 90,256 7/1933 McClure D6/393

OTHER PUBLICATIONS

Ethan Allen, p. 193, #6 bed at bottom left.
 Thomasville, front cover, Domaine bed.
 Wonderbrass, #1075 headboard 2nd from top.

Primary Examiner—Janice E. Seeger
Attorney, Agent, or Firm—Edgar A. Zarins; Malcolm L. Sutherland

[57] **CLAIM**

The ornamental design for a bed, as shown and described.

DESCRIPTION

FIG. 1 is a perspective view of a bed showing my new design;

FIG. 2 is a front elevational view thereof;

FIG. 3 is a rear elevational view thereof; and,

FIG. 4 is a side view thereof, the opposite side being a mirror image of the side shown.

The rear of the footboard is substantially identical to the front shown.

1 Claim, 2 Drawing Sheets

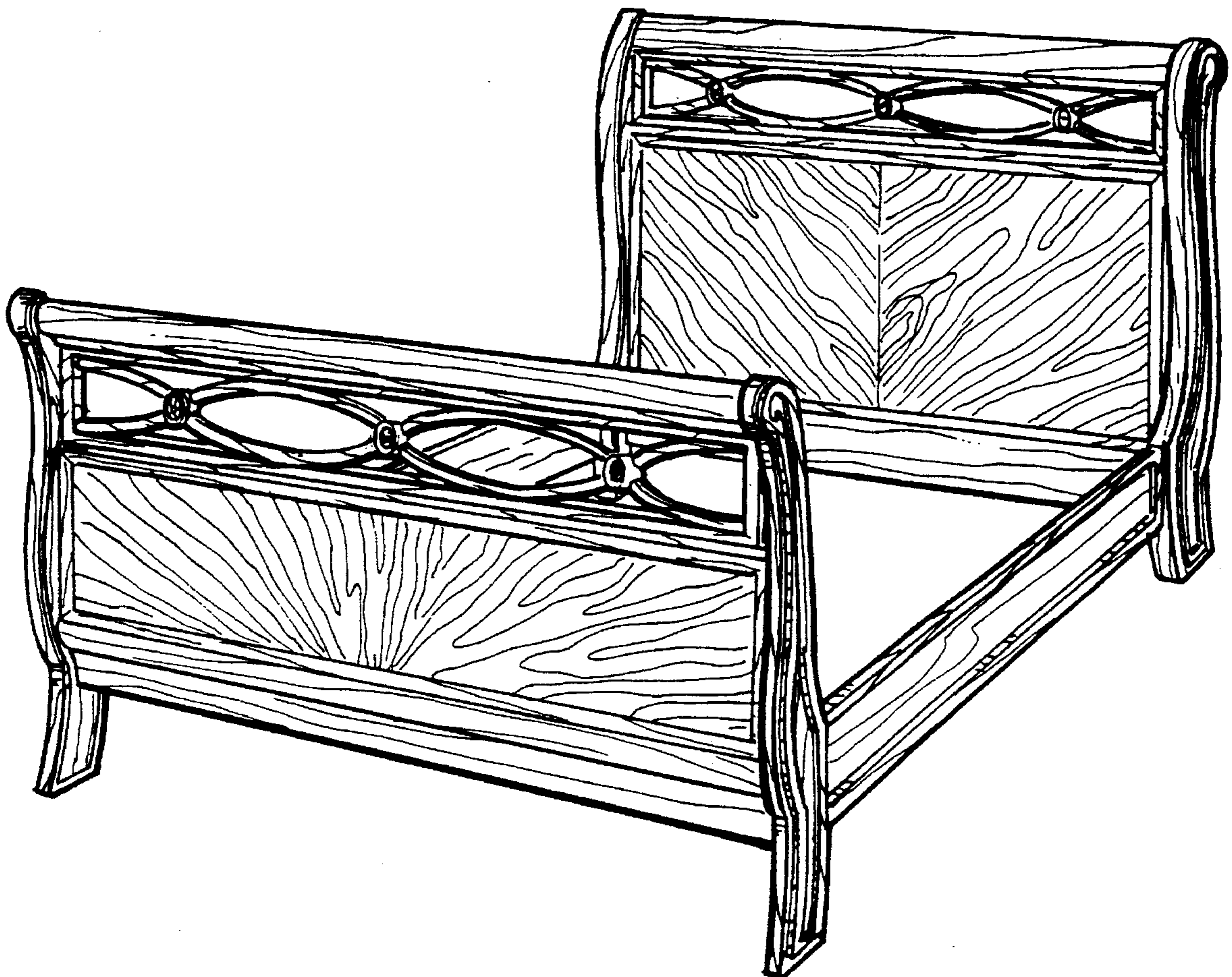


Fig - 1

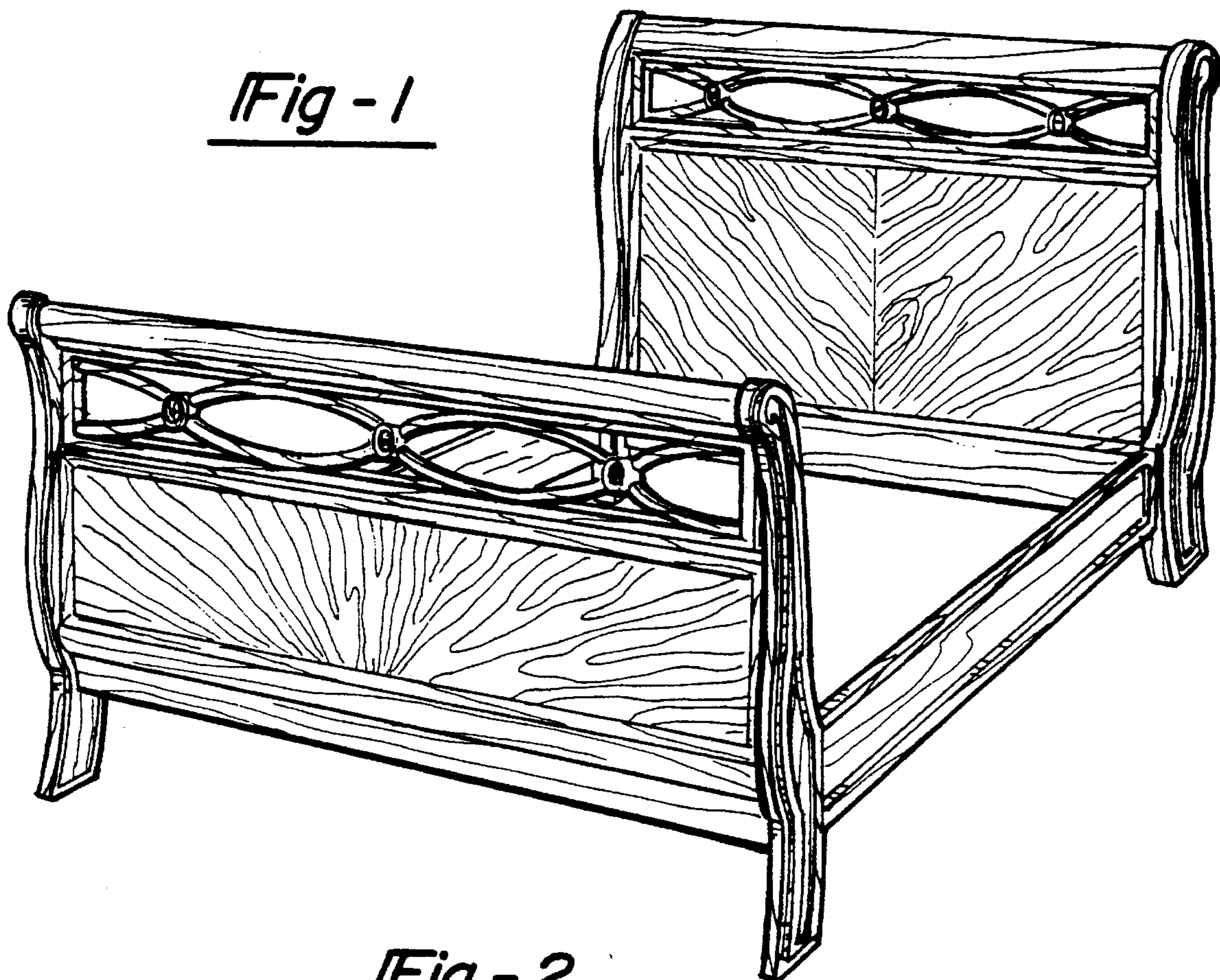
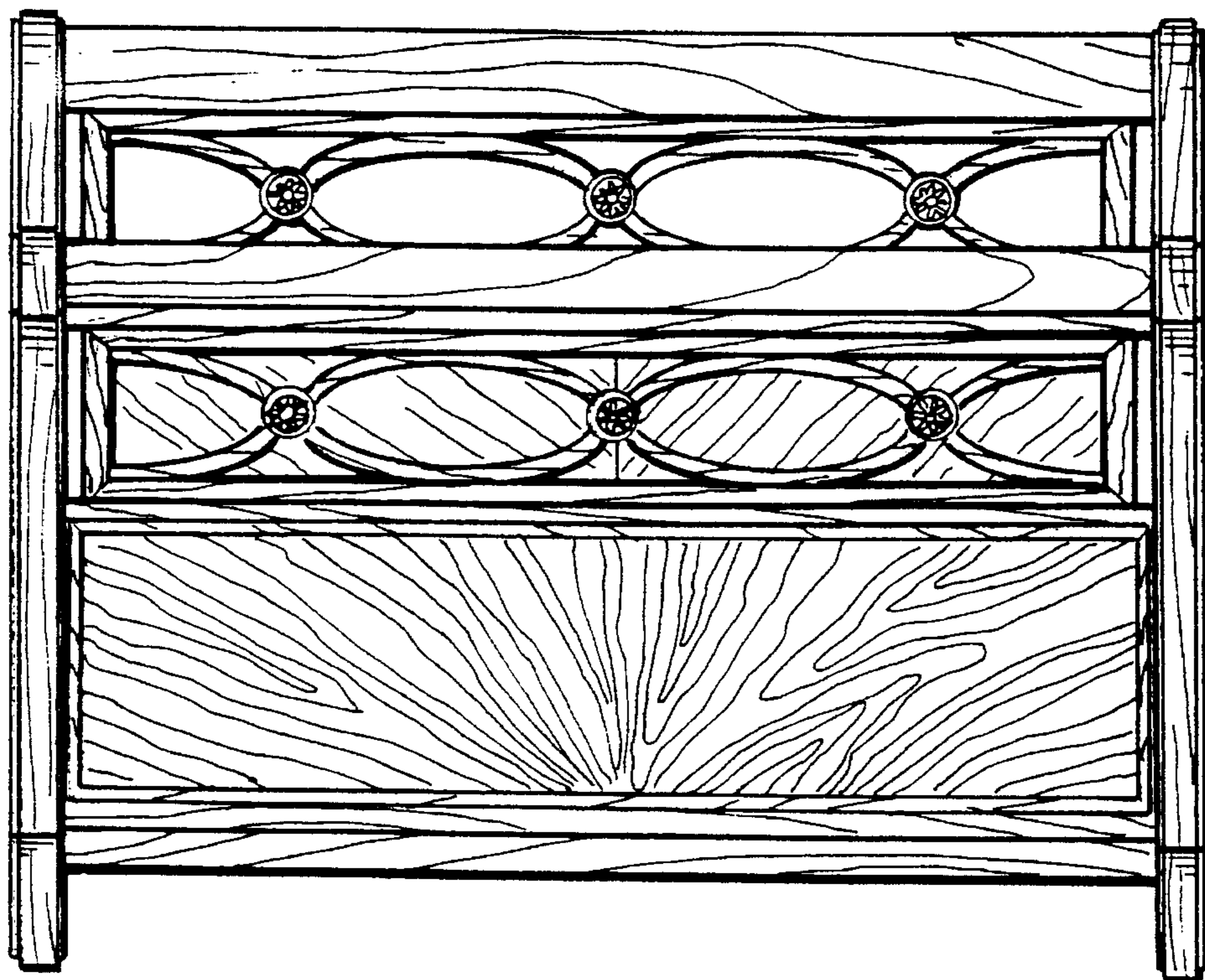


Fig - 2



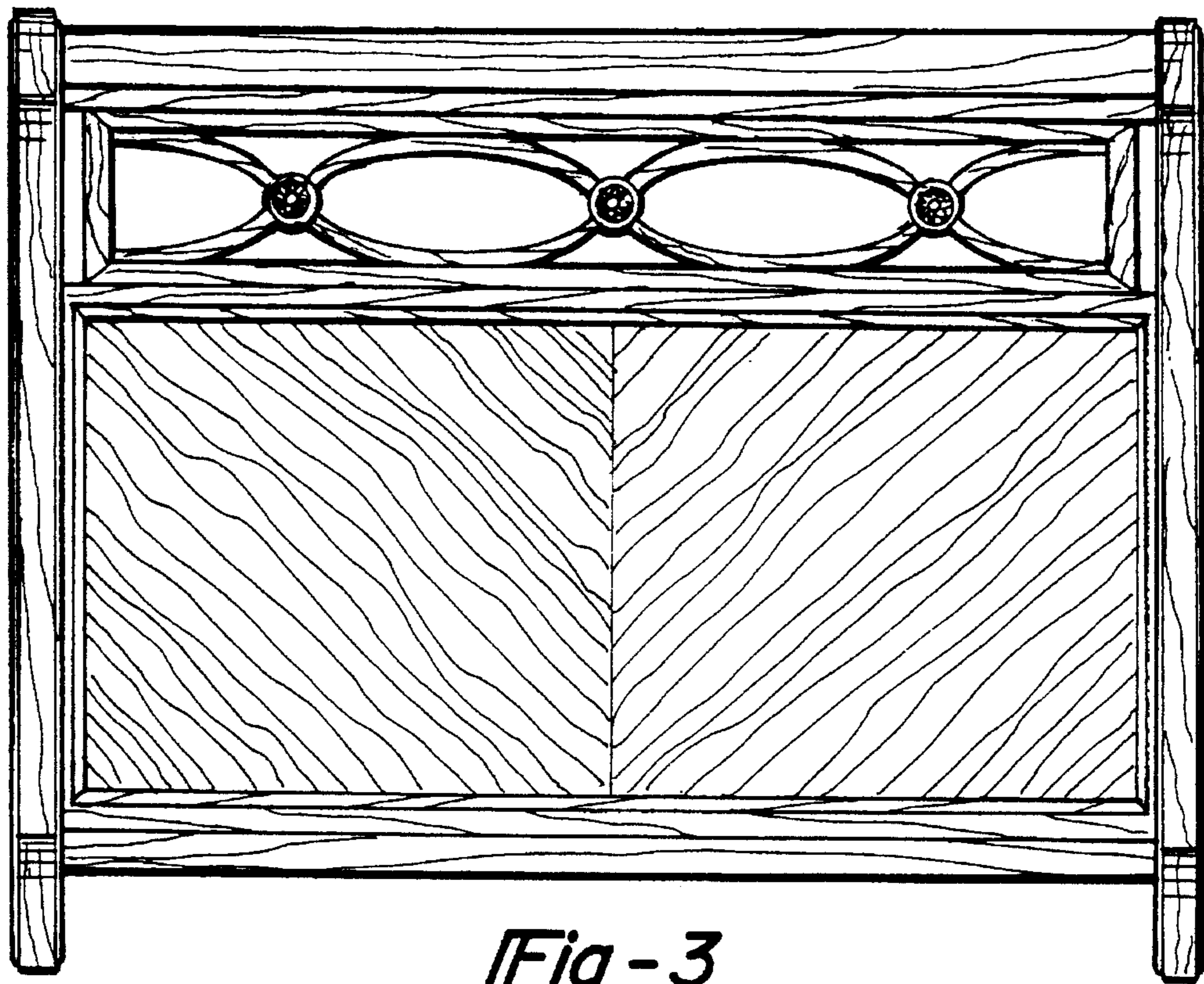


Fig - 3

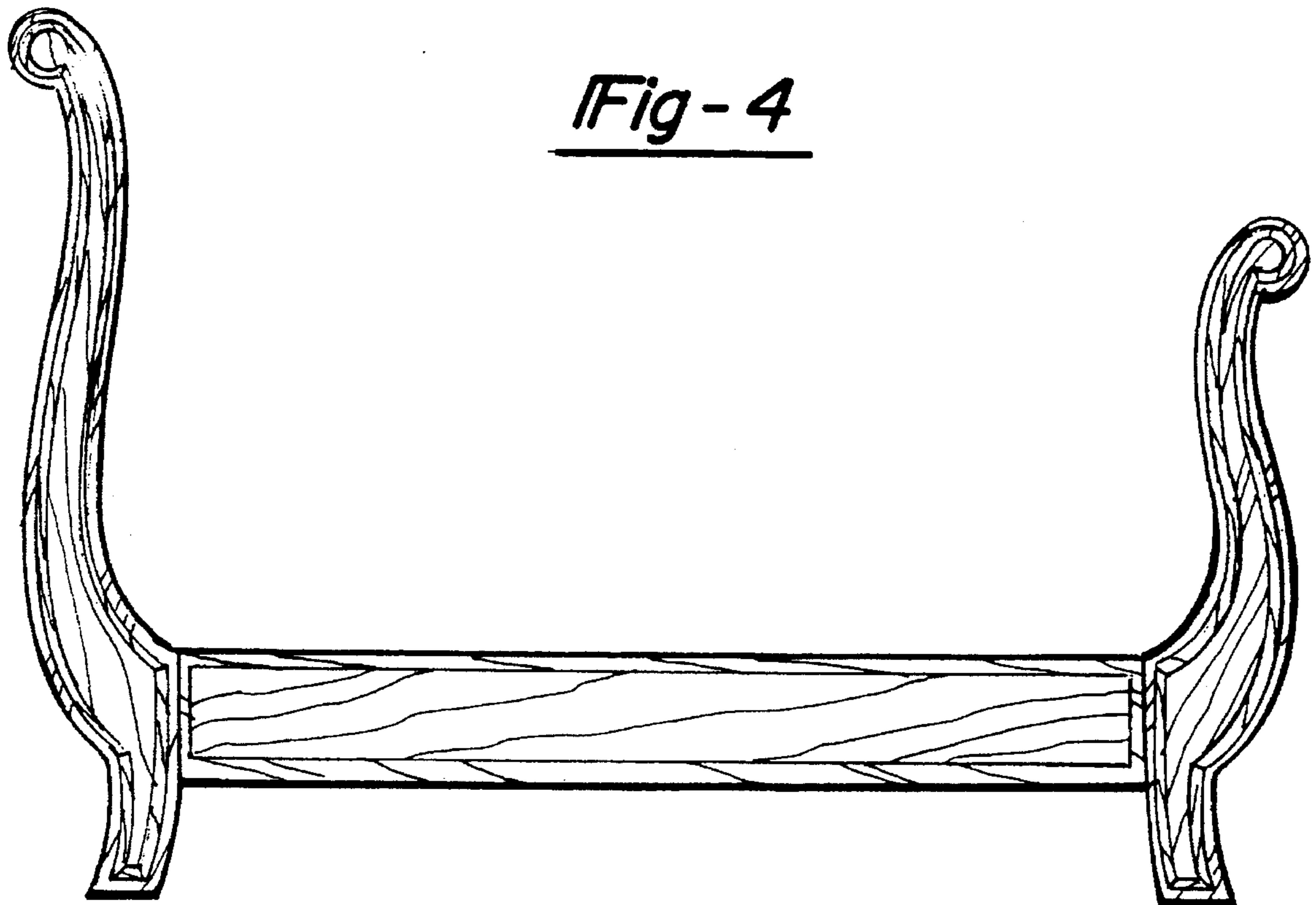


Fig - 4