



US00D370791S

United States Patent [19]
Yamazaki

[11] **Patent Number: Des. 370,791**
[45] **Date of Patent: **Jun. 18, 1996**

[54] **FOLDING CHAIR UNIT**

Attorney, Agent, or Firm—Bacon & Thomas

[75] Inventor: **Ryokichi Yamazaki**, Chiba, Japan

[57] **CLAIM**

[73] Assignee: **Kabushiki Kaisha Kotobuki**, Tokyo, Japan

The ornamental design for a folding chair unit, as shown and described.

[**] Term: **14 Years**

DESCRIPTION

[21] Appl. No.: **39,950**

FIG. 1 is a front, top and right side perspective view of a folding chair unit, showing my new design;

[22] Filed: **Jun. 7, 1995**

FIG. 2 is a front, top and right side perspective view thereof with the chair folded;

[30] **Foreign Application Priority Data**

FIG. 3 is a front elevational view thereof;

Dec. 12, 1994 [JP] Japan 6-37599

FIG. 4 is a top plan view thereof;

[52] **U.S. Cl.** **D6/368**

FIG. 5 is a rear elevational view thereof;

[58] **Field of Search** D6/334, 335, 336,
D6/368, 379, 500, 501, 502; 297/183.5,
188.04, 232, 380, 382

FIG. 6 is a bottom plan view thereof;

FIG. 7 is a right side elevational view thereof, the opposite side being a mirror image;

[56] **References Cited**

U.S. PATENT DOCUMENTS

D. 228,104 8/1973 Blodee D6/368
D. 352,400 11/1994 Yamazaki D6/334 X

FIG. 8 is a right side elevational thereof view with the chair folded, the opposite side being a mirror image;

FIG. 9 is a cross-sectional view, taken along the line 9—9 in FIG. 3; and,

FIG. 10 is a cross-sectional view, taken along the line 10—10 in FIG. 4.

Primary Examiner—Gary D. Watson

1 Claim, 4 Drawing Sheets

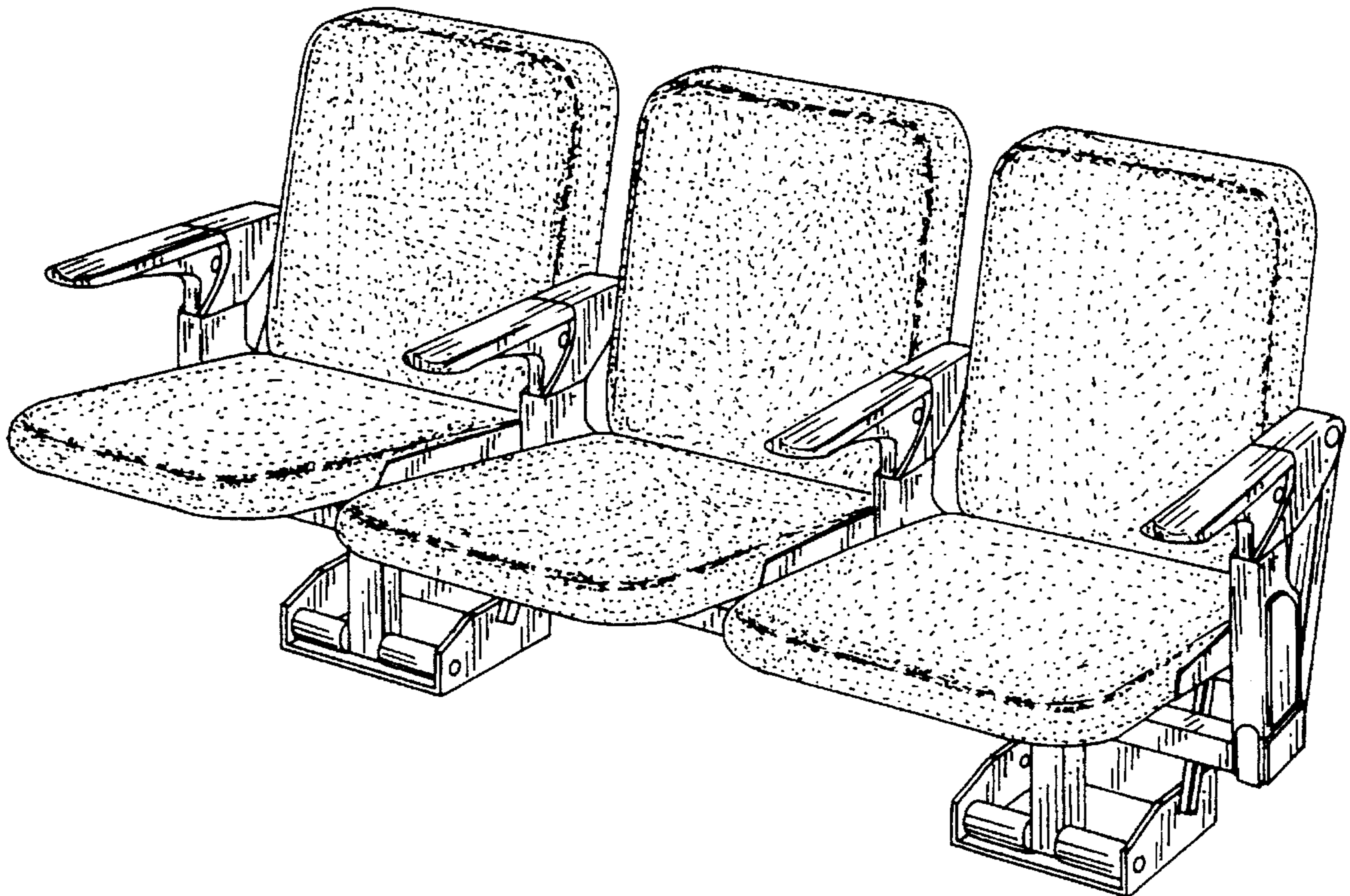


FIG. 1

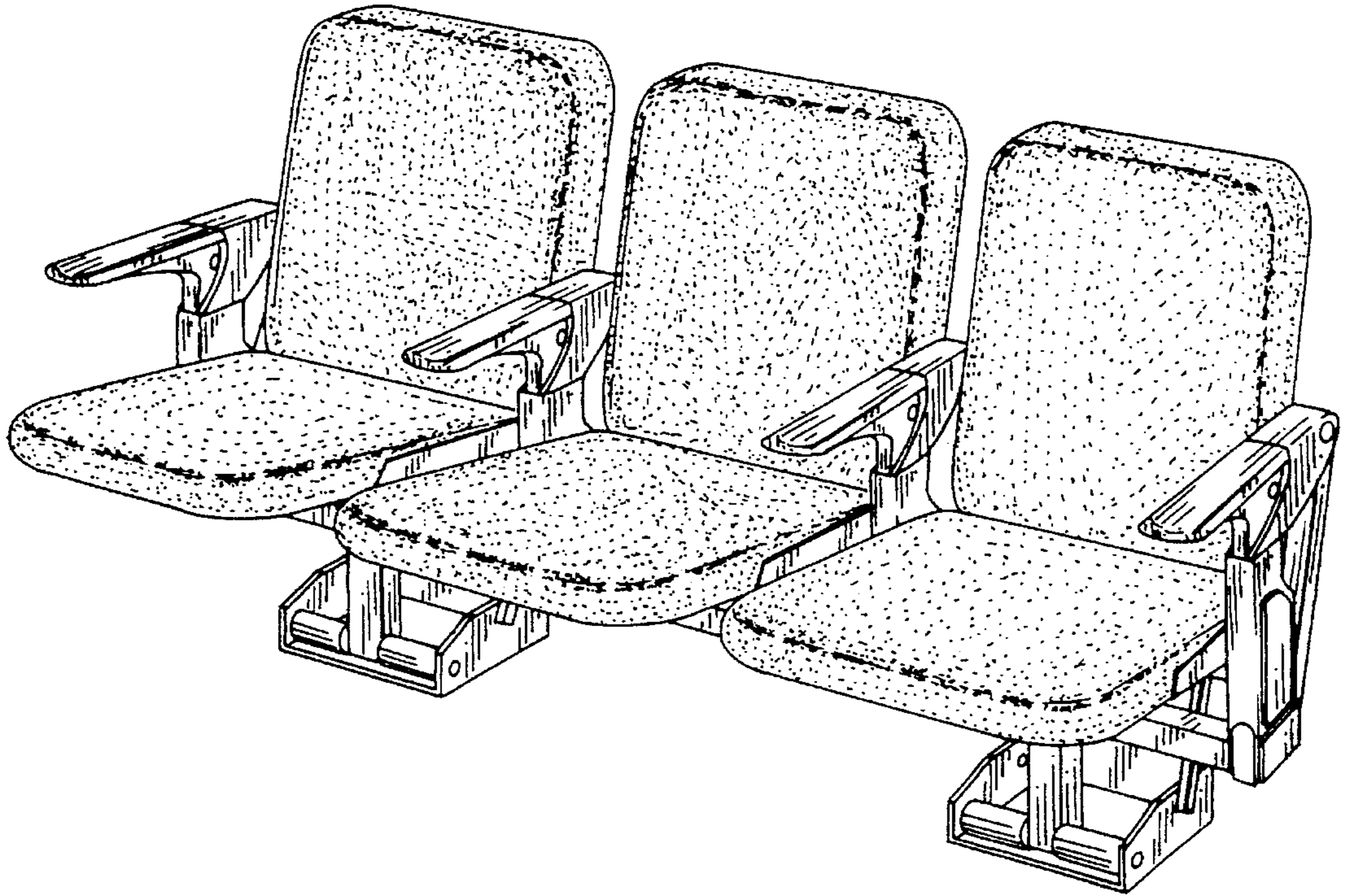


FIG. 2

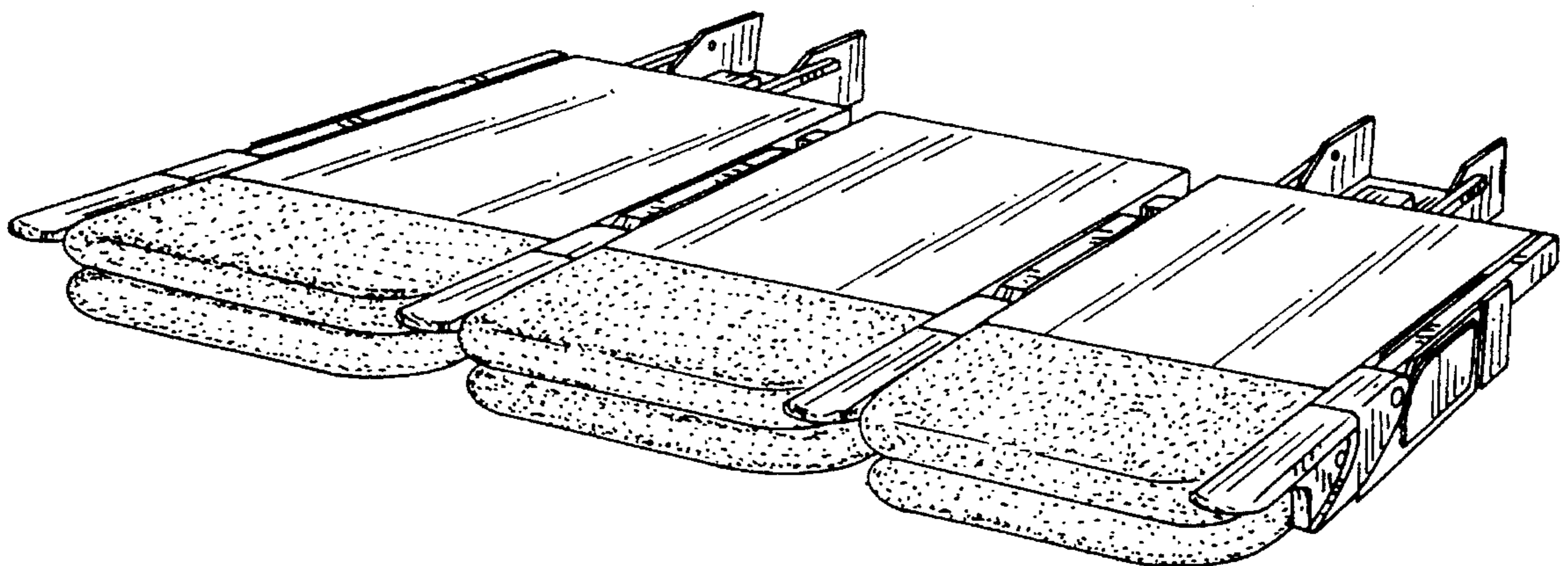


FIG. 3

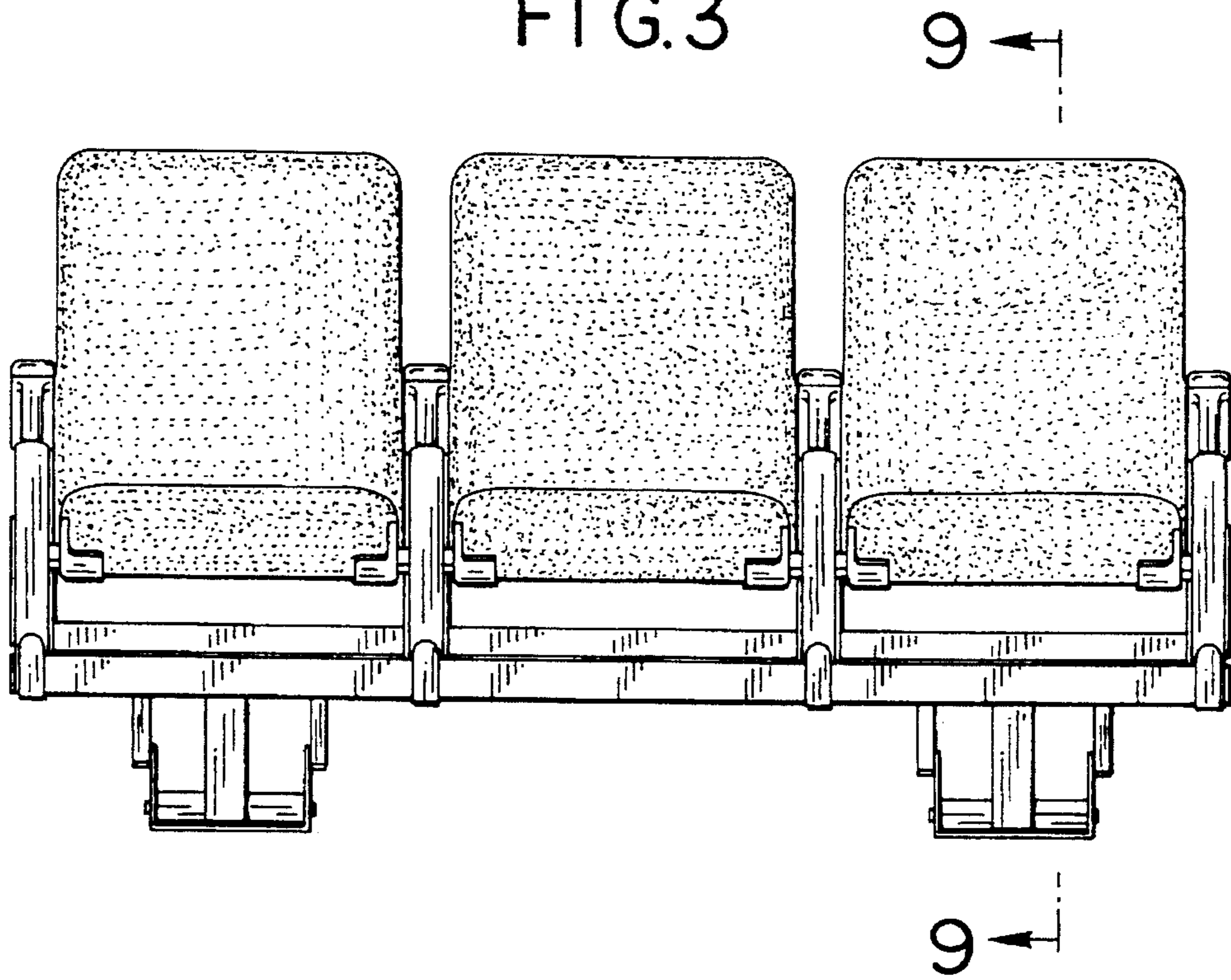


FIG. 4

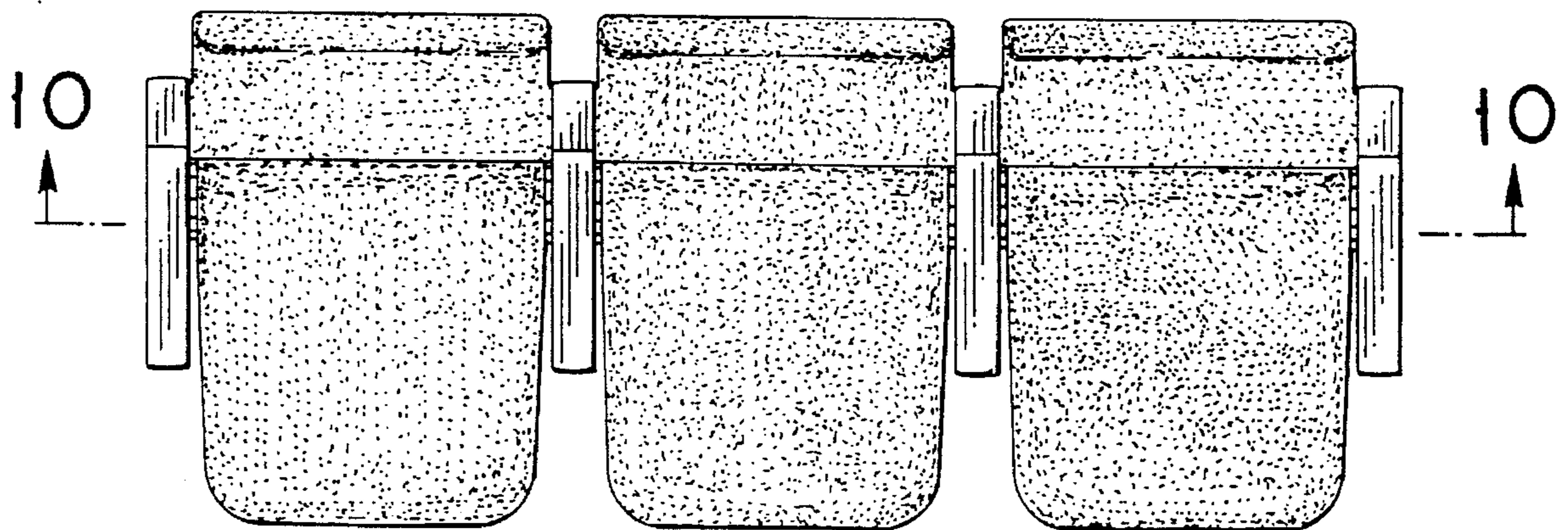


FIG. 5

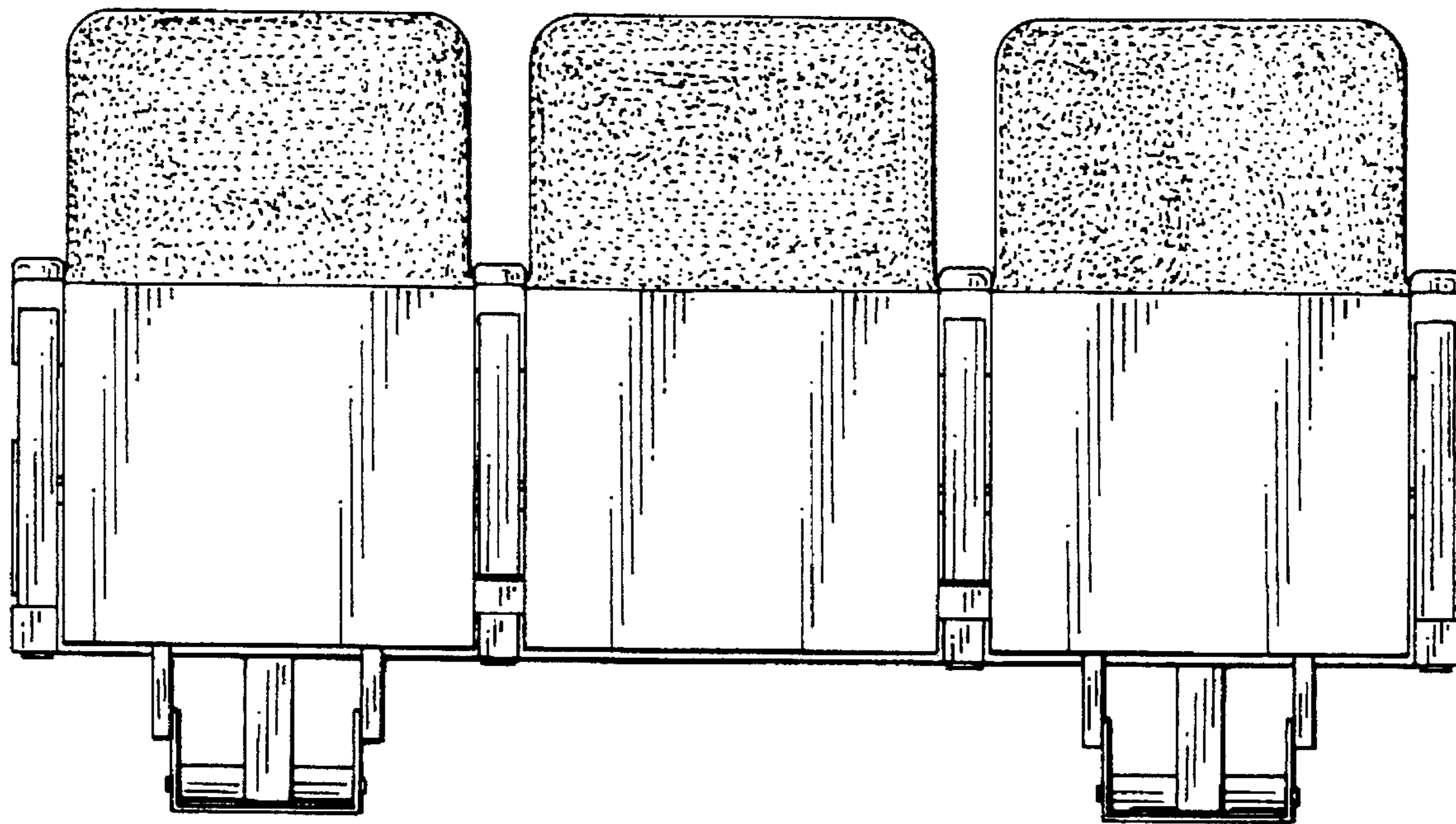


FIG. 6

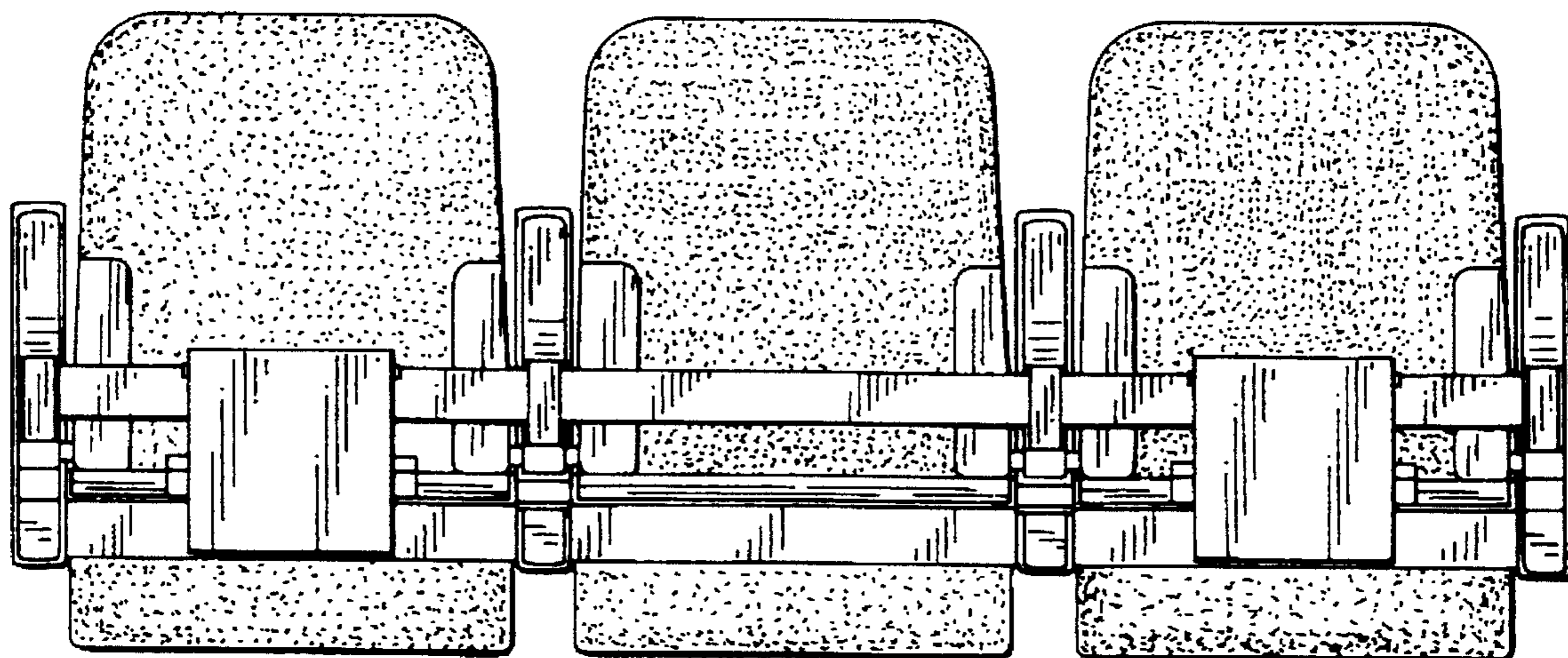


FIG. 7

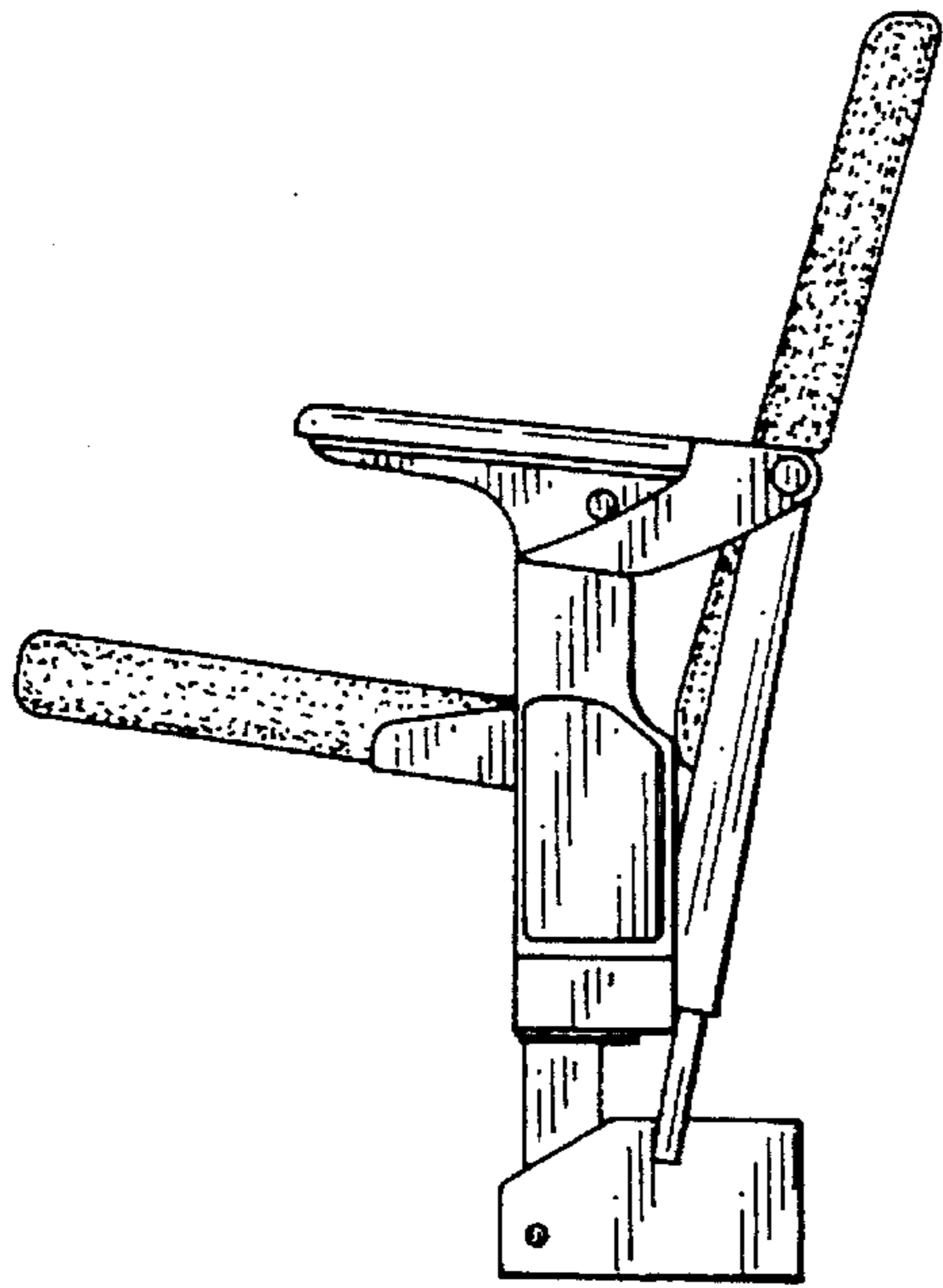


FIG. 9

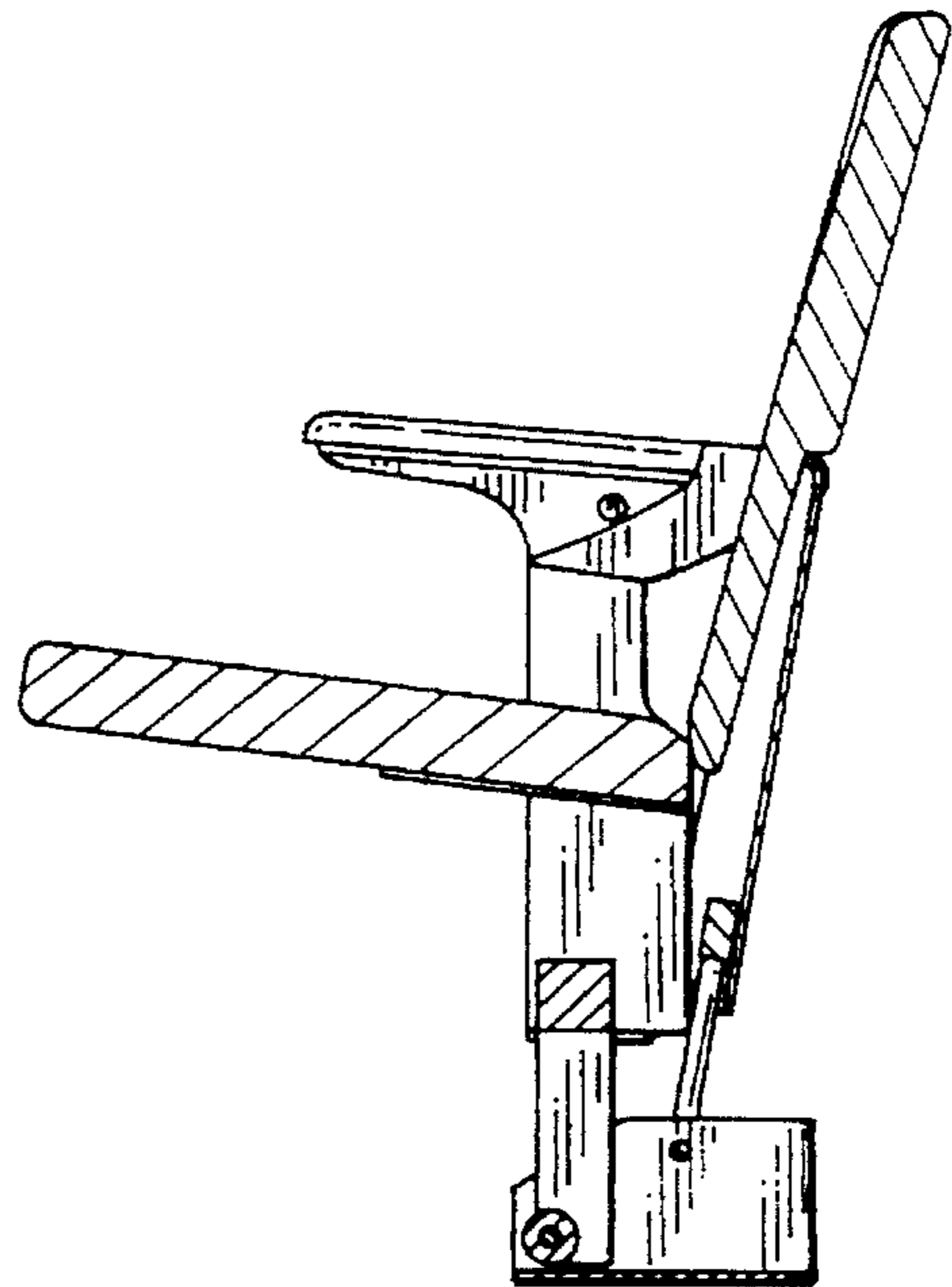


FIG. 8

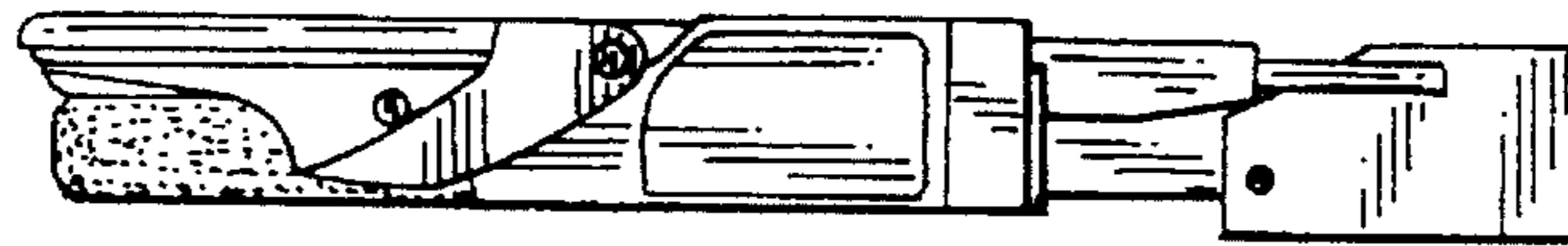


FIG. 10

