



US00D370790S

United States Patent [19]

[11] Patent Number: **Des. 370,790**

Dammerman

[45] Date of Patent: ****Jun. 18, 1996**

[54] **CHAIR**

[75] Inventor: **Arnold B. Dammerman**, Grand Rapids, Mich.

[73] Assignee: **Steelcase, Inc.**, Grand Rapids, Mich.

[**] Term: **14 Years**

[21] Appl. No.: **30,305**

[22] Filed: **Oct. 26, 1994**

[52] U.S. Cl. **D6/366**

[58] Field of Search D6/334, 365, 366, D6/367, 374, 375, 500, 501, 502; 297/411.2

[56] **References Cited**

U.S. PATENT DOCUMENTS

D. 219,376	12/1970	Pearson .	
D. 227,829	7/1973	Klose .	
D. 254,640	4/1980	Deck et al. .	
D. 273,155	3/1984	Petitt .	
D. 273,250	4/1984	Petitt .	
D. 273,918	5/1984	Keeler .	
D. 275,051	8/1984	Stephens	D6/366
D. 276,385	11/1984	Stephens .	
D. 297,986	10/1988	Jenkins .	
D. 299,987	2/1989	Jenkins .	
D. 300,483	4/1989	Jenkins .	
D. 302,769	8/1989	Jenkins .	
D. 316,937	5/1991	Murry .	
D. 330,810	11/1992	Stafford .	
D. 340,589	10/1993	Chu	D6/366
3,230,007	1/1966	Spangler et al. .	
3,521,929	7/1970	Pearson .	
3,848,925	11/1974	Harder, Jr. .	
3,861,747	1/1975	Diamond .	
3,948,557	4/1976	Barecki .	

OTHER PUBLICATIONS

Interiors, Dec. 1979, p. 20, Samsonite chair at top center.

Primary Examiner—Gary D. Watson
Attorney, Agent, or Firm—Price, Heneveld, Cooper, DeWitt & Litton

[57] **CLAIM**

The ornamental design for the chair, as shown and described.

DESCRIPTION

FIG. 1 is a front perspective view of the chair design of the present invention;
 FIG. 2 is a rear perspective view of the chair design shown in FIG. 1;
 FIG. 3 is a left side elevational view of the chair design shown in FIG. 1;
 FIG. 4 is a front elevational view of the chair design shown in FIG. 1;
 FIG. 5 is a rear elevational view of the chair design shown in FIG. 1;
 FIG. 6 is a top plan view of the chair design shown in FIG. 1;
 FIG. 7 is a bottom plan view of the chair design shown in FIG. 1;
 FIG. 8 is a front perspective view of a second embodiment of the chair design of the present invention;
 FIG. 9 is a front elevational view of the chair design shown in FIG. 8;
 FIG. 10 is a top plan view of the chair design shown in FIG. 8;
 FIG. 11 is a front perspective view of a third embodiment of the chair design of the present invention;
 FIG. 12 is a rear perspective view of the chair design shown in FIG. 11;
 FIG. 13 is a left side elevational view of the chair design shown in FIG. 11;
 FIG. 14 is a front elevational view of the chair design shown in FIG. 11;
 FIG. 15 is a rear elevational view of the chair design shown in FIG. 11;
 FIG. 16 is a top plan view of the chair design shown in FIG. 11;
 FIG. 17 is a bottom plan view of the chair design shown in FIG. 11;
 FIG. 18 is a front perspective view of a fourth embodiment of the chair design of the present invention;
 FIG. 19 is a rear perspective view of the chair design shown in FIG. 18;
 FIG. 20 is a left side elevational view of the chair design shown in FIG. 18;

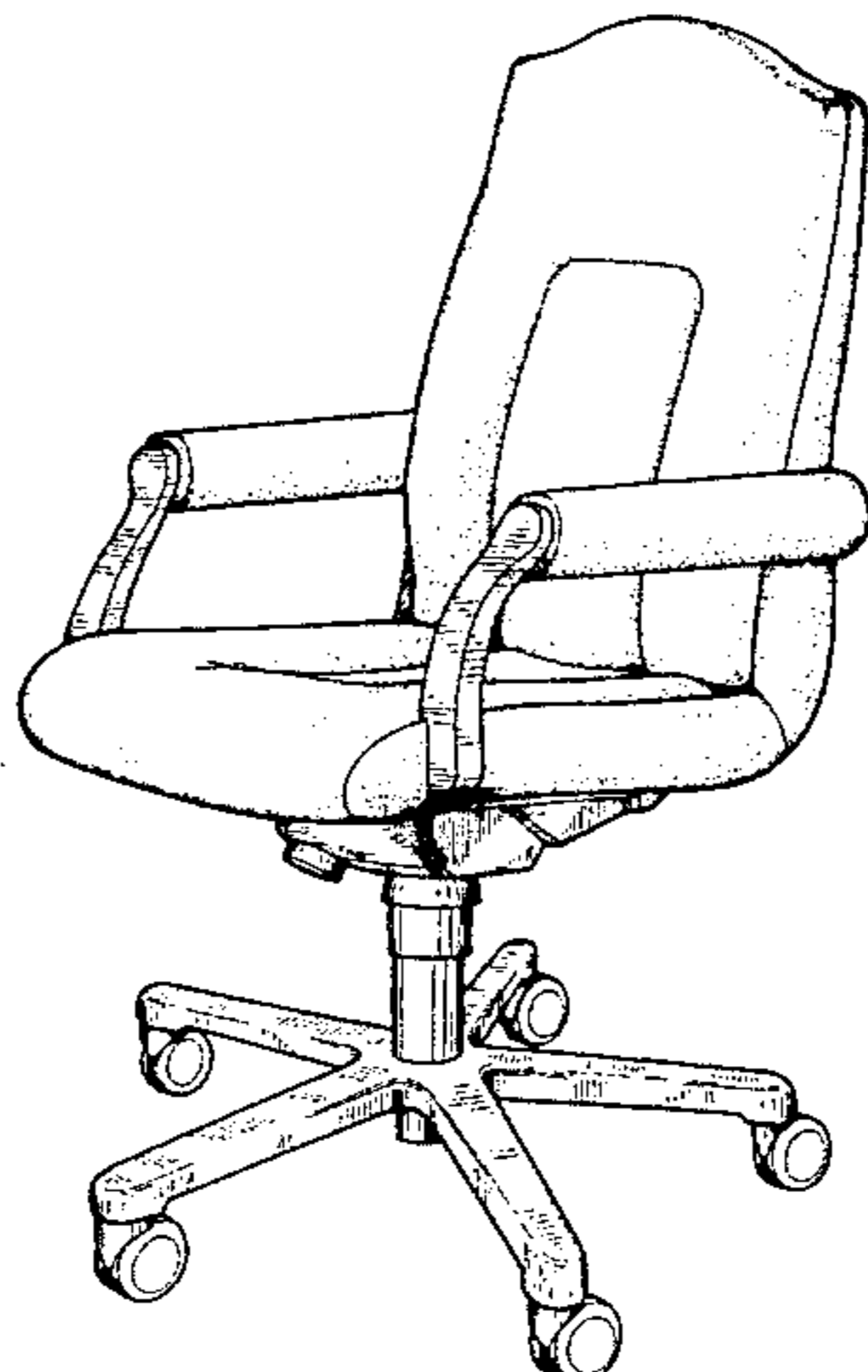


FIG. 21 is a front elevational view of the chair design shown in FIG. 18;

FIG. 22 is a rear elevational view of the chair design shown in FIG. 18;

FIG. 23 is a top plan view of the chair design shown in FIG. 18; and,

FIG. 24 is a bottom plan view of the chair design shown in FIG. 18.

1 Claim, 14 Drawing Sheets

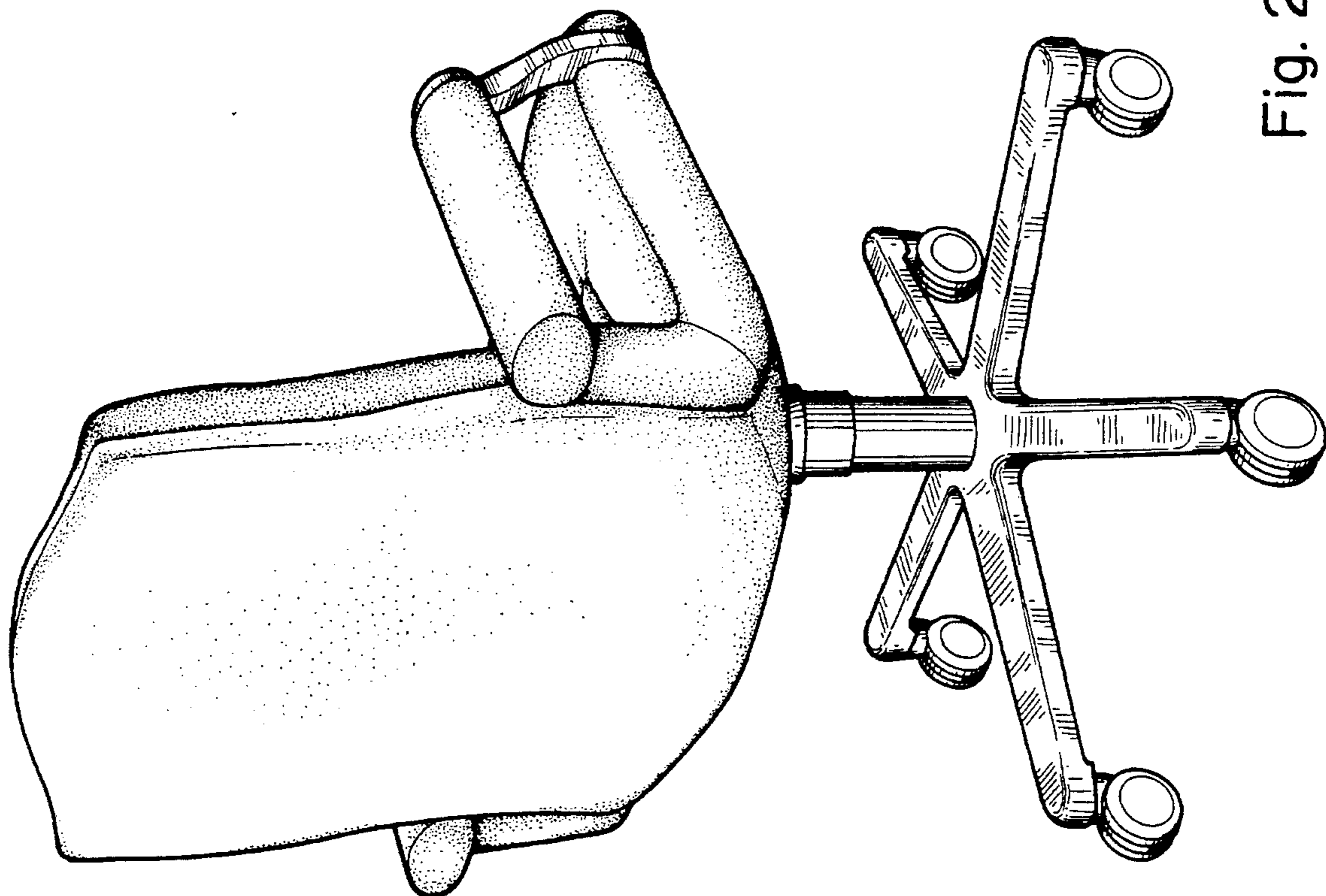


Fig. 2

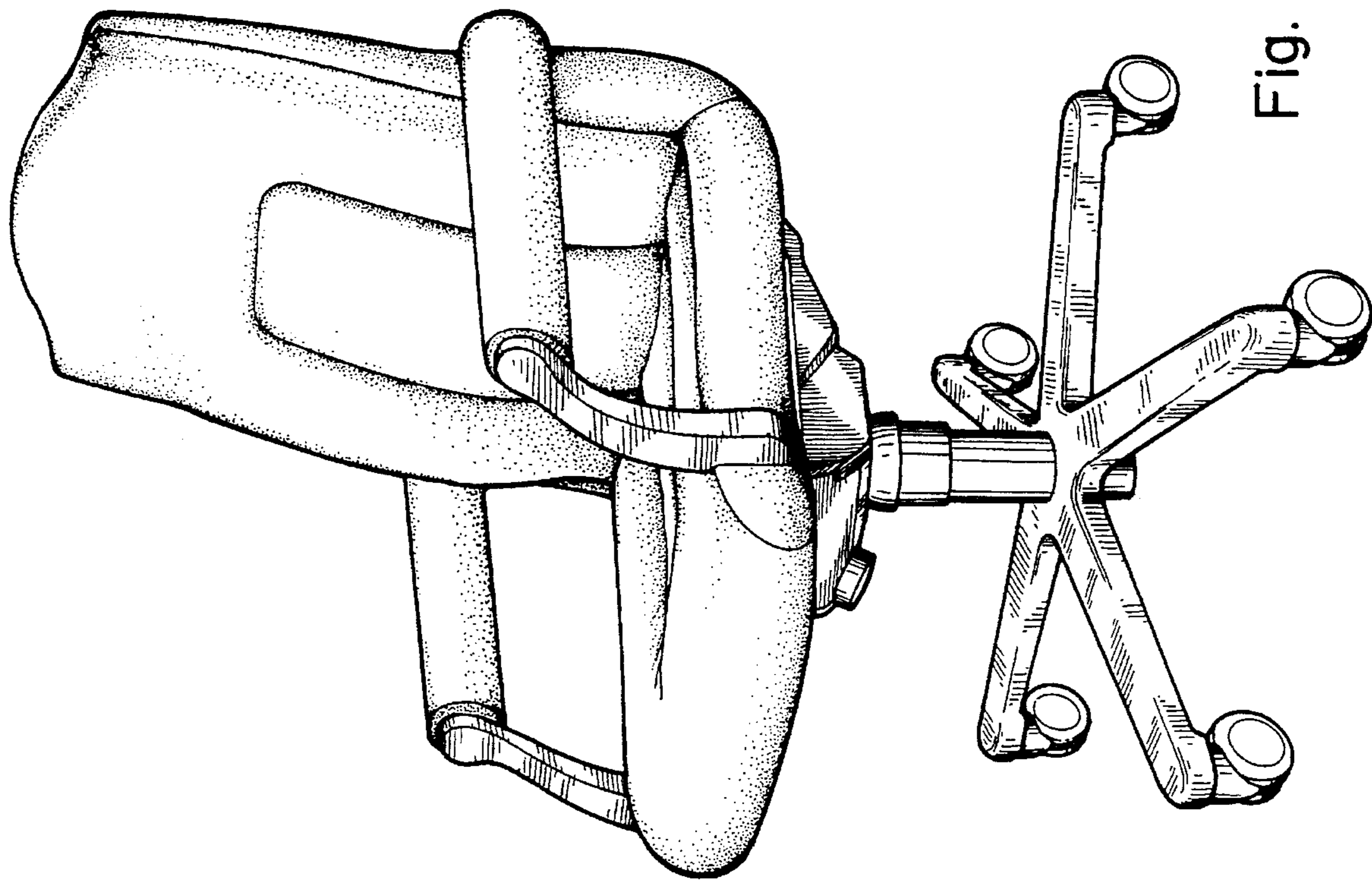


Fig. 1

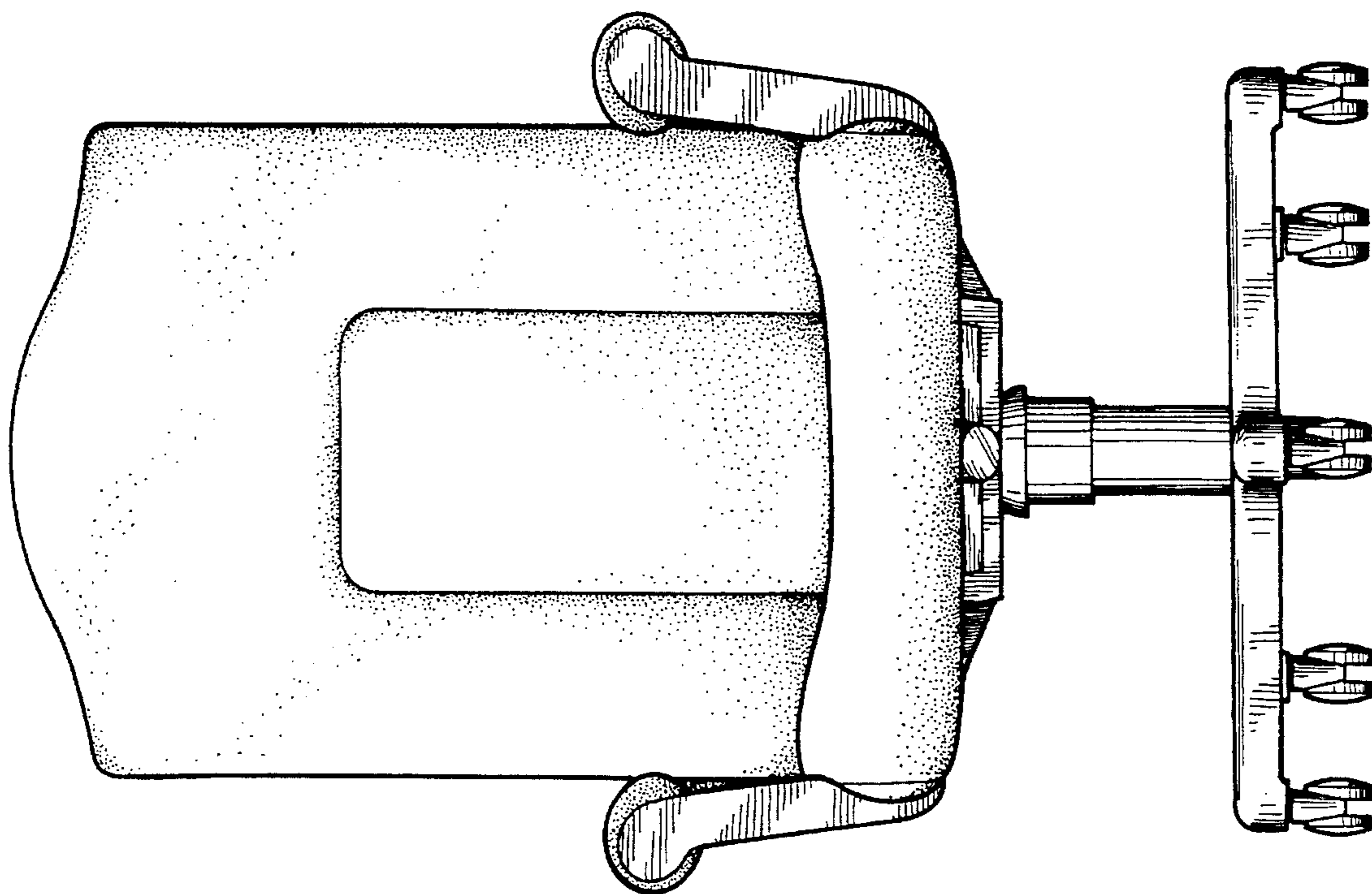


Fig. 3

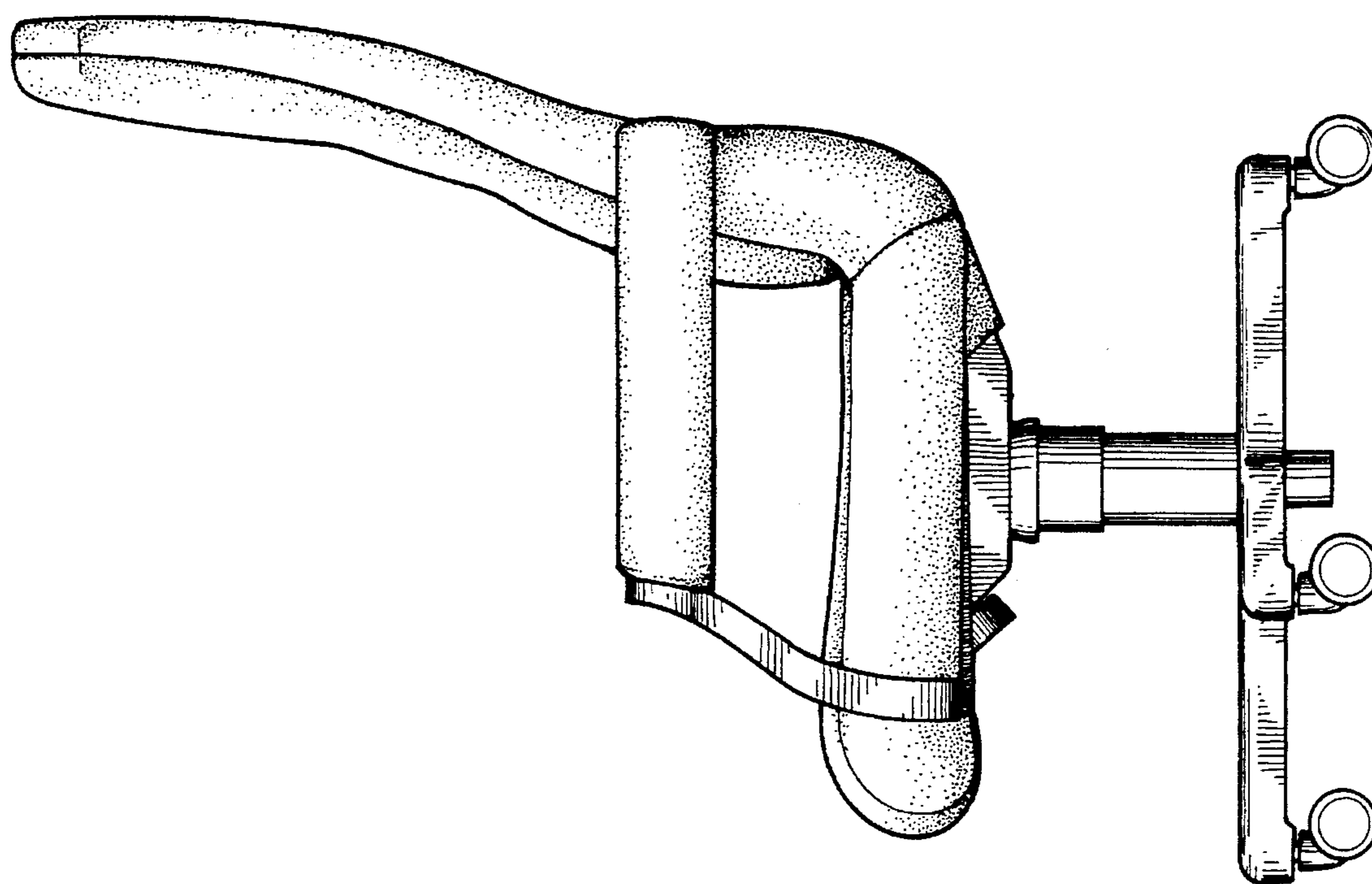


Fig. 4

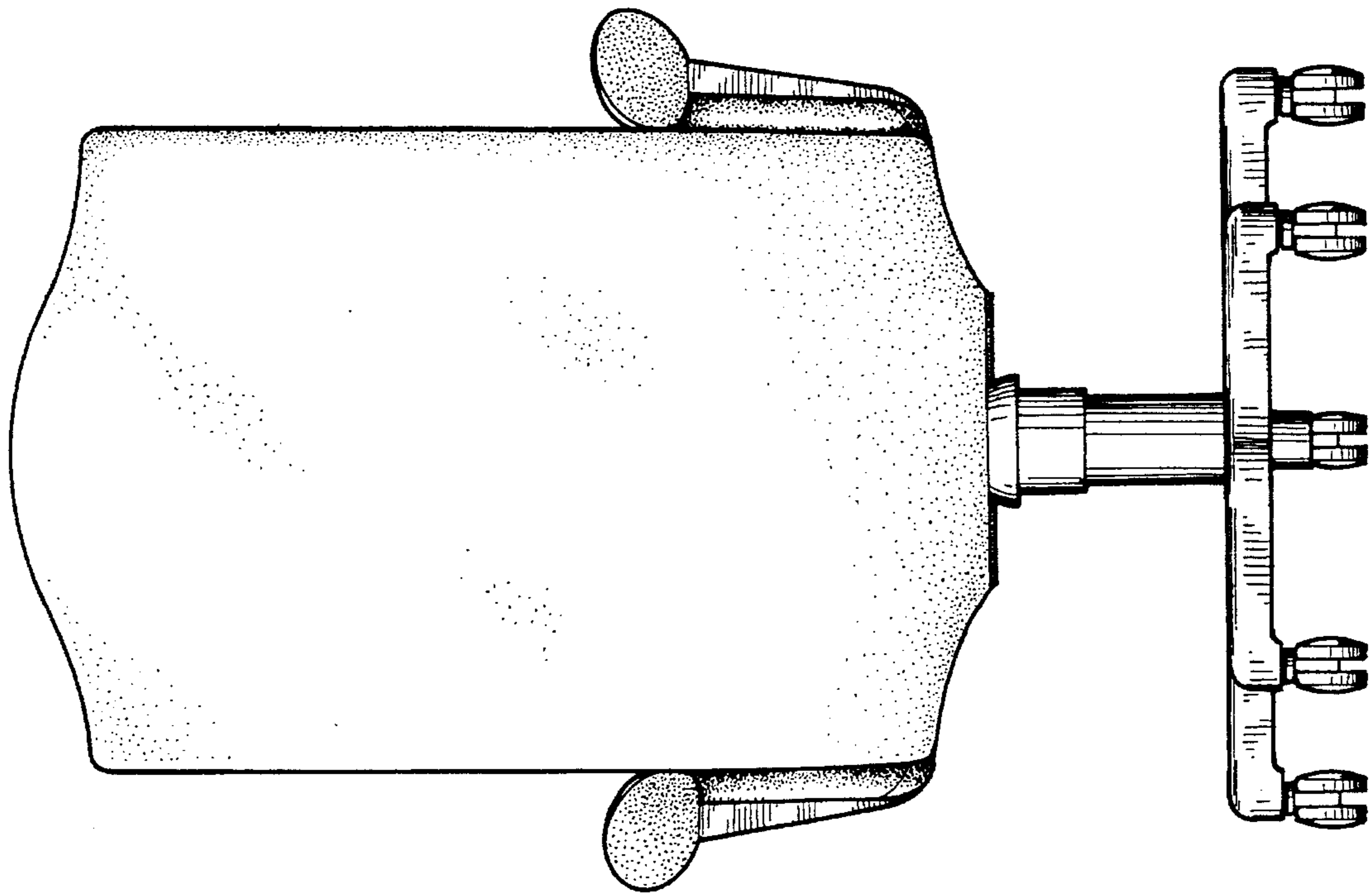


Fig. 5

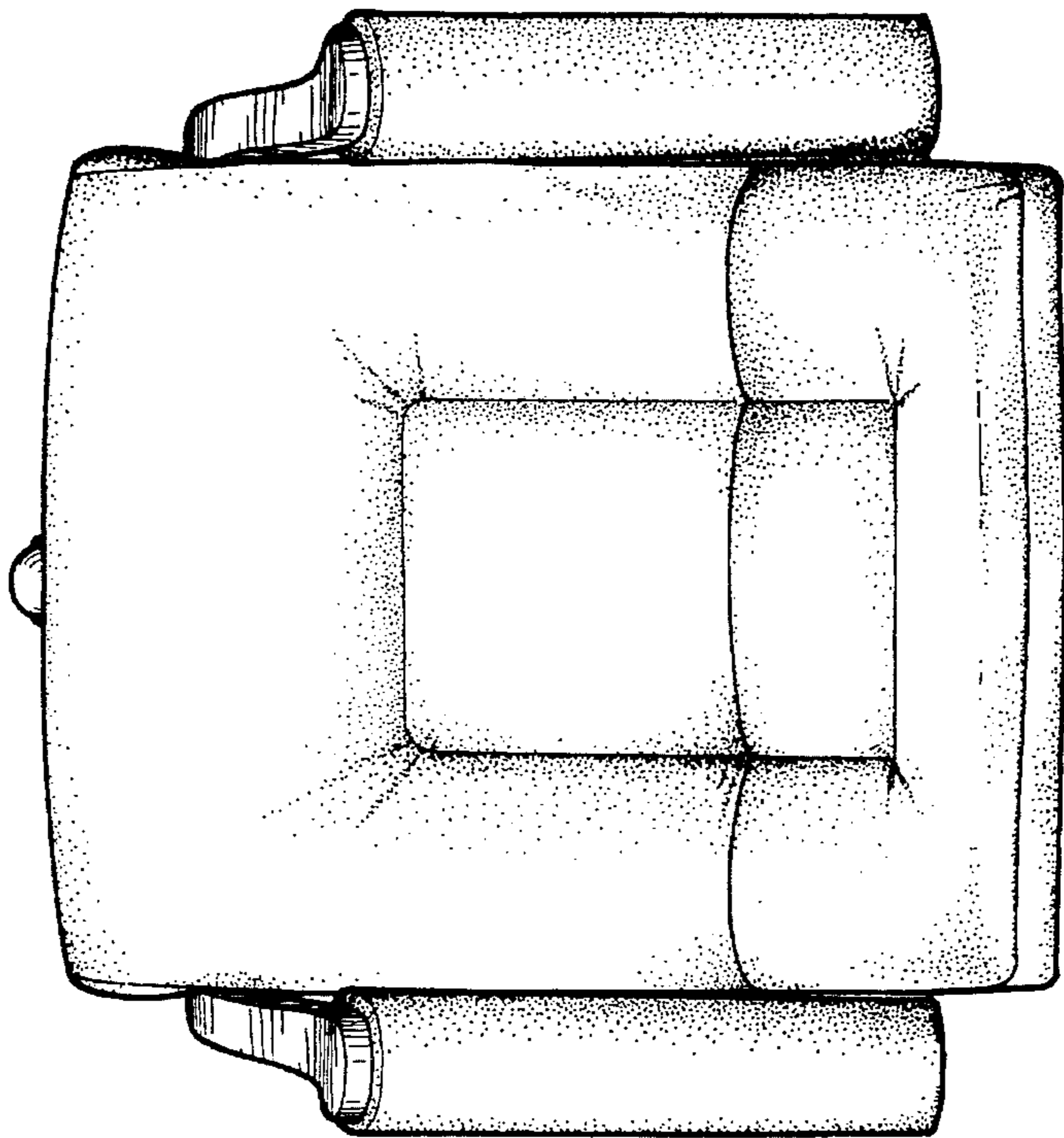


Fig. 6

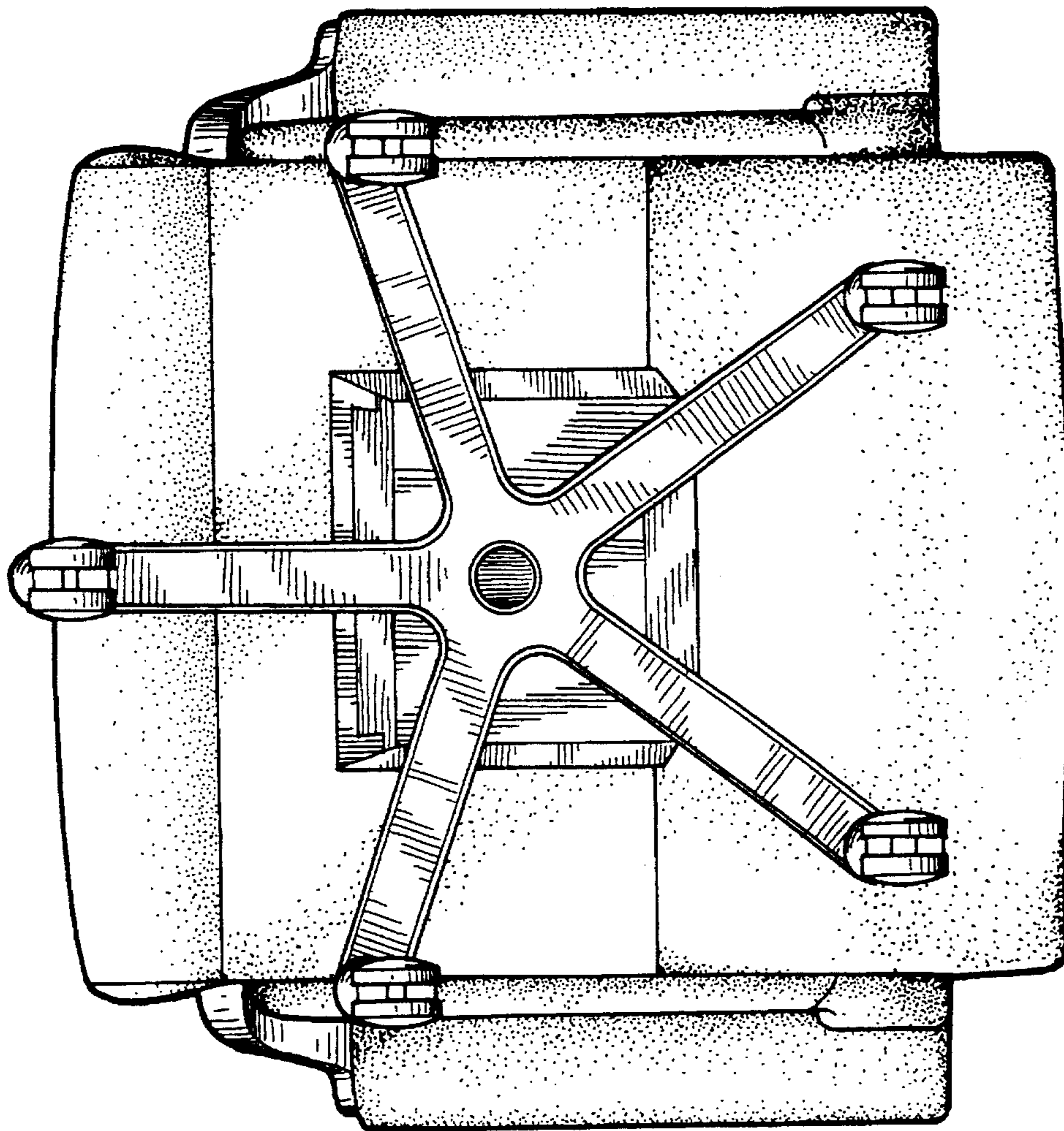


Fig. 7

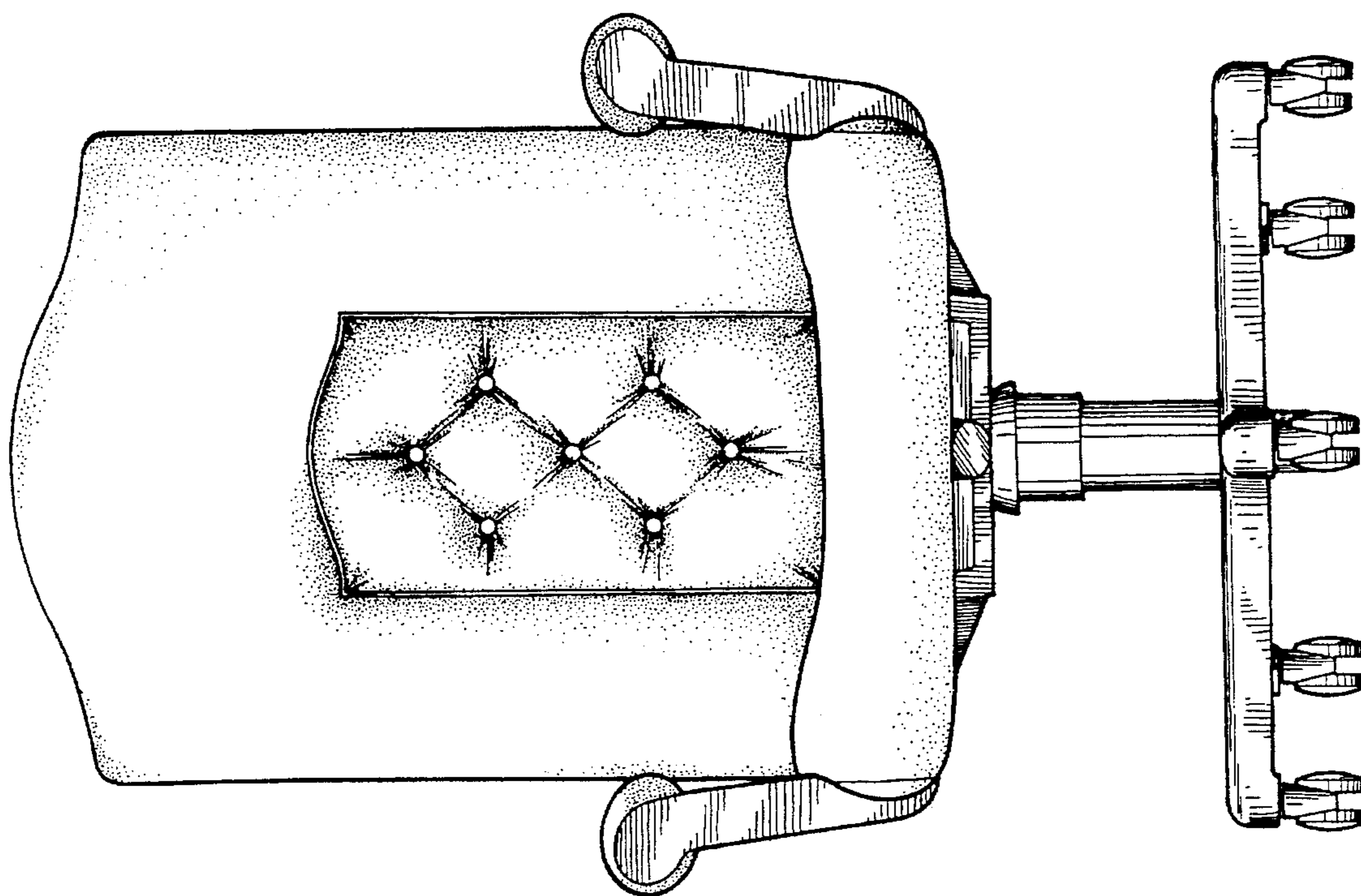


Fig. 9

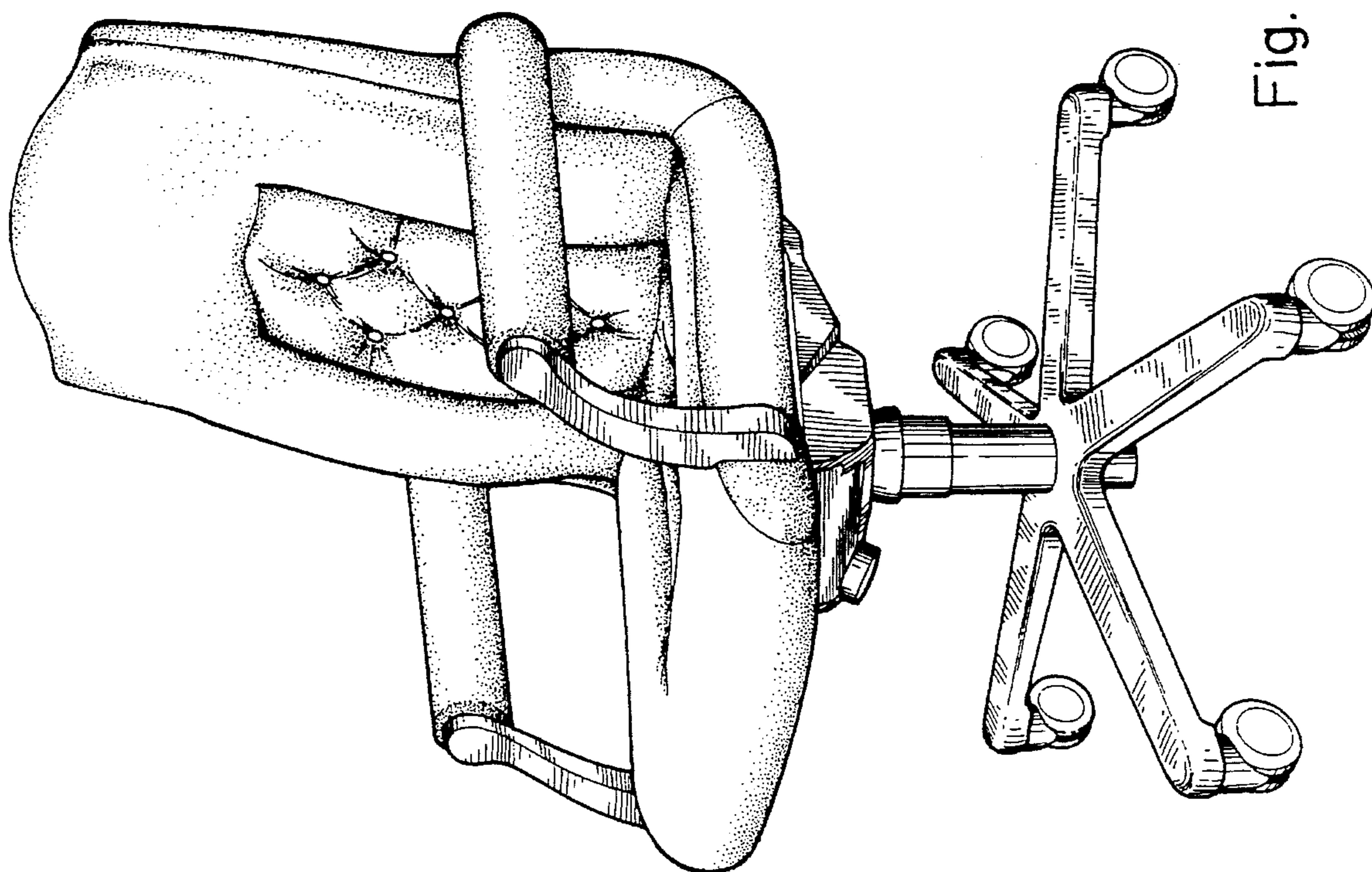


Fig. 8

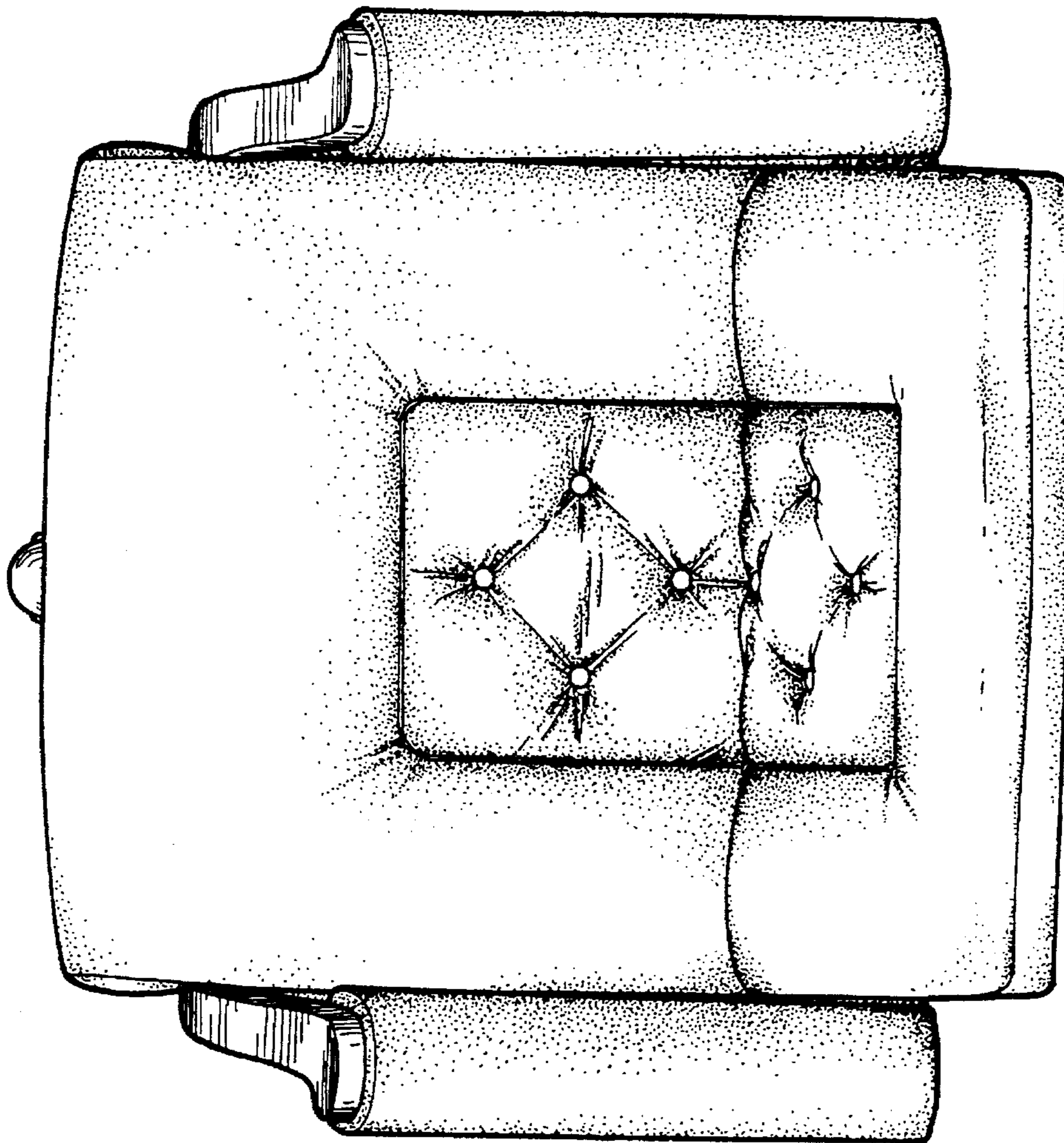


Fig. 10

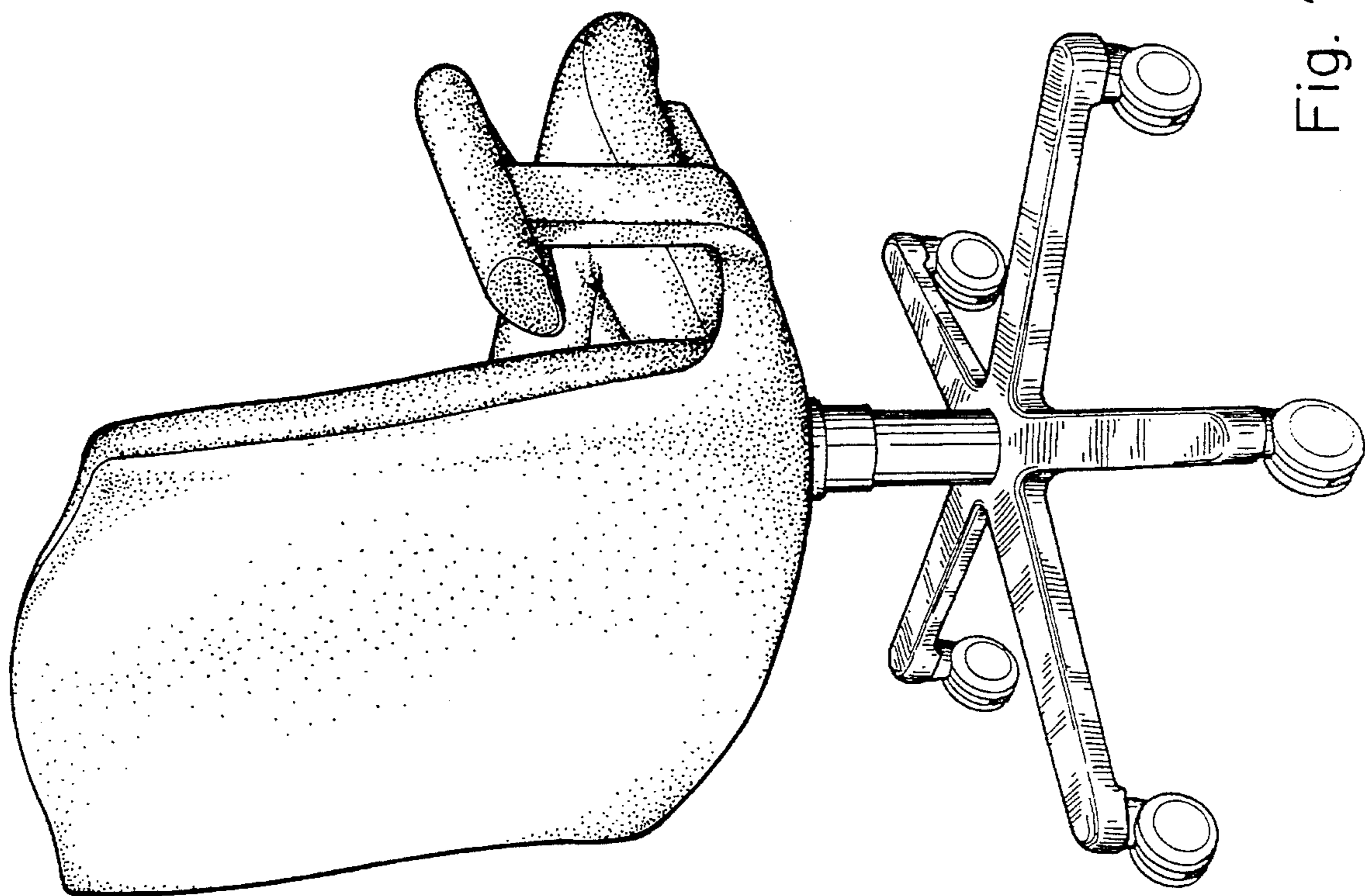


Fig. 12

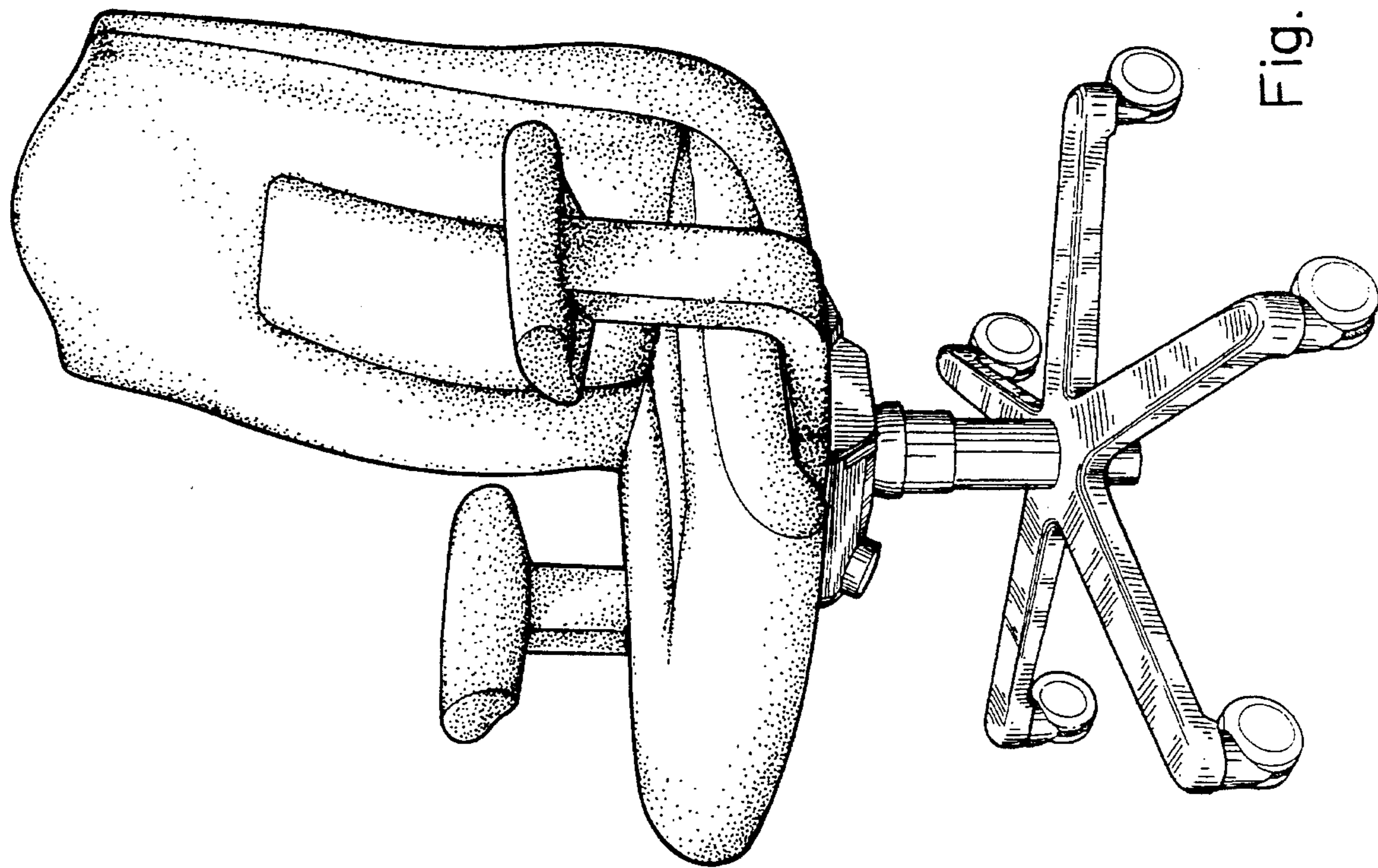


Fig. 11

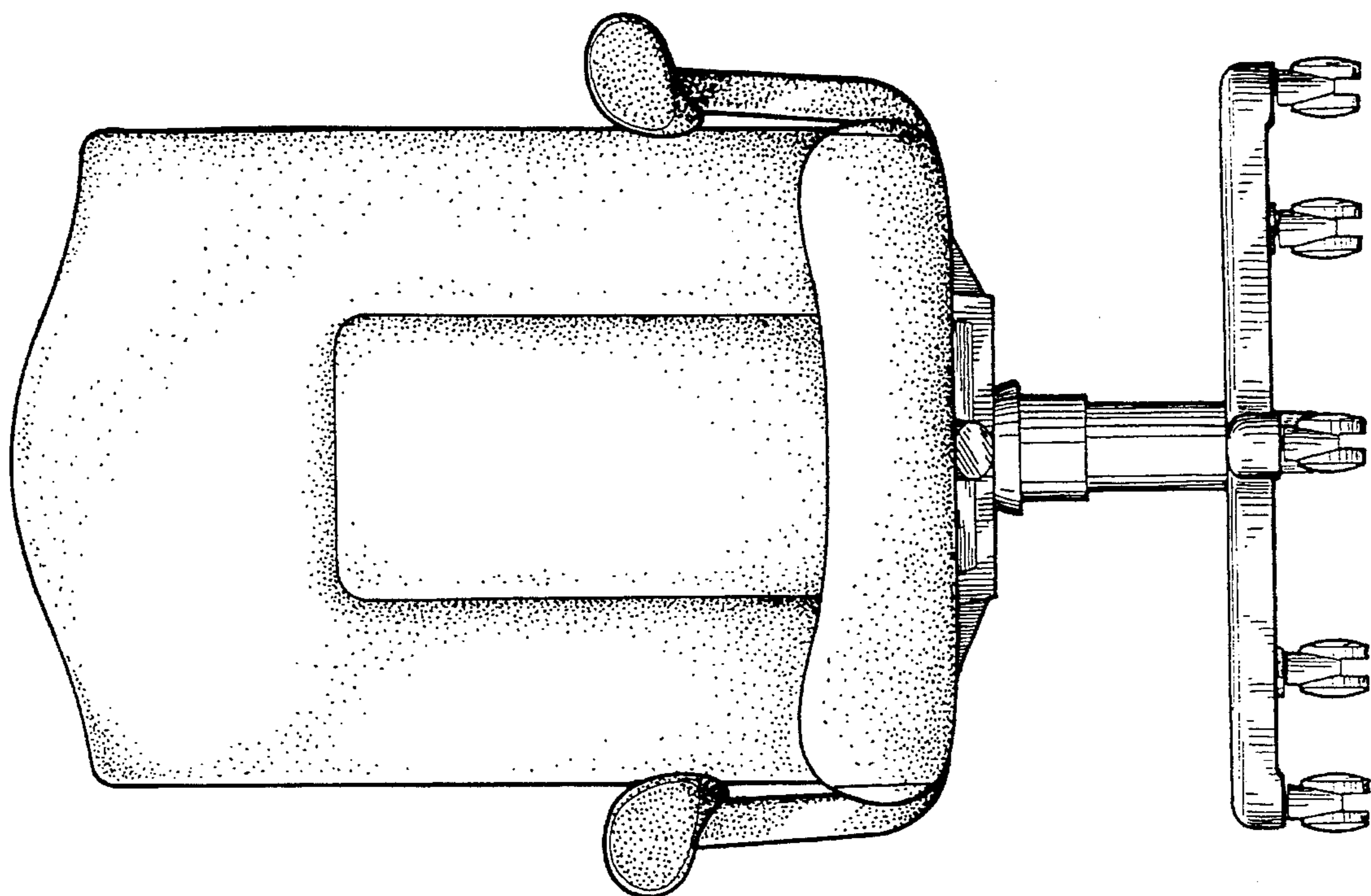


Fig. 14

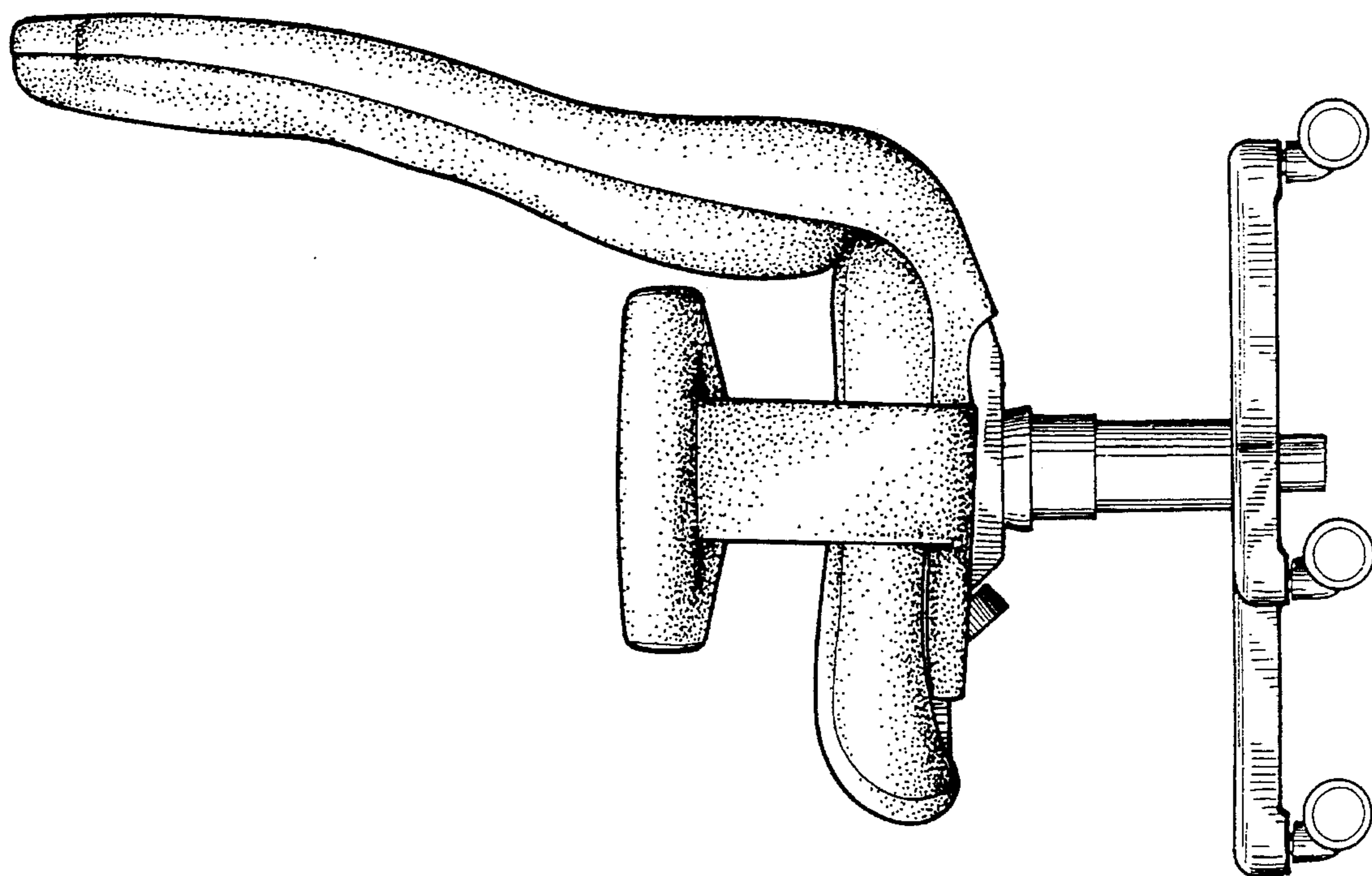


Fig. 13

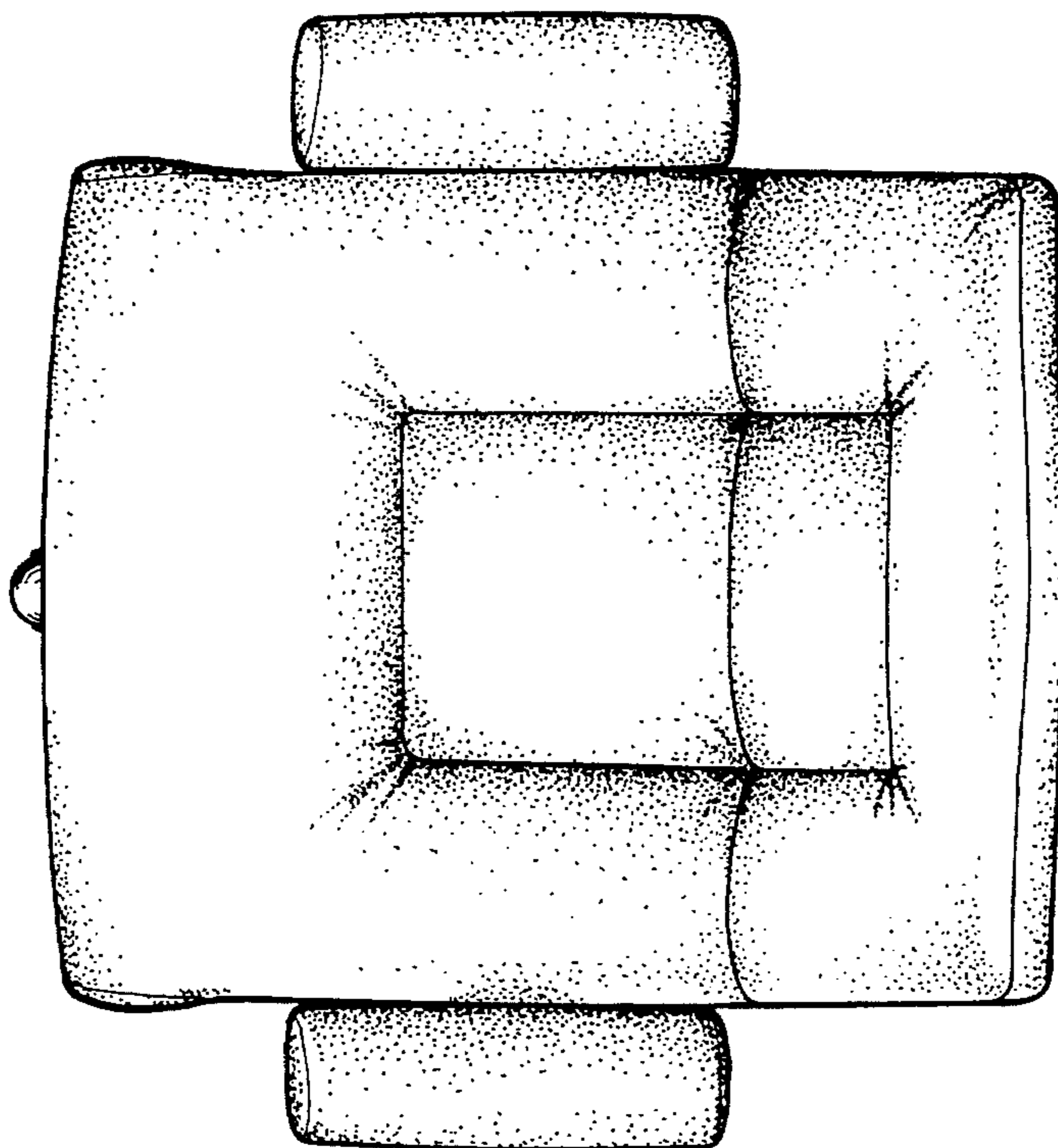


Fig. 16

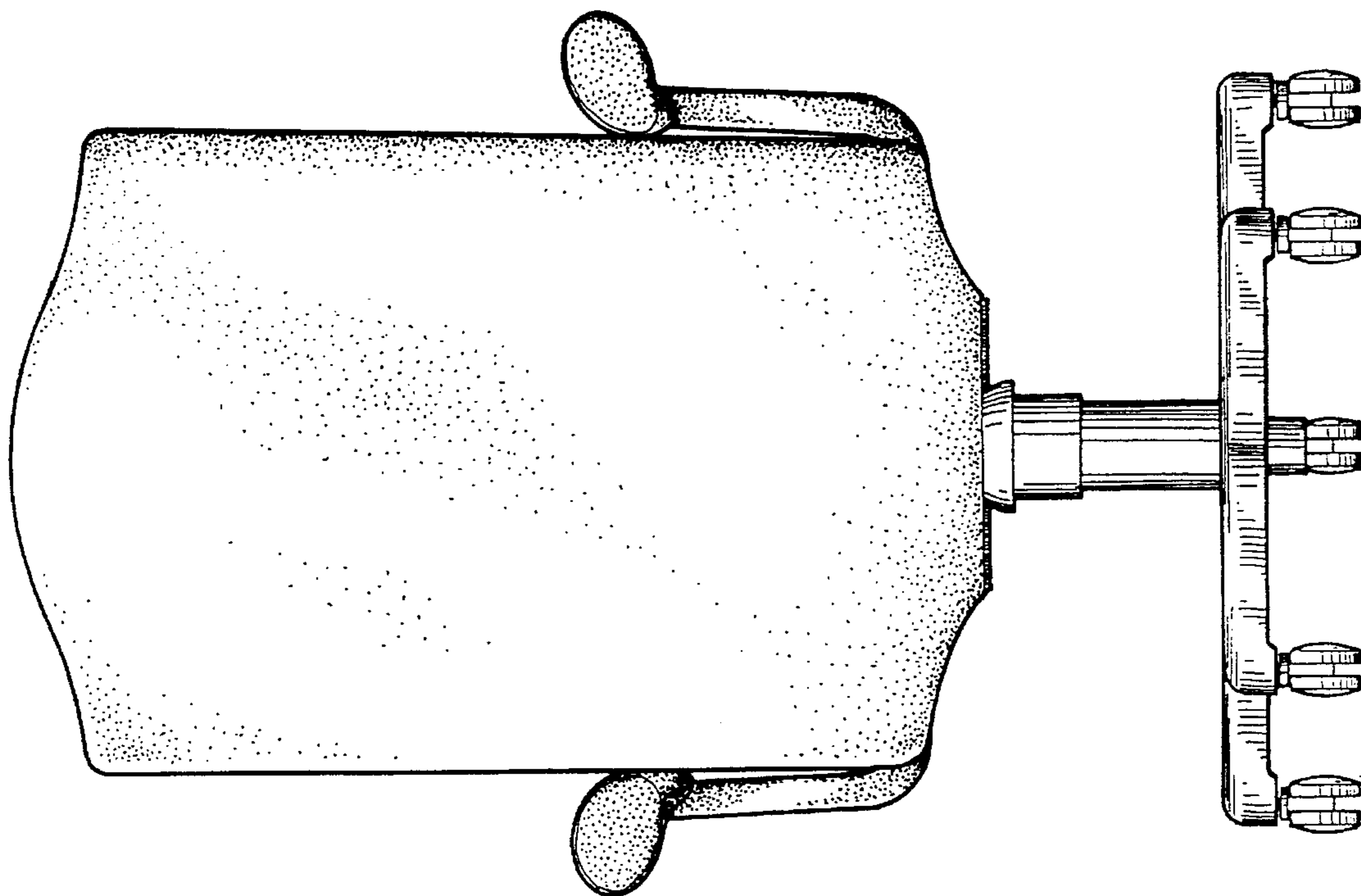


Fig. 15

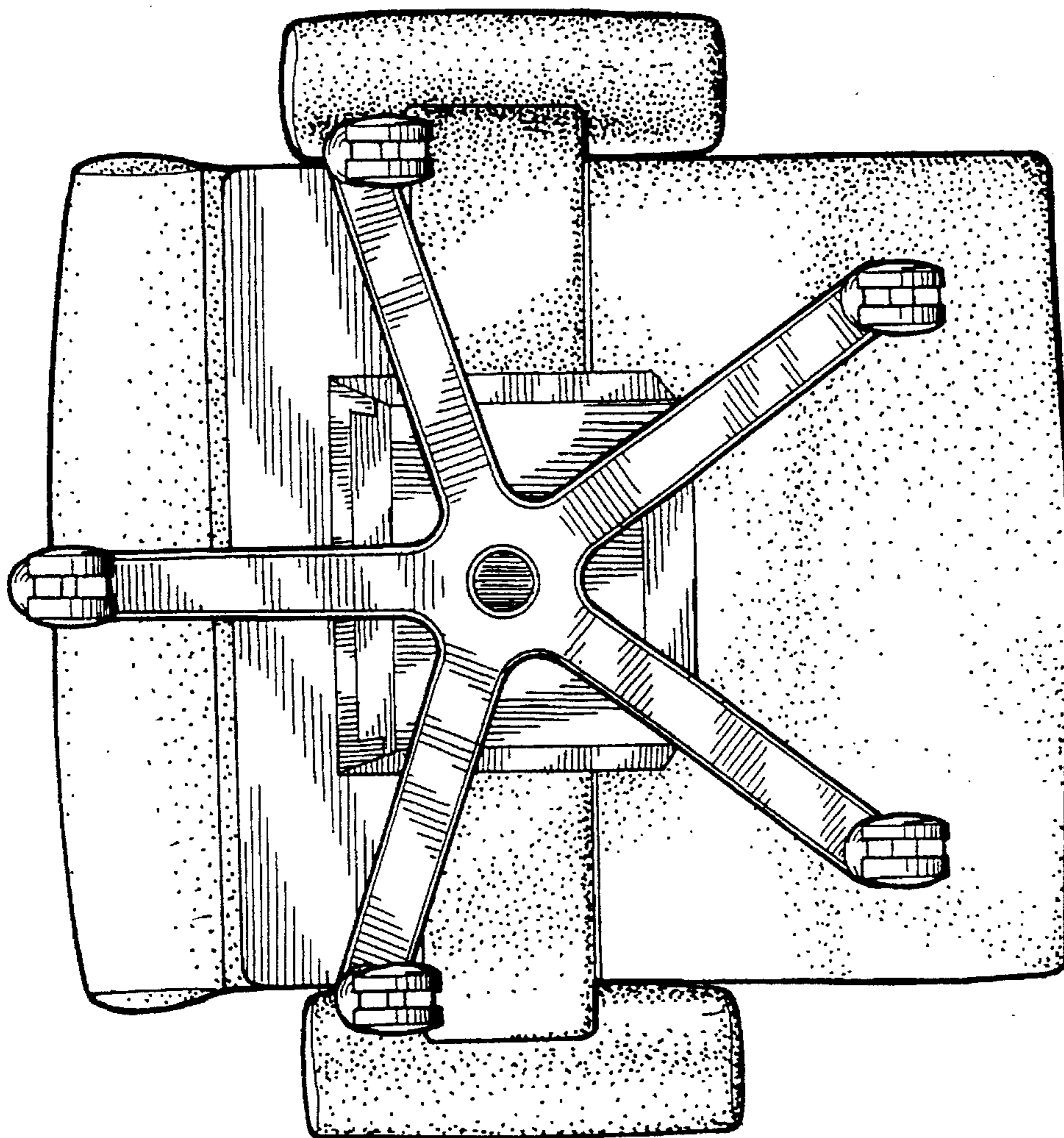


Fig. 17

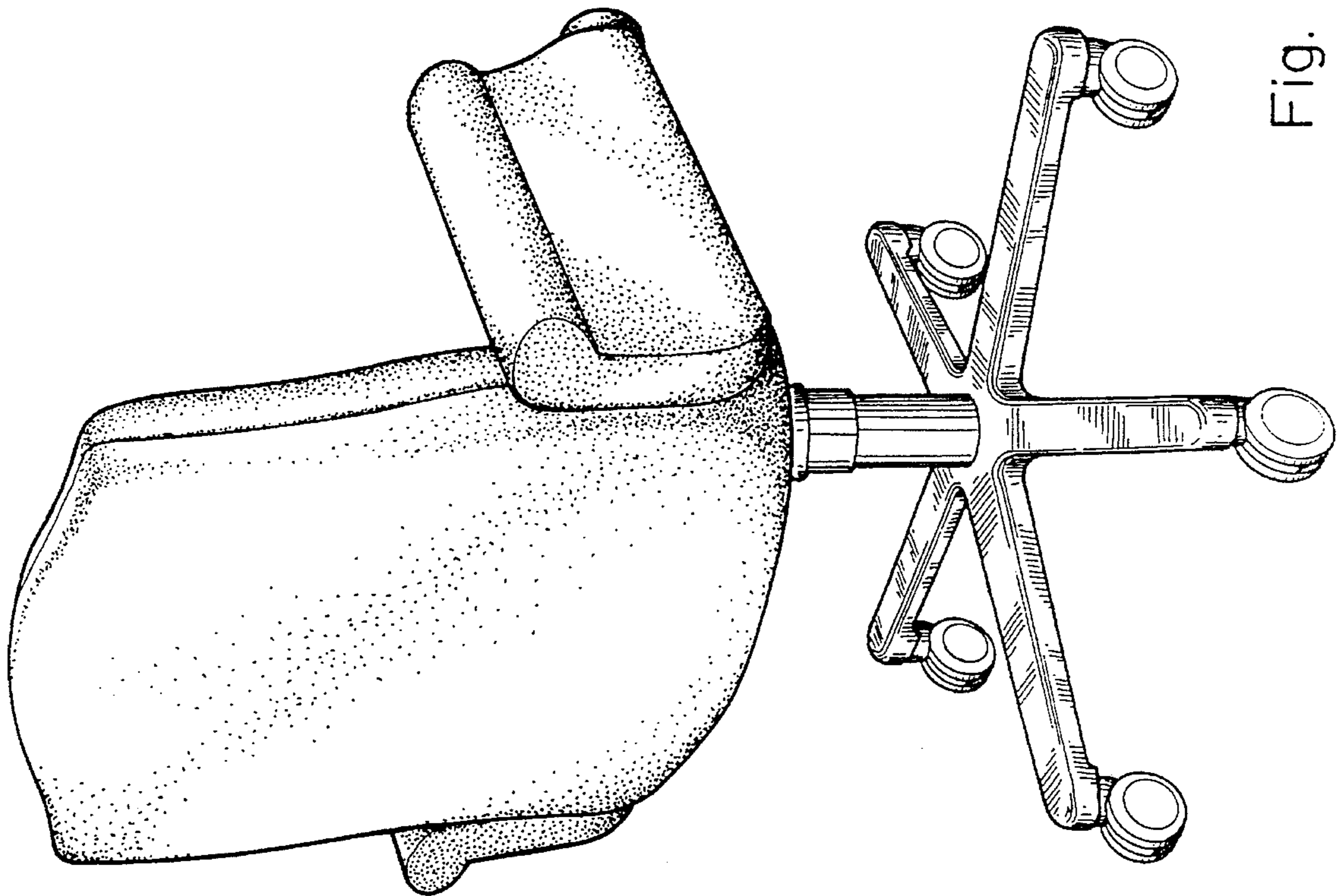


Fig. 19

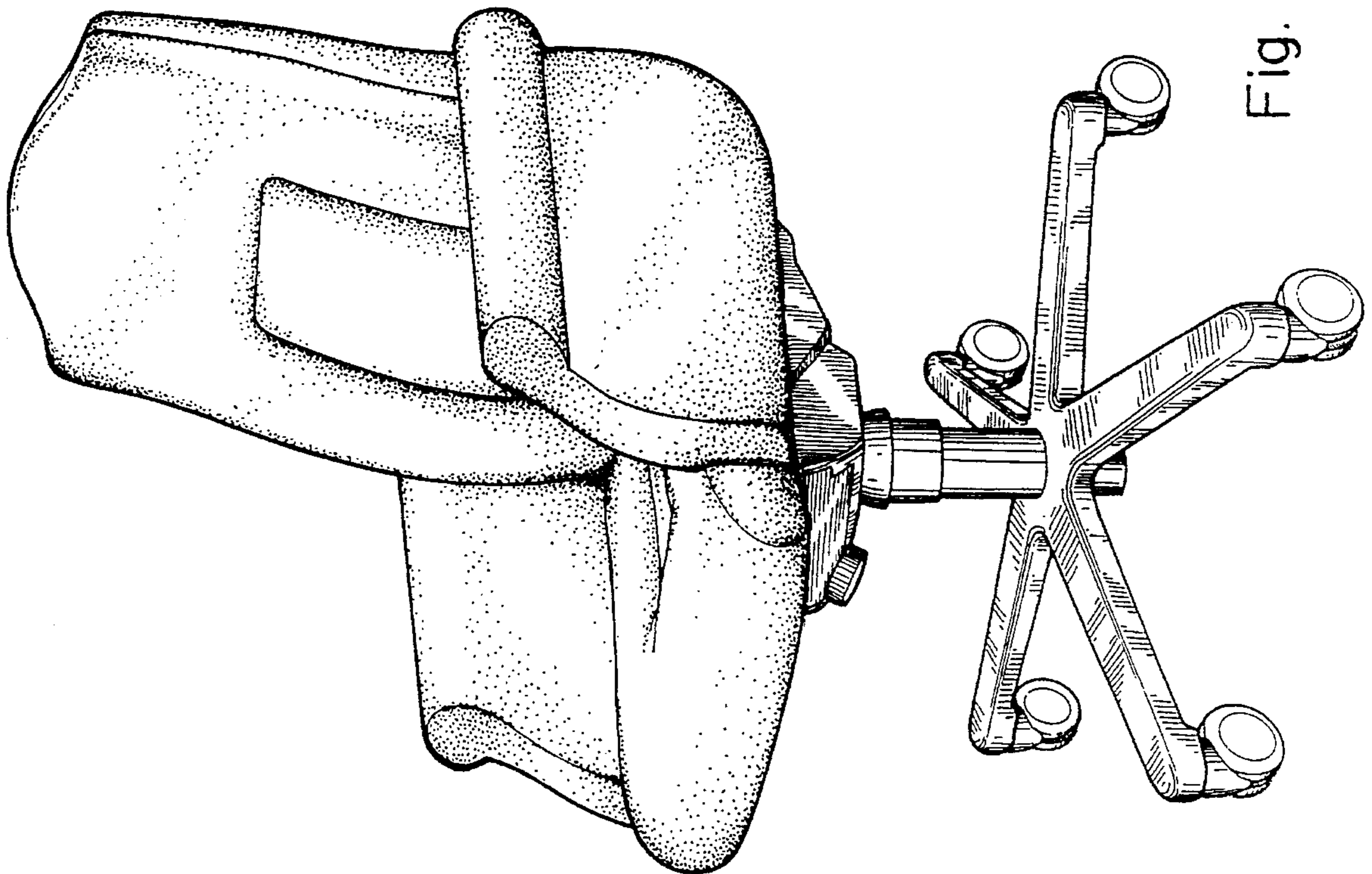


Fig. 18

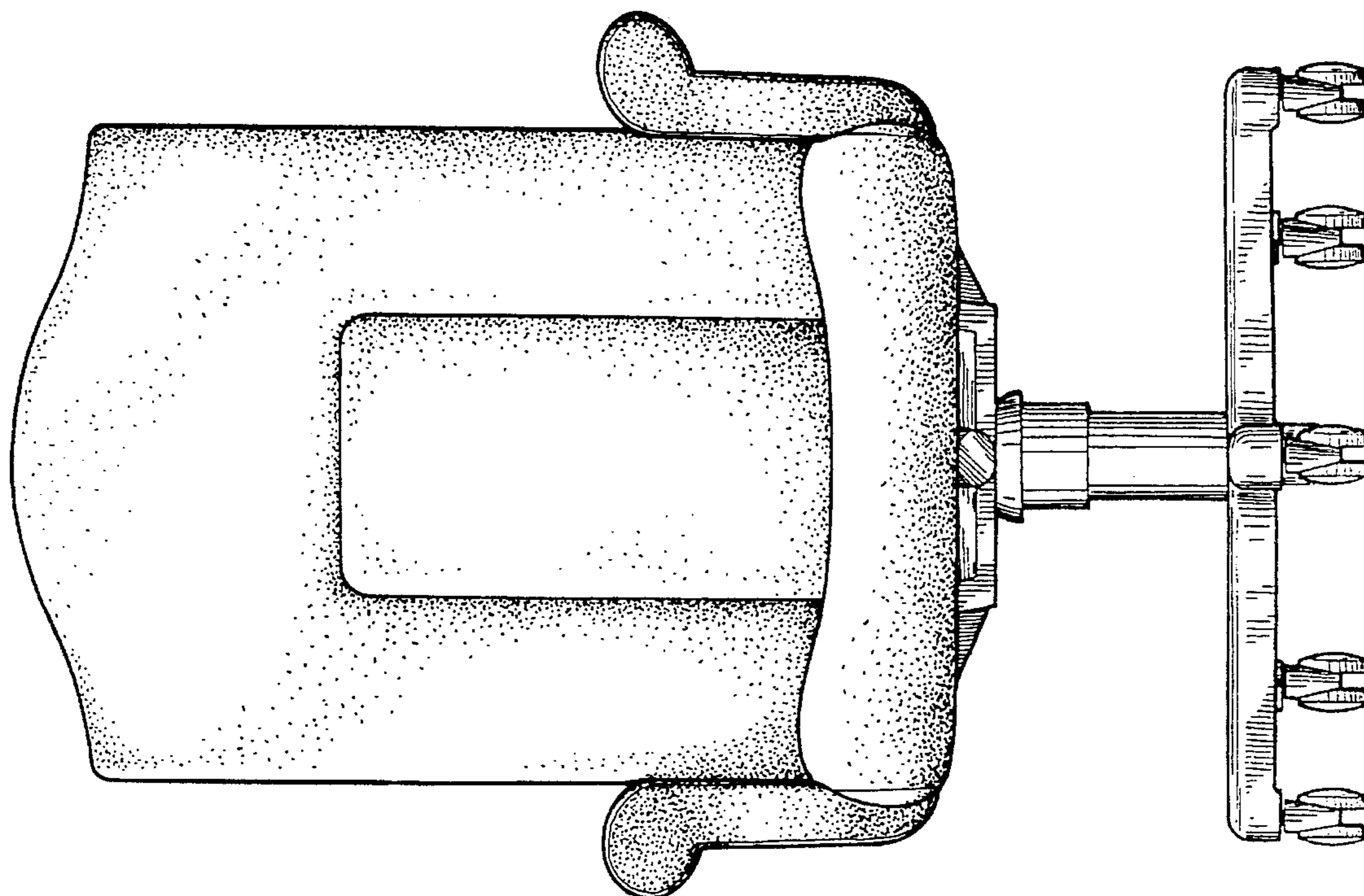


Fig. 21

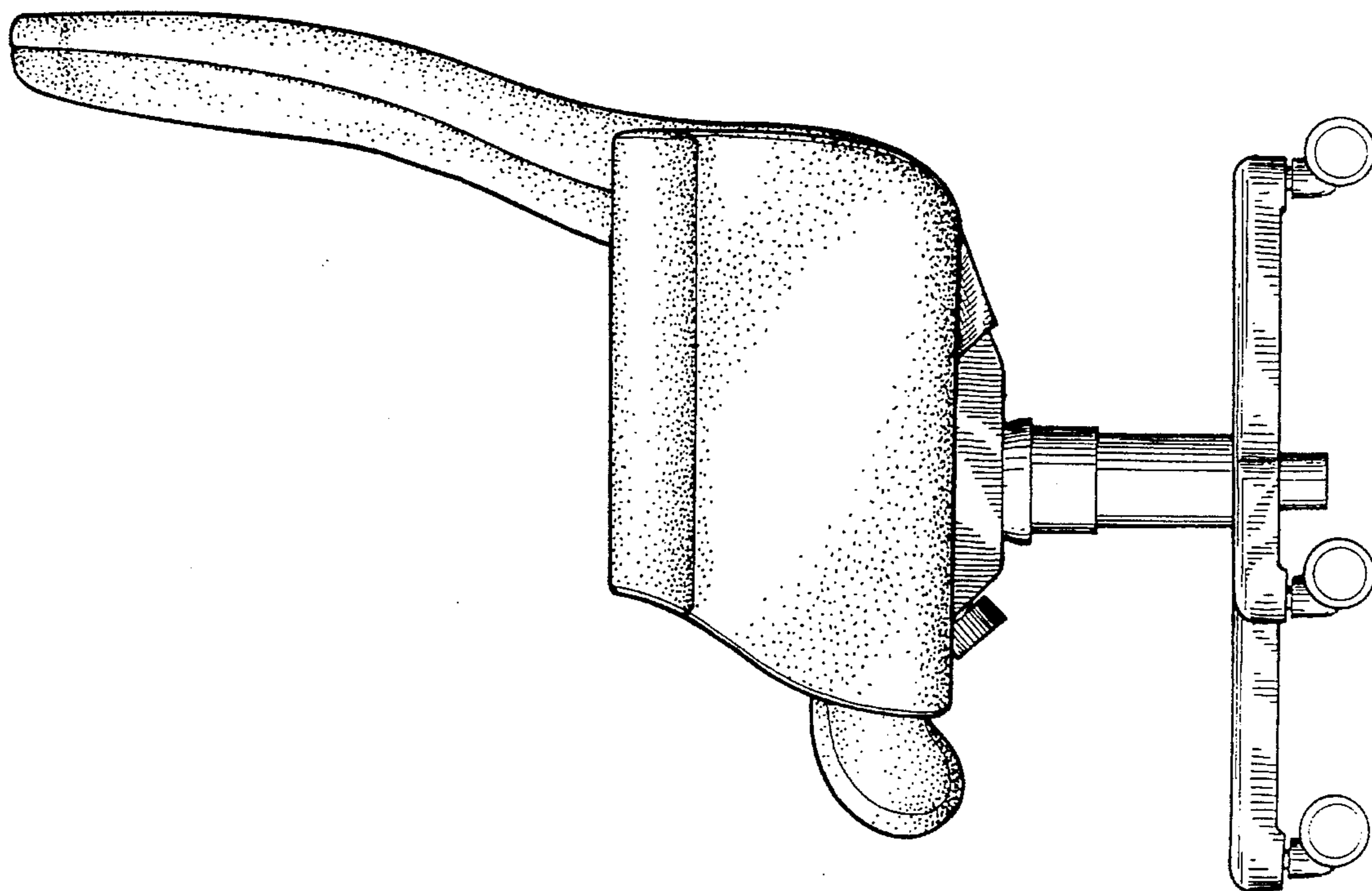


Fig. 20

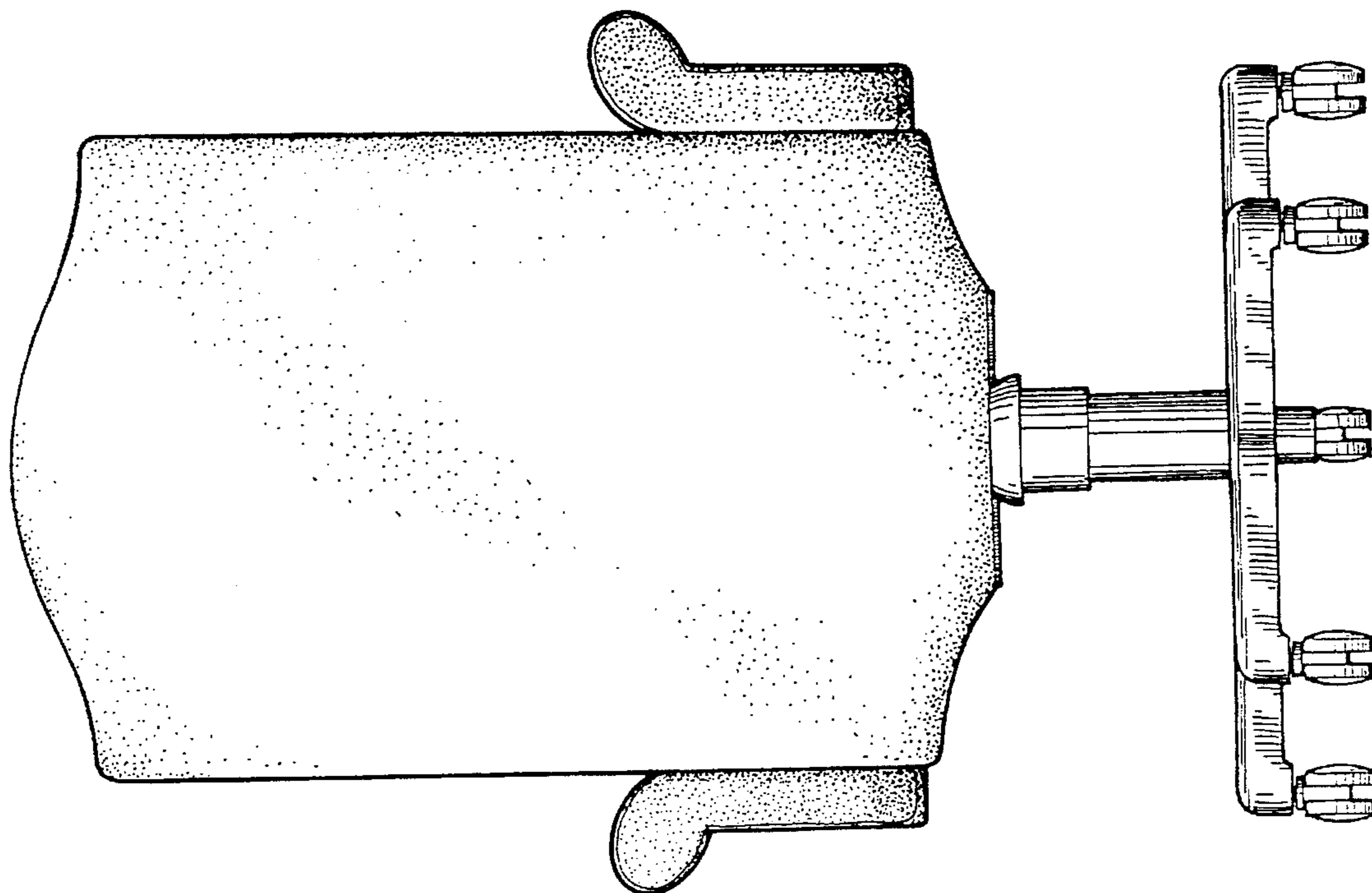


Fig. 22

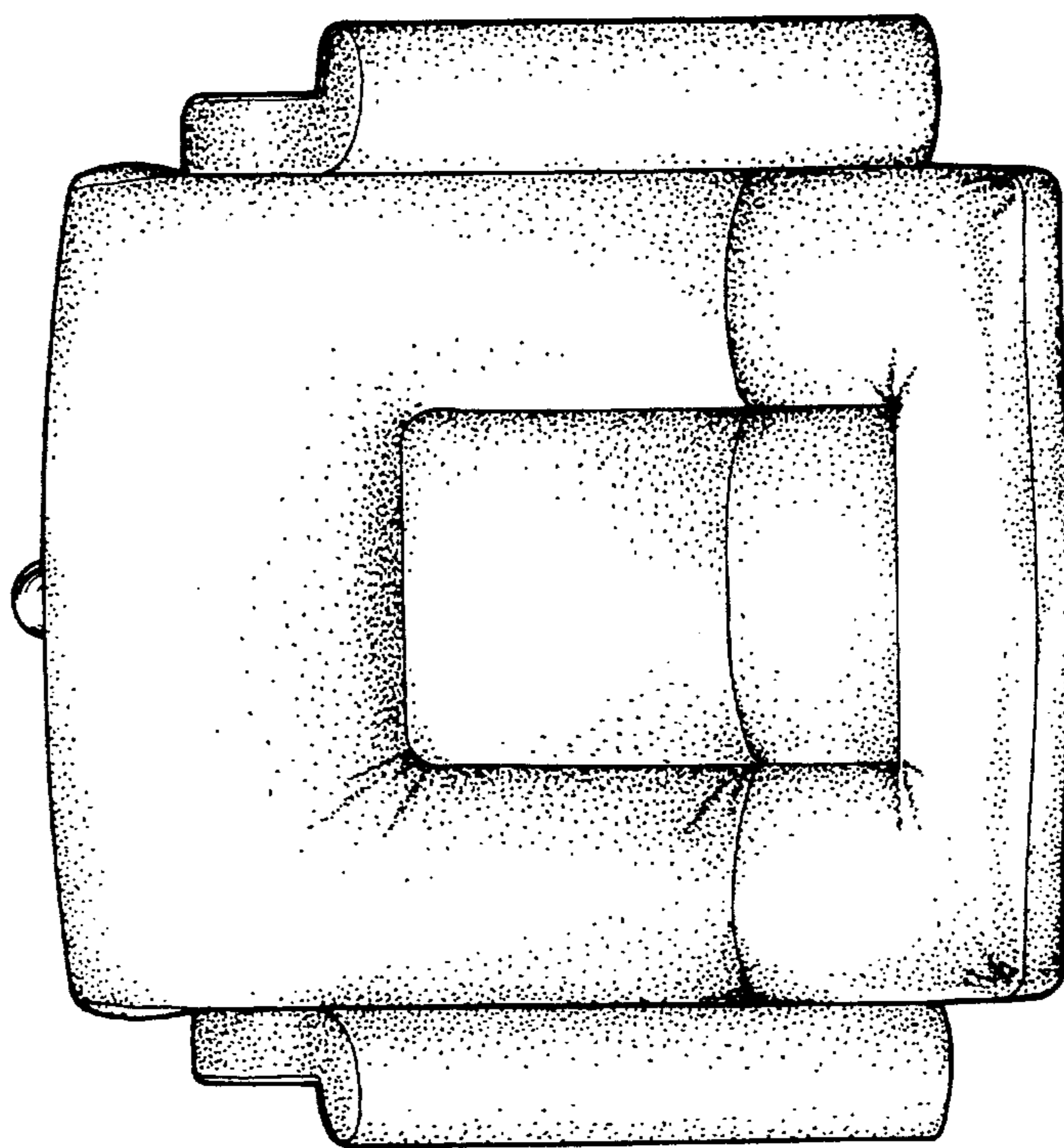


Fig. 23

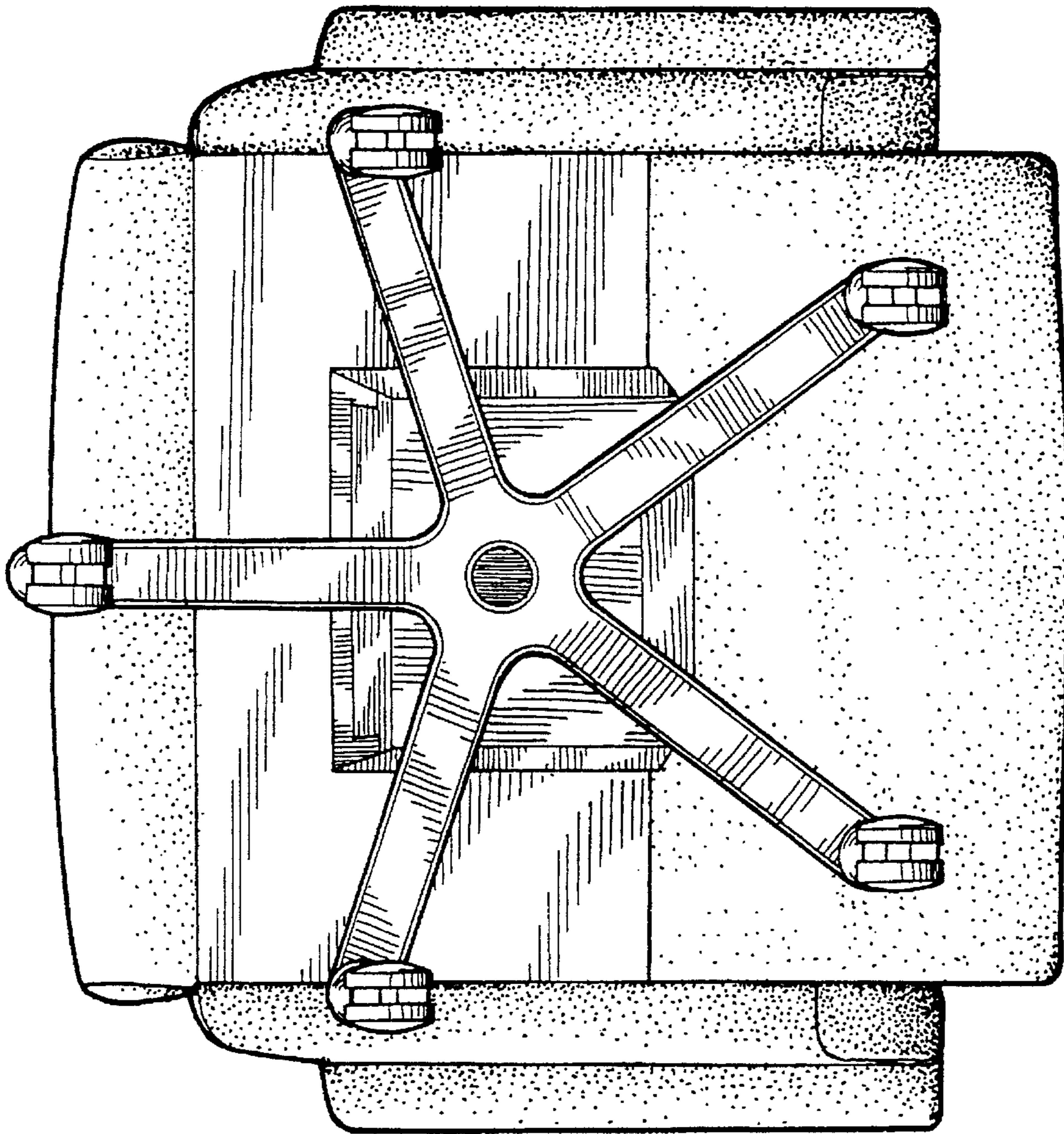


Fig. 24