



US00D370789S

# United States Patent [19] Groulx

[11] Patent Number: **Des. 370,789**

[45] Date of Patent: **\*\*Jun. 18, 1996**

[54] **CHAIR**

[75] Inventor: **James M. Groulx**, Owensboro, Miss.

[73] Assignee: **Hon Industries, Inc.**, Muscatine, Iowa

[\*\*] Term: **14 Years**

[21] Appl. No.: **24,263**

[22] Filed: **Jun. 10, 1994**

[52] U.S. Cl. .... **D6/366**

[58] Field of Search ..... D6/334, 365, 366,  
D6/379, 500, 501, 502; 297/411.42, 411.44

[56] **References Cited**

**U.S. PATENT DOCUMENTS**

D. 241,288	9/1976	Tacke	.....	D6/366
D. 244,972	7/1977	Lübke	.....	D6/366
D. 250,618	12/1978	Bivas et al.	.....	D6/366
D. 257,917	1/1981	Ball	.....	D6/366
D. 259,750	7/1981	Buhk	.....	D6/366
D. 269,743	7/1983	Müller-Deisig	.....	D6/366
D. 270,874	10/1983	Ochsner	.....	D6/366

**OTHER PUBLICATIONS**

Harter Corporation, chair at top left.  
Interiors, May 1973, p. 89, Chromcraft chair shown.  
Interiors, May 1973, p. 143, Thonet chair at top left.  
Design, Aug. 1982, p. 16, Sedus chair at bottom left.  
Interiors New Product Portfolio, Arcadia chair at left of  
bottom right frame.

*Primary Examiner*—Gary D. Watson  
*Attorney, Agent, or Firm*—Jones, Day, Reavis & Poque

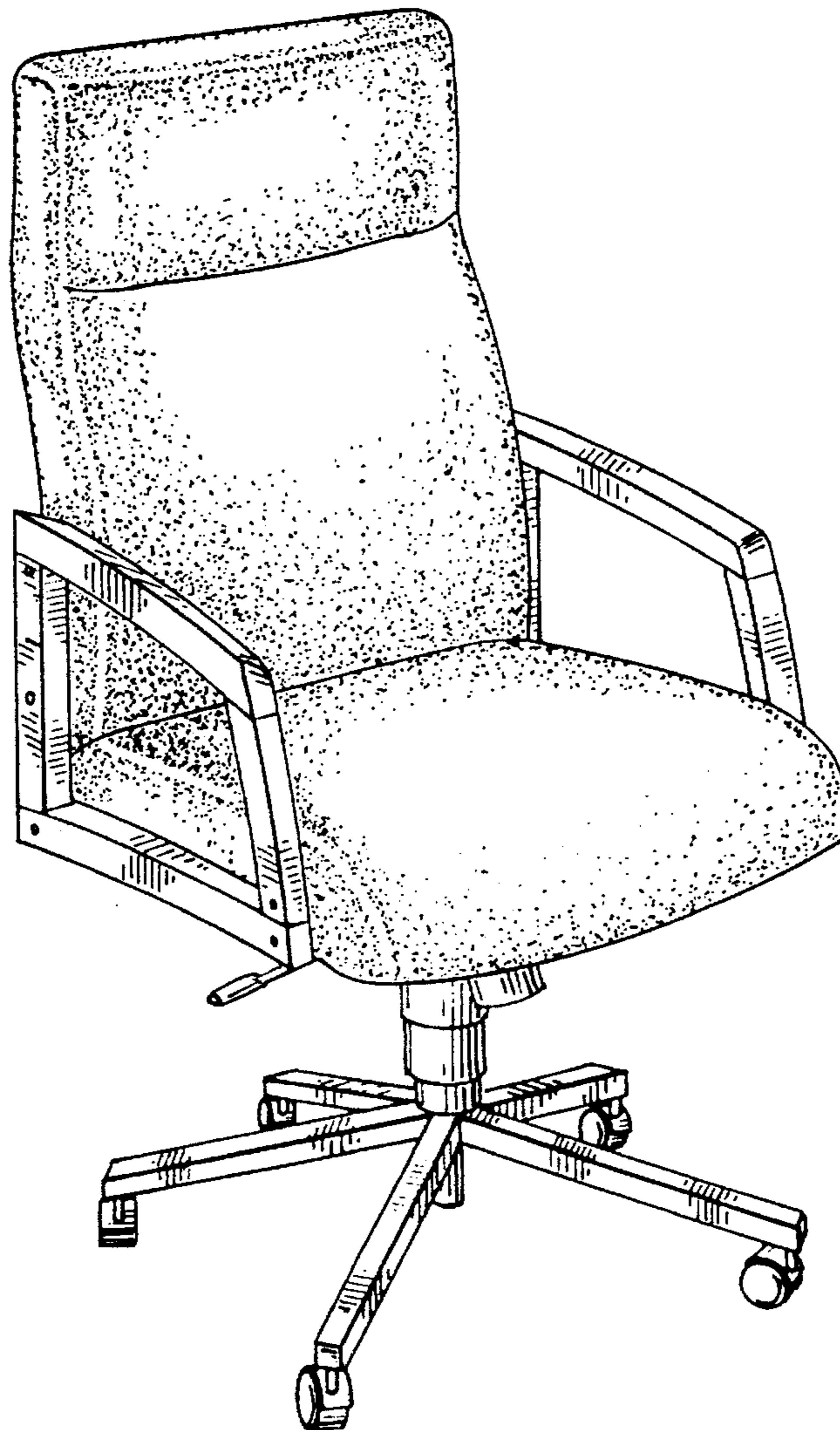
[57] **CLAIM**

The ornamental design for a chair, as shown.

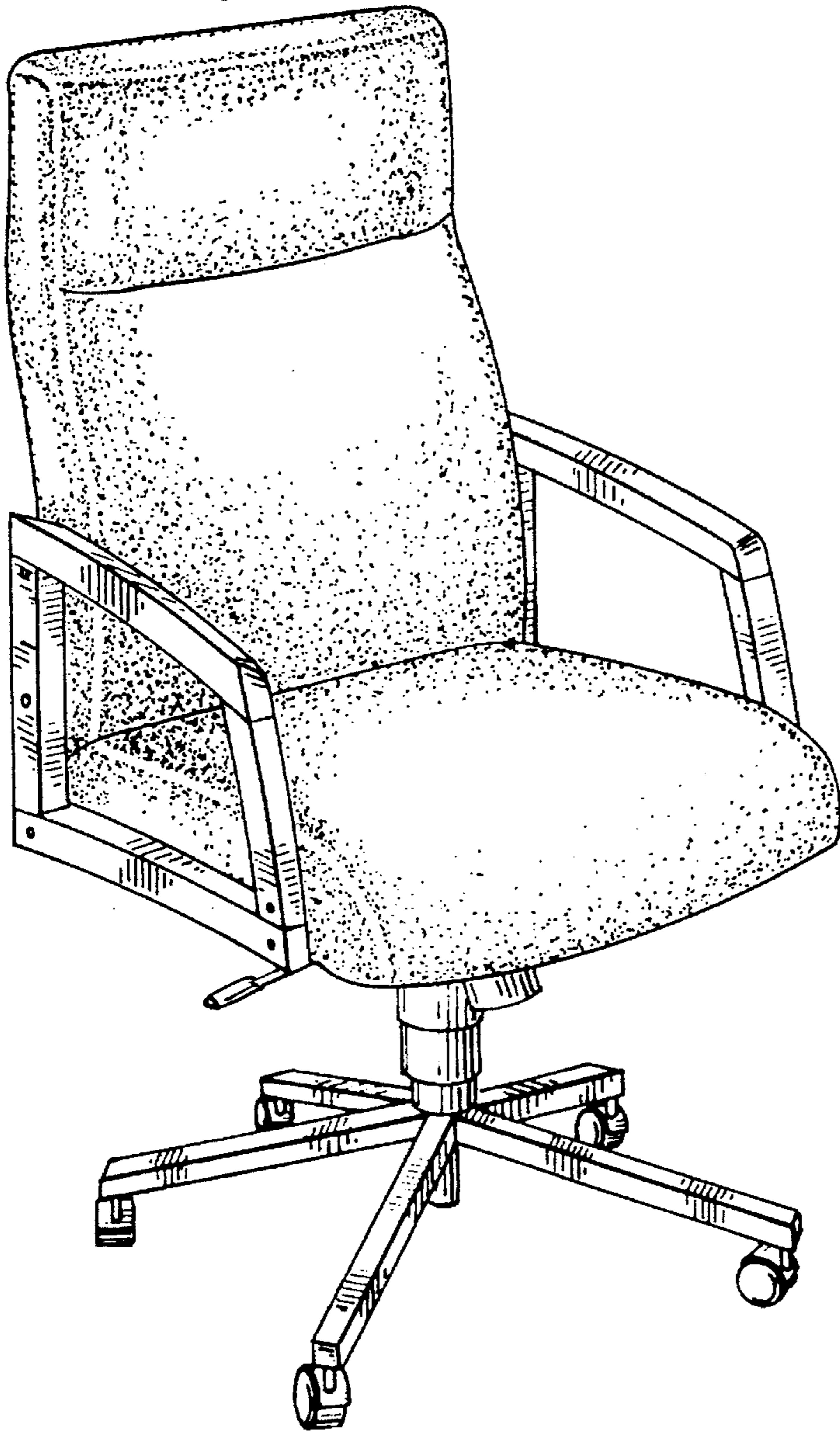
**DESCRIPTION**

FIG. 1 is a right side perspective view of the chair showing my new design;  
FIG. 2 is a left side view thereof;  
FIG. 3 is a top view thereof;  
FIG. 4 is a front view thereof;  
FIG. 5 is a rear view thereof; and,  
FIG. 6 is a bottom view thereof.

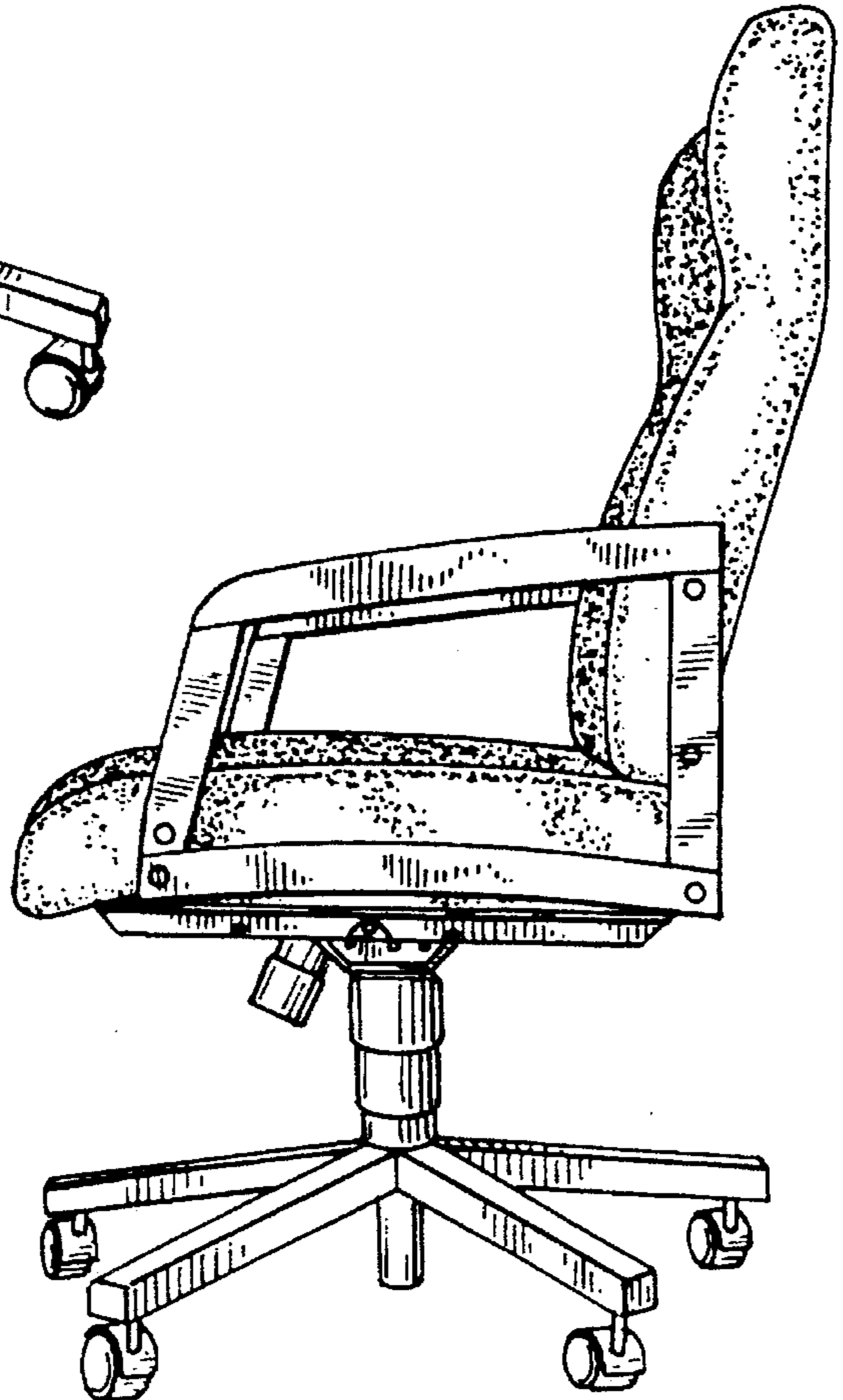
**1 Claim, 3 Drawing Sheets**



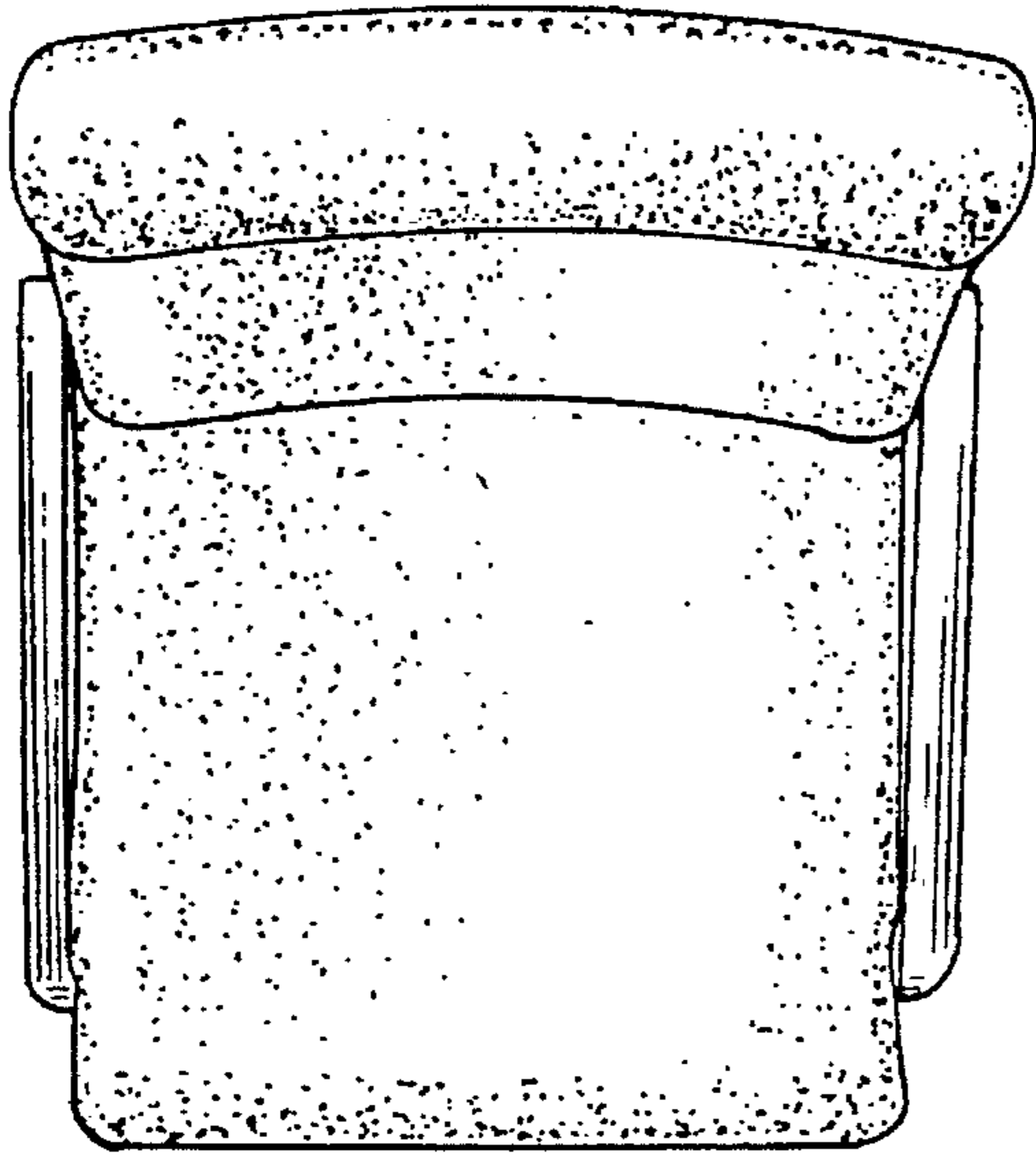
**Fig. 1**



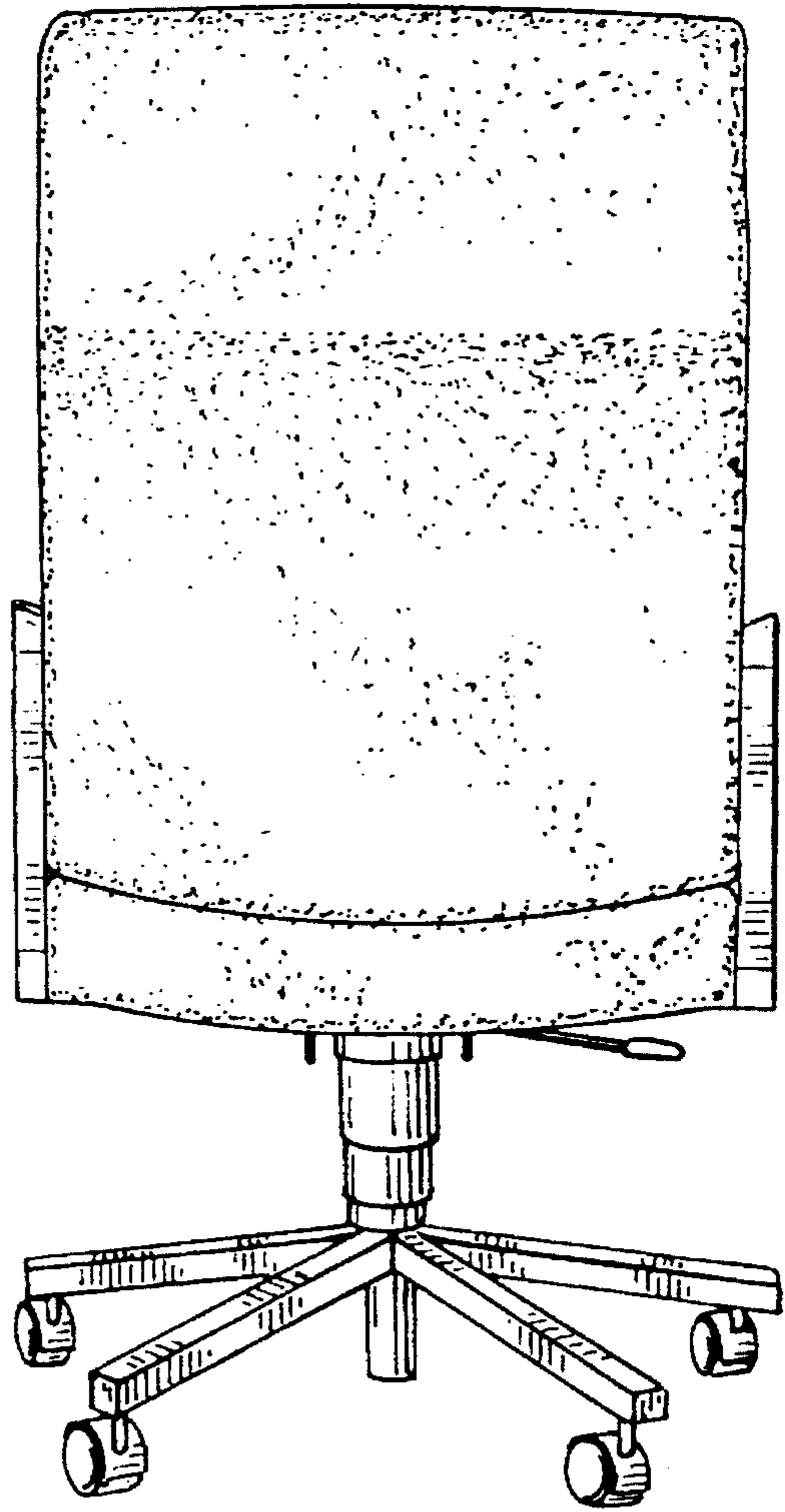
**Fig. 2**



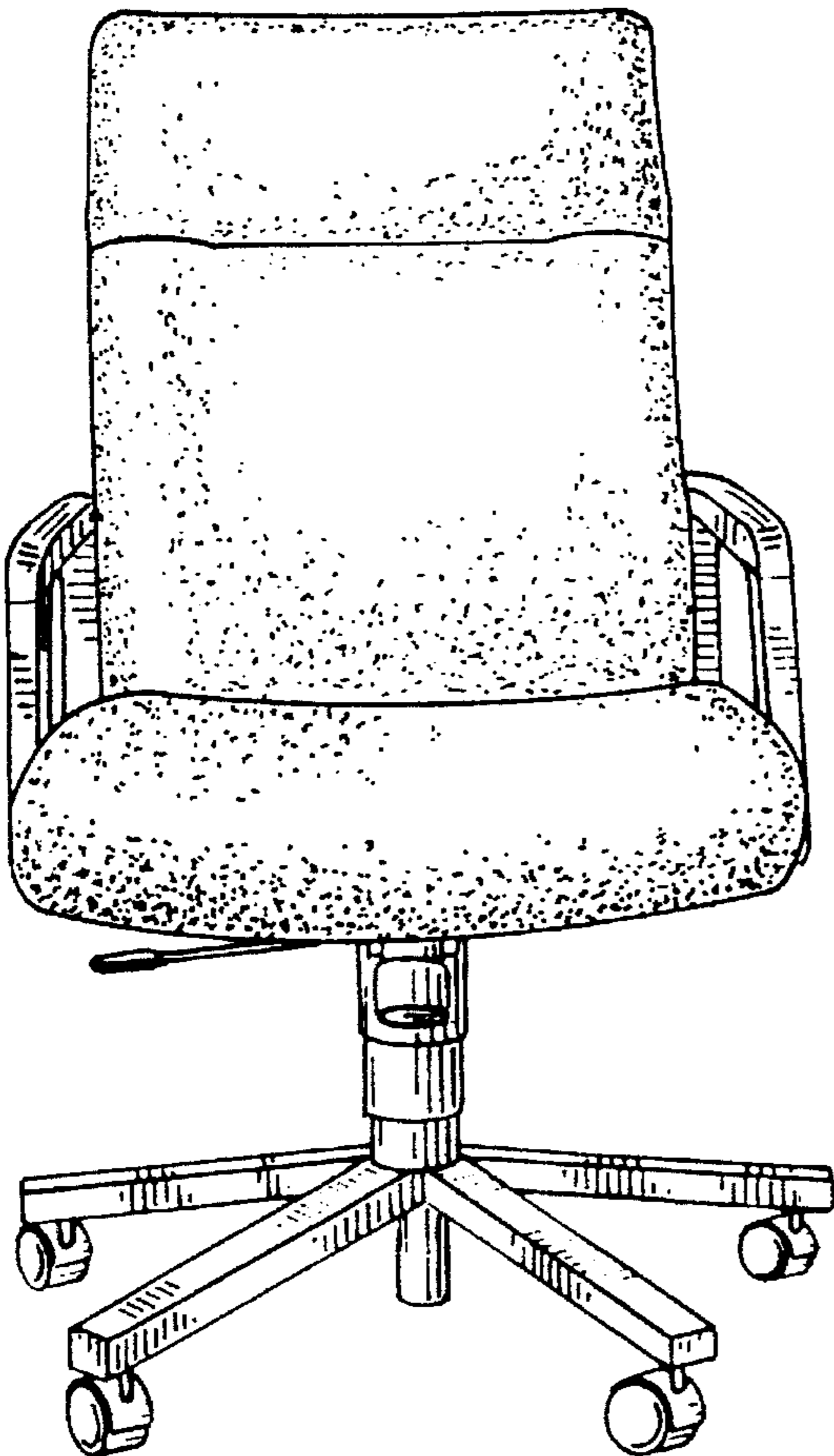
**Fig. 3**



**Fig. 5**



**Fig. 4**



# Fig. 6

