



US00D370786S

# United States Patent [19]

Eisenbraun

[11] Patent Number: **Des. 370,786**

[45] Date of Patent: **\*\*Jun. 18, 1996**

[54] **HEART-SHAPED CLIP-ON MIRROR**

The Stitchery Catalog, 1988, p. 48, #B frame.

[75] Inventor: **Kenneth D. Eisenbraun**, Birmingham, Mich.

*Primary Examiner*—Janice E. Seeger  
*Attorney, Agent, or Firm*—Gifford, Krass, Groh, Sprinkle, Patmore, Anderson & Citkowski

[73] Assignee: **United Industrial Trading Corp.**, Troy, Mich.

[\*\*] Term: **14 Years**

[57] **CLAIM**

[21] Appl. No.: **43,350**

The ornamental design for a heart-shaped clip-on mirror, as shown and described.

[22] Filed: **Sep. 5, 1995**

[52] U.S. Cl. .... **D6/303**

[58] Field of Search ..... D6/300-303, 308-314;  
D20/10, 42; 40/152, 152.1, 154-156, 158.1,  
159.1, 159.2; D8/395

**DESCRIPTION**

[56] **References Cited**

**U.S. PATENT DOCUMENTS**

D. 50,058	12/1916	Clement	.....	D6/300
D. 291,532	8/1987	Hill	.....	D8/395
4,215,497	8/1980	Levy	.....	40/661

**OTHER PUBLICATIONS**

New Yorker, Nov. 25, 1950, p. 60, heart frame.  
Frames Unlimited, 1992, p. 18, #4427 frame.  
Gift and Decorative Accessories, Dec. 1978, p. 157, heart mirror.

FIG. 1 is a front elevational view of a heart-shaped clip-on mirror showing my new design;

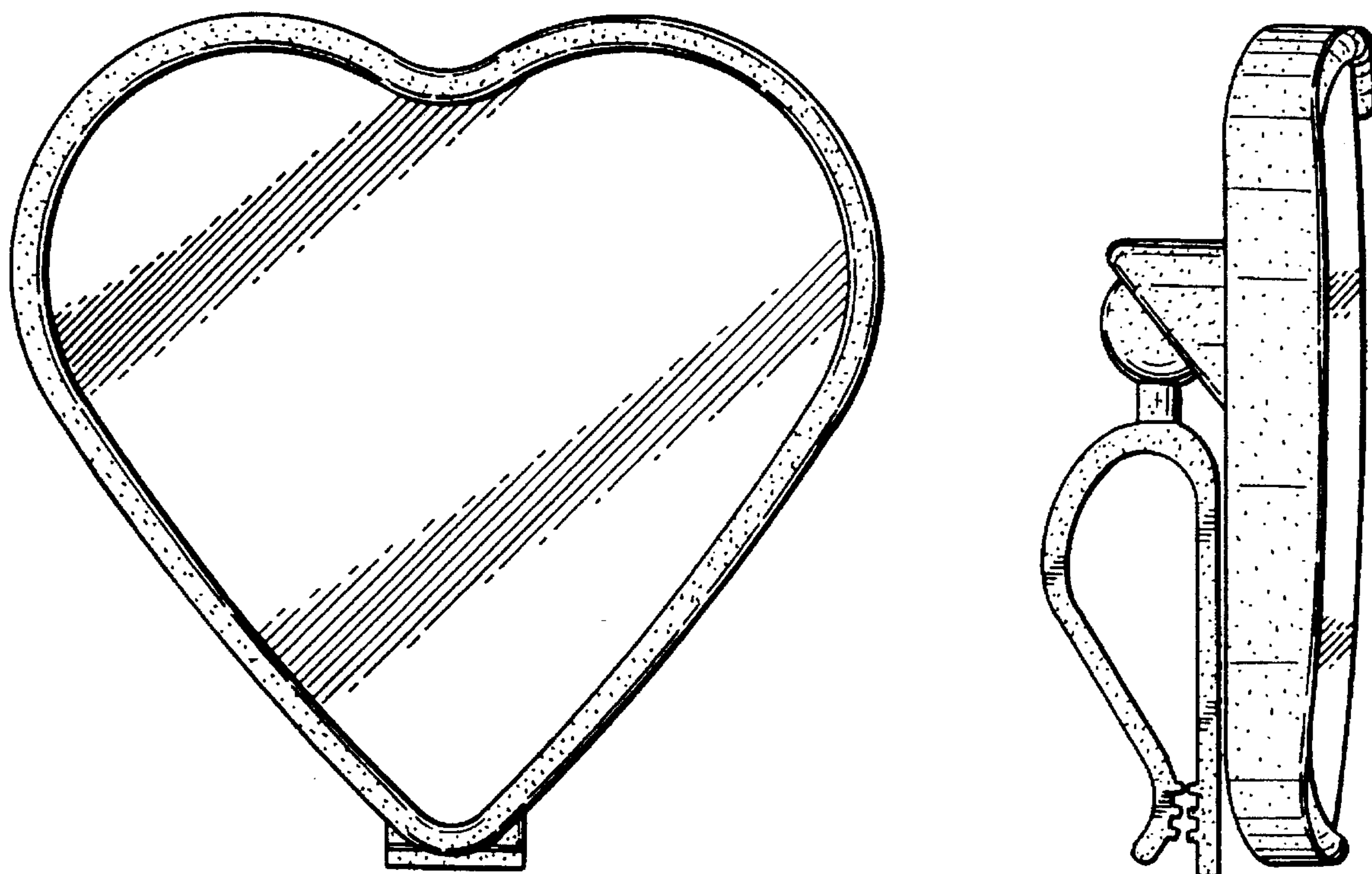
FIG. 2 is a side elevational view thereof, the opposite side being a mirror image;

FIG. 3 is a rear elevational view thereof;

FIG. 4 is a top plan view thereof; and,

FIG. 5 is a bottom plan view thereof.

**1 Claim, 1 Drawing Sheet**



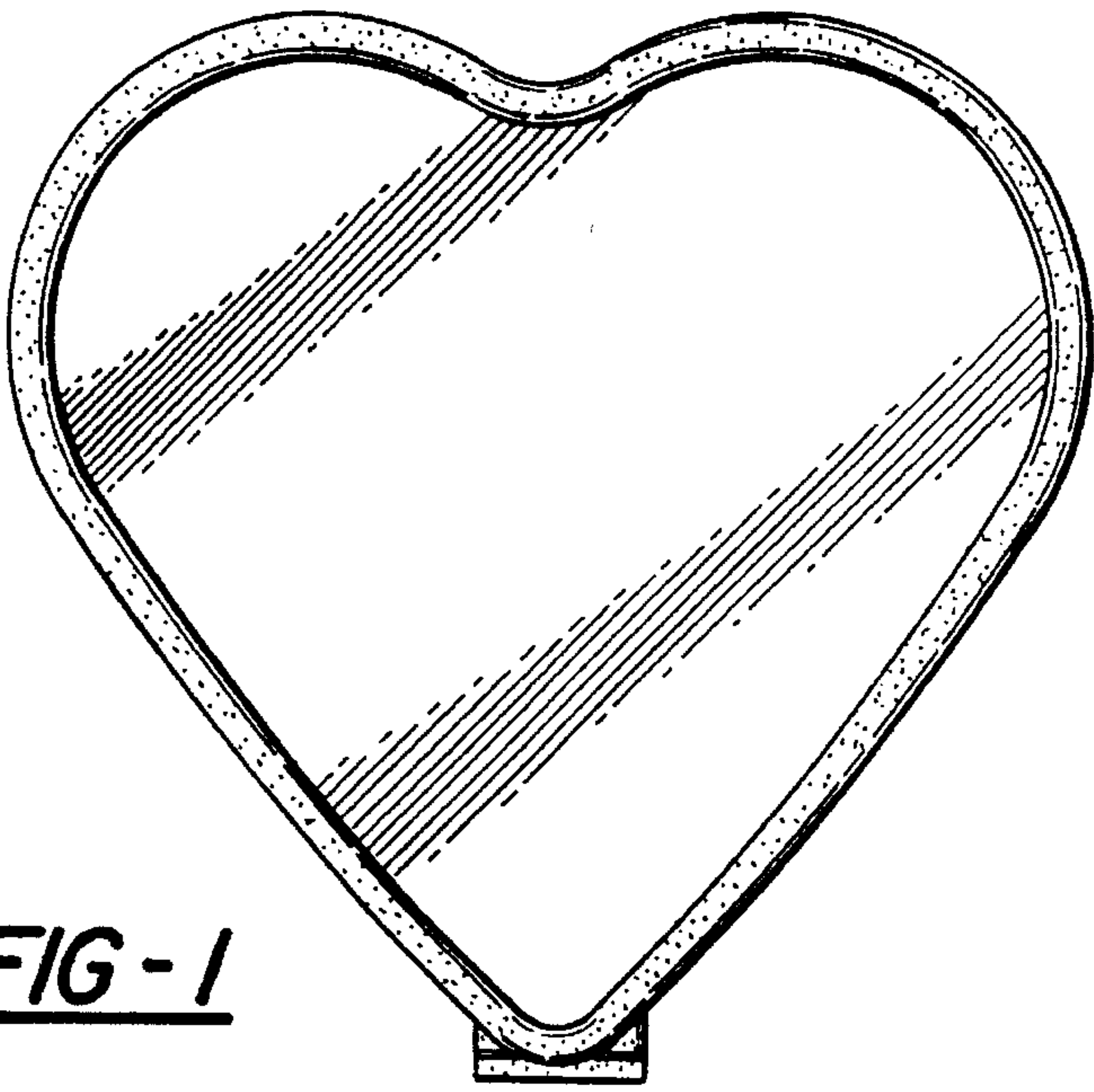


FIG-1

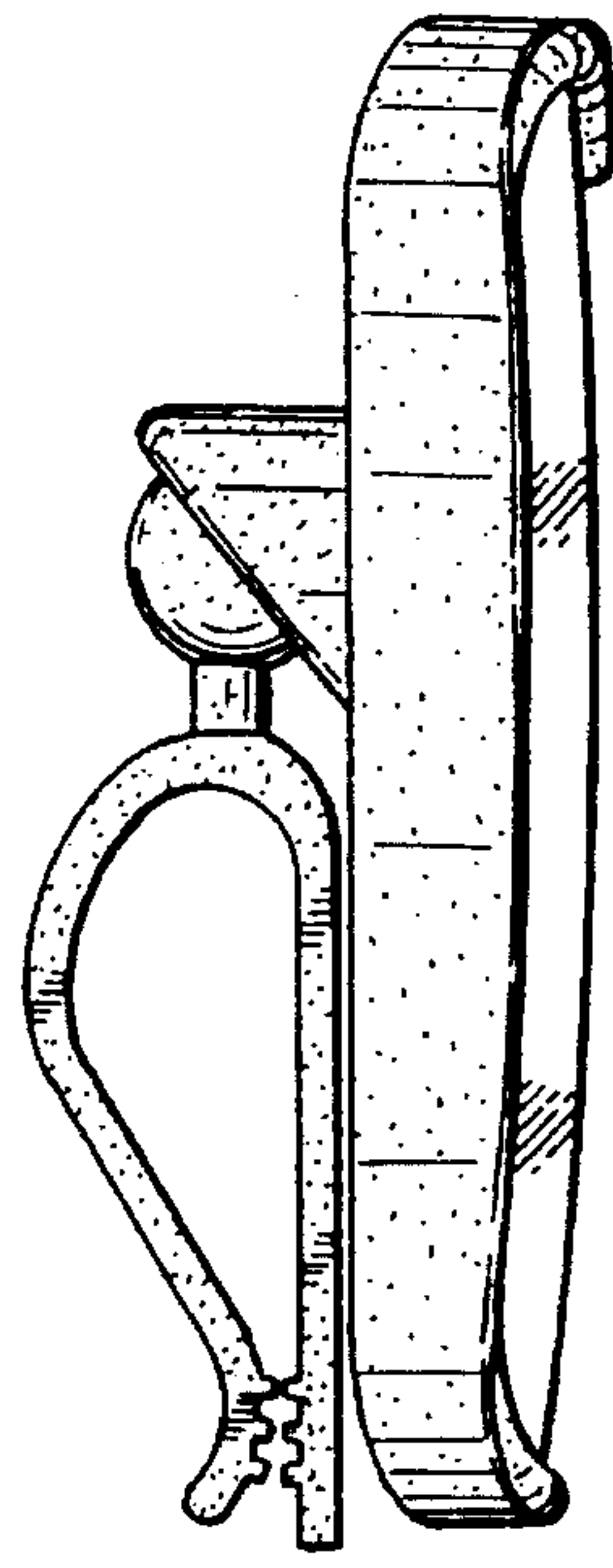


FIG-2

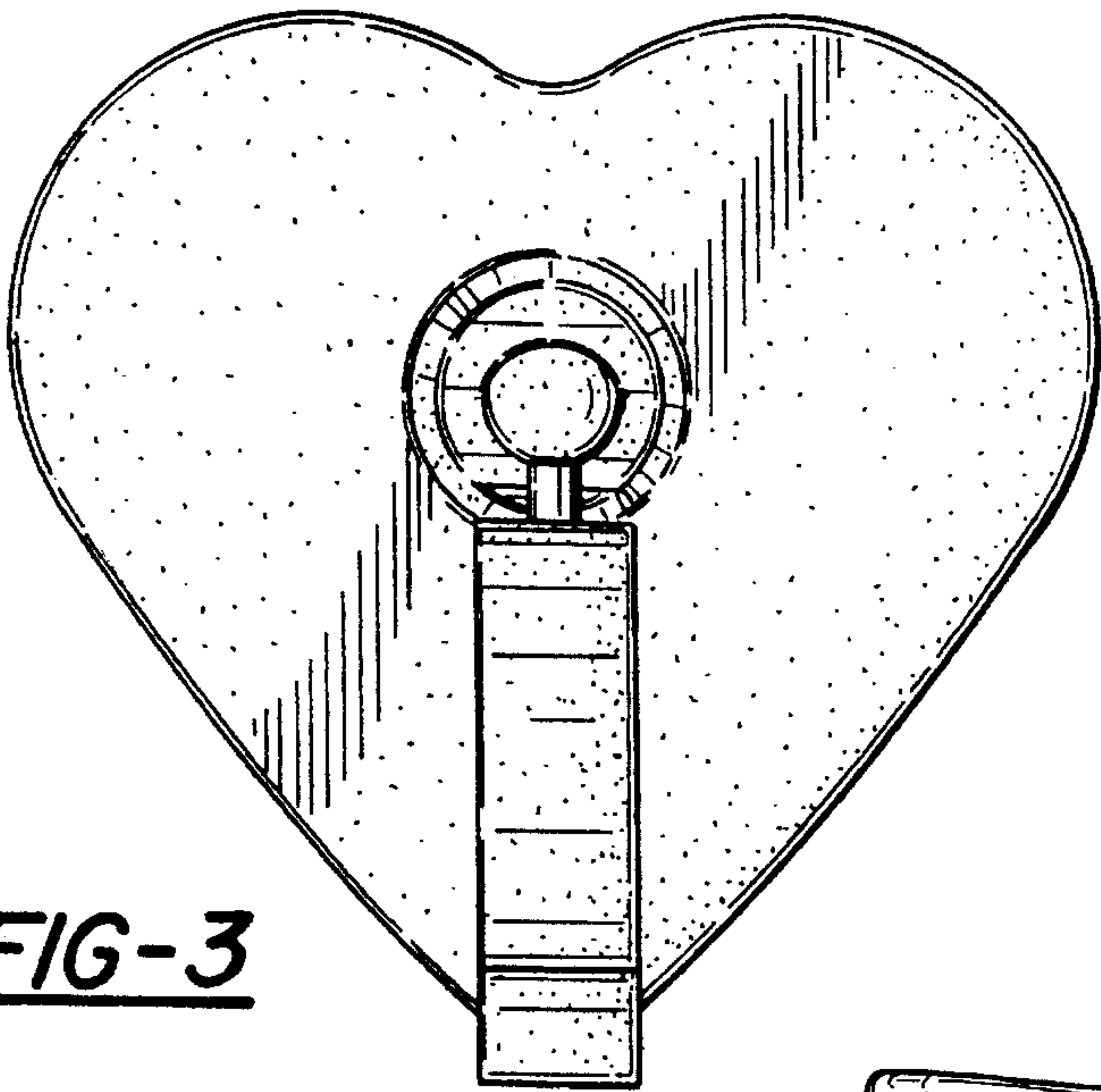


FIG-3

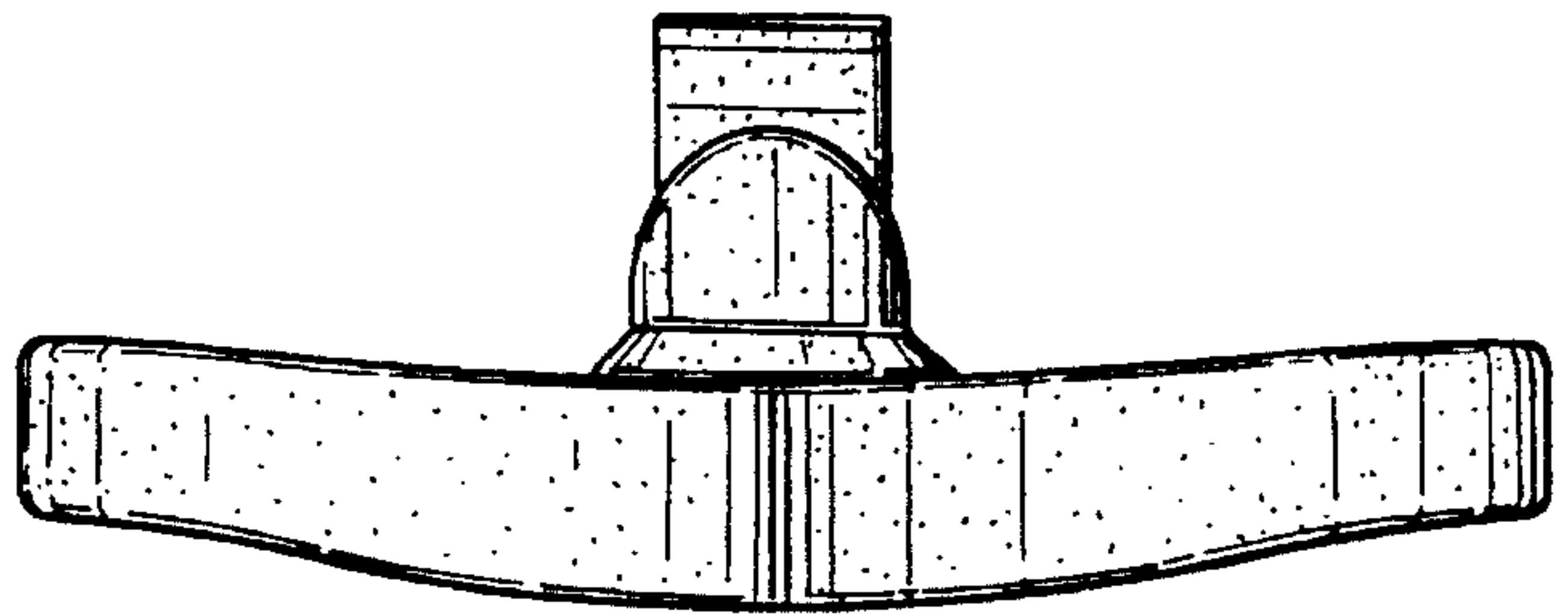


FIG-4

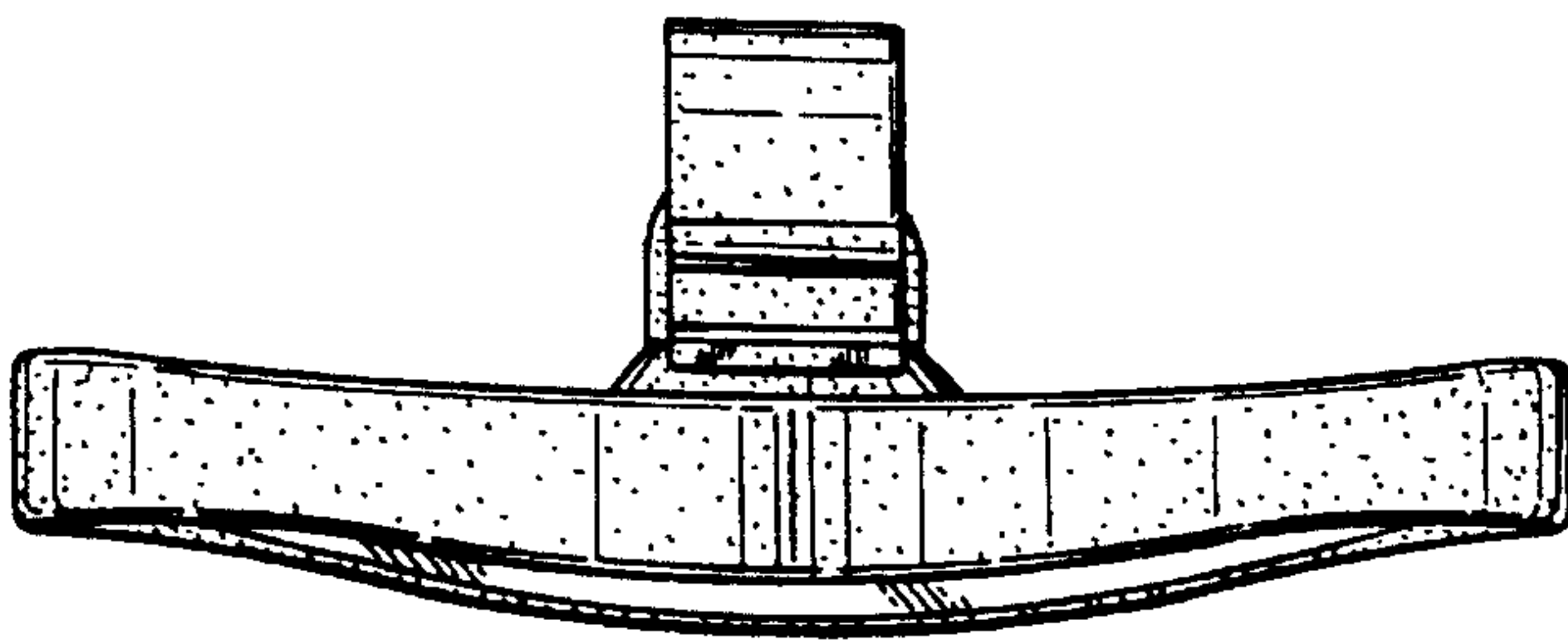


FIG-5