



US00D370781S

United States Patent [19]

Vasudeva

[11] Patent Number: Des. 370,781

[45] Date of Patent: **Jun. 18, 1996

[54] TOOL CASE

5,203,469 4/1993 Chang et al. 206/372

[75] Inventor: **Kailash C. Vasudeva**, Waterloo, Canada

OTHER PUBLICATIONS

Jensen Tools Catalog, 1993-94, pp. 209-210 Screw driver sets.

[73] Assignee: **Mastercut Industries Inc.**, Ontario, Canada

Primary Examiner—Philip S. Hyder
Attorney, Agent, or Firm—Ware, Fressola, Van Der Sluys & Adolphson

[**] Term: **14 Years**

[21] Appl. No.: **31,875**

[57] CLAIM

[22] Filed: **Dec. 8, 1994**

The ornamental design for a tool case, as shown and described.

[30] Foreign Application Priority Data

DESCRIPTION

Jun. 8, 1994 [CA] Canada 1994-1093

[52] U.S. Cl. **D3/284**; D3/295; D3/905; D9/415

FIG. 1 is a perspective of the tool case, with the cover in a closed position;

[58] Field of Search D3/282, 283, 905, D3/284, 294, 295; D9/415, 423, 420, 424, 426; 206/45.19, 373, 379, 378, 581, 235, 278, 314, 351, 806, 463, 470, 471

FIG. 2 is a second perspective of the tool case, with the cover raised;

FIG. 3 is a top view of the tool case;

FIG. 4 is a first end view of the tool case;

FIG. 5 is a second end view of the tool case;

FIG. 6 is a side view of the tool case;

FIG. 7 is a bottom view of the tool case;

FIG. 8 is a top view of a modified embodiment of the tool case, shown with the cover in a closed position;

FIG. 9 is a top view of a second modified embodiment of the tool case, shown with the cover in a closed position;

FIG. 10 is a top view of a third modified embodiment of the tool case, shown with the cover in a closed position; and,

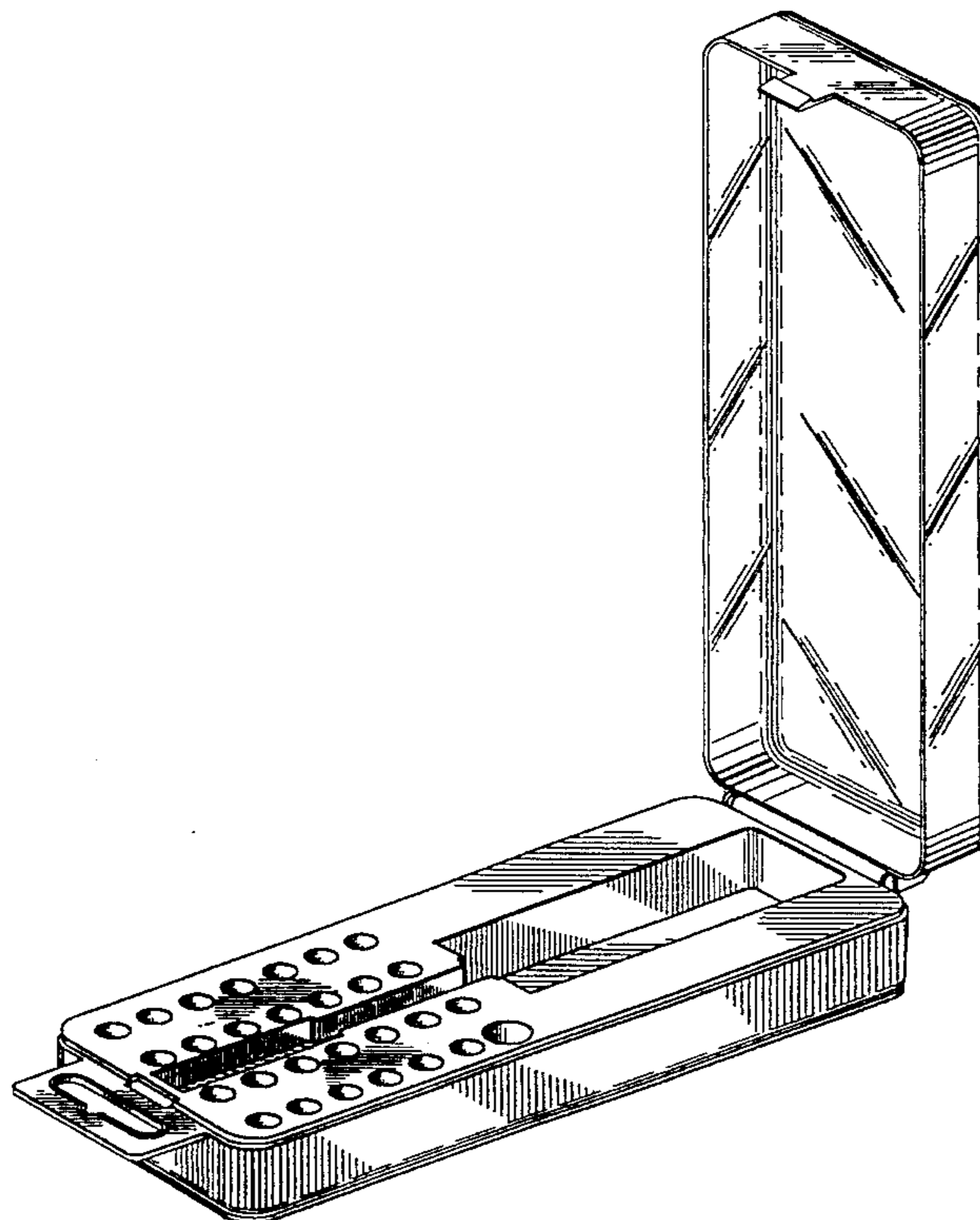
FIG. 11 is a top view of a fourth modified embodiment of the tool case, shown with the cover in a closed position.

[56] References Cited

U.S. PATENT DOCUMENTS

D. 270,617	9/1983	Skowronski et al.	D9/415
D. 287,467	12/1986	Mallon	D9/415
D. 323,936	2/1992	Feng	D3/905
D. 334,534	4/1993	Friz et al.	D9/415
4,260,057	4/1981	Wall-Andersen	206/379
4,449,629	5/1984	Barrieau	206/373
4,598,822	7/1986	Hemmings	206/379
4,619,364	10/1986	Czopor, Jr.	206/379
5,123,532	6/1992	Rau	206/379
5,133,455	7/1992	Chow	206/378

1 Claim, 5 Drawing Sheets



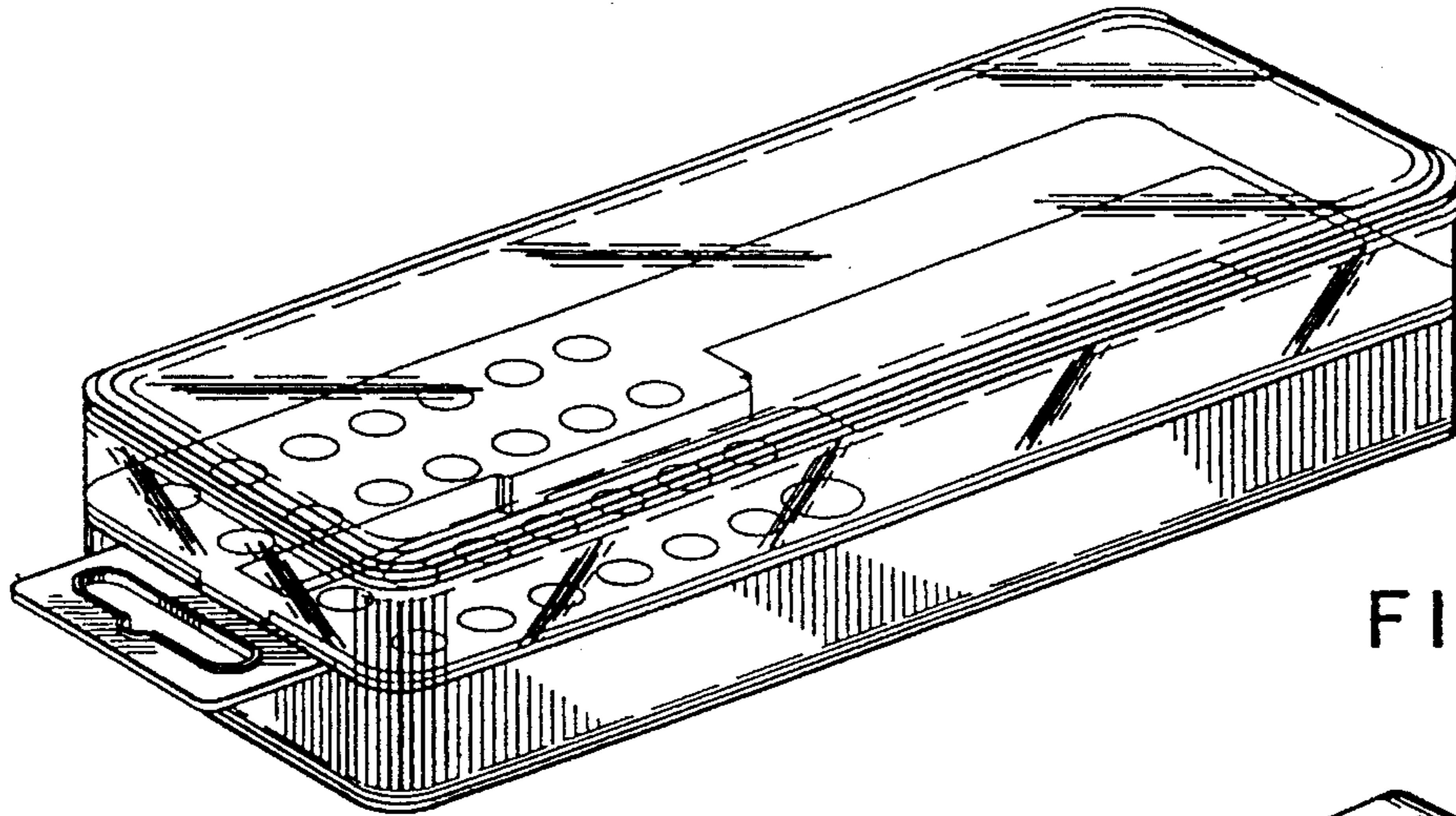


FIG. 1.

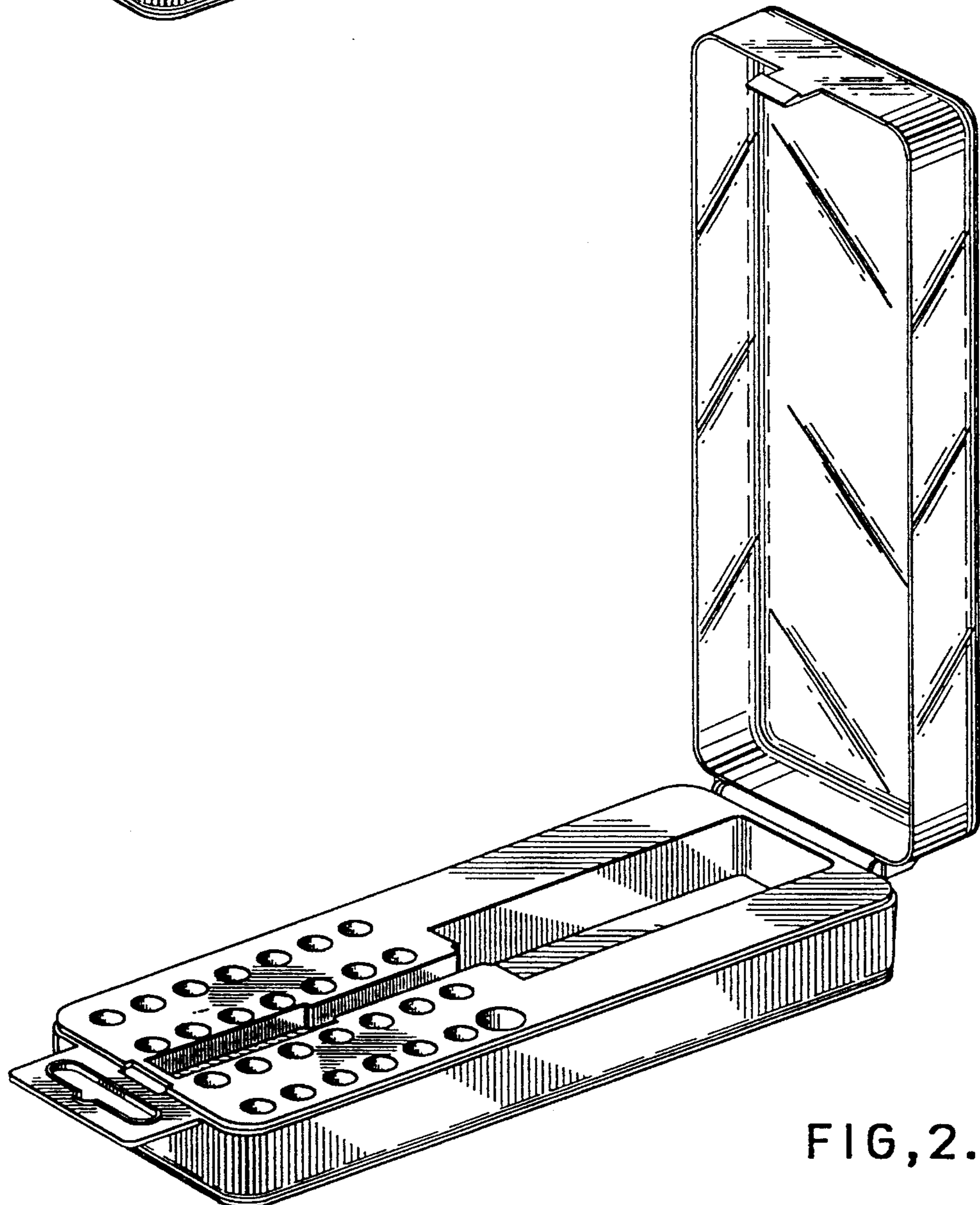


FIG. 2.

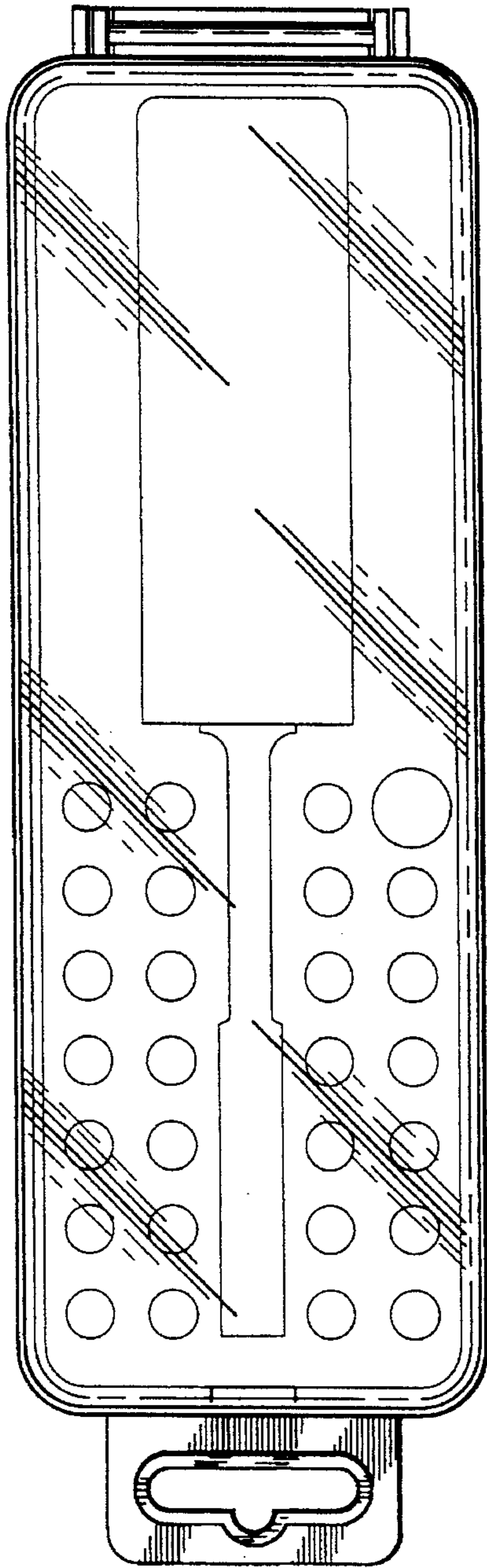


FIG. 3

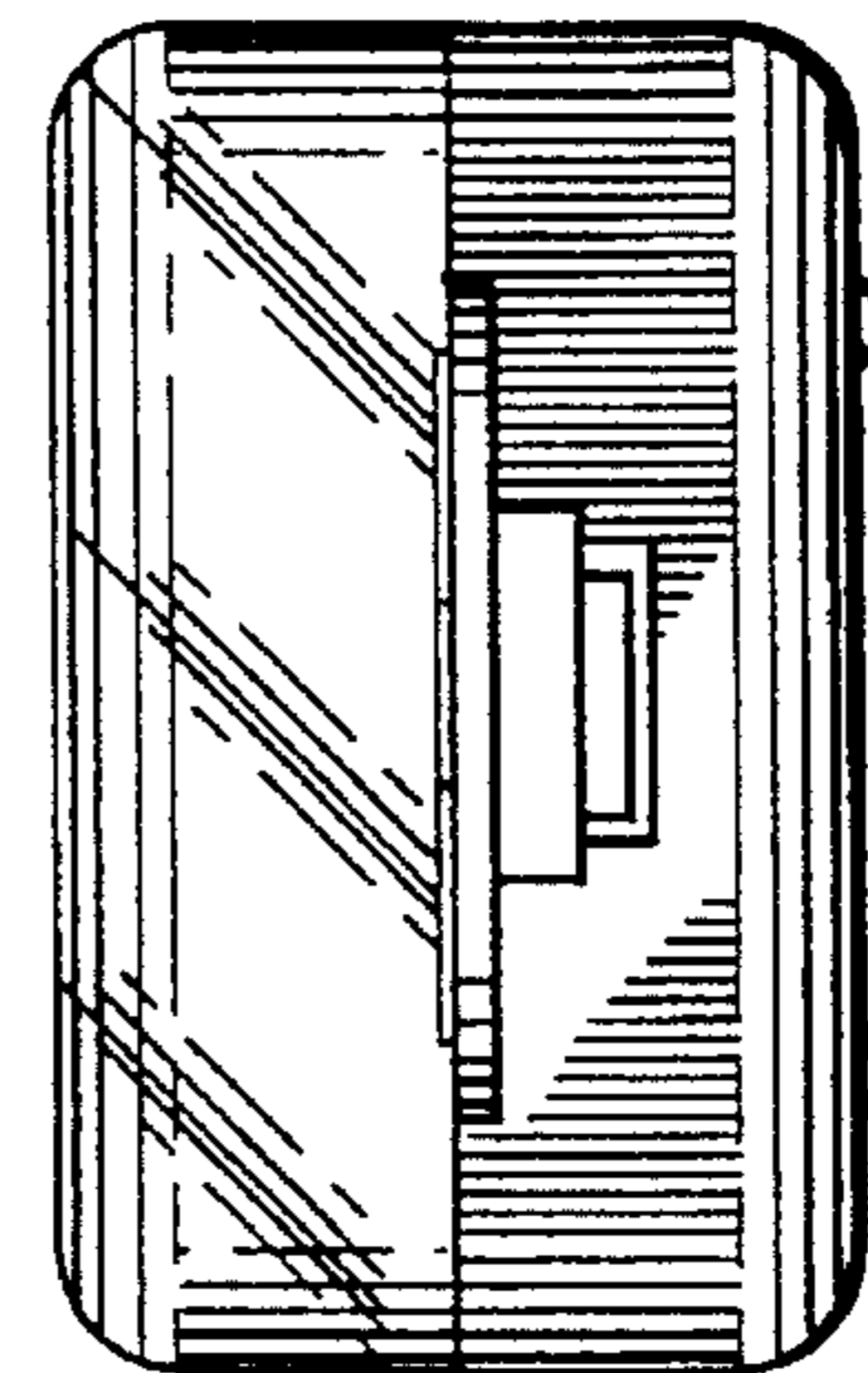


FIG. 4

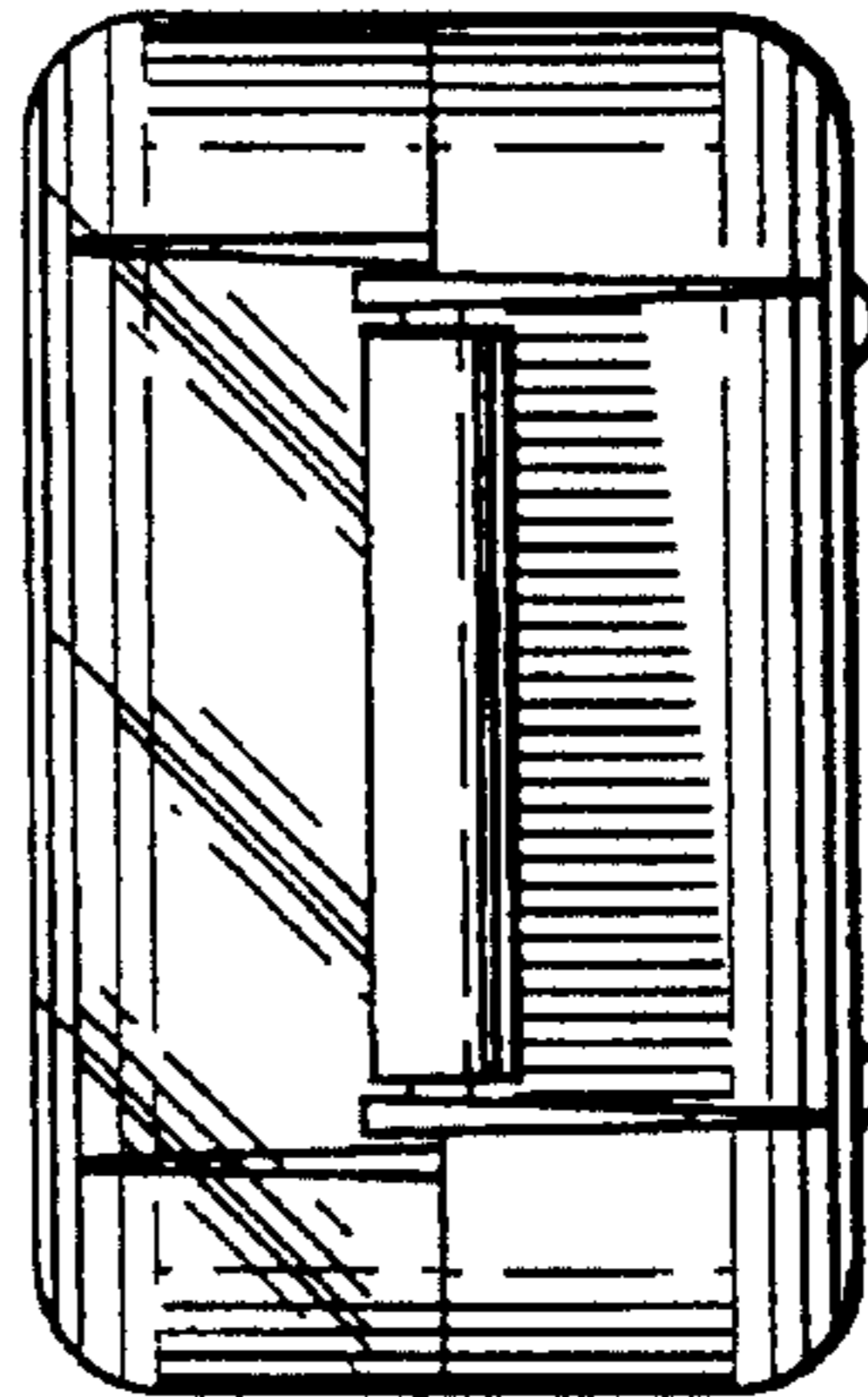


FIG. 5

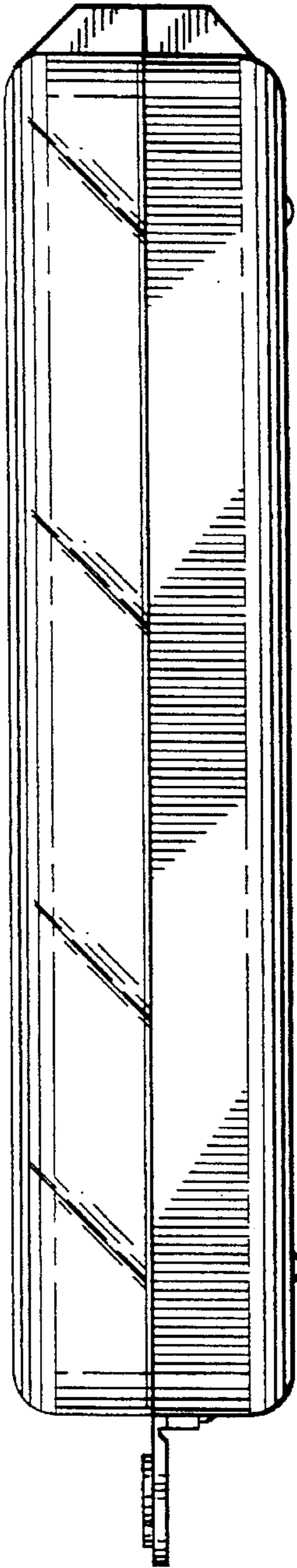


FIG. 6

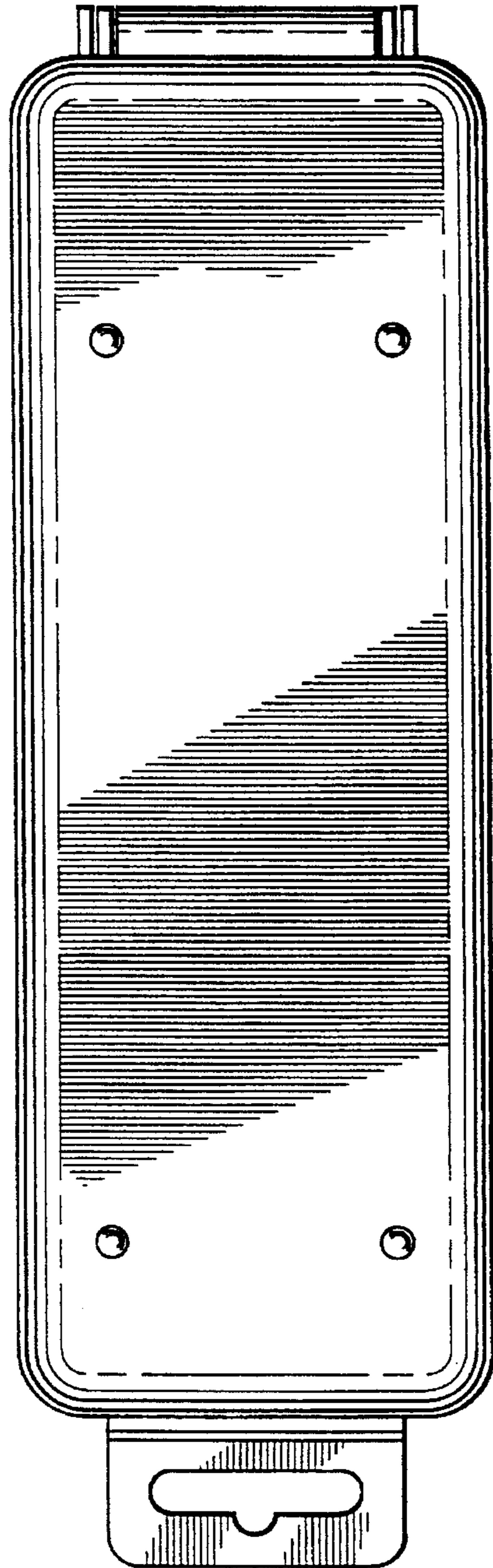


FIG. 7

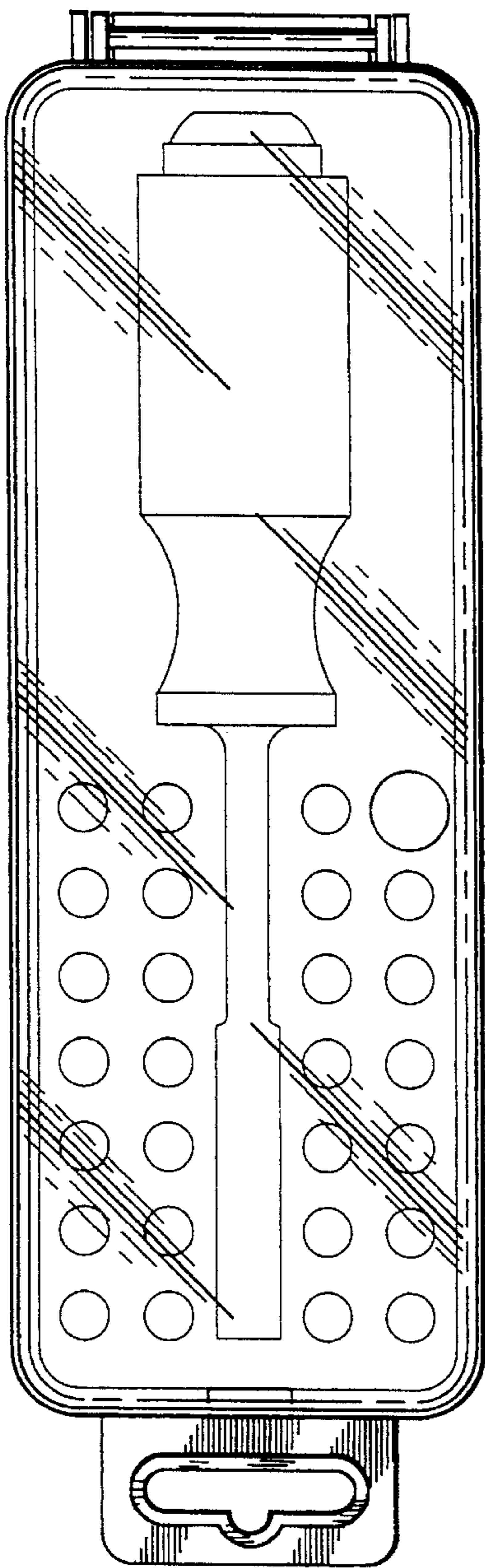


FIG. 8

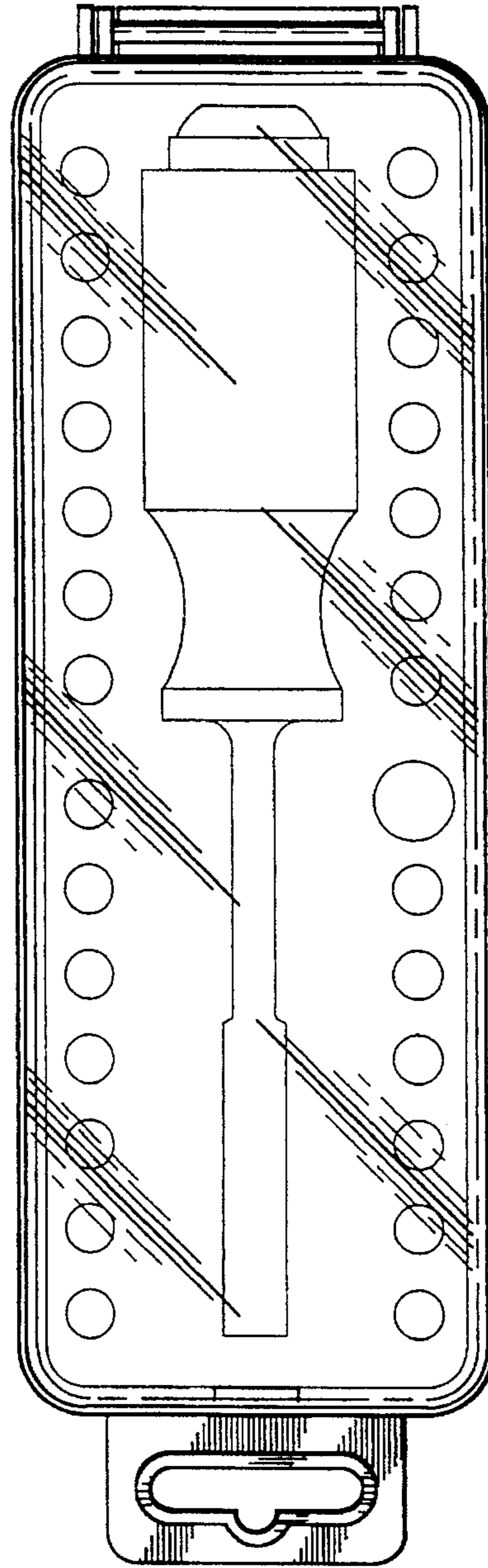


FIG. 9

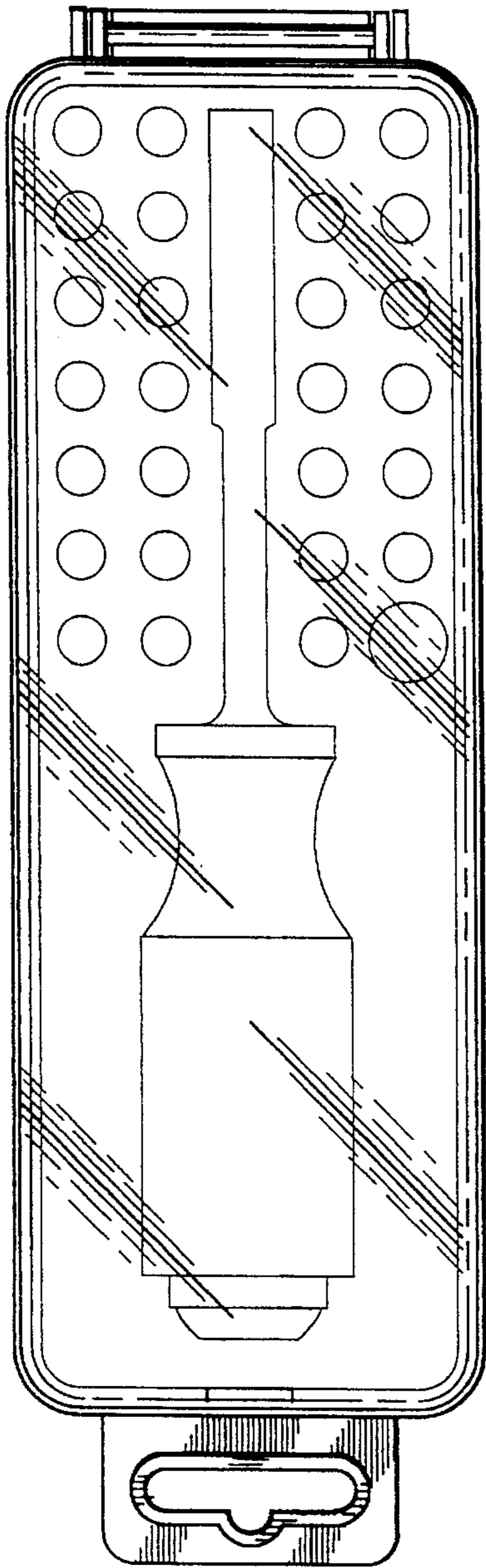


FIG. 10

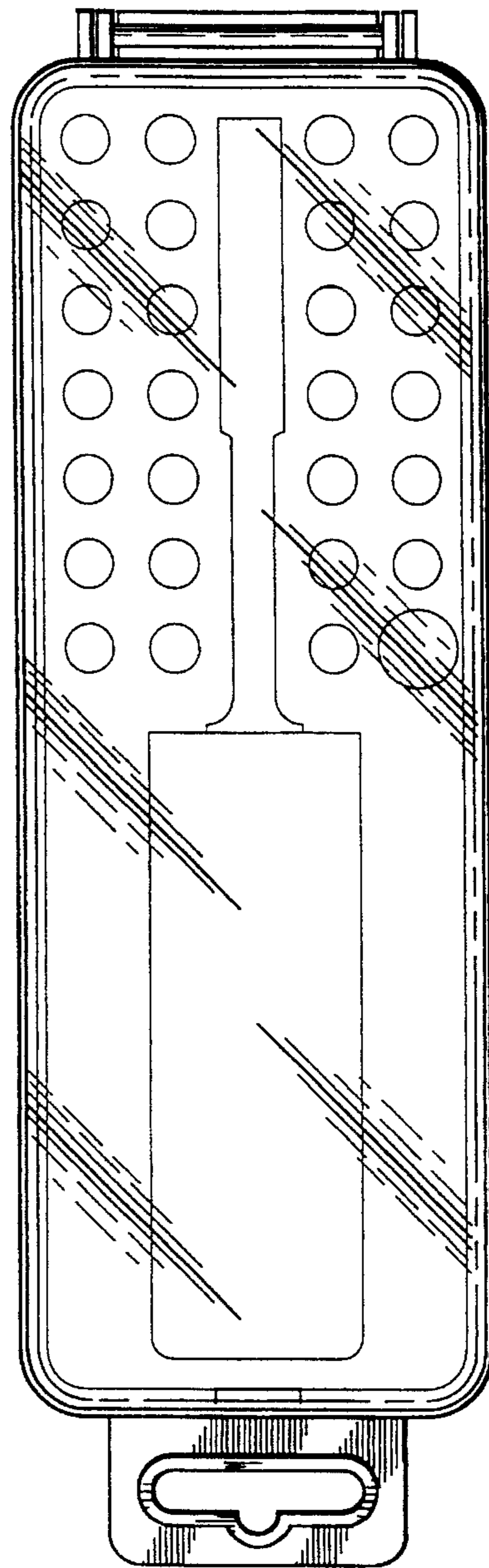


FIG. 11