



US00D370770S

United States Patent [19]
Cramer

[11] **Patent Number: Des. 370,770**

[45] **Date of Patent: **Jun. 11, 1996**

[54] **TRINITY CROSS**

[76] Inventor: **Bud L. Cramer**, 3281 Amigo Dr., Lake Havasu City, Ariz. 86404

[**] Term: **14 Years**

[21] Appl. No.: **28,107**

[22] Filed: **Sep. 7, 1994**

[52] U.S. Cl. **D99/27**

[58] Field of Search D11/96; D99/23,
D99/26, 27; 428/3

[56] **References Cited**

U.S. PATENT DOCUMENTS

D. 49,350 7/1916 Graham D99/23

Primary Examiner—Antoine Duval Davis
Attorney, Agent, or Firm—Harpman & Harpman

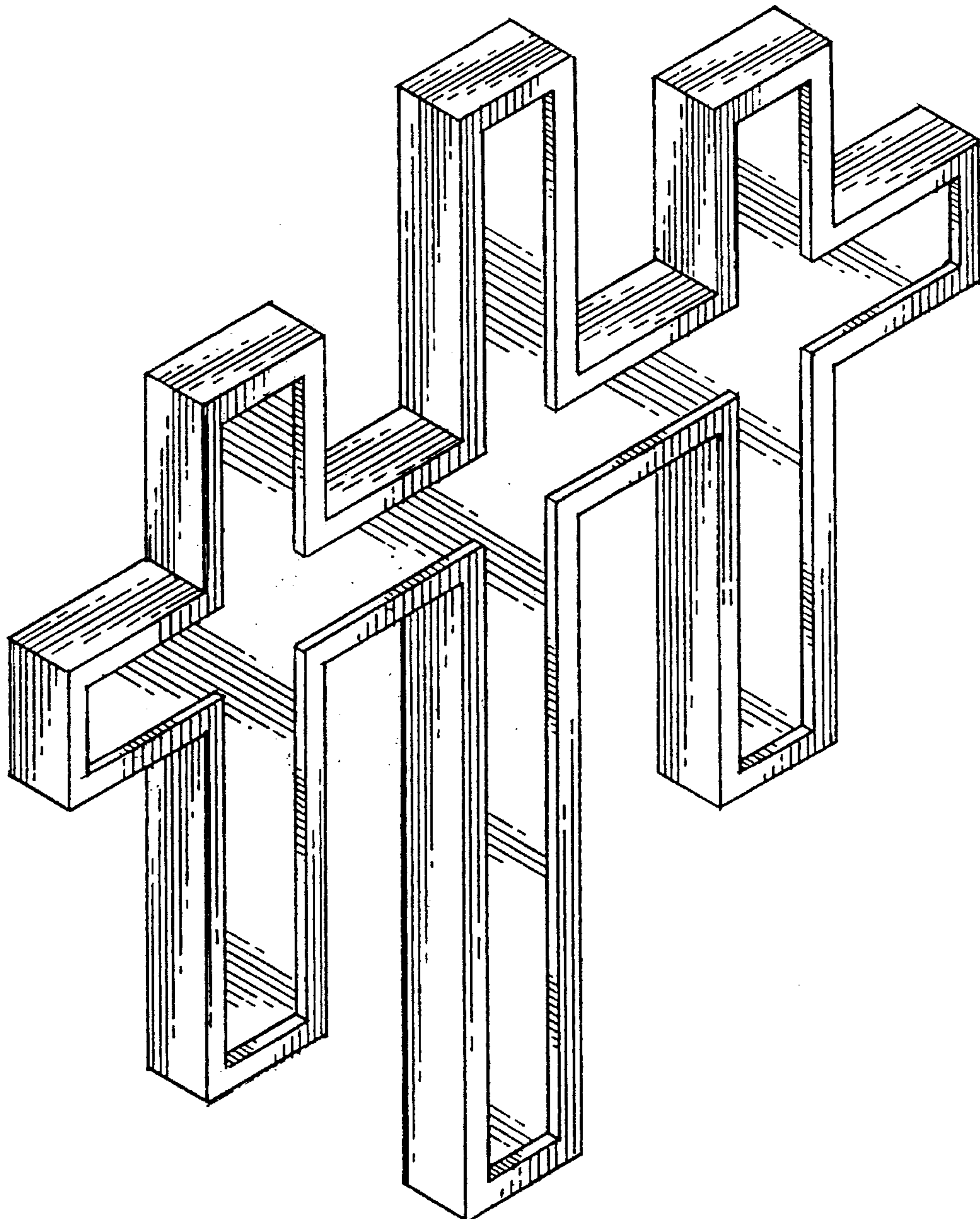
[57] **CLAIM**

The ornamental design for a trinity cross, as shown and described.

DESCRIPTION

FIG. 1 is a front, top and side perspective view of the trinity cross embodying the design of the present invention; FIG. 2 is a front elevational view thereof; FIG. 3 is a rear elevational view thereof; FIG. 4 is a top elevational view thereof, the side opposite being a mirror image of the side shown in FIG. 4; and, FIG. 5 is a side plan view thereof.

1 Claim, 4 Drawing Sheets



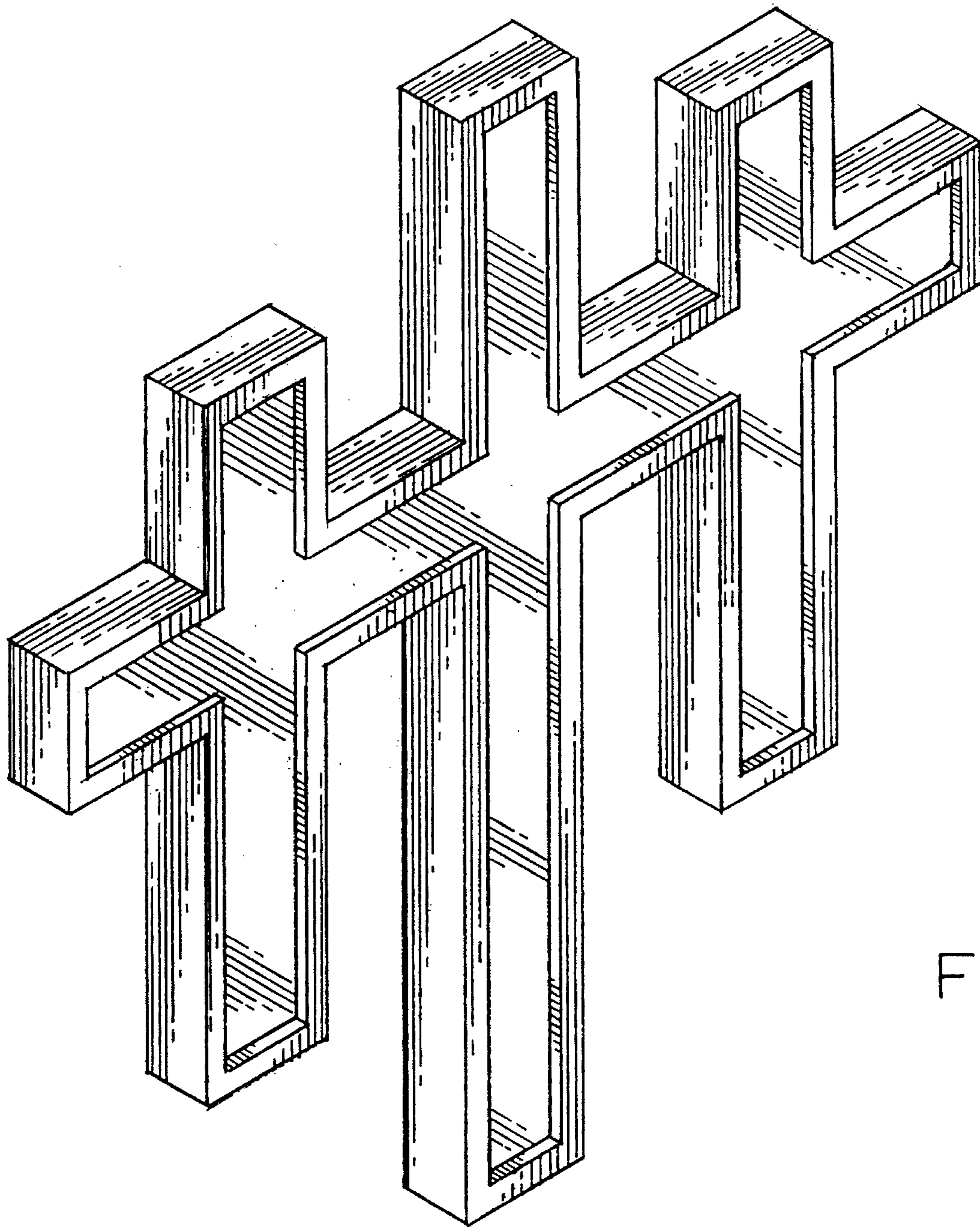


FIG. 1

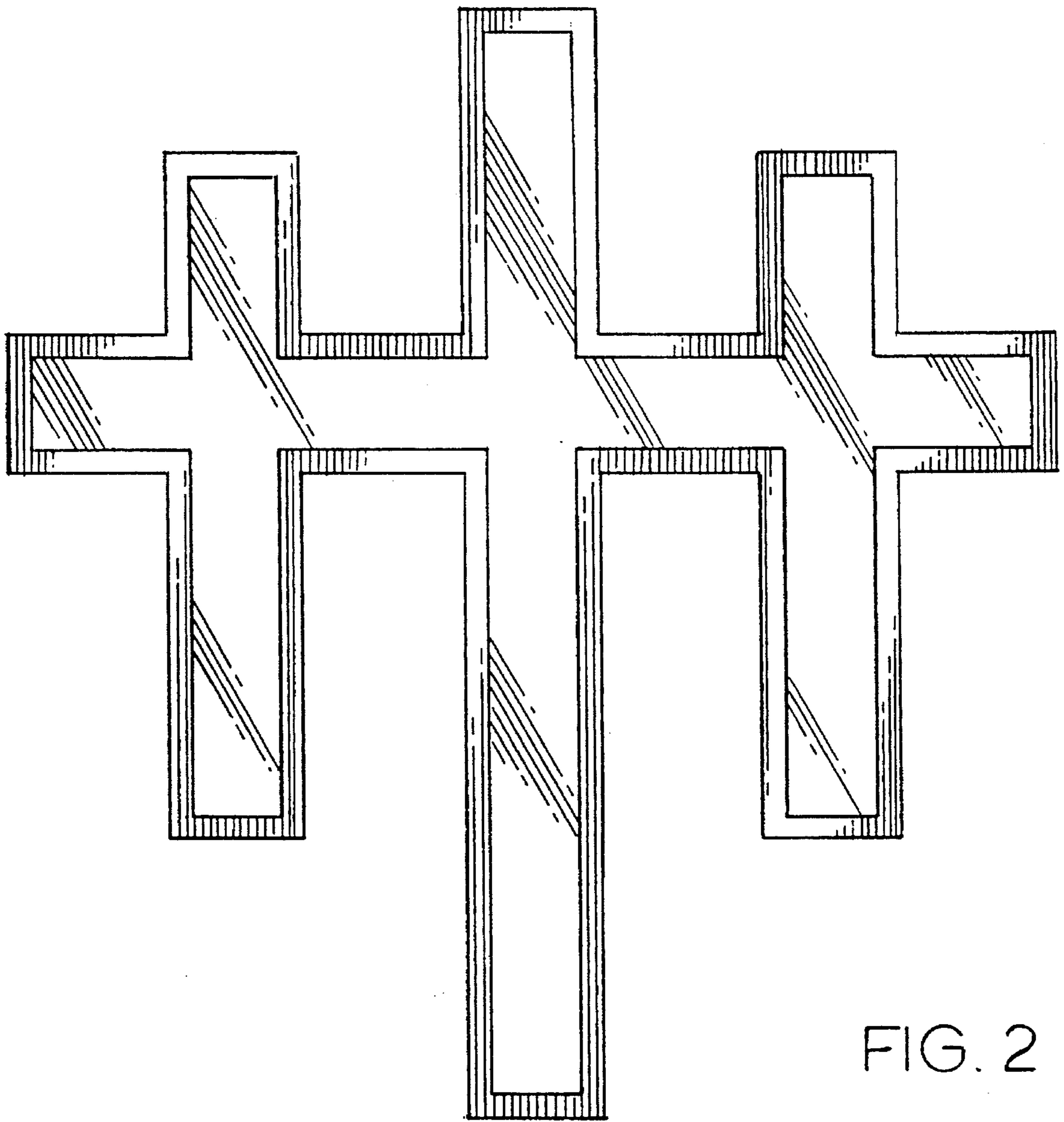


FIG. 2

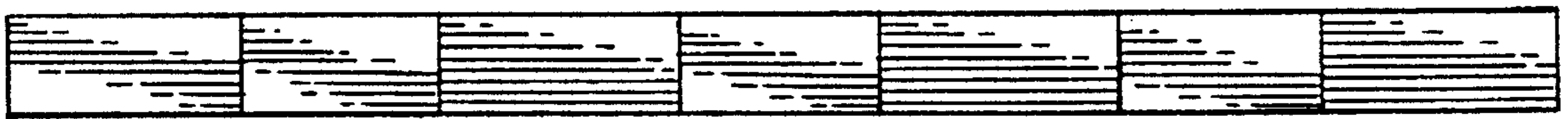


FIG. 4

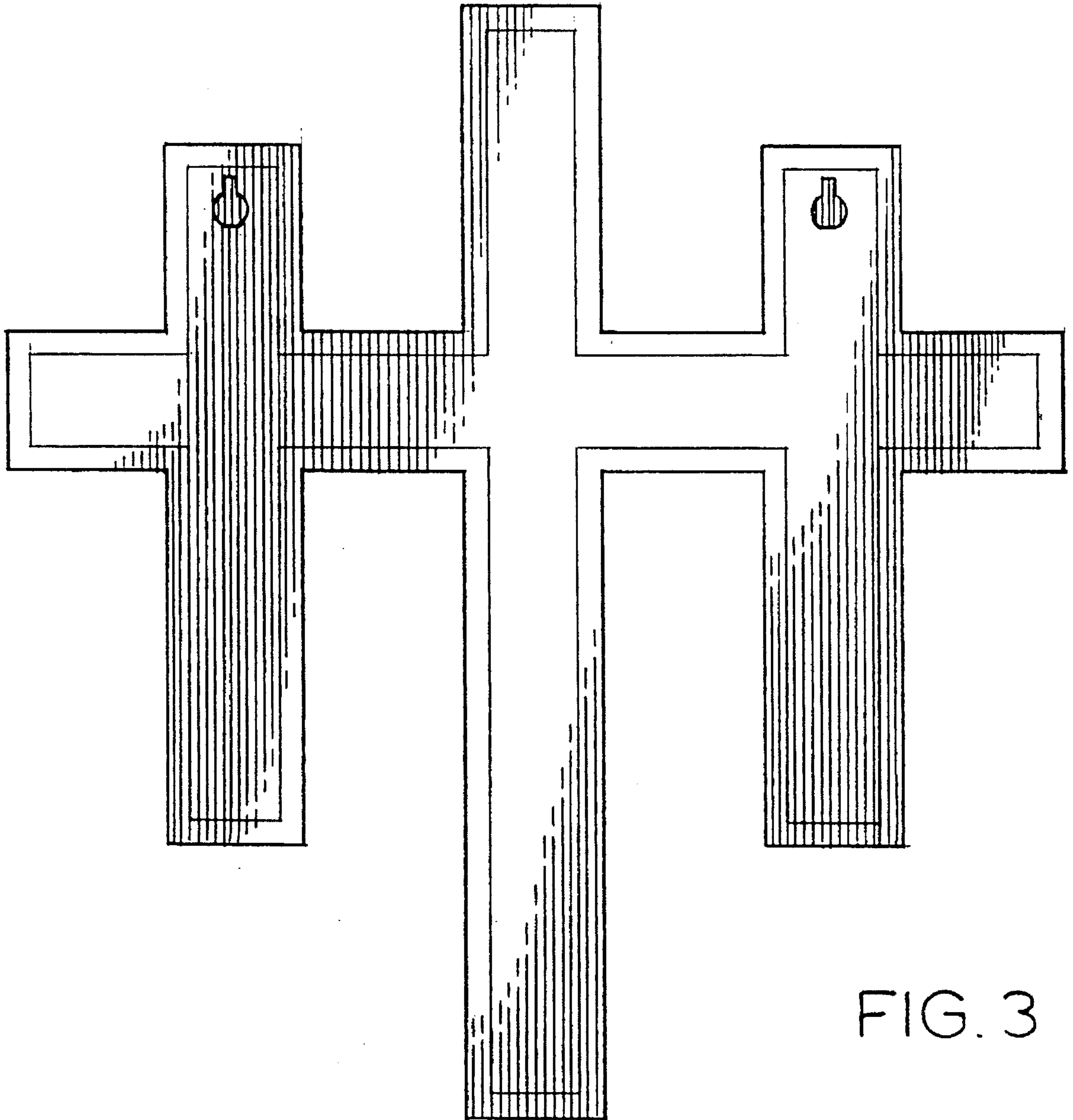


FIG. 3

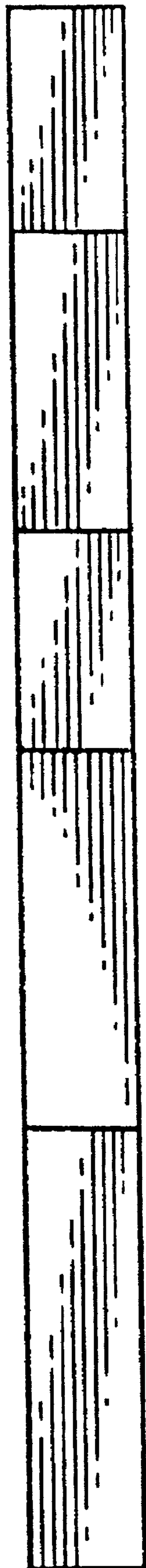


FIG. 5