



US00D370769S

**United States Patent** [19]  
**Giannarelli**

[11] **Patent Number: Des. 370,769**  
[45] **Date of Patent: \*\*Jun. 11, 1996**

[54] **CRYPT** 3,868,799 3/1975 Hayward ..... 52/131

[76] Inventor: **Emilio Giannarelli**, 246 Nicholson Street, Fitzroy, Victoria, 3065, Australia

*Primary Examiner*—Antoine Duval Davis  
*Attorney, Agent, or Firm*—Fish & Richardson

[\*\*] Term: **14 Years**

[21] Appl. No.: **31,205**

[57] **CLAIM**

[22] Filed: **Nov. 14, 1994**

The ornamental design for a crypt, as shown and described.

[30] **Foreign Application Priority Data**

**DESCRIPTION**

May 13, 1994 [AU] Australia ..... 1492/94

[52] **U.S. Cl.** ..... **D99/7**

FIG. 1 is a top perspective view of the crypt; and,

[58] **Field of Search** ..... D99/17; 52/128-137

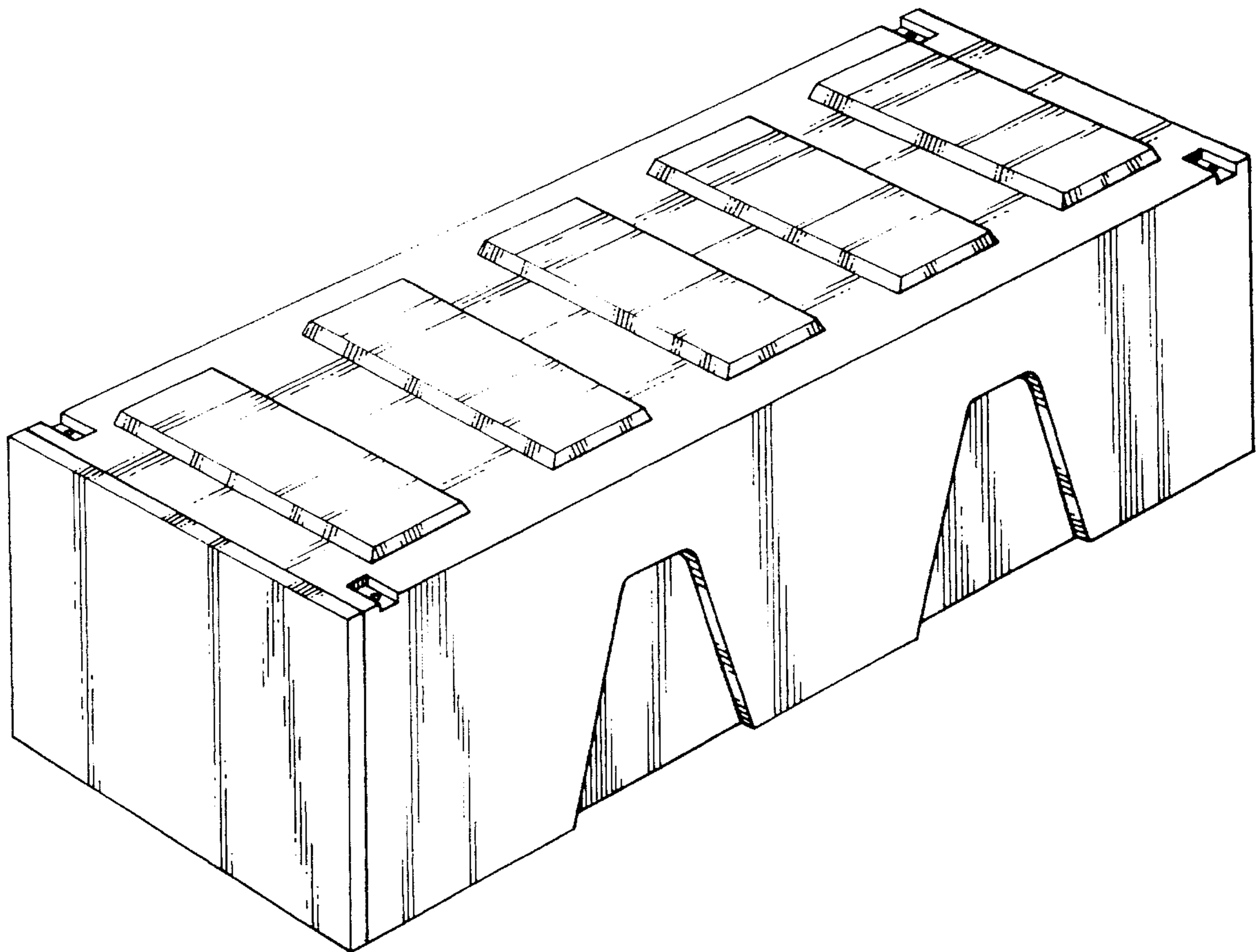
FIG. 2 is an underside perspective view of the crypt.

[56] **References Cited**

**U.S. PATENT DOCUMENTS**

530,380 12/1894 Barcus ..... 52/136

**1 Claim, 2 Drawing Sheets**



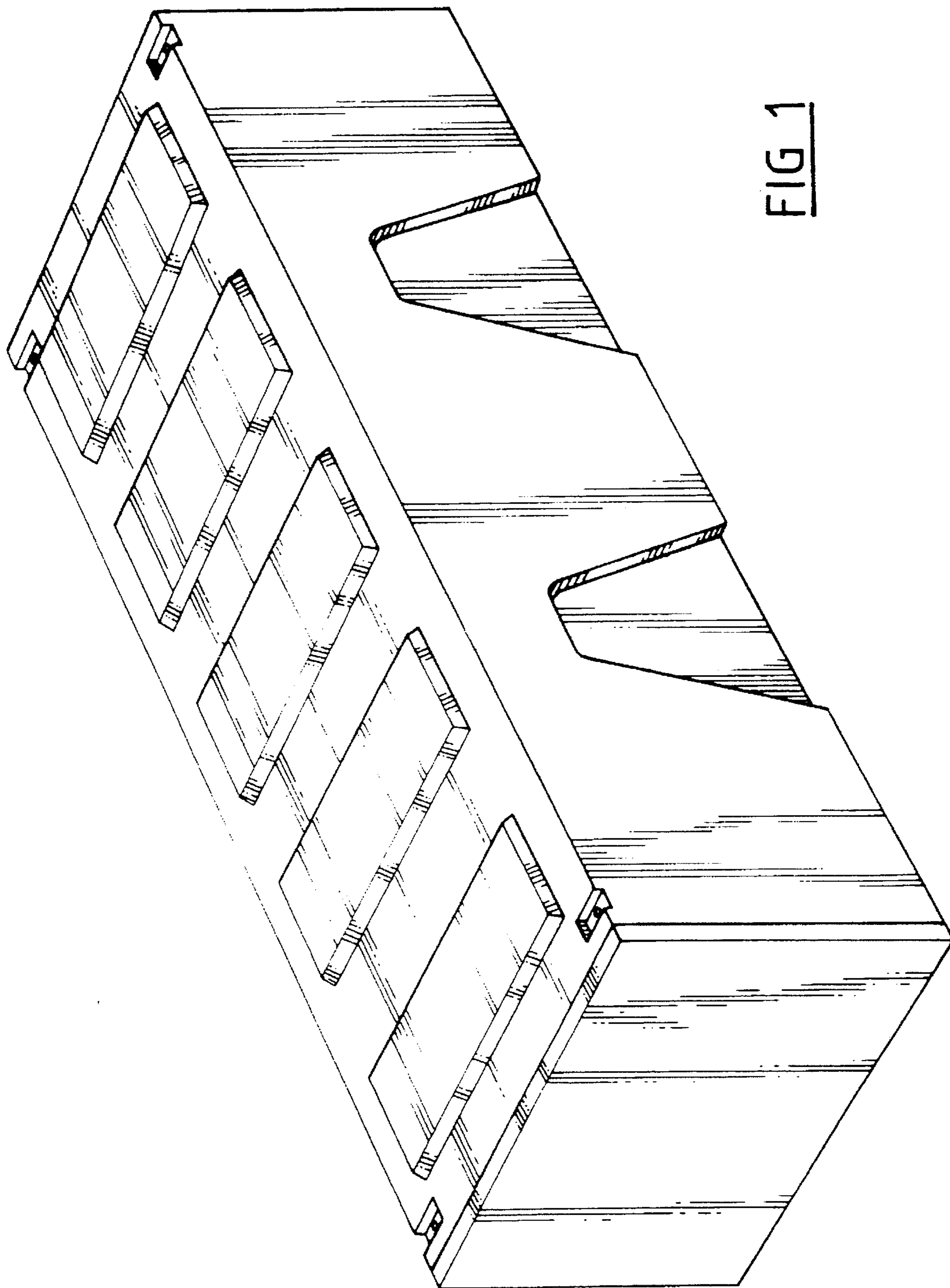


FIG 1

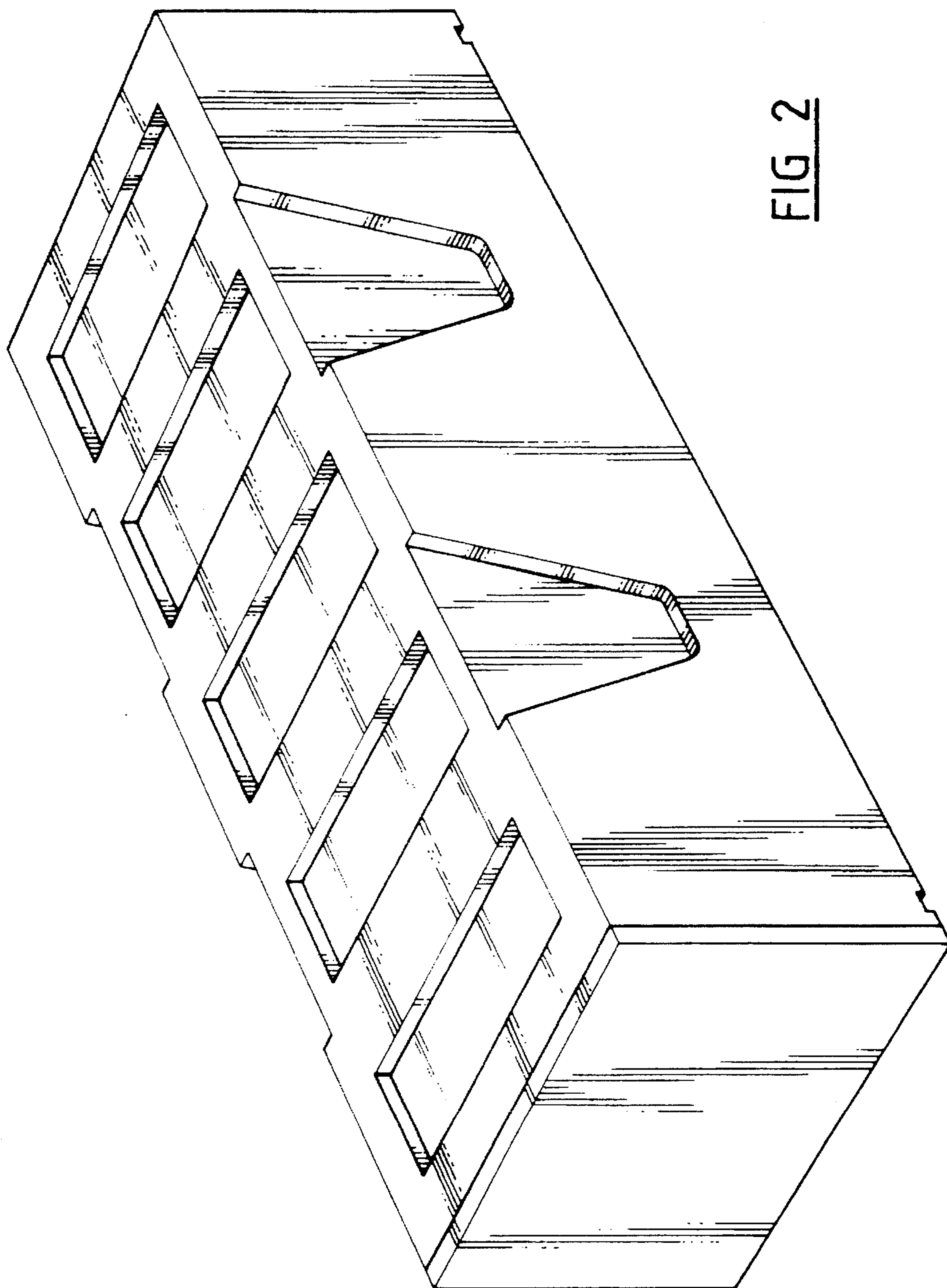


FIG 2