



US00D370763S

United States Patent [19]

Pigott et al.

[11] Patent Number: **Des. 370,763**

[45] Date of Patent: ****Jun. 11, 1996**

[54] **PALLET PAD**

[75] Inventors: **Brandon L. Pigott**, Wilmette; **Schuyler F. Pigott**, Arlington Heights; **Peter S. Pigott**, Wilmette; **Maurice J. Pigott**, Winnetka, all of Ill.

[73] Assignee: **Nucon Corporation**, Deefield, Ill.

[**] Term: **14 Years**

[21] Appl. No.: **37,516**

[22] Filed: **Apr. 14, 1995**

[52] U.S. Cl. **D34/38**

[58] Field of Search D34/38; 248/346; 108/51.1, 52.1, 53.1, 53.3, 54.1, 55.3, 56.1, 571, 901, 902

[56] **References Cited**

U.S. PATENT DOCUMENTS

D. 354,606 1/1995 Pigott et al. D34/38

3,697,029 10/1972 Lauffer 108/51.1
4,292,900 10/1981 Bula 108/51.1
4,487,136 12/1984 Beckway 108/51.1
5,193,464 3/1993 Morden 108/901

Primary Examiner—A. Hugo Word
Assistant Examiner—Robin V. Taylor
Attorney, Agent, or Firm—Wallenstein & Wagner, Ltd.

[57] **CLAIM**

The ornamental design for a pallet pad, as shown and described.

DESCRIPTION

FIG. 1 is a perspective top view of a pallet pad showing our new design;
FIG. 2 is a first side elevation view of the pad, with the second side elevation view and the first and second end elevation views being the same;
FIG. 3 is a top plan view of the pad; and,
FIG. 4 is a bottom plan view of the pad.

1 Claim, 1 Drawing Sheet

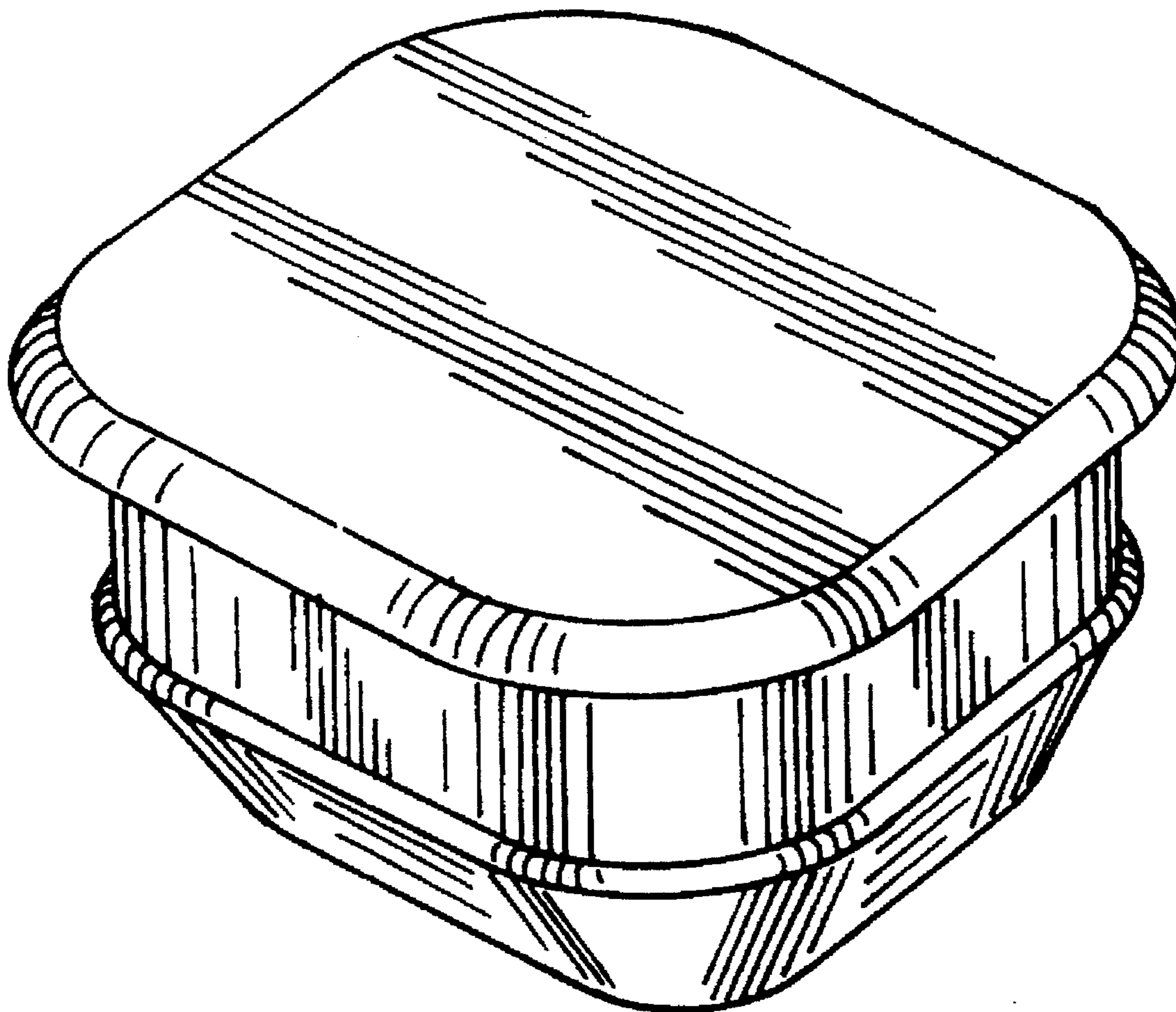


FIG. 1

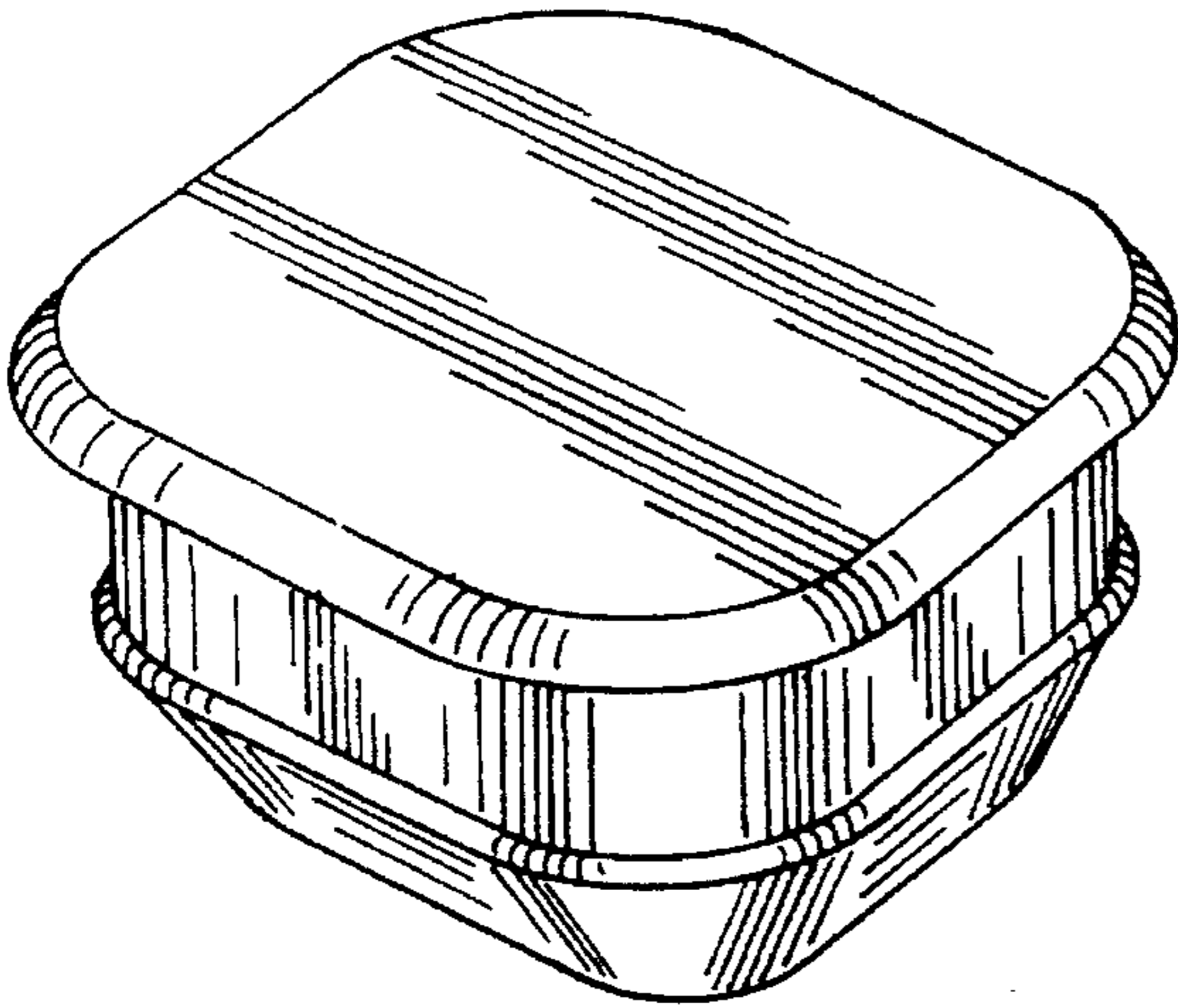


FIG. 2

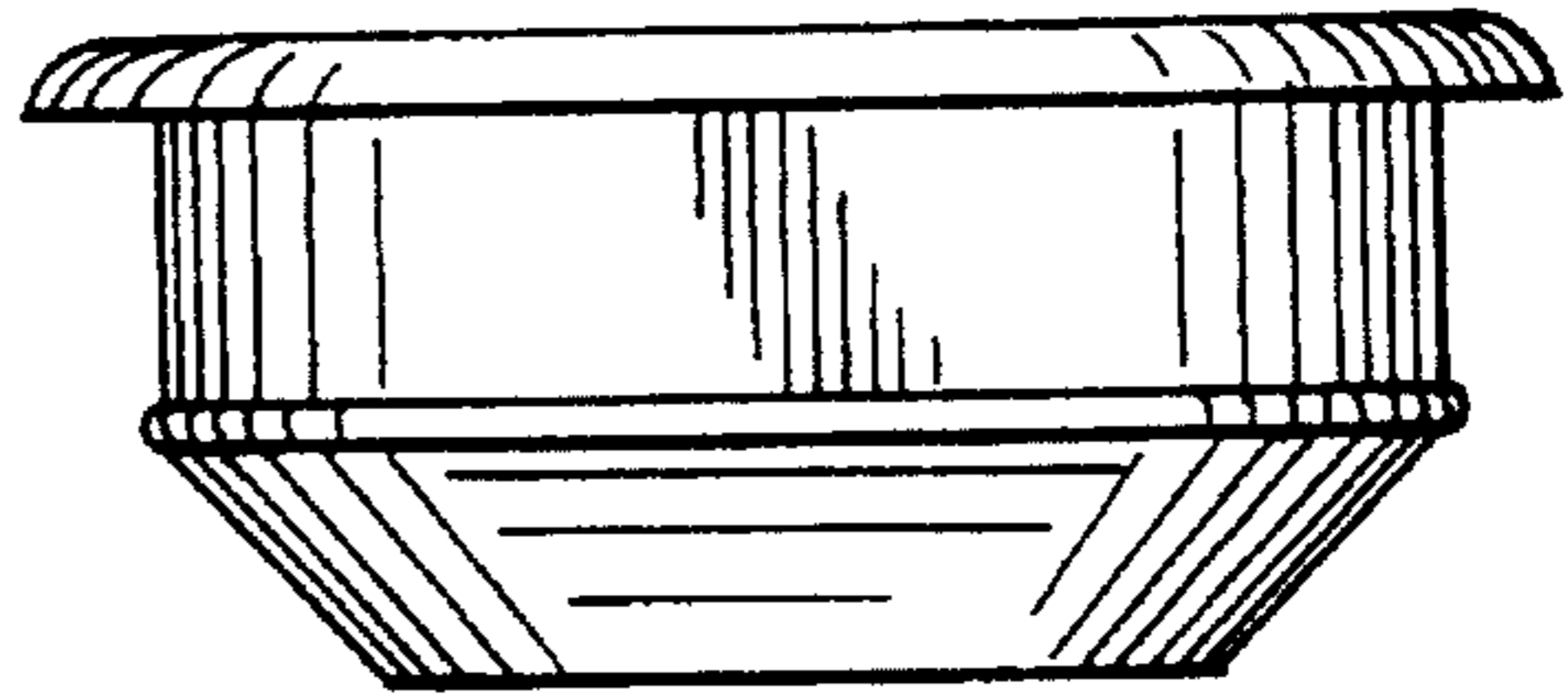


FIG. 3

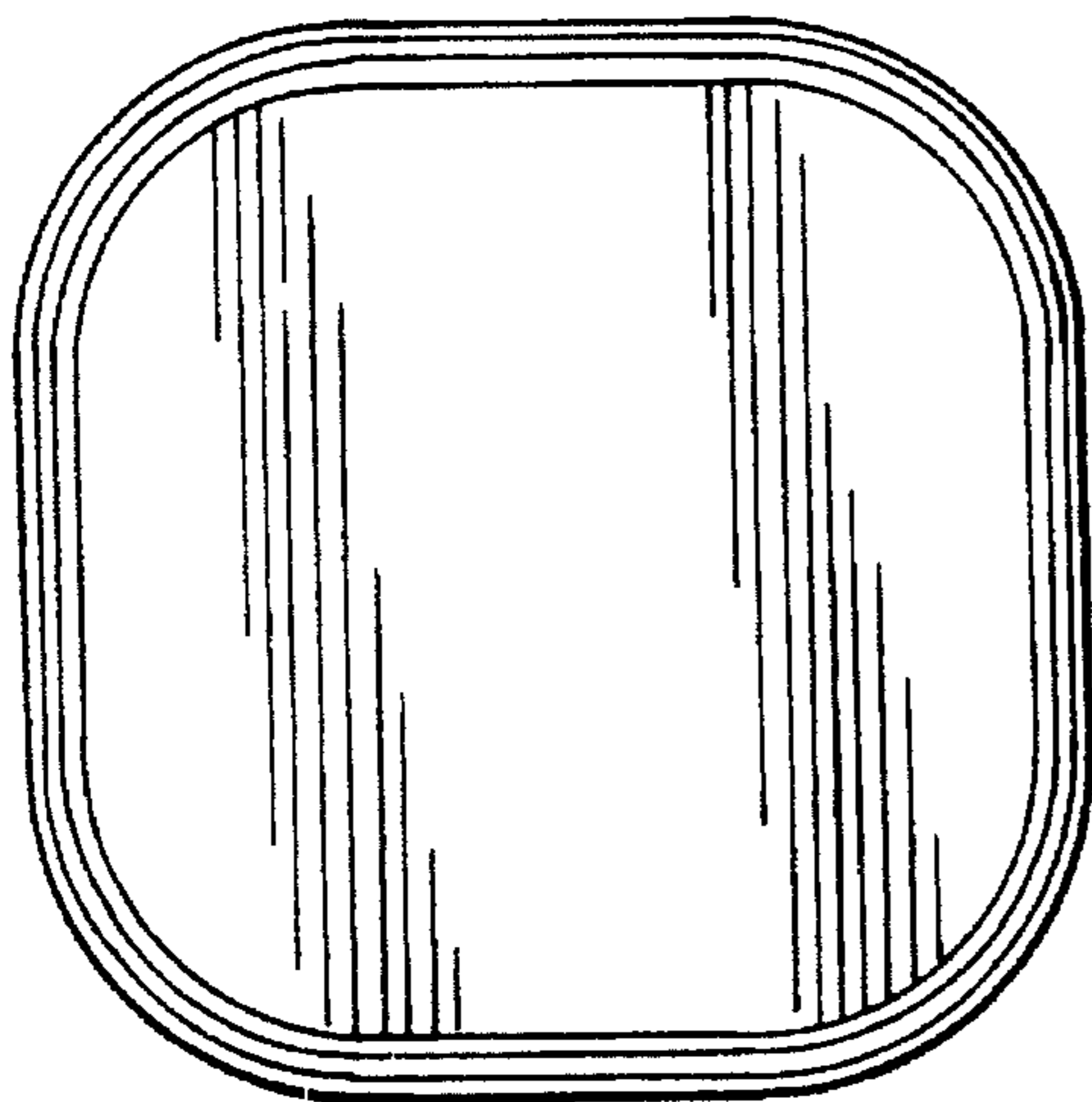


FIG. 4

