



US00D370758S

United States Patent [19]

[11] Patent Number: **Des. 370,758**

McCanse

[45] Date of Patent: ****Jun. 11, 1996**

[54] **SERVICE LIFT**

[75] Inventor: **James E. McCanse**, Oregon, Ill.

[73] Assignee: **McCanse Engineering, Incorporated**, Oregon, Ill.

[**] Term: **14 Years**

[21] Appl. No.: **35,622**

[22] Filed: **Mar. 3, 1995**

[52] U.S. Cl. **D34/28**

[58] Field of Search D34/28; 187/251, 187/254, 259; 414/607; 254/7 R, 7 B; D6/496

[56] **References Cited**

U.S. PATENT DOCUMENTS

D. 274,571	7/1984	Vermette	D34/34
D. 331,994	12/1992	Kinn	D34/34
D. 348,134	6/1994	McCanse et al. .	
1,789,025	1/1931	Shepard, Jr. et al.	187/244 X
4,971,292	11/1990	Craig	254/7 R
5,339,926	8/1994	McCanse et al. .	

OTHER PUBLICATIONS

- Advertising Brochure by Golf Lift, Inc. for "The Original Golf Lift" (copyright 1993).
- Advertising Brochure by Triton Lifts, Inc. for a "Triton Model 2600 Lift" (copyright 1992).
- Advertising Brochure by Wheeltronic for a "Model 8093 VGL".
- Advertising Brochure by Precision Metal Works for a "MP 6000# Surface Mounted Utility Lift".

Advertising Brochure by Western Manufacturing Corp. for a "Handy Air Lift".

Advertising Brochure by Garber Seeders Co., Inc., for various "Lawn Mower Lifts", including Model Nos. 350; 360; and 370.

Advertising Brochure by Atlantic Specialty Lifts Ltd. for an "ATV 2500".

Advertising Brochure by G & H Products for a "Uni-Lift" Model 380.

Advertising Brochure by Specialty Motors, Inc. for various "Power Equipment Lifts", including Model Nos. PEL-1200; STL-1500; WB-500; and LM-R-300.

Advertising Supplement from the Jul. 1993 edition of "Golf Course Management" for a GolfLink work platform manufactured by Derek Weaver Co. Inc.

Primary Examiner—Alan P. Douglas

Assistant Examiner—Linda Brooks

Attorney, Agent, or Firm—Leydig, Voit & Mayer, Ltd.

[57] **CLAIM**

The ornamental design for a service lift, as shown and described.

DESCRIPTION

FIG. 1 is a perspective view of a service lift showing my new design;

FIG. 2 is a front view thereof;

FIG. 3 is a right side elevational view thereof;

FIG. 4 is a left side elevational view thereof;

FIG. 5 is a rear view thereof;

FIG. 6 is a top plan view thereof; and,

FIG. 7 is a bottom plan view thereof.

1 Claim, 2 Drawing Sheets

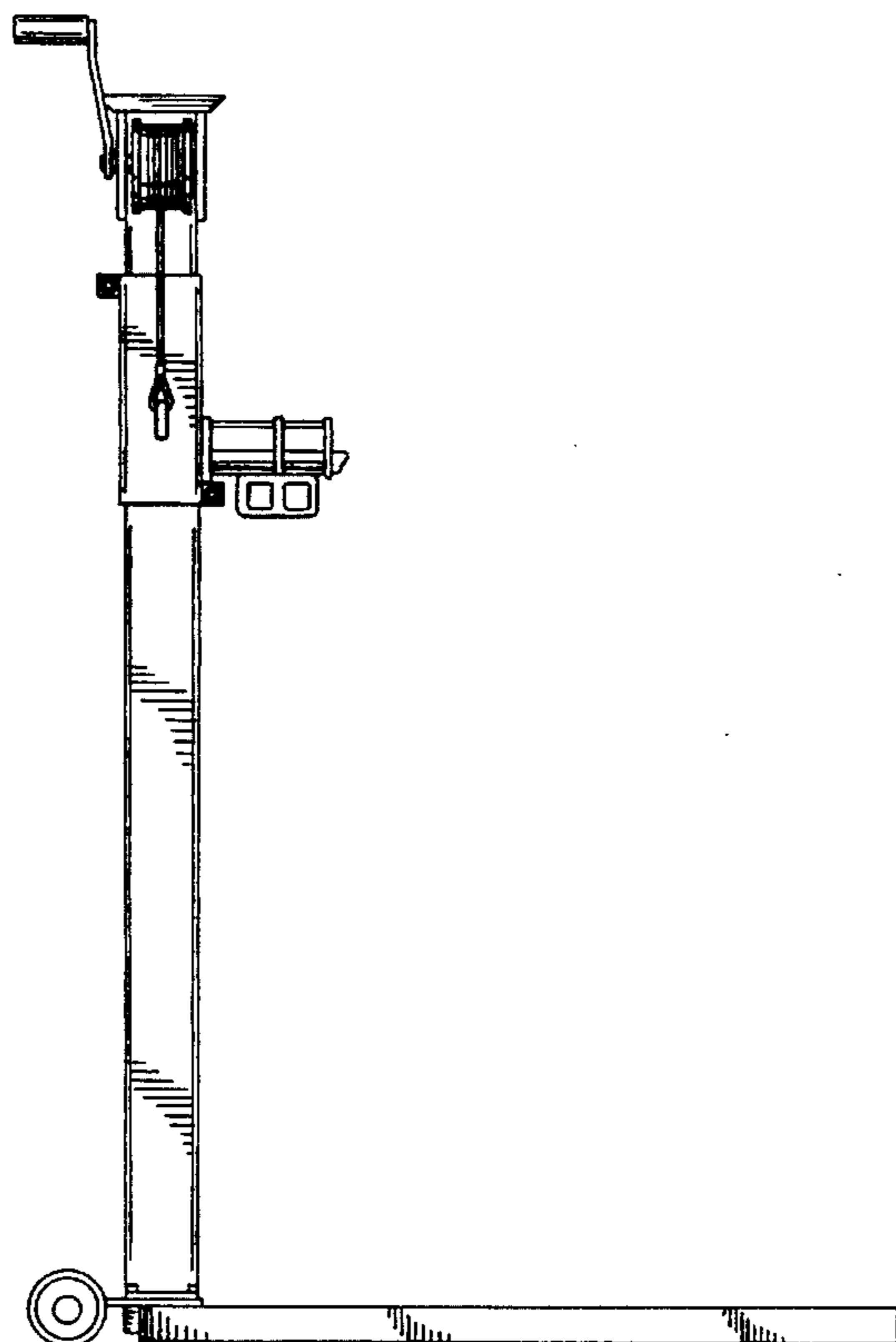


FIG. 1

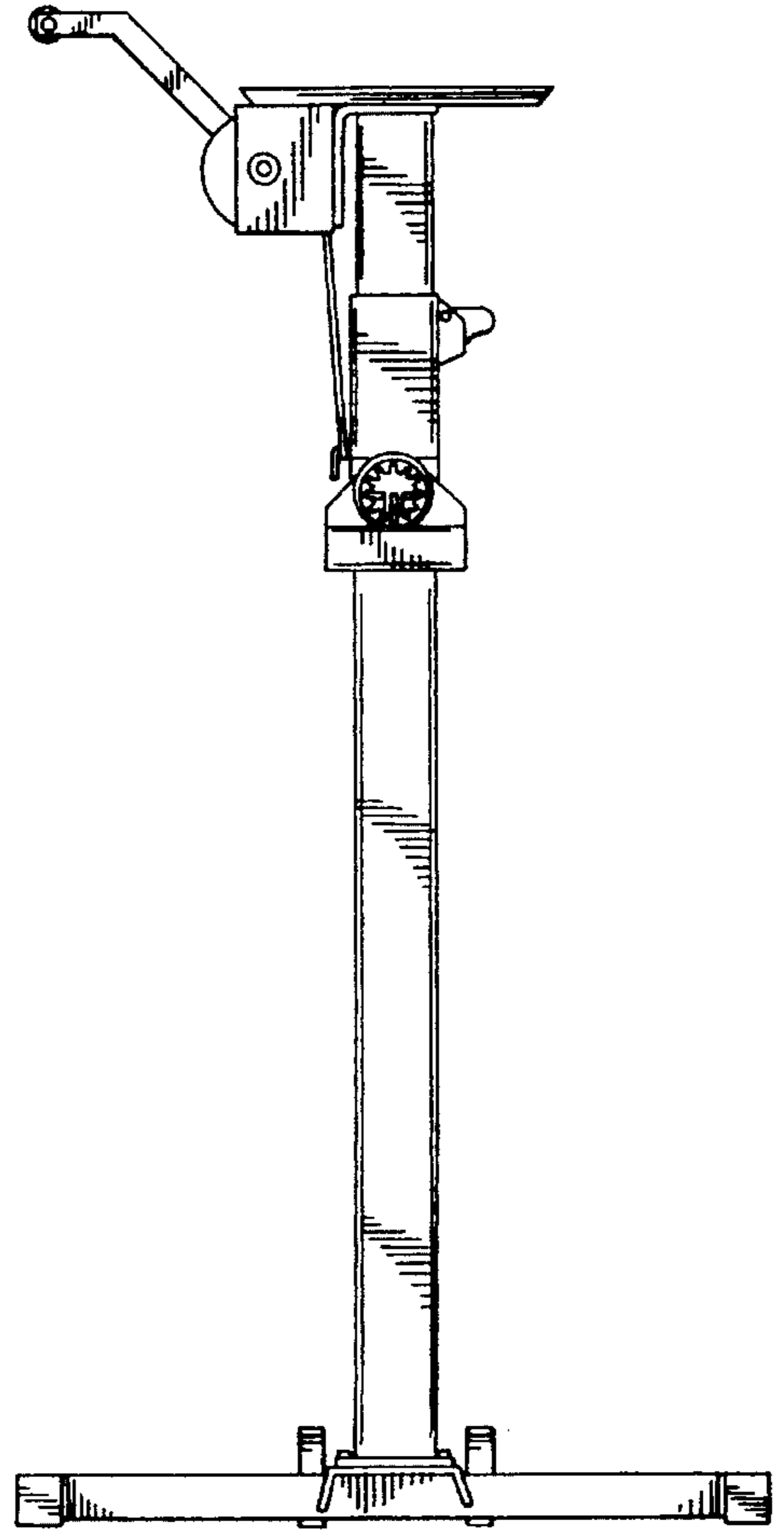
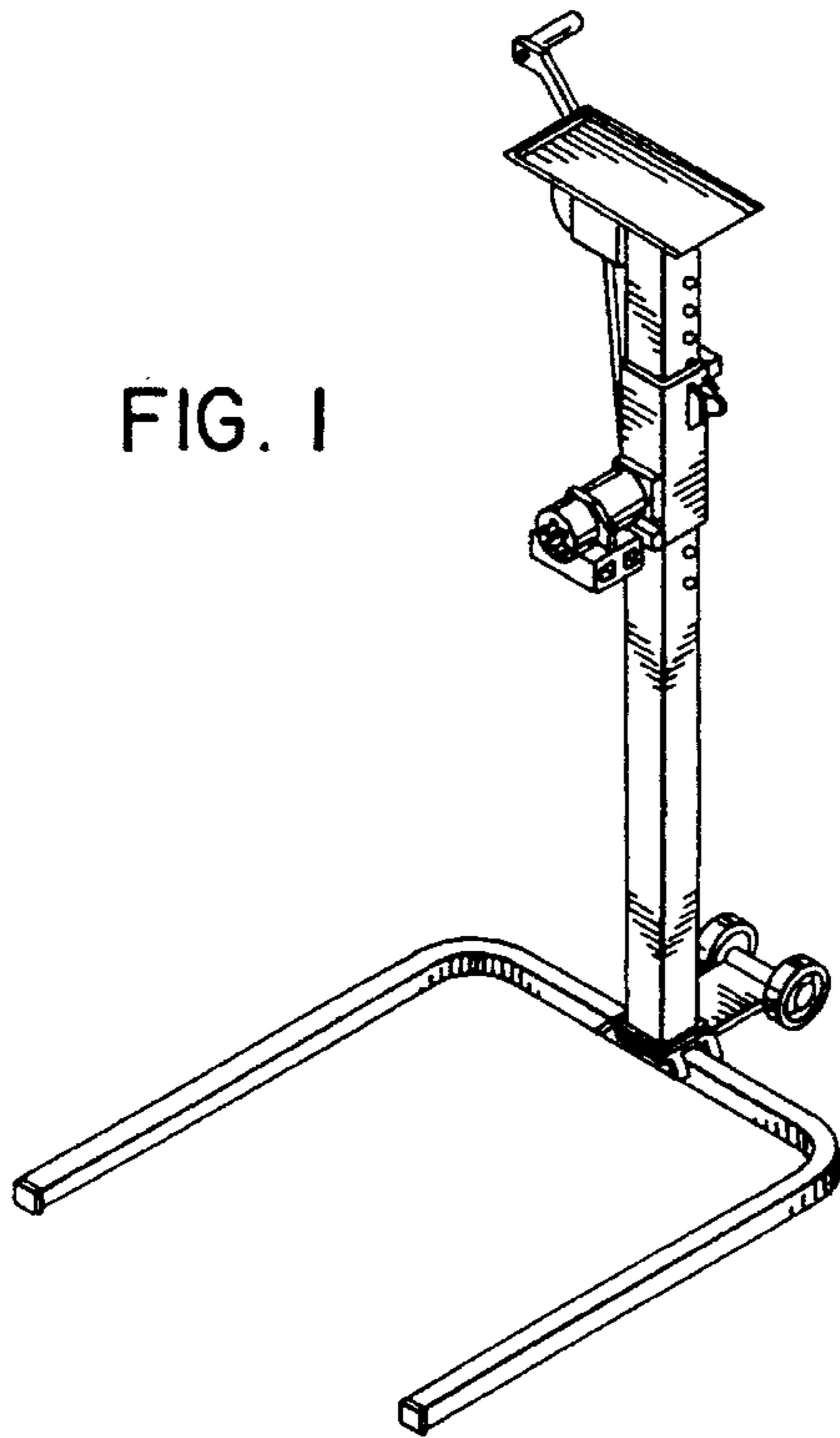


FIG. 2

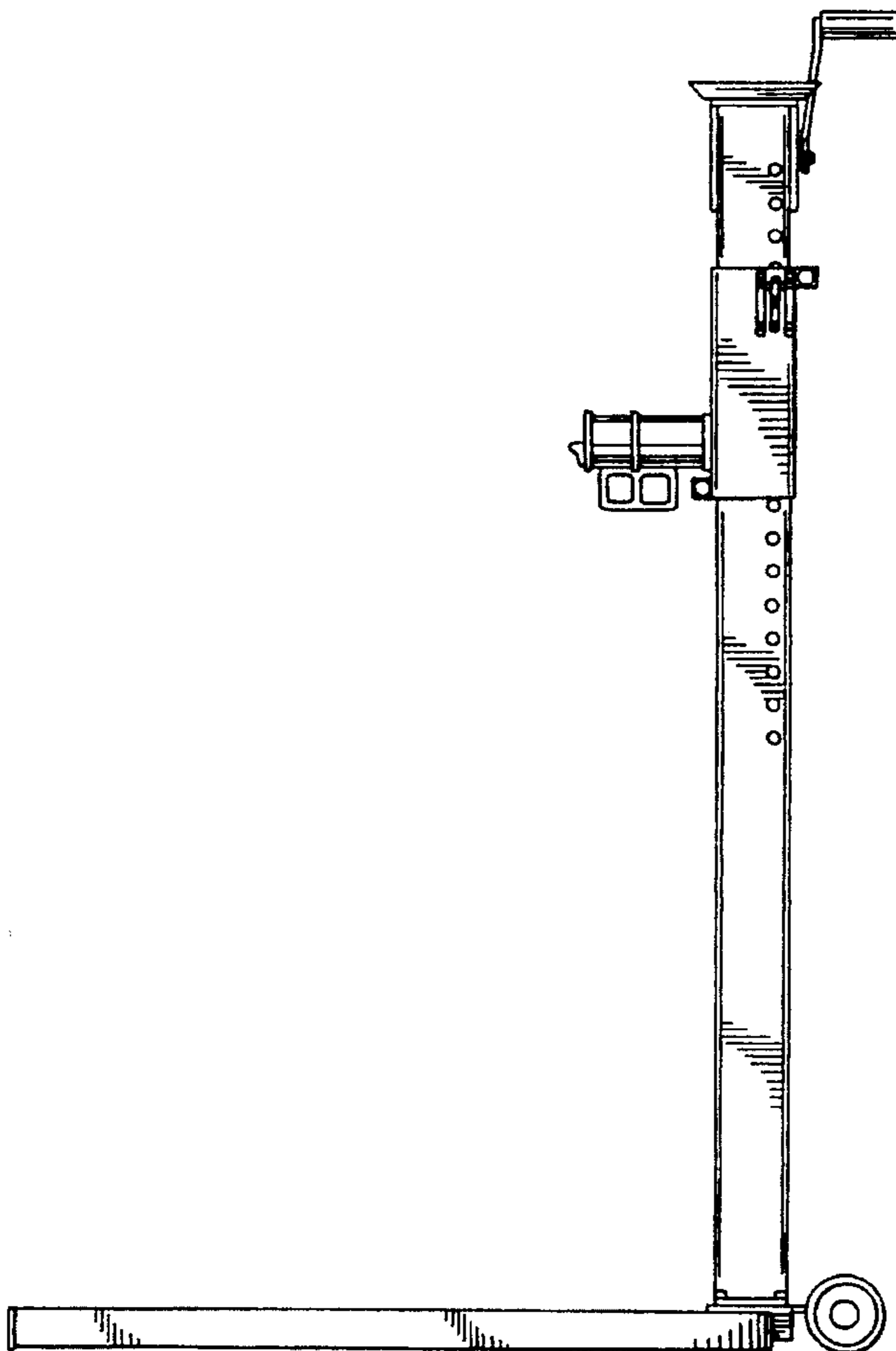


FIG. 3

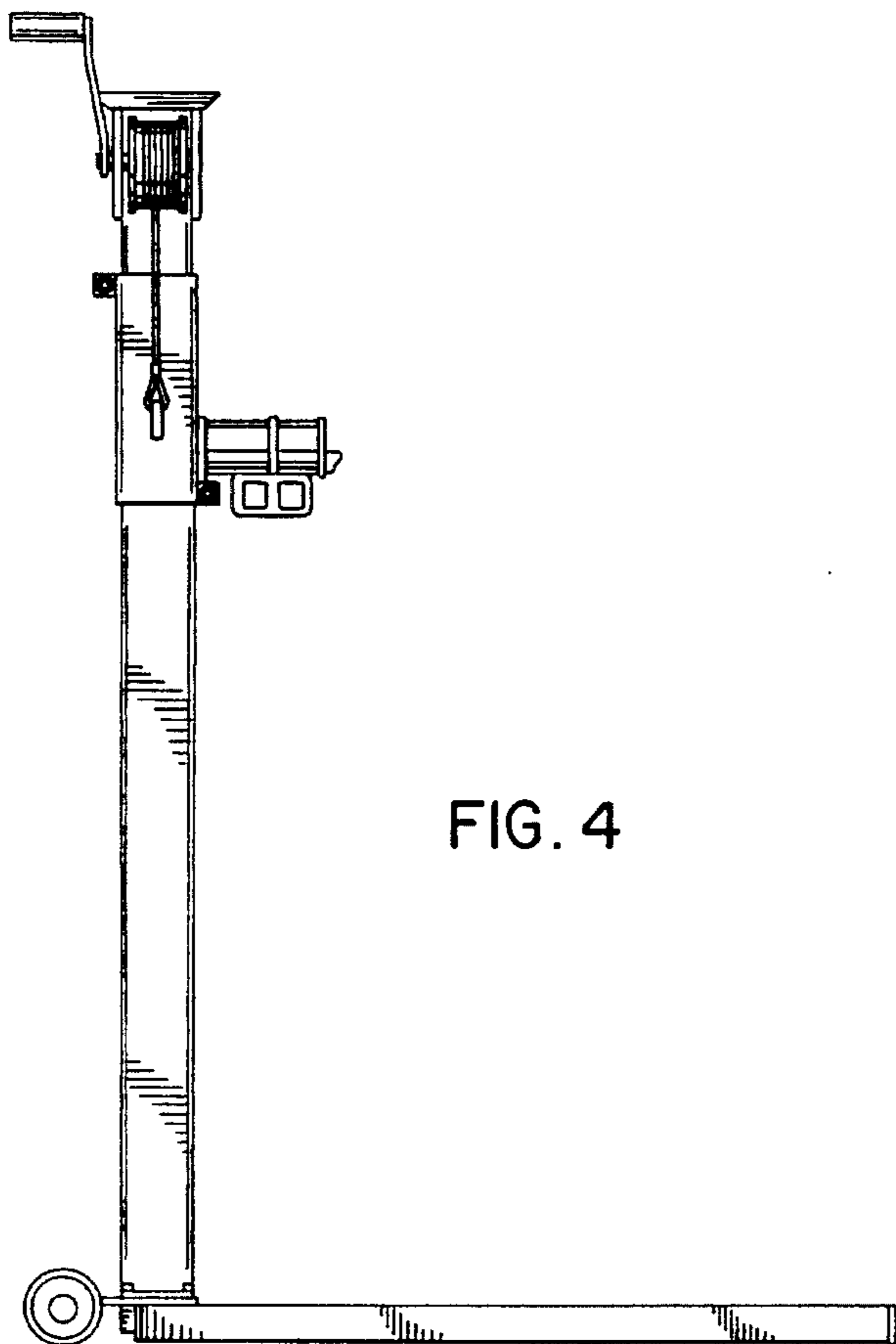


FIG. 4

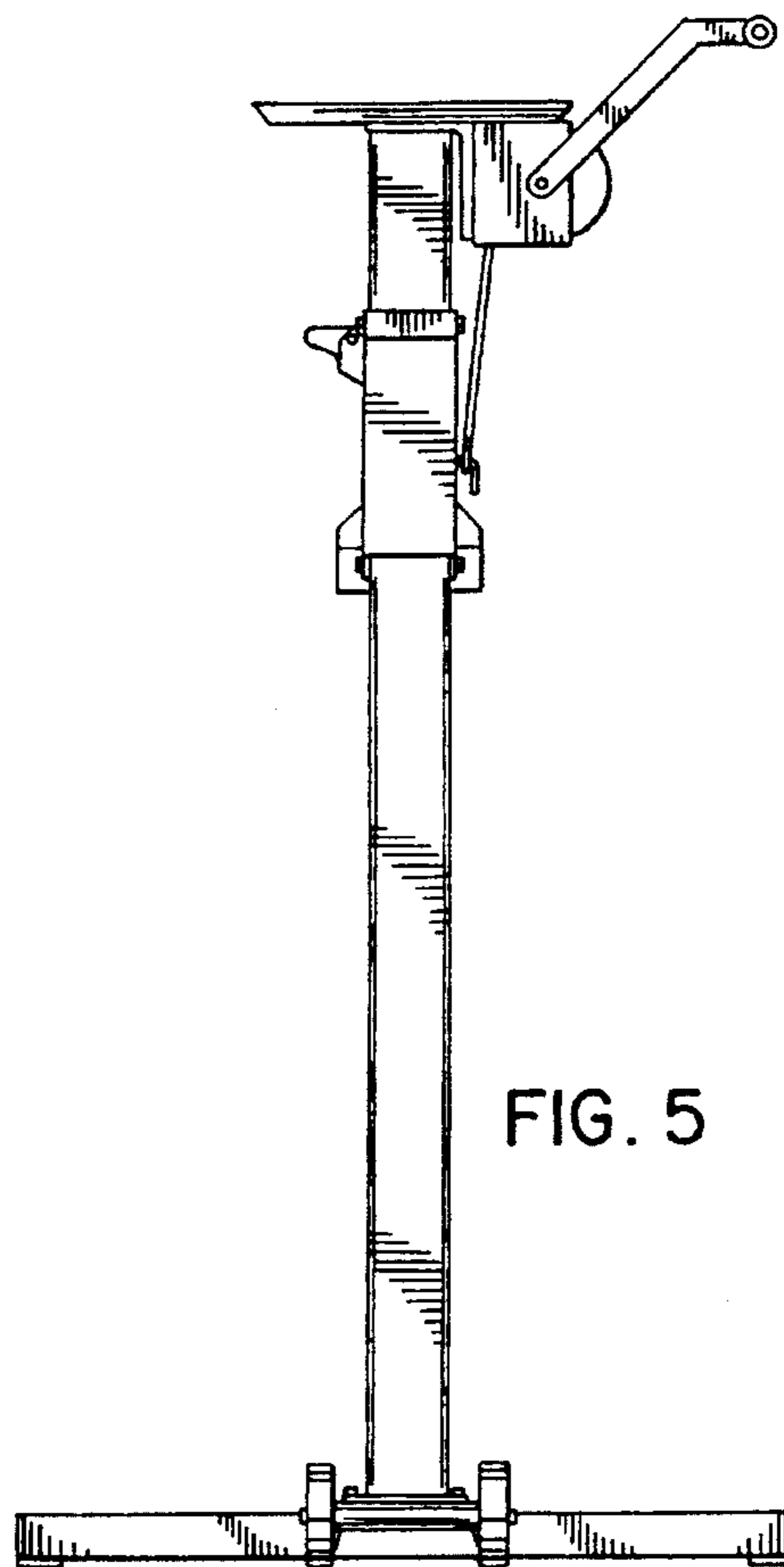


FIG. 5

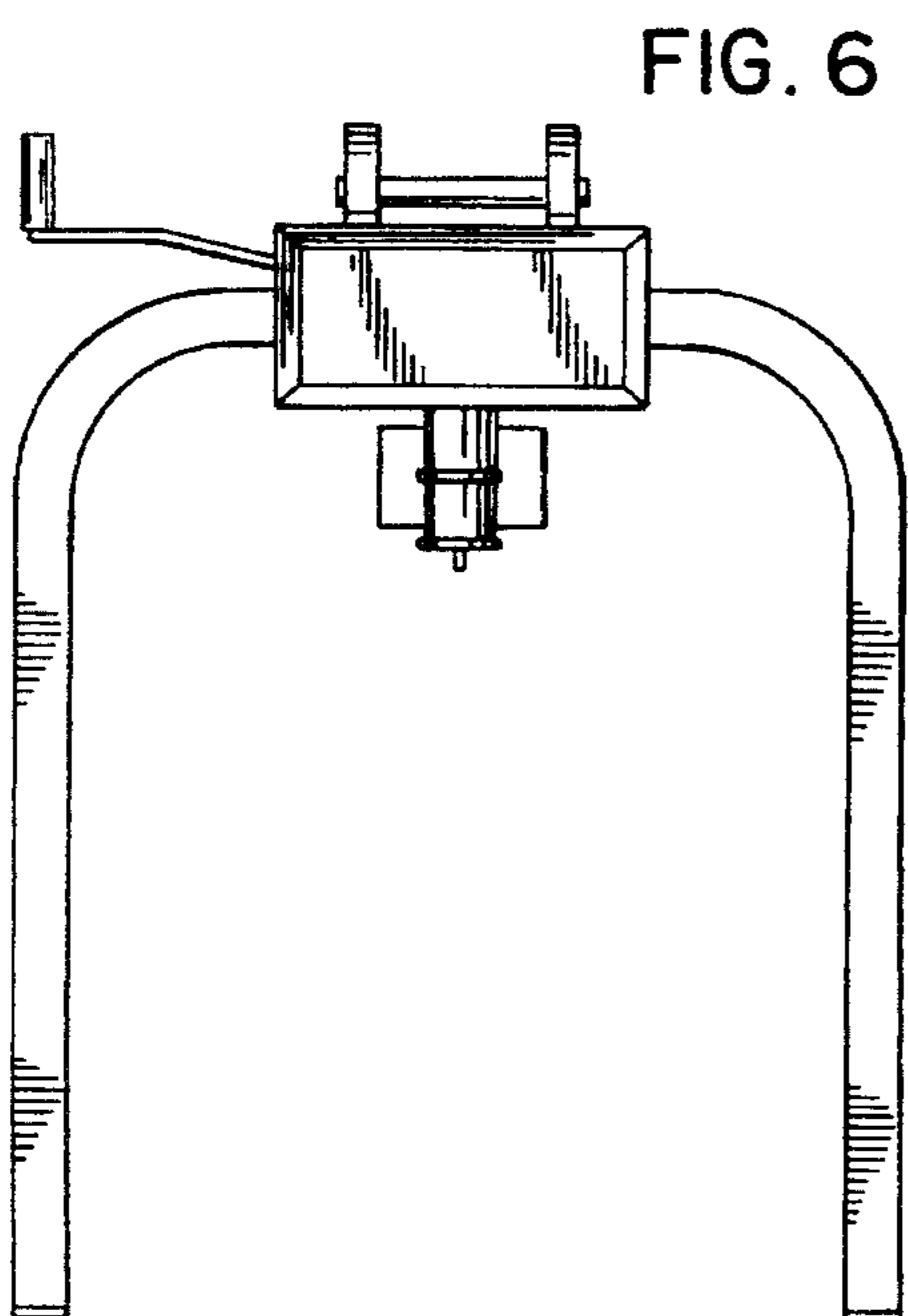


FIG. 6

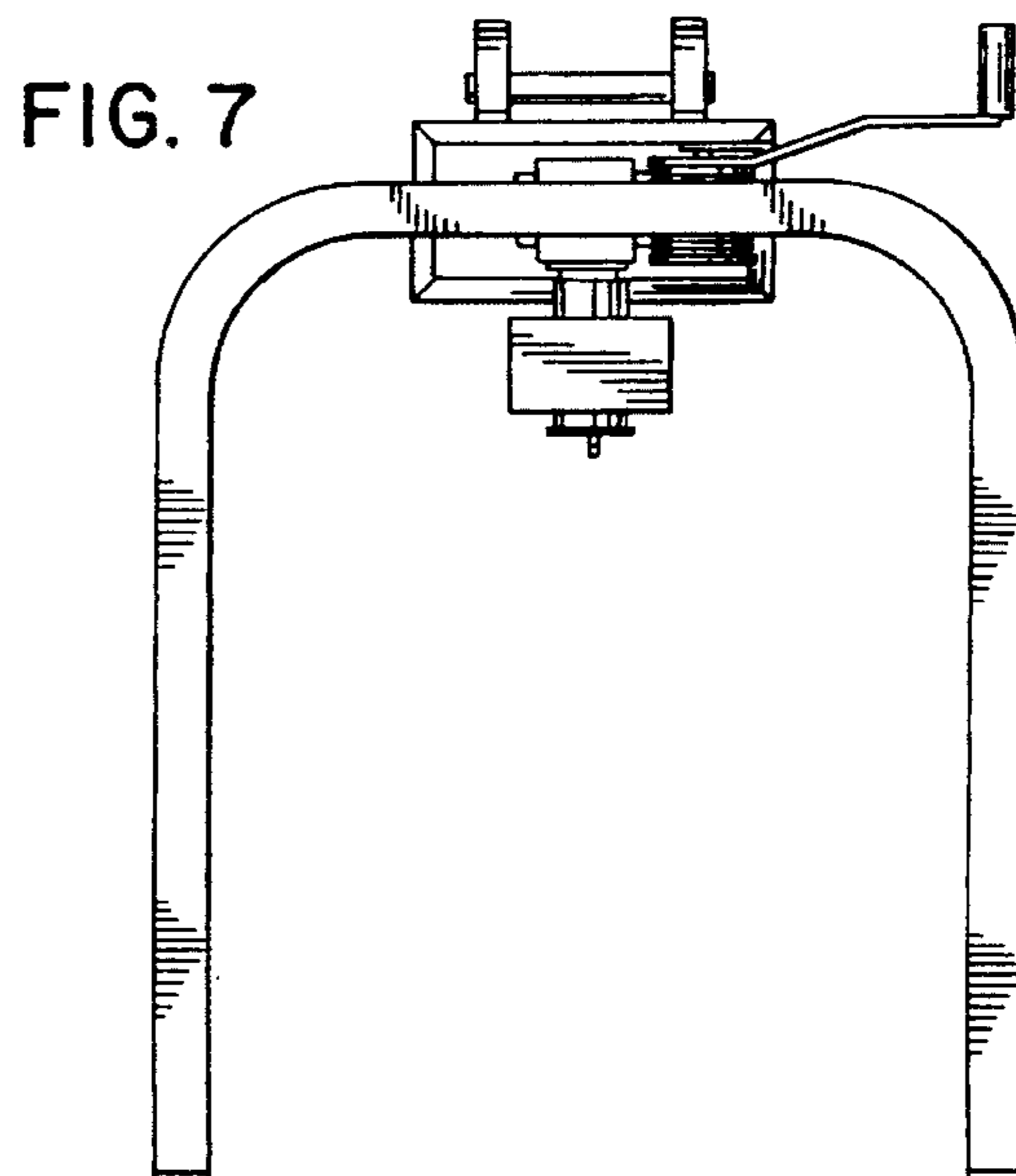


FIG. 7