



US00D370757S

United States Patent [19]

Loftus et al.

[11] Patent Number: **Des. 370,757**

[45] Date of Patent: ****Jun. 11, 1996**

[54] **WHEELED DOLLY**

[75] Inventors: **Stephen C. Loftus**, Bloxwich; **James W. R. Fathers**, Cardiff, both of United Kingdom

[73] Assignee: **McKechnie UK Limited**, West Midlands, England

[**] Term: **14 Years**

[21] Appl. No.: **36,757**

[22] Filed: **Mar. 27, 1995**

[52] U.S. Cl. **D34/23**; D34/38

[58] Field of Search D34/12-27, 38; 280/35, 47.34, 47.131, 47.331, 79.2, 79.11, 79.4, 33.998

[56] **References Cited**

U.S. PATENT DOCUMENTS

- D. 302,891 8/1989 Lardell D34/33
- D. 335,374 5/1993 Schulze et al. D34/23

FOREIGN PATENT DOCUMENTS

- 406206545 7/1994 Japan 280/33.998

Primary Examiner—Kay H. Chin
Attorney, Agent, or Firm—W. Thad Adams, III

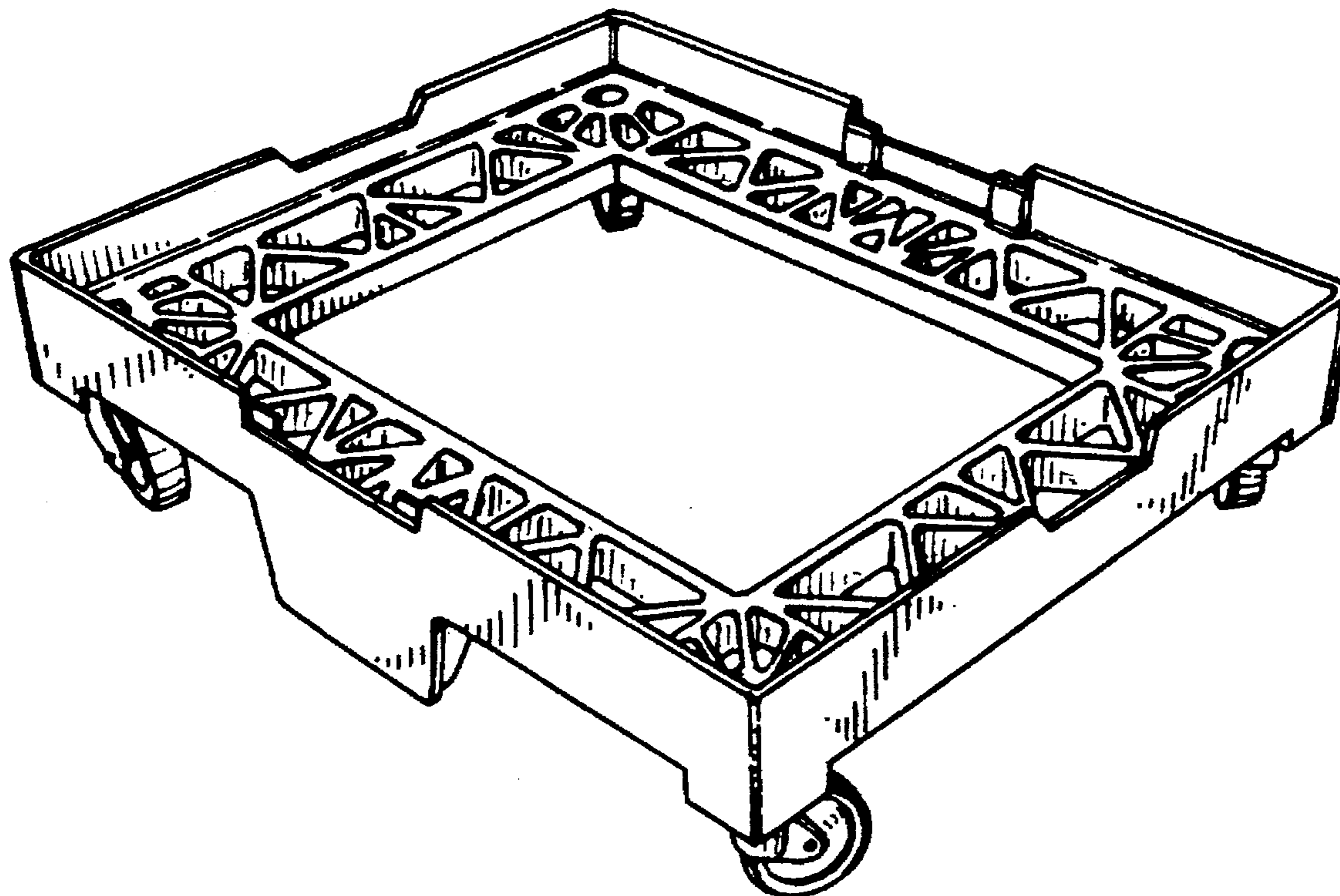
[57] **CLAIM**

The ornamental design for a wheeled dolly, as shown and described.

DESCRIPTION

FIG. 1 is a perspective view from above of a wheeled dolly embodying my design;
 FIG. 2 is a perspective view of the dolly from below;
 FIG. 3 is a view from a first side and above (opposite side corresponds);
 FIG. 4 is a view from a second side and above (opposite side corresponds);
 FIG. 5 is a view from below;
 FIG. 6 is a plan view;
 FIG. 7 is a partial enlarged view of the first side, showing the region marked "7" in FIG. 3;
 FIG. 8 is a partial enlarged view of the first side from above, showing the region marked "8" in FIG. 3;
 FIG. 9 is a partial view of the first side from below, showing the region marked "9" in FIG. 2; and,
 FIG. 10 is a partial perspective view from below, at corner, showing the region marked "10" in FIG. 2.

1 Claim, 5 Drawing Sheets



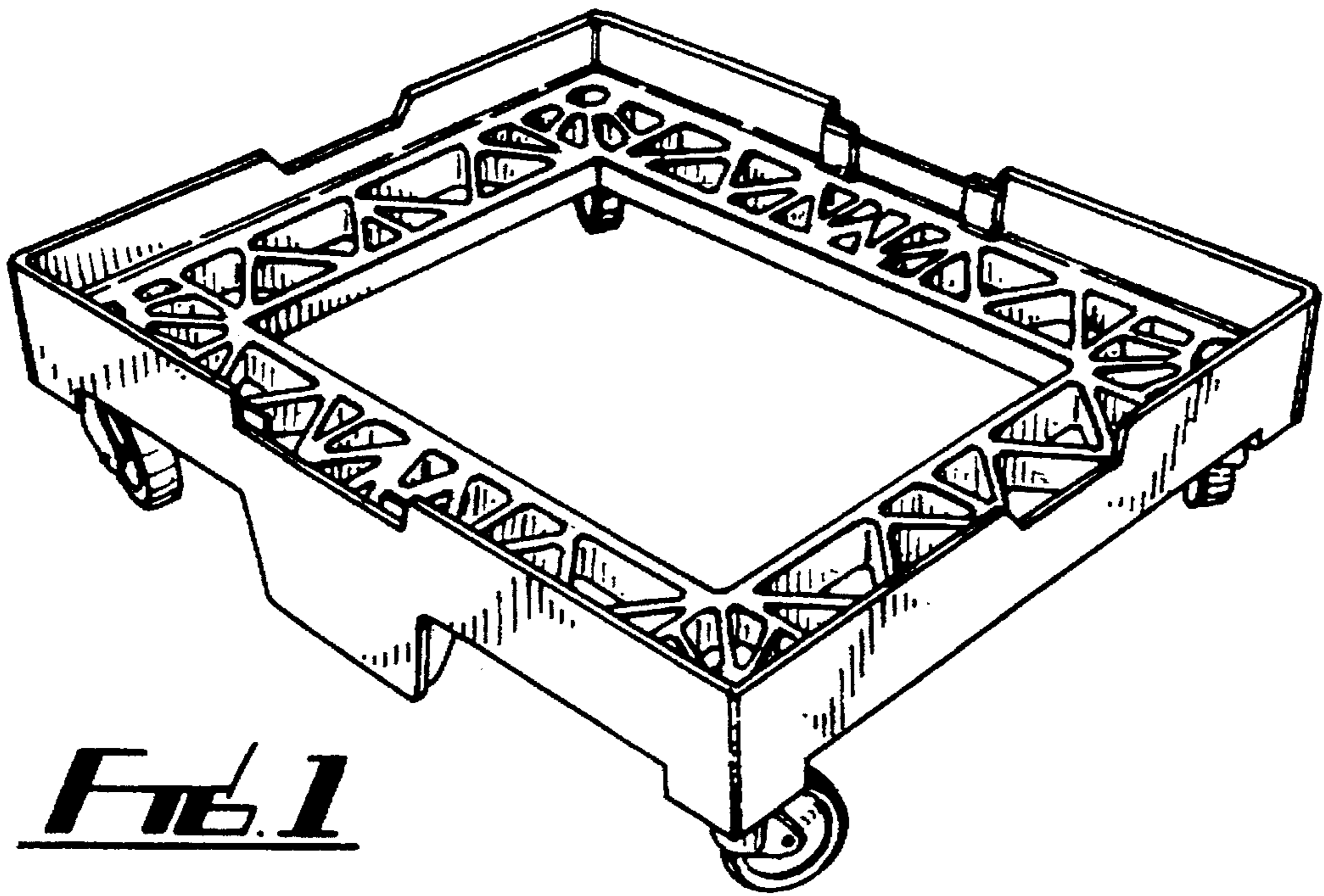


FIG. 1

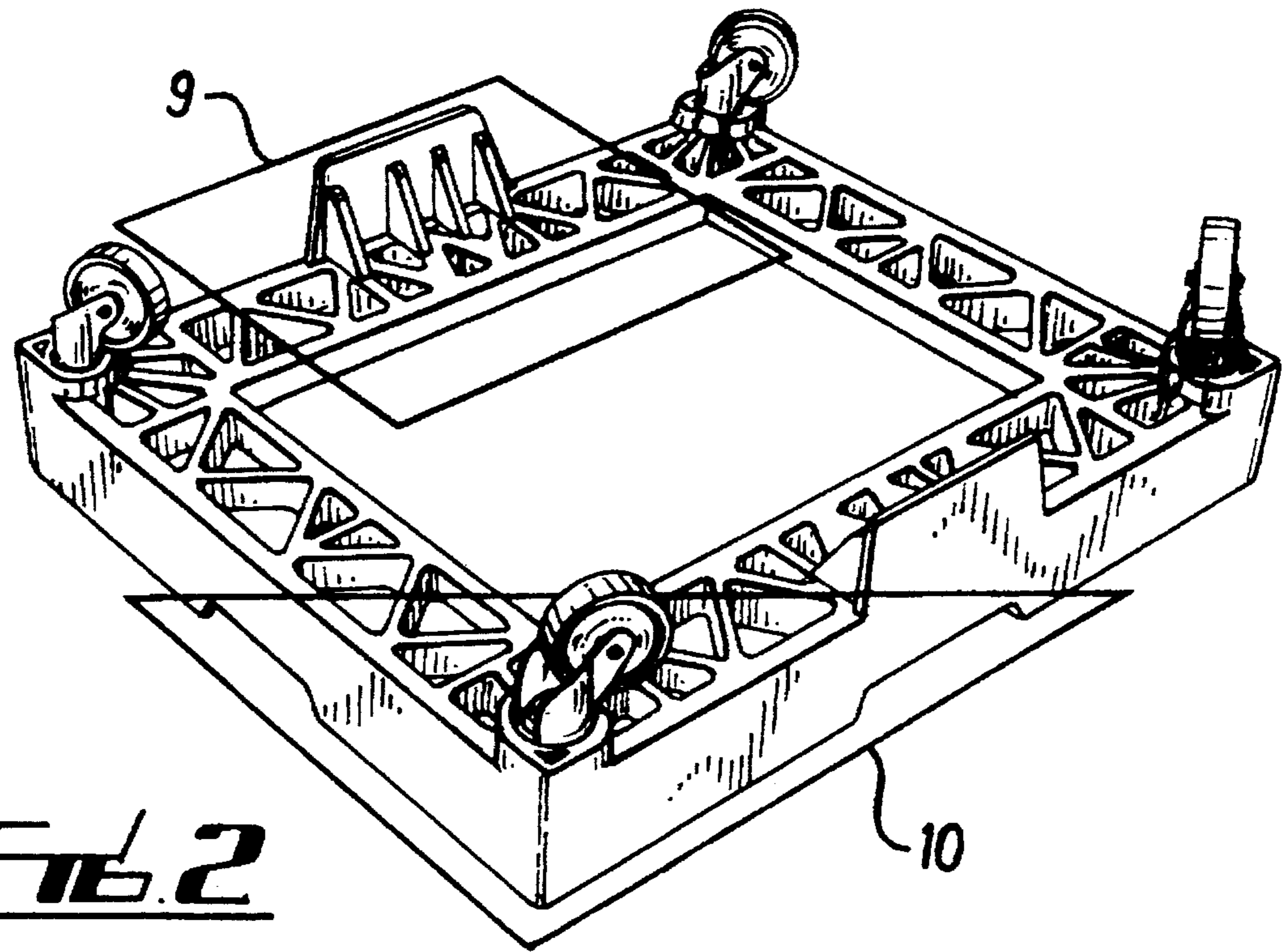
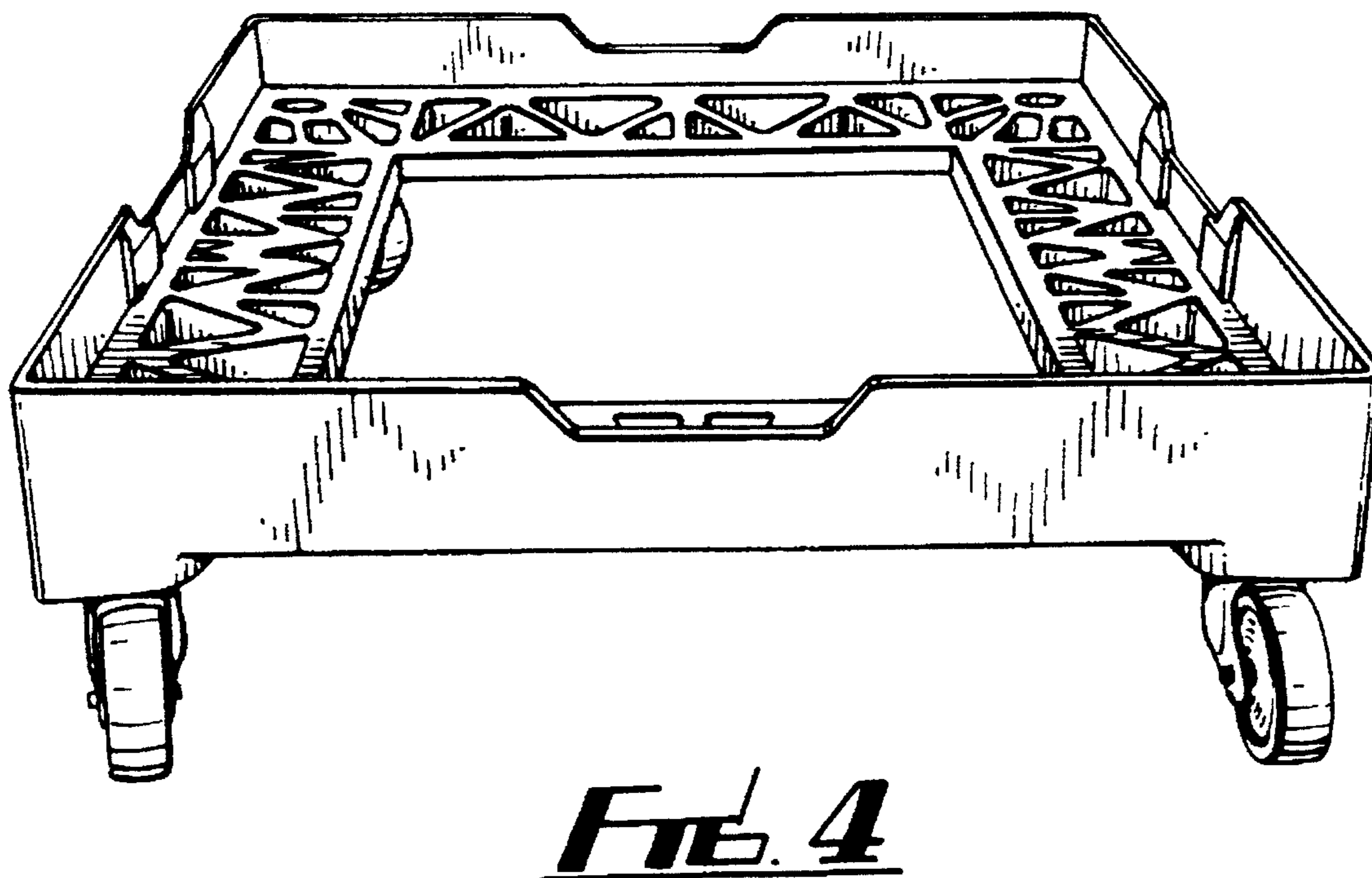
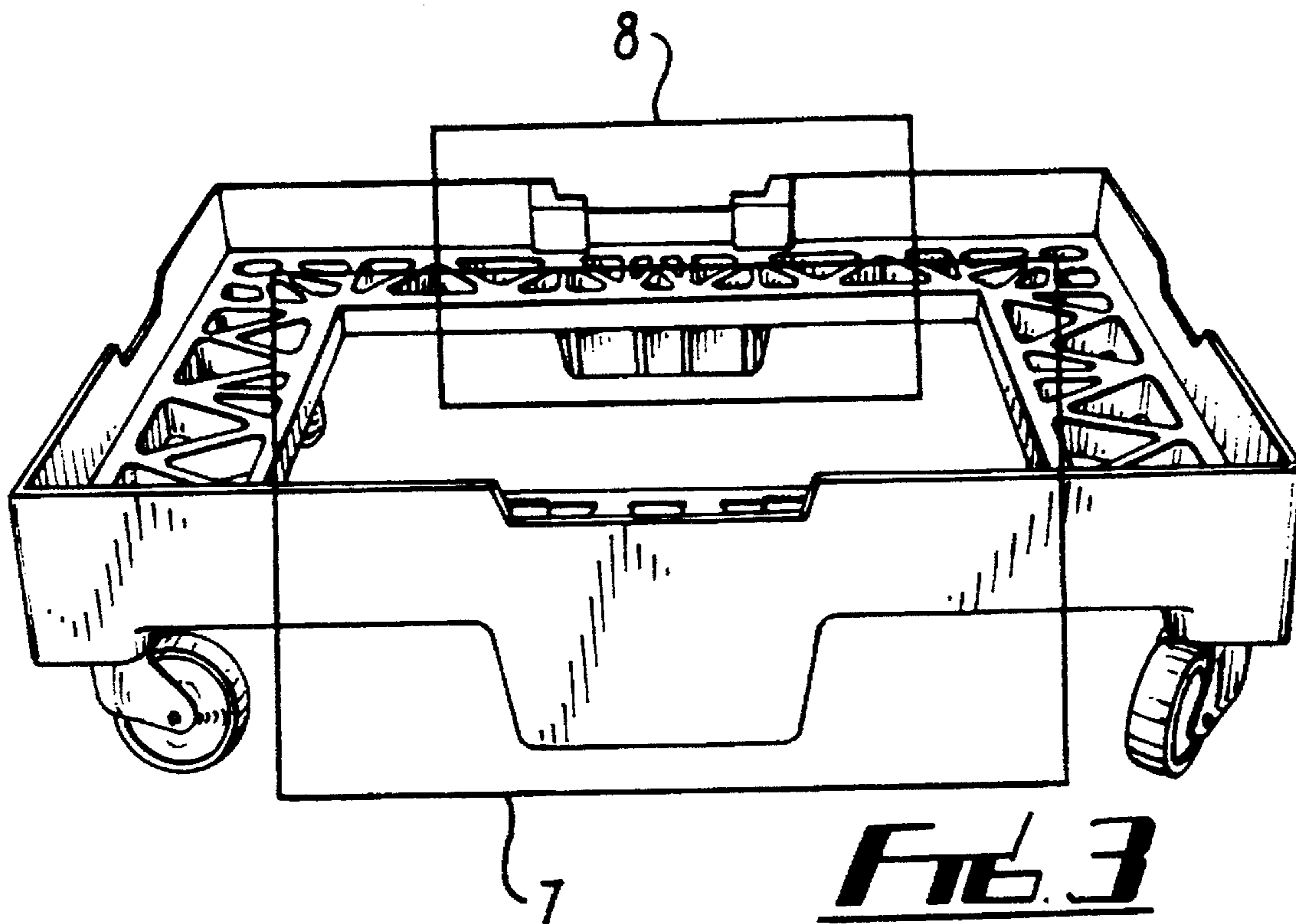


FIG. 2



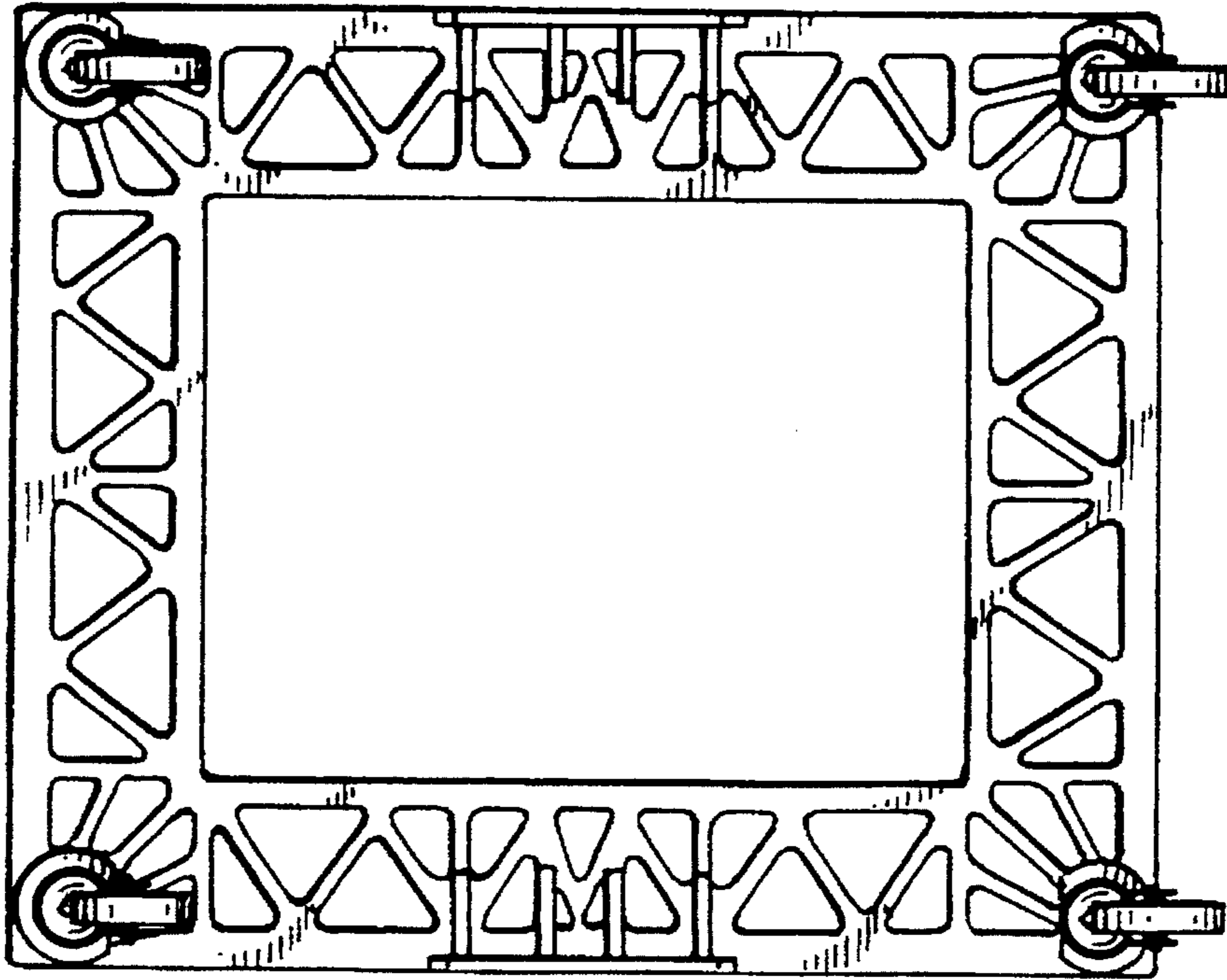


FIG. 5

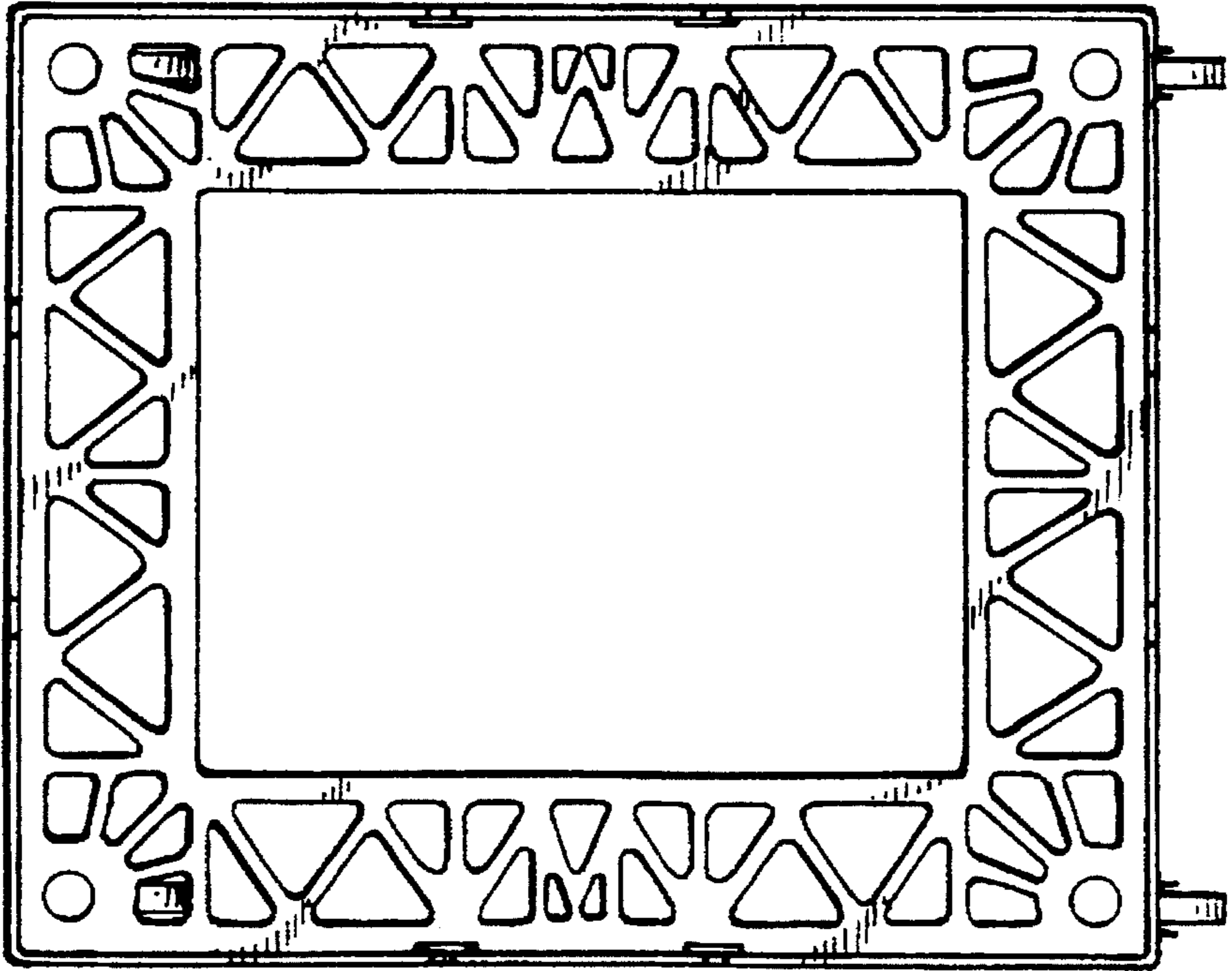


FIG. 6

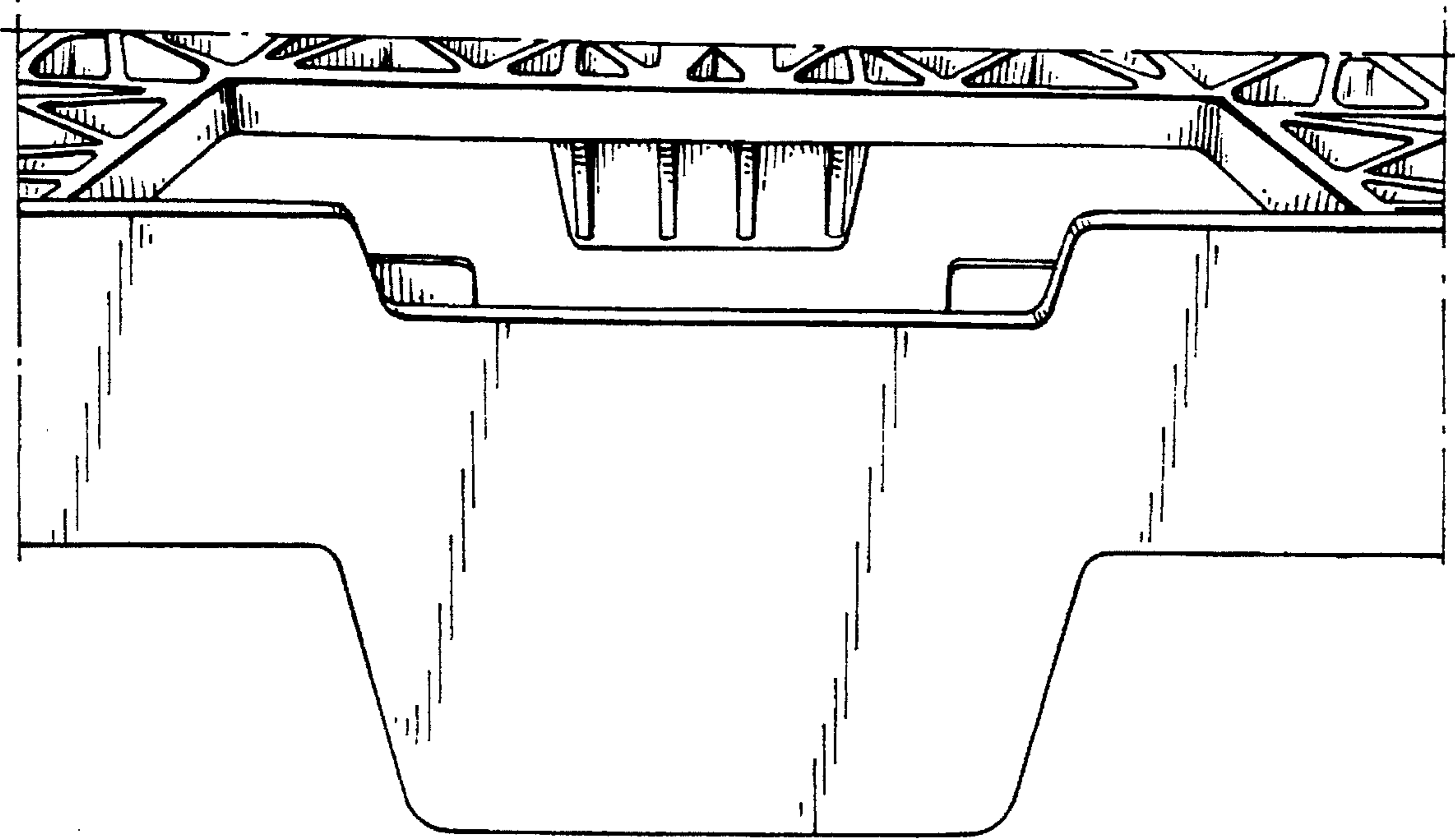


FIG. 7

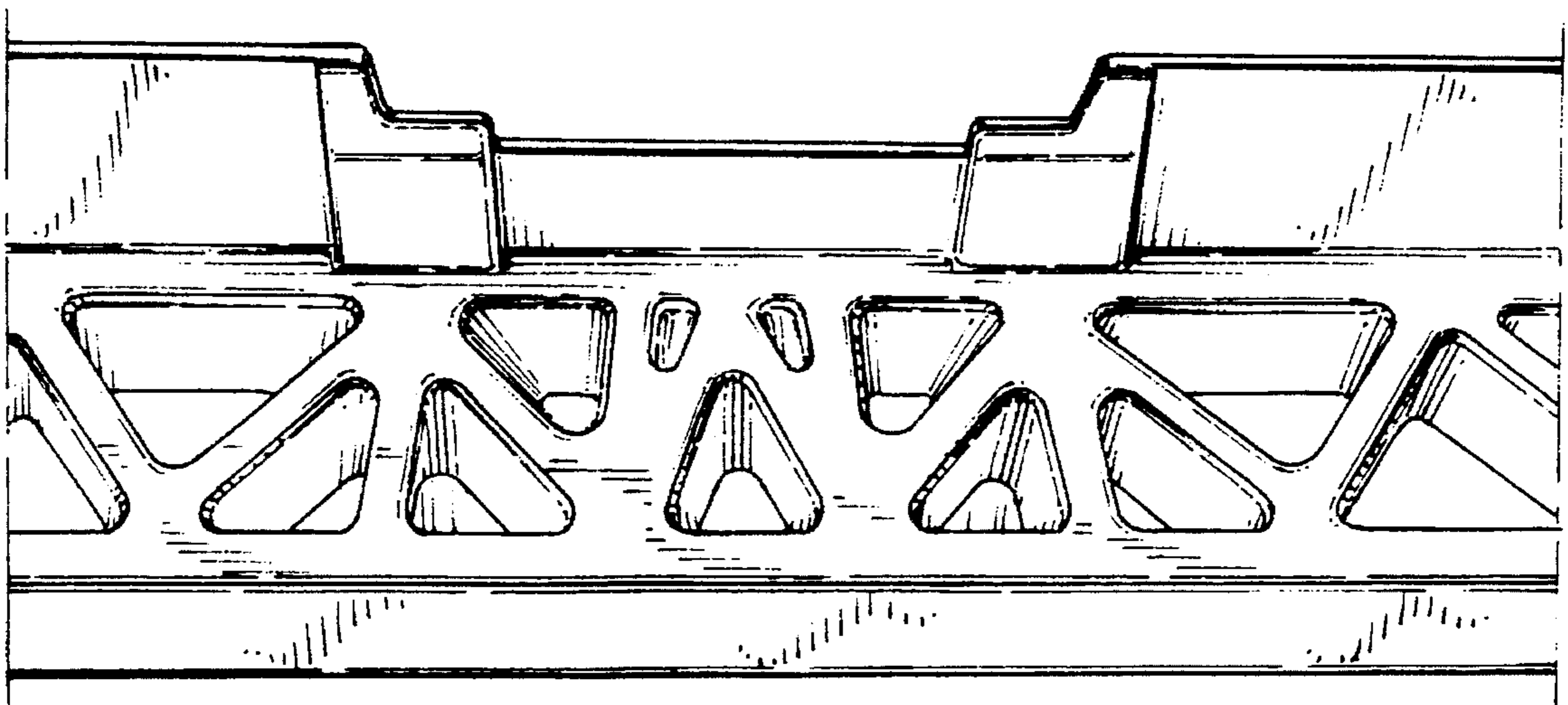


FIG. 8

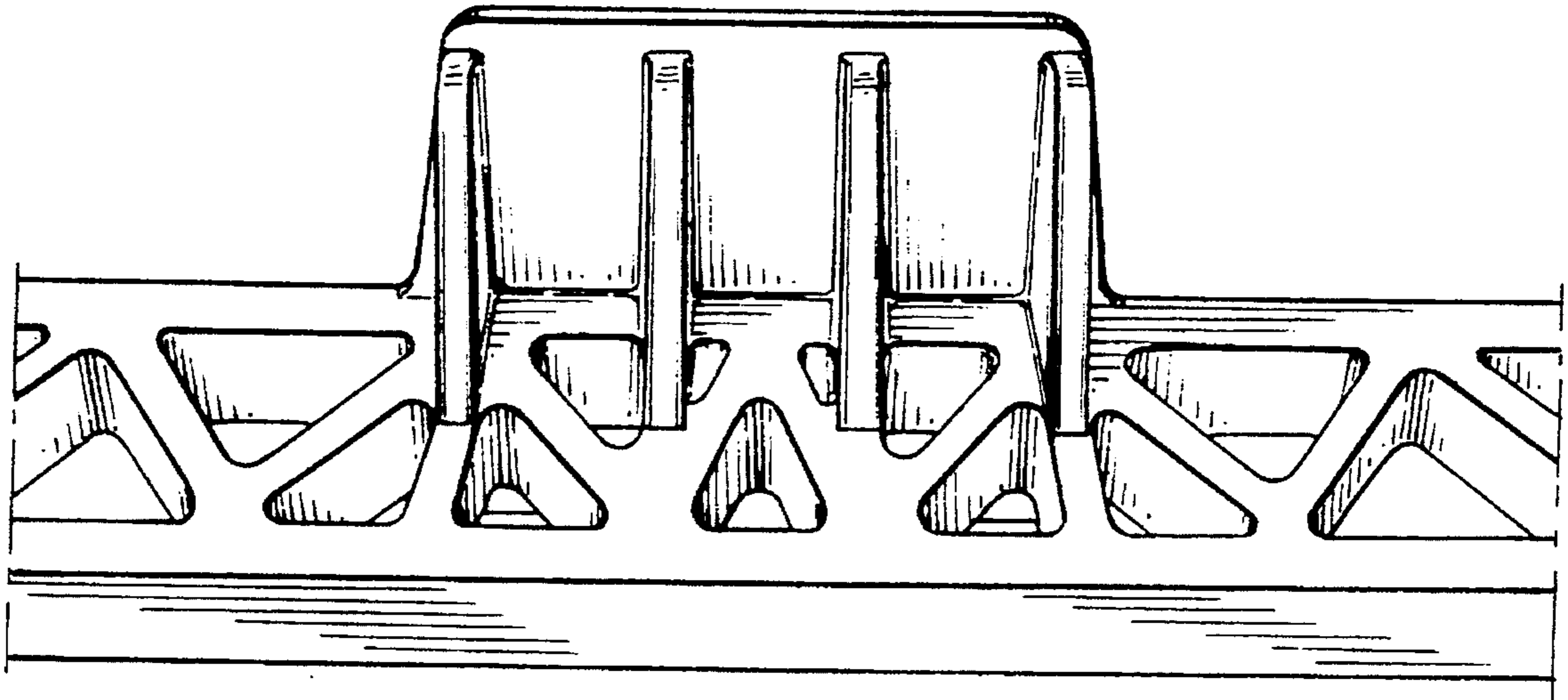


FIG. 9

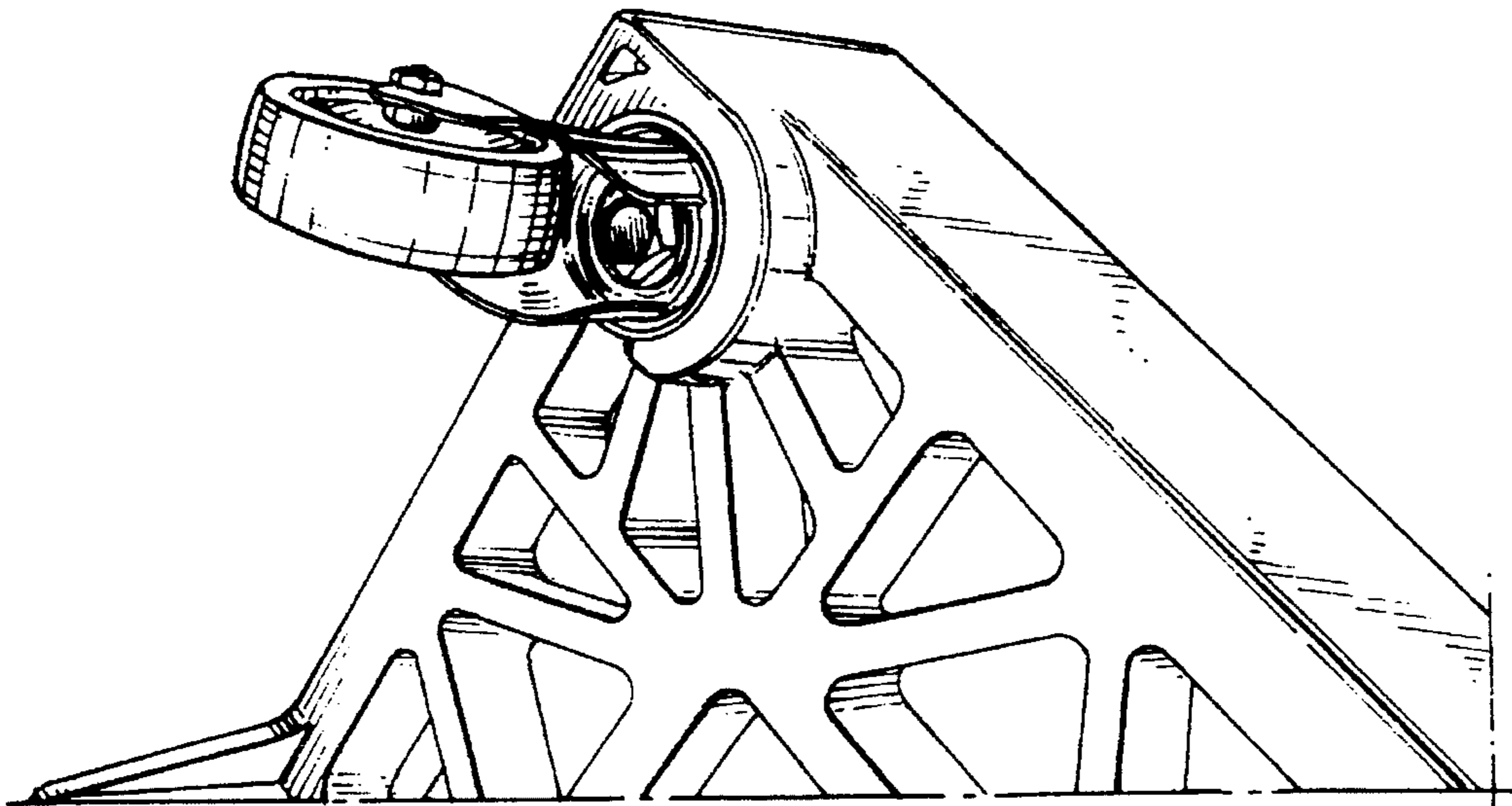


FIG. 10