



US00D370754S

United States Patent [19]

[11] Patent Number: **Des. 370,754**

Miller

[45] Date of Patent: ****Jun. 11, 1996**

[54] **PORTABLE ABRASIVE CONDITIONING AND CLEANING MACHINE**

1274878 12/1986 Japan 451/92
2139082 11/1984 United Kingdom 15/3.5

OTHER PUBLICATIONS

[75] Inventor: **David B. Miller**, Advance, N.C.

Mars Model CRS-25, Clemco Industries Corp; Nov. 1992.
BME Machine, Blast Master Equipment, Inc.; Nov. 1992.
Total Blasting and Vacuum Recovery Systems, Key Houston Division, Bulletin 109; Nov. 1992.

[73] Assignee: **Ingersoll-Rand Company**, Woodcliff Lake, N.J.

Alpha 20R, IPEC Advanced Systems, Inc.; Mar. 24, 1992.
ECS C1,C2,C4,C8, Environmental Containment Systems, Inc.; Nov. 12, 1992.

[**] Term: **14 Years**

[21] Appl. No.: **13,878**

[22] Filed: **Oct. 5, 1993**

Primary Examiner—Cathy Anne MacCormac
Attorney, Agent, or Firm—Victor M. Genco, Jr.; Michael M. Gnibus

[52] U.S. Cl. **D32/1**

[58] Field of Search 15/3.5; 451/75,
451/87-89, 92, 99, 100; D32/1, 15, 16

[57] CLAIM

[56] References Cited

The ornamental design for a portable abrasive conditioning and cleaning machine, as shown and described.

U.S. PATENT DOCUMENTS

DESCRIPTION

D. 196,958	11/1963	Goodrich	D32/1
D. 239,048	3/1976	Hewett	D32/1
D. 349,790	8/1994	Hoover	D32/15
1,987,649	1/1935	Wertz	D32/1
3,432,969	3/1969	Byttebier	451/99
3,611,639	10/1971	Ashworth	451/100
4,951,428	8/1990	Strömdahl	451/99
4,993,200	2/1991	Morioka et al.	451/99
5,099,619	3/1992	Rose	451/99
5,212,911	5/1993	Benson	451/100
5,269,424	12/1993	Lyras	451/88

FIG. 1 is a front elevational view of a portable abrasive conditioning and cleaning machine, showing my new design;

FIG. 2 is a left side view thereof;

FIG. 3 is a rear view thereof;

FIG. 4 is a right view thereof;

FIG. 5 is a top view thereof; and,

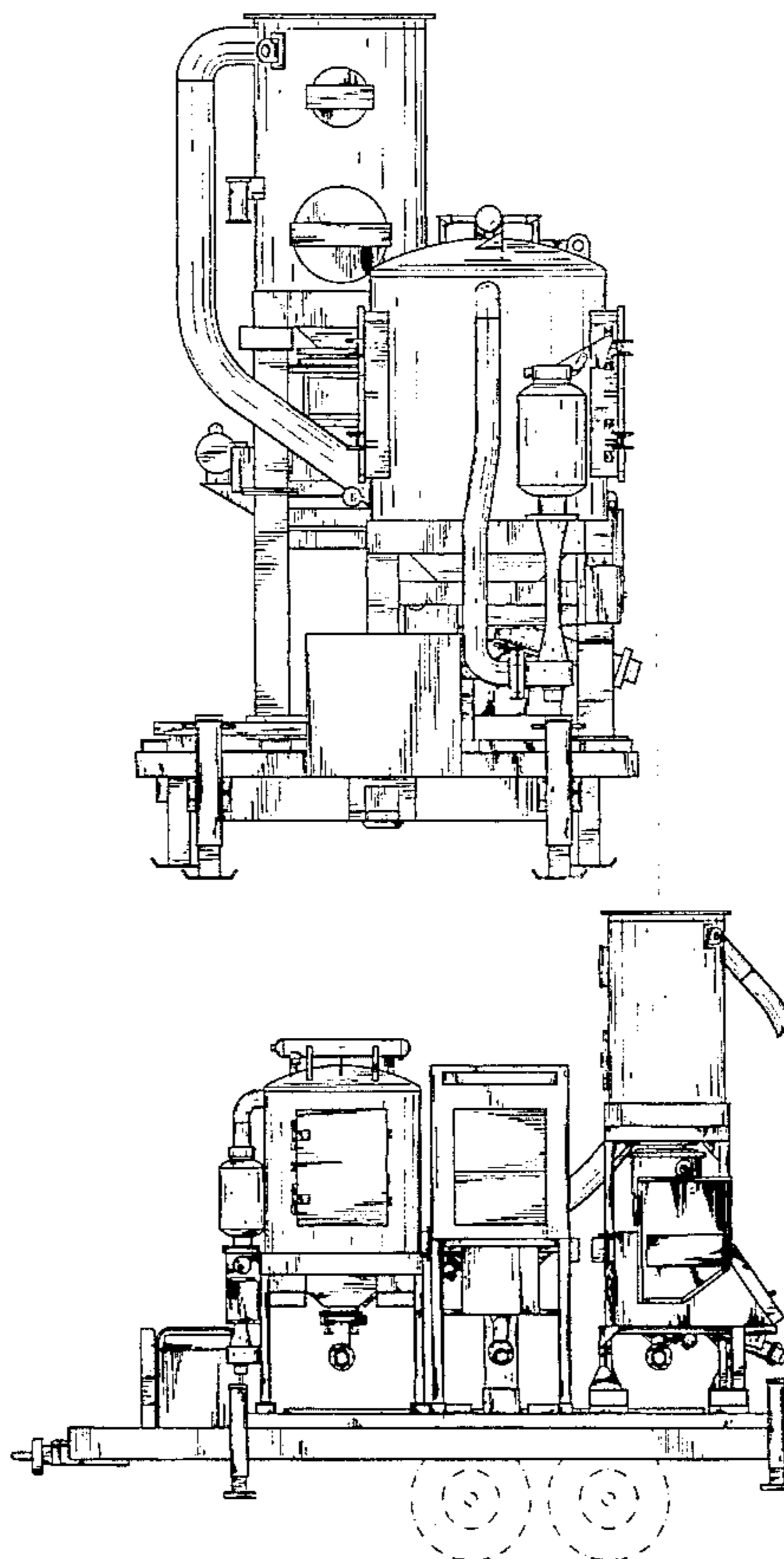
FIG. 6 is a bottom view thereof.

The broken lines are for purposes of illustration and form no part of the claimed design.

FOREIGN PATENT DOCUMENTS

2724318 11/1978 Germany 451/100

1 Claim, 6 Drawing Sheets



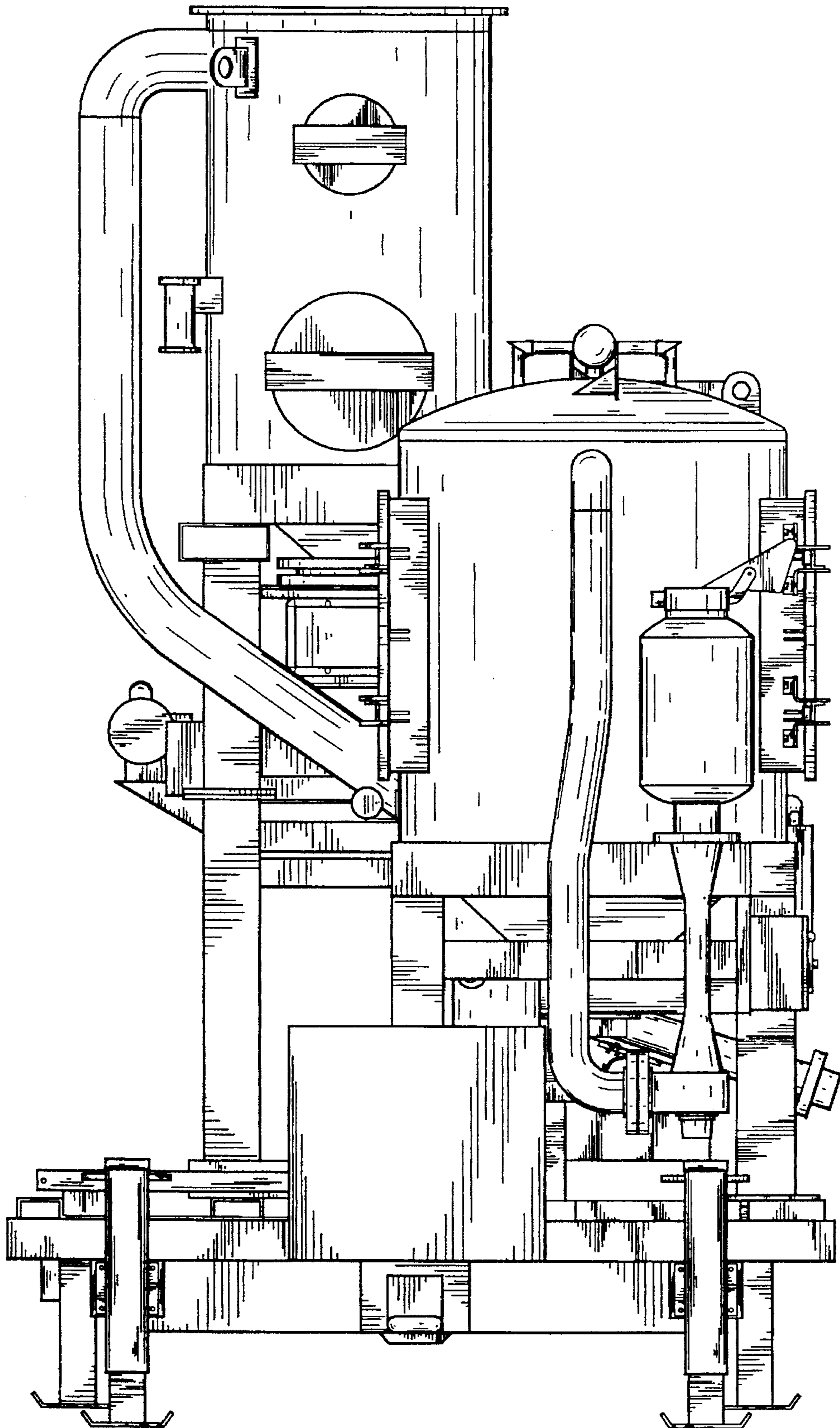


FIG. 1

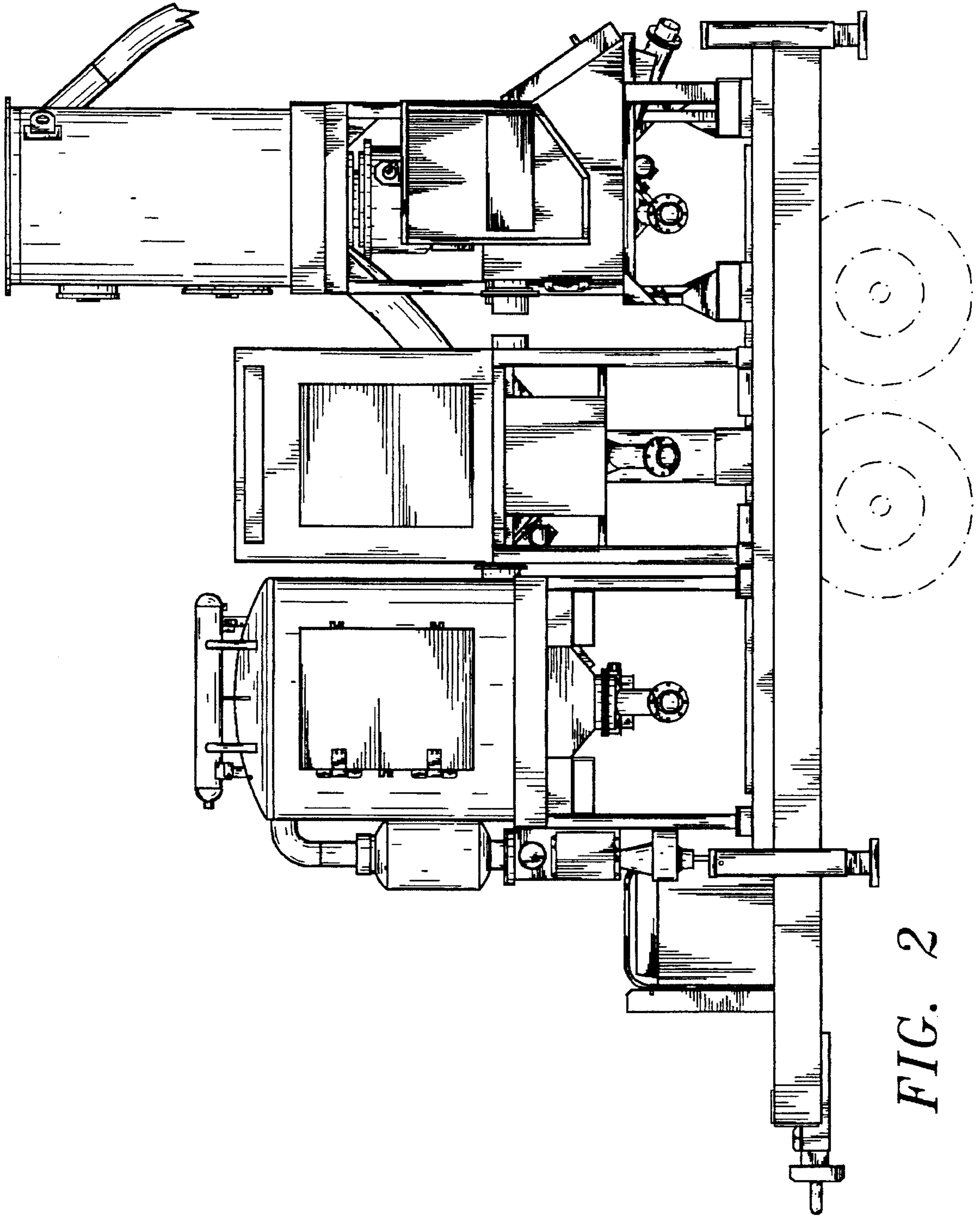


FIG. 2

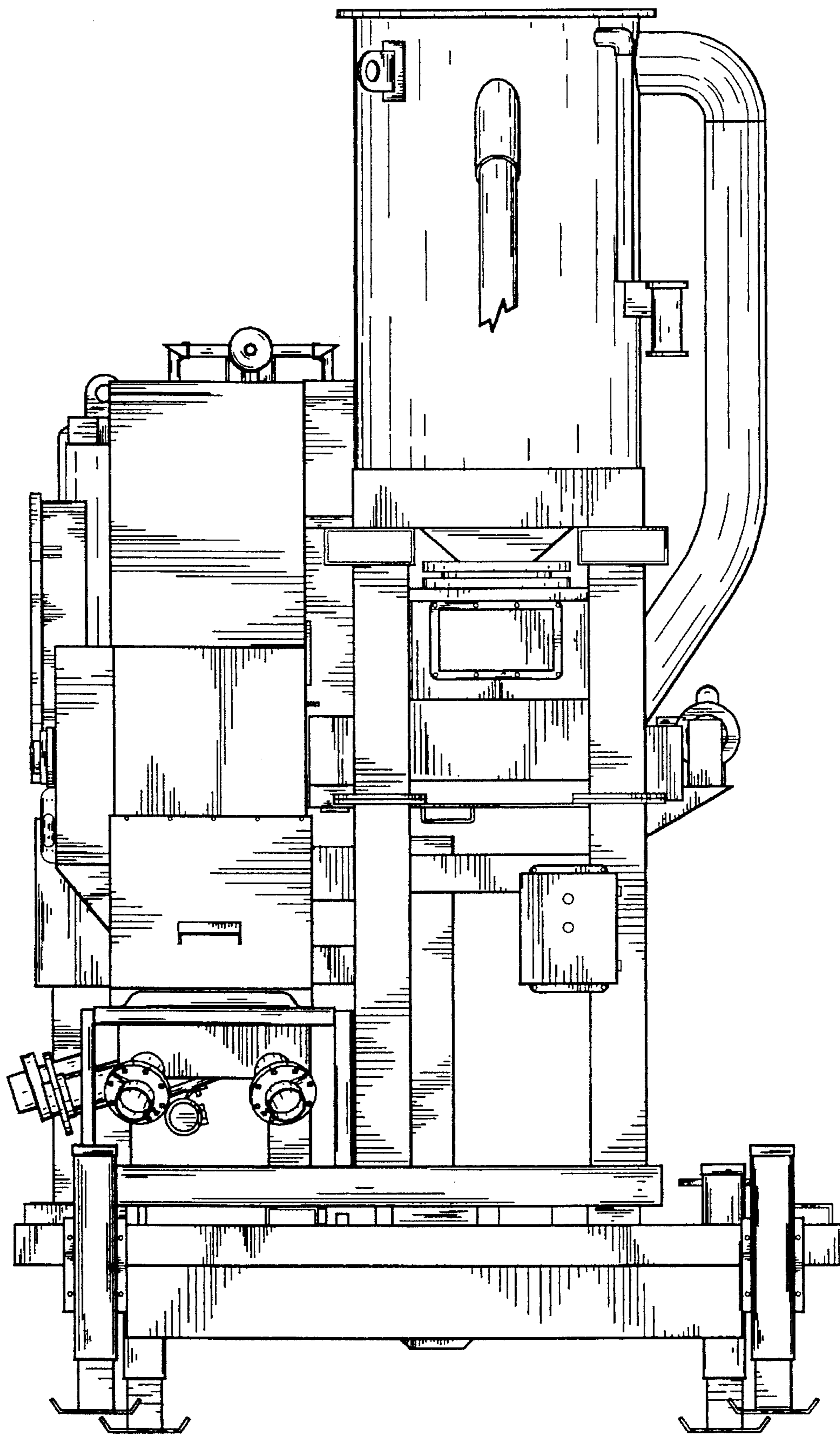


FIG. 3

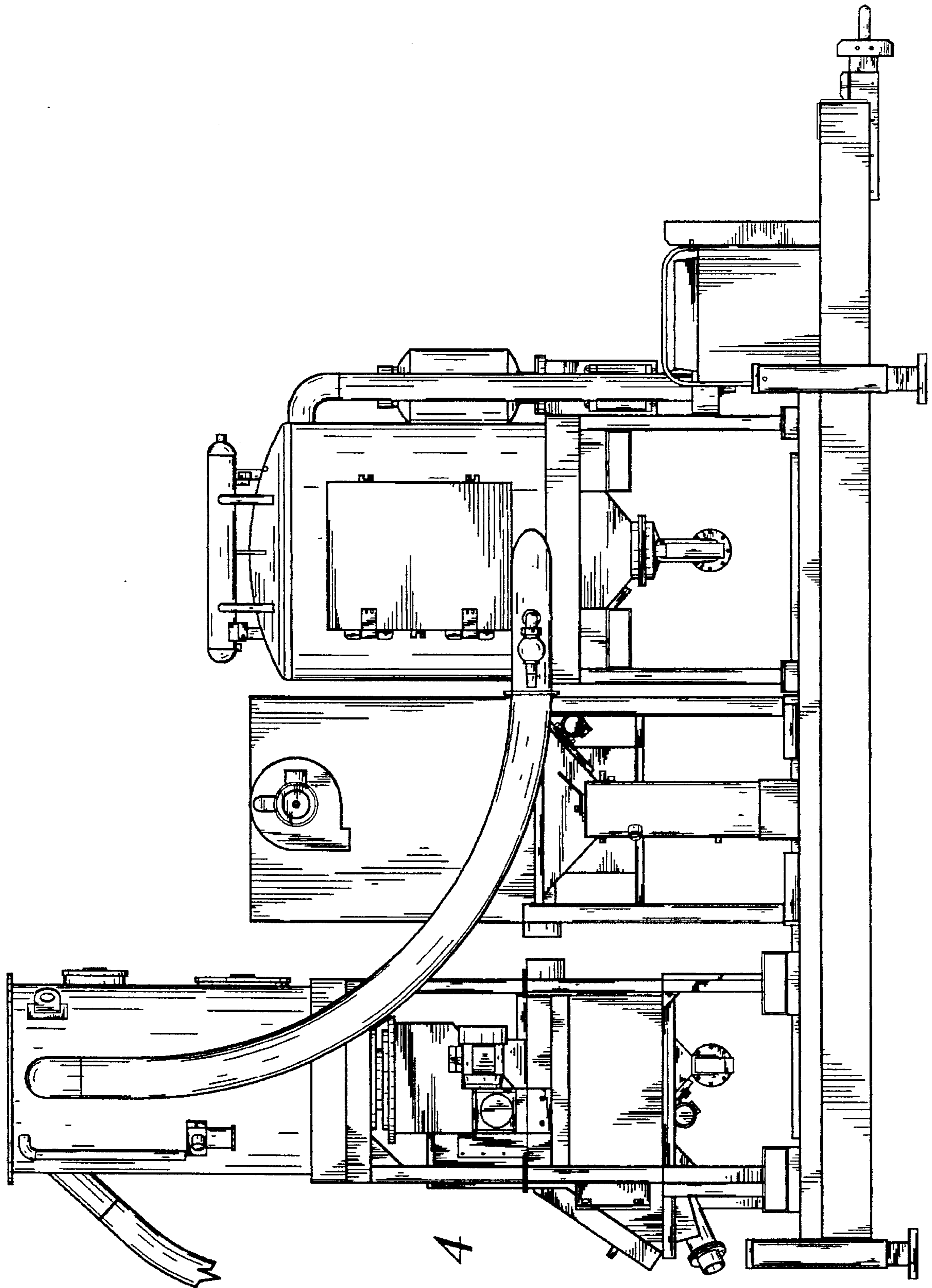


FIG. 4

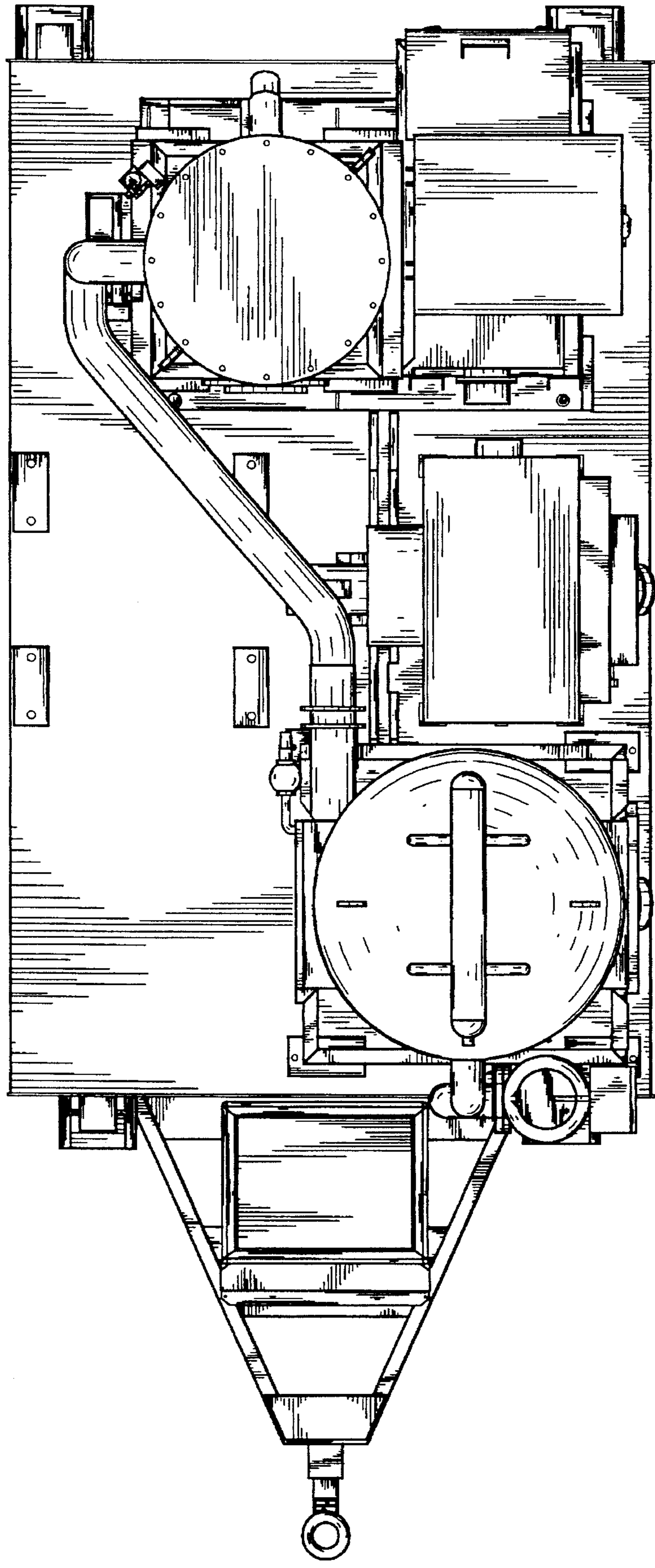


FIG. 5

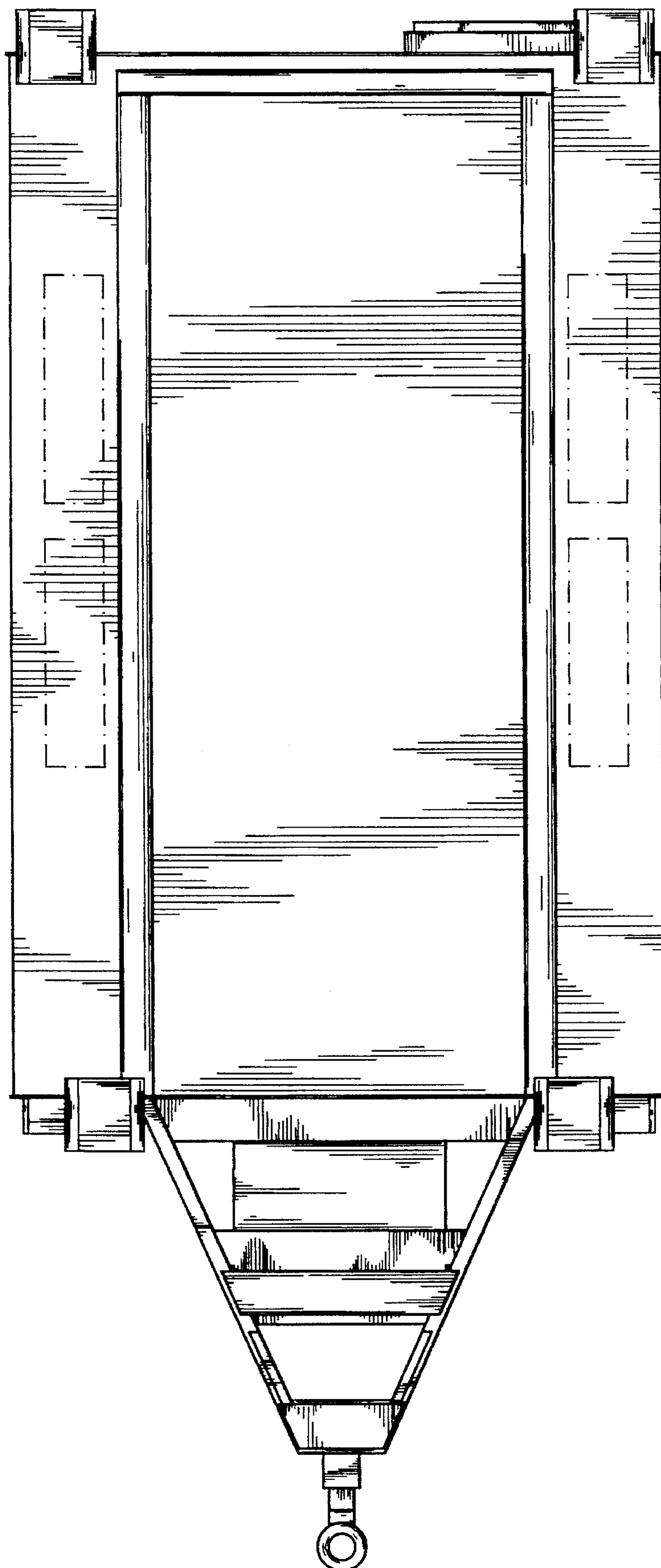


FIG. 6