



US00D370751S

United States Patent [19] Hodgson

[11] Patent Number: **Des. 370,751**

[45] Date of Patent: ****Jun. 11, 1996**

[54] **DOG TEACHING LEAD**

[76] Inventor: **Sarah Hodgson**, 21 Branch St.,
Goldens Bridge, N.Y. 10526

[**] Term: **14 Years**

[21] Appl. No.: **34,395**

[22] Filed: **Feb. 3, 1995**

[52] U.S. Cl. **D30/153**

[58] Field of Search 119/770-771, 792,
119/795, 797, 798, 857; D30/150-154

[56] **References Cited**

U.S. PATENT DOCUMENTS

D. 350,628	9/1994	Williams	D30/153
D. 359,599	6/1995	Archambault	D30/153
2,861,547	11/1958	Dale .	
3,752,127	8/1973	Baker .	
3,783,835	1/1974	Kepirq	D30/153
4,763,609	8/1988	Kulik	119/797
4,932,362	6/1990	Birchmire, III et al. .	
5,005,527	4/1991	Hatfield .	
5,351,654	10/1994	Fuentes	D30/153

FOREIGN PATENT DOCUMENTS

969043	6/1975	Canada	119/795
--------	--------	--------------	---------

482832	4/1992	European Pat. Off.	119/797
1395255	5/1975	United Kingdom	D30/153
2039705	8/1980	United Kingdom	119/795

OTHER PUBLICATIONS

Master Animal Care Catalog; p. 7; #R 5642 Leather Lead.

Primary Examiner—Cathy Anne MacCormac
Attorney, Agent, or Firm—Eliot S. Gerber

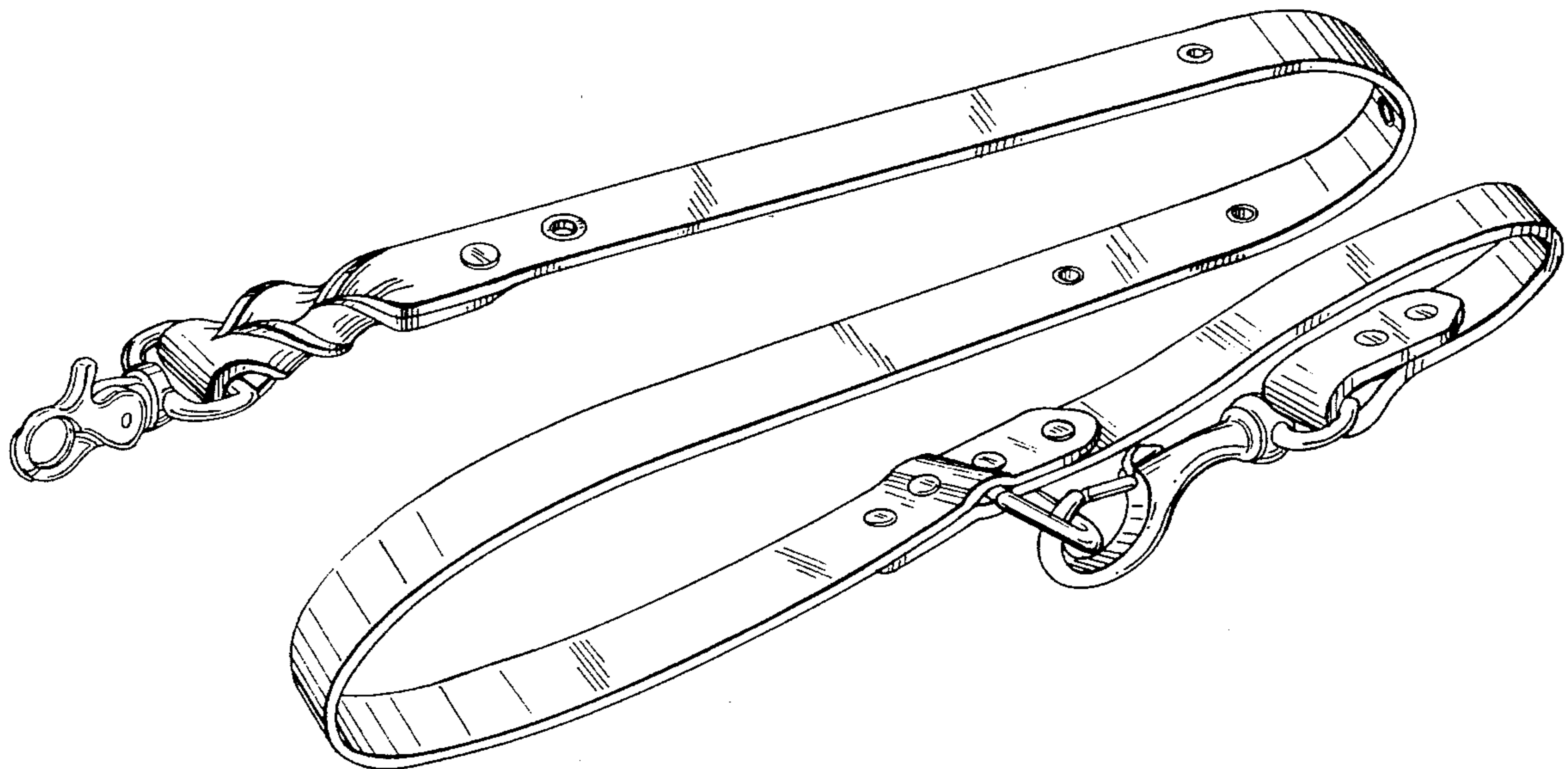
[57] **CLAIM**

The ornamental design for an ornamental dog teaching lead, as shown and described.

DESCRIPTION

FIG. 1 is a perspective view of an ornamental dog teaching lead showing my new design;
FIG. 2 is a front end view thereof;
FIG. 3 is a top plan view thereof;
FIG. 4 is a right side plan view thereof;
FIG. 5 is a left side view thereof; and,
FIG. 6 is a bottom plan view thereof.
FIGS. 3-6 are broken away for convenience of illustration.

1 Claim, 2 Drawing Sheets



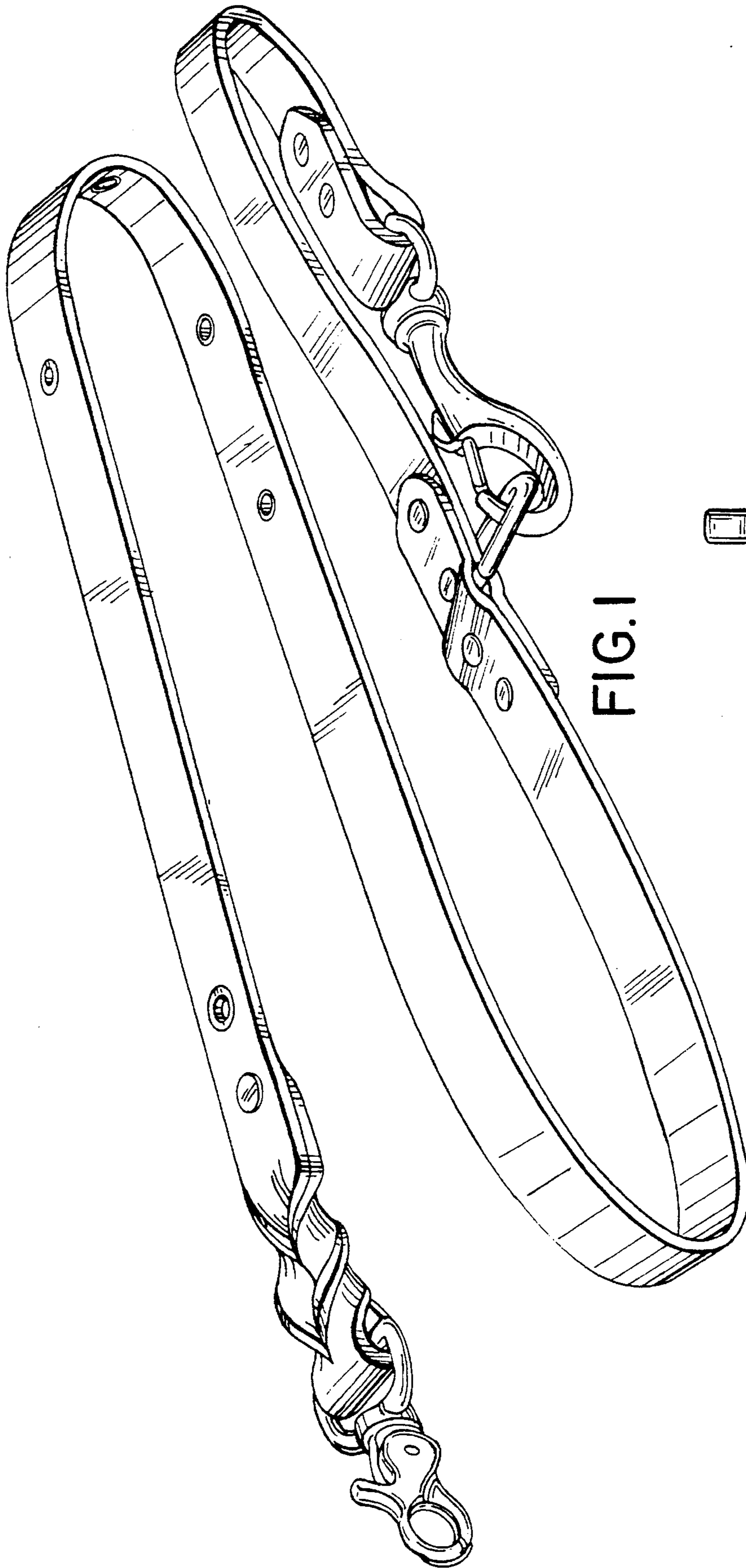


FIG. 1

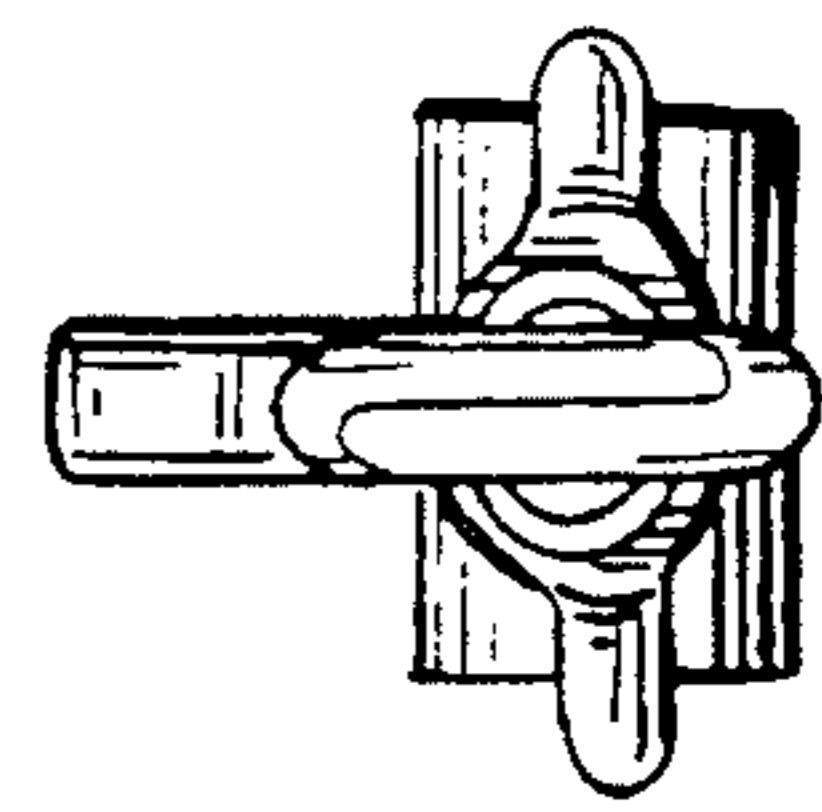


FIG. 2

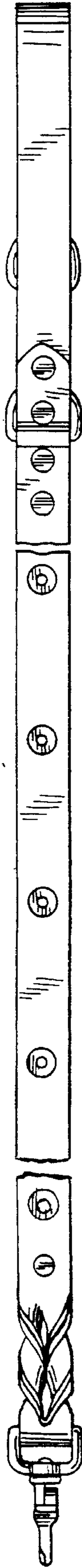


FIG. 3



FIG. 4



FIG. 5

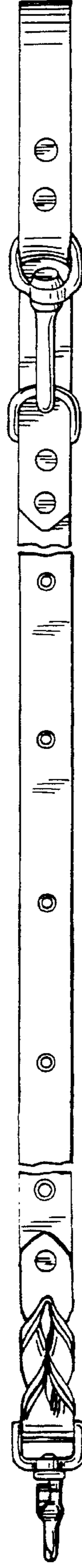


FIG. 6