



US00D370749S

United States Patent [19]

Lillelund et al.

[11] Patent Number: **Des. 370,749**

[45] Date of Patent: ****Jun. 11, 1996**

[54] **PET FEEDER BOWL**

[75] Inventors: **Stig Lillelund, Gentofte; Mikael Koch, København Ø, both of Denmark**

[73] Assignee: **Dart Industries Inc., Deerfield, Ill.**

[**] Term: **14 Years**

[21] Appl. No.: **36,002**

[22] Filed: **Mar. 16, 1995**

[52] U.S. Cl. **D30/129**

[58] Field of Search 119/61, 53-54, 119/77, 52.1, 51.5; D30/121-122, 124-133; D7/701, 560

[56] **References Cited**

U.S. PATENT DOCUMENTS

D. 340,554	10/1993	Wheeler	D30/129
D. 353,082	12/1994	Keven	D7/701
D. 353,518	12/1994	Cautereels et al.	D7/560
1,191,184	7/1916	Hooper	119/61
2,029,342	2/1936	Schultz	220/576
2,795,121	6/1957	Pantello	220/23.83
3,085,718	4/1963	Nelson	222/168
3,442,435	5/1969	Ludder et al.	220/528
3,554,165	1/1971	Carter	119/61
4,128,080	12/1978	Haney	119/51.5

5,011,018	4/1991	Keffeler	206/532
5,111,951	5/1992	Breen et al.	220/23.4

FOREIGN PATENT DOCUMENTS

37956	9/1927	Denmark	119/61
140	of 1896	United Kingdom	119/61

Primary Examiner—Cathy Anne MacCormac
Attorney, Agent, or Firm—John A. Doninger

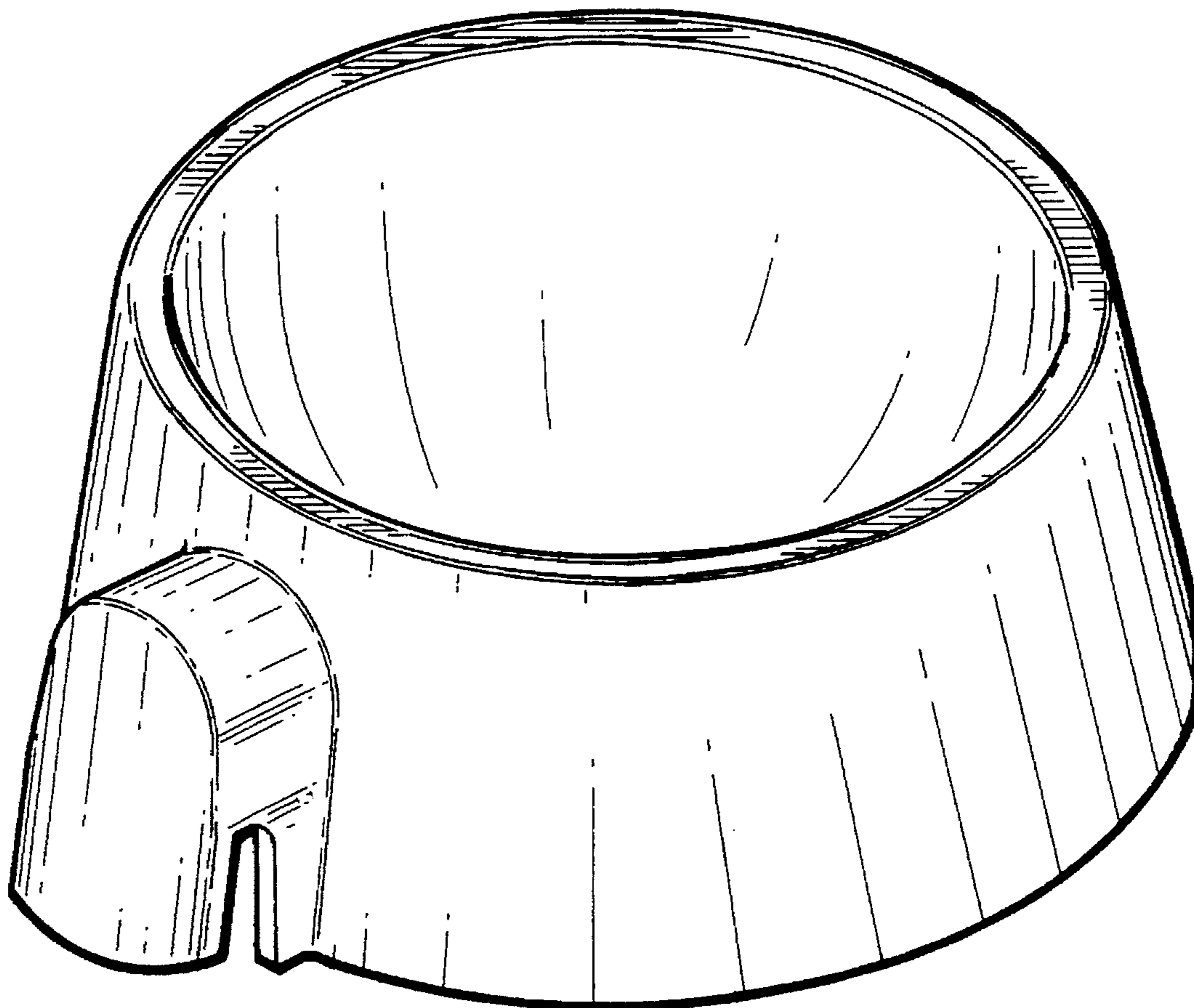
[57] **CLAIM**

The ornamental design for a pet feeder bowl, as shown.

DESCRIPTION

FIG. 1 is a top and rear perspective view of a pet feeder bowl showing our new design;
 FIG. 2 is a top plan view thereof;
 FIG. 3 is a bottom plan view thereof;
 FIG. 4 is a front view thereof;
 FIG. 5 is a rear view thereof;
 FIG. 6 is a right side view thereof;
 FIG. 7 is a left side view thereof;
 FIG. 8 is a cross-sectional view thereof on line 8—8 in FIG. 2; and,
 FIG. 9 is a cross-sectional view thereof on line 9—9 in FIG. 2.

1 Claim, 4 Drawing Sheets



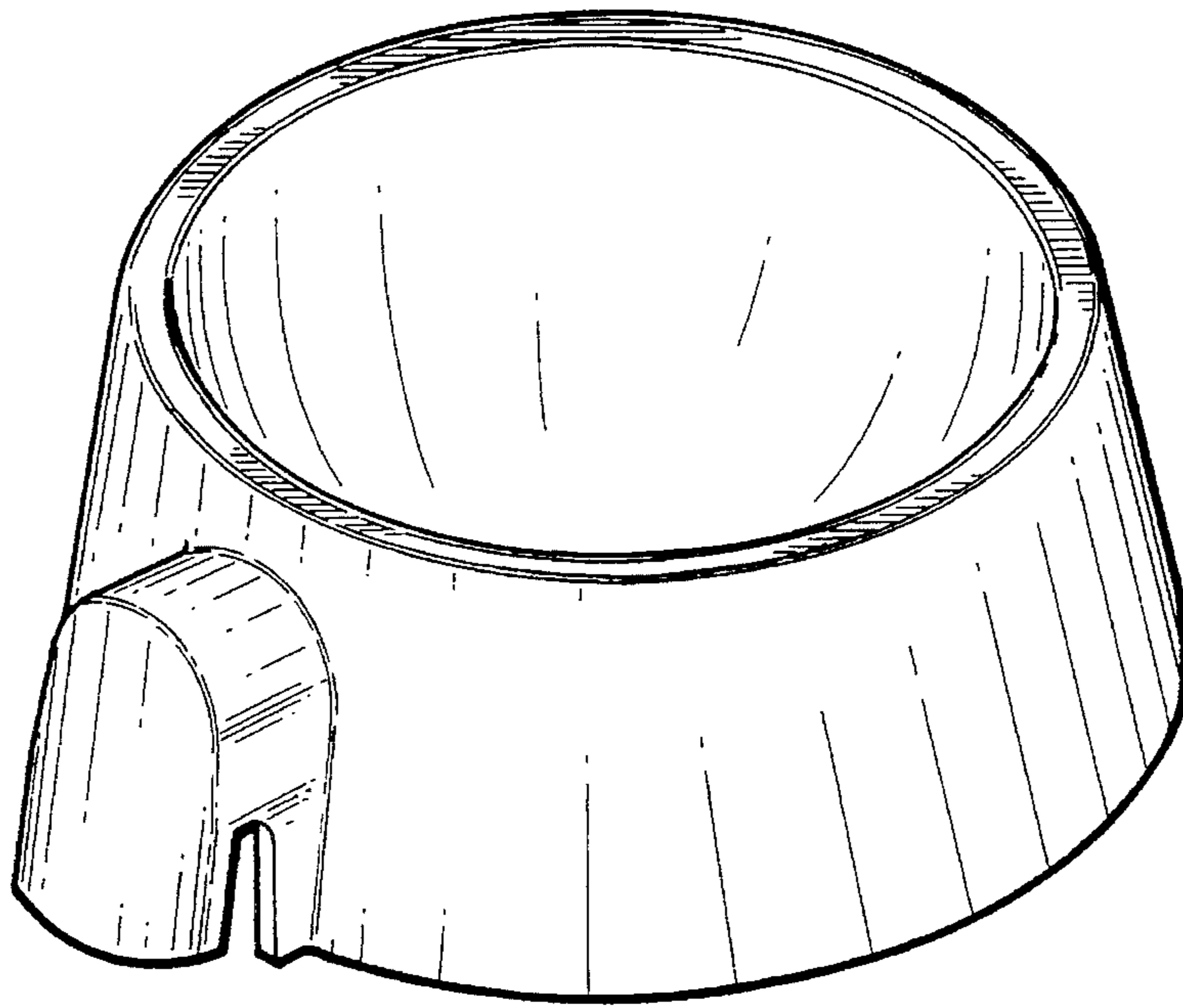


FIG. 1

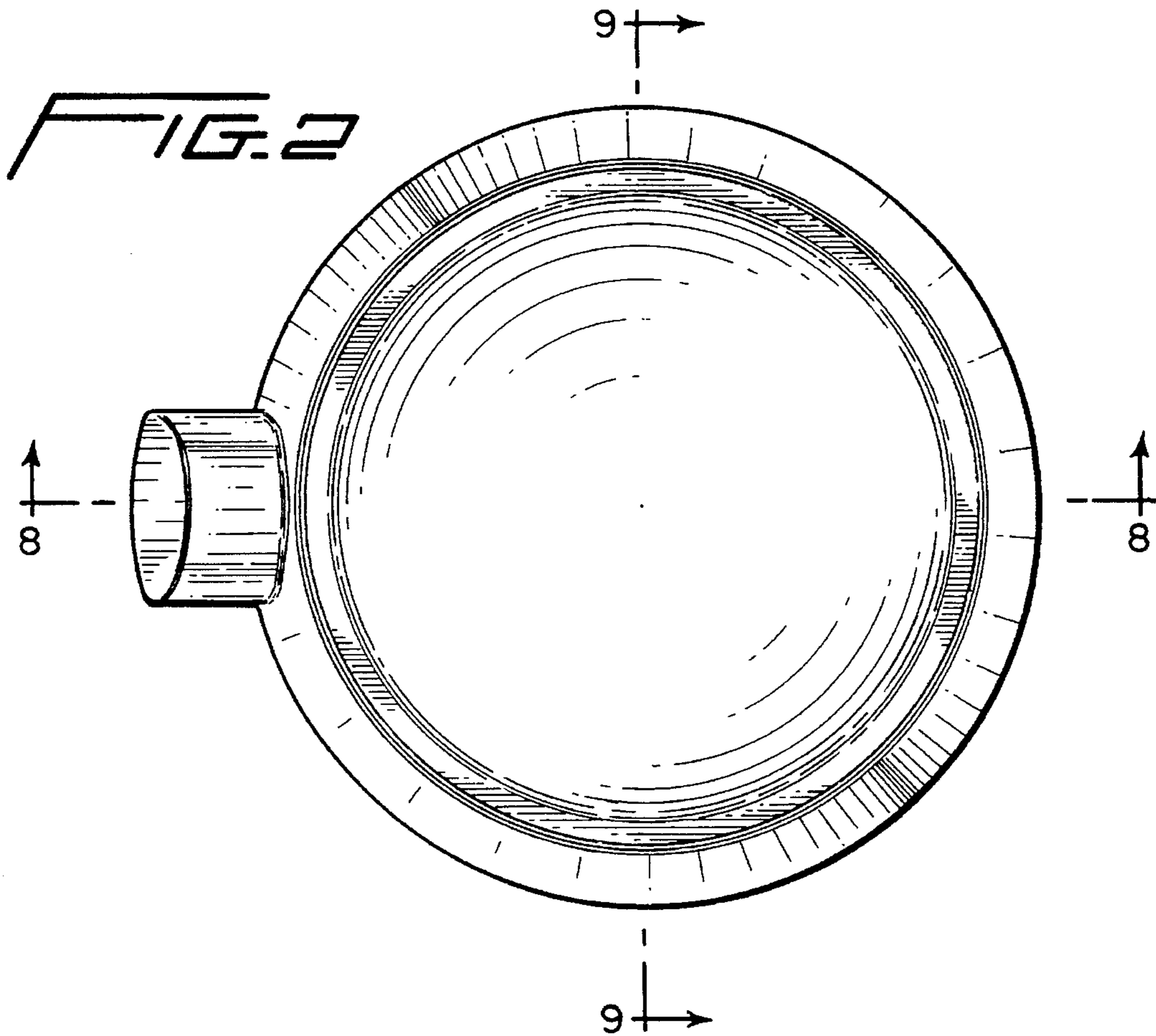


FIG. 2

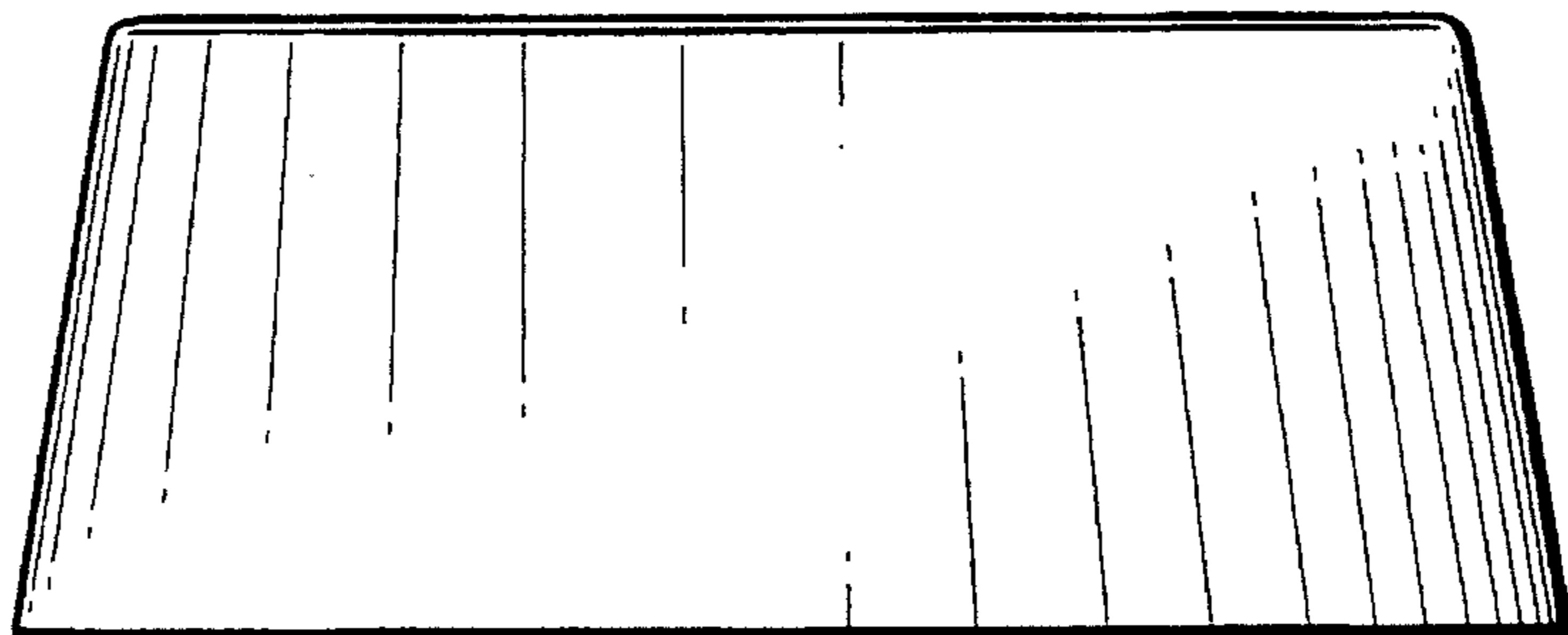
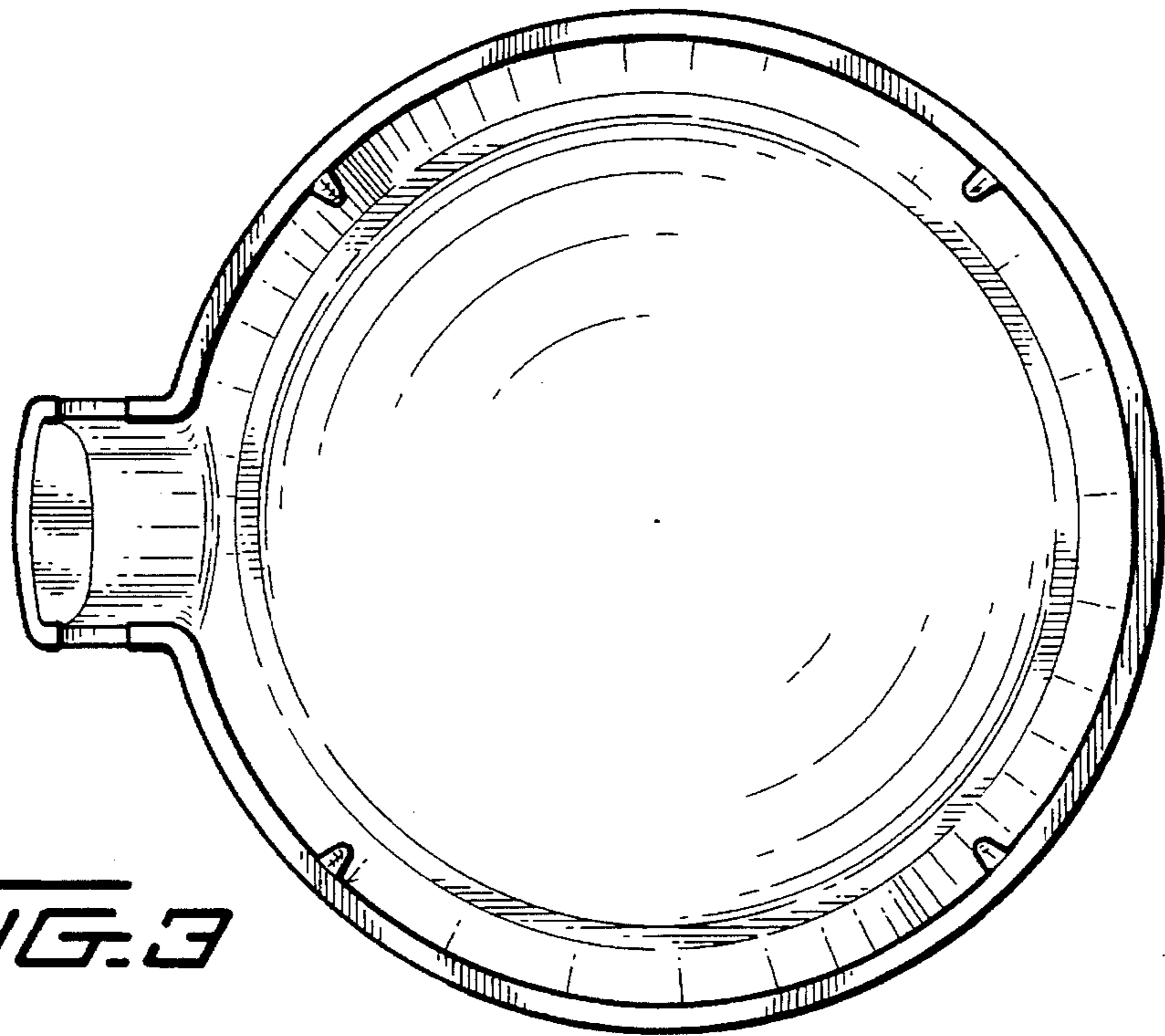


FIG. 4

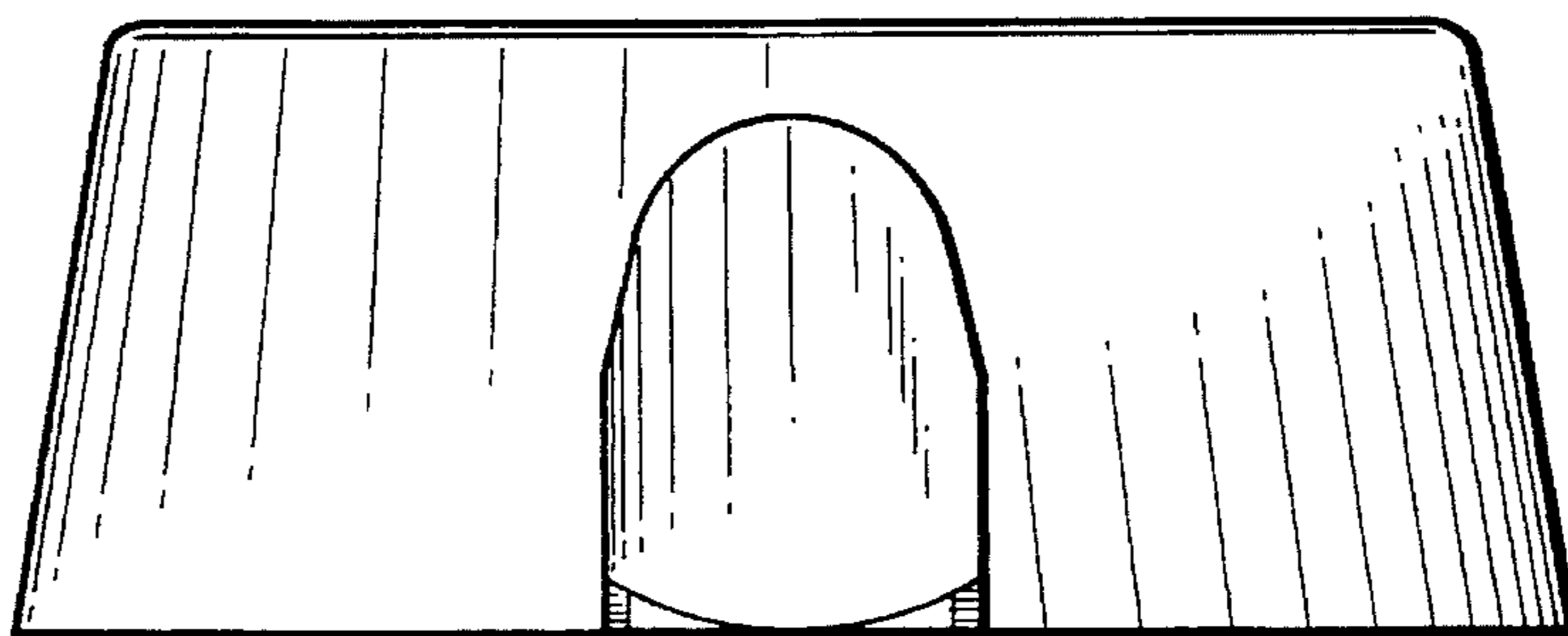


FIG. 5

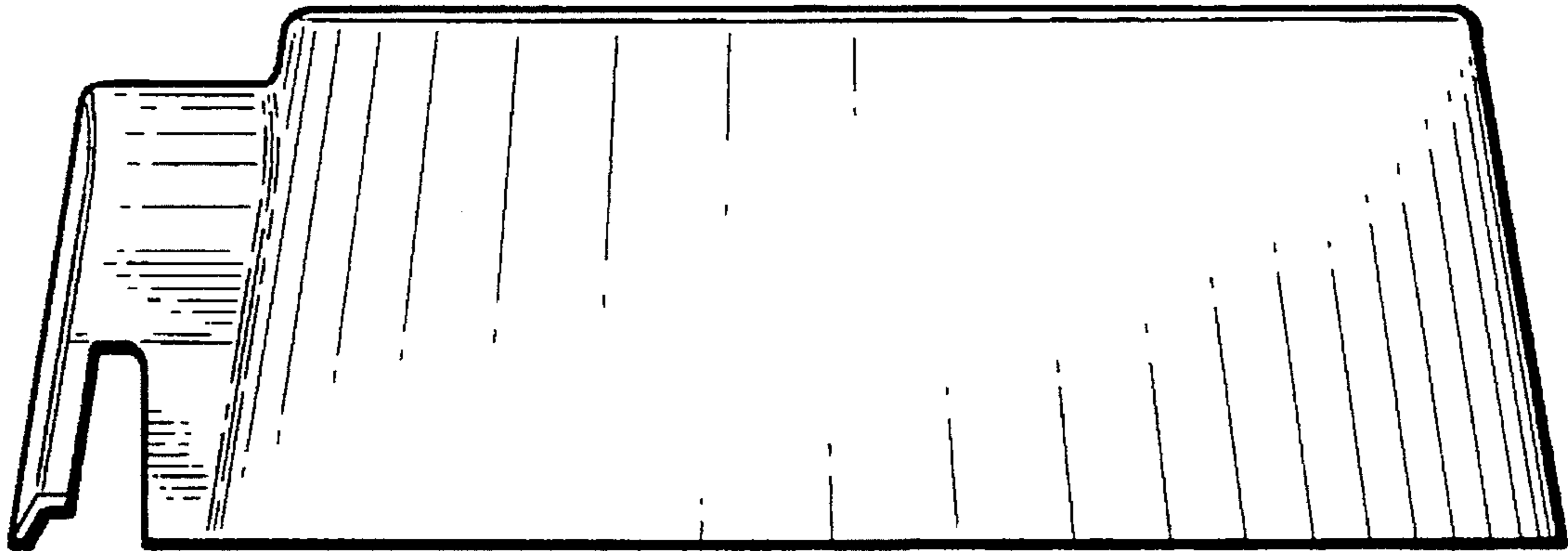


FIG. 6

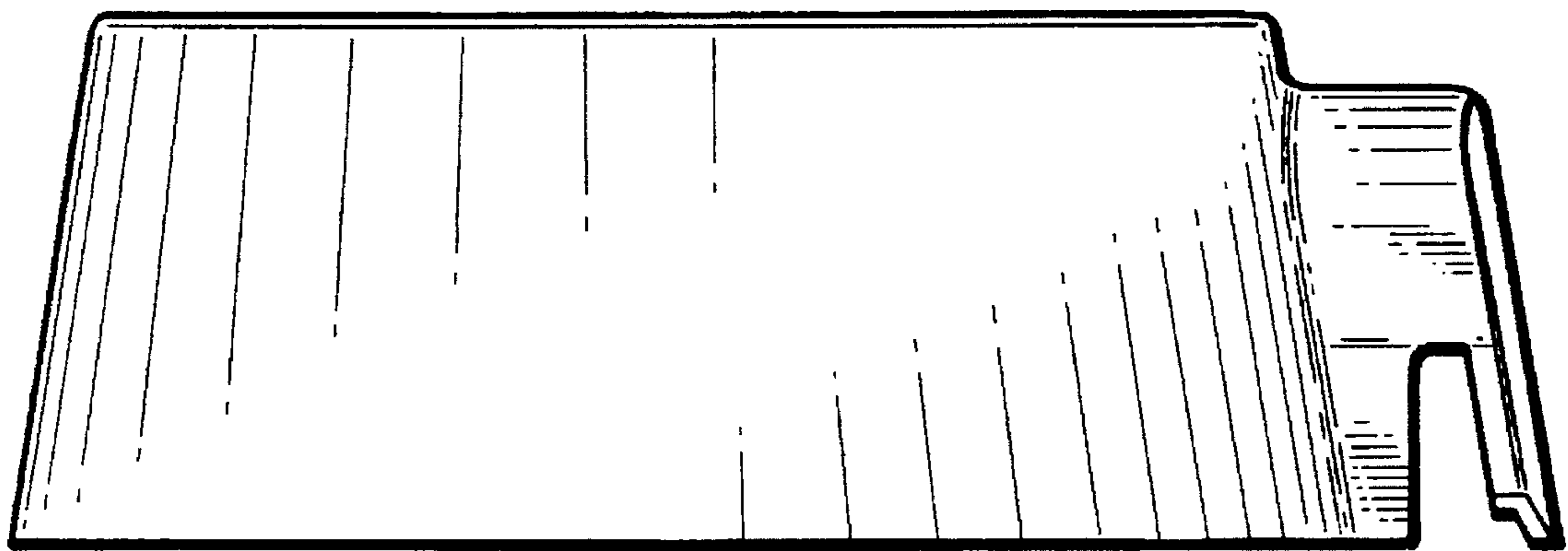


FIG. 7

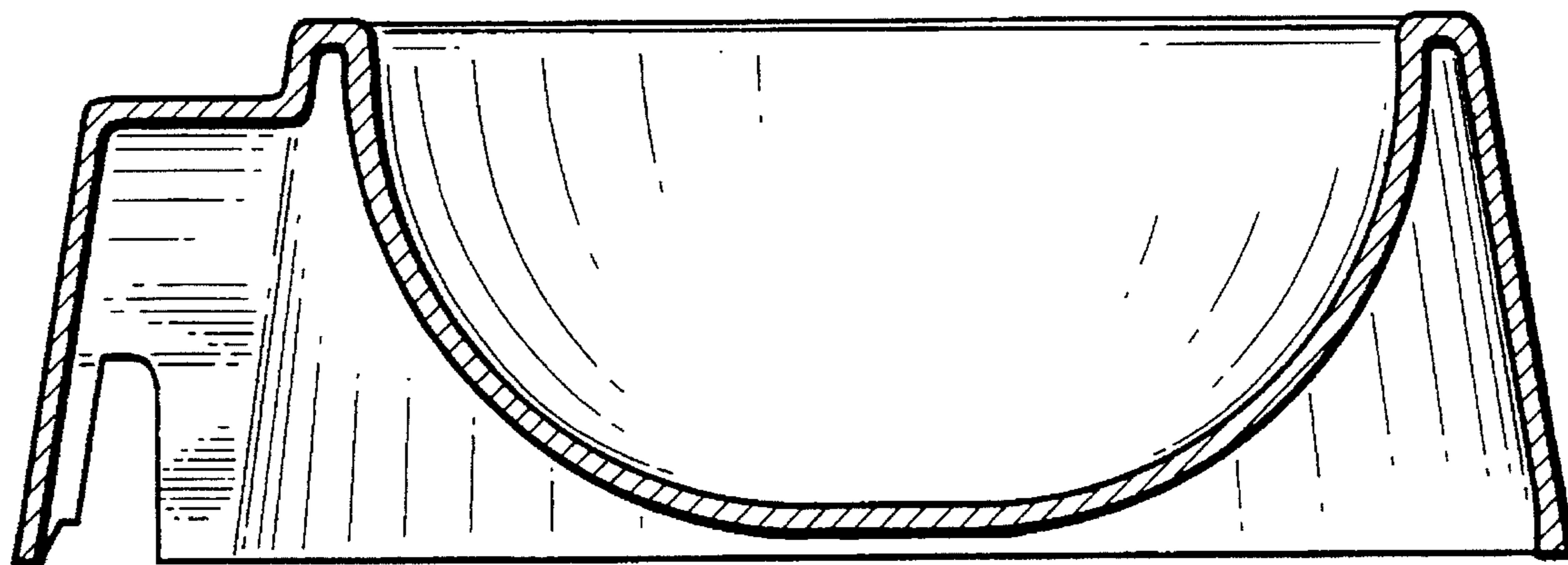


FIG. 8

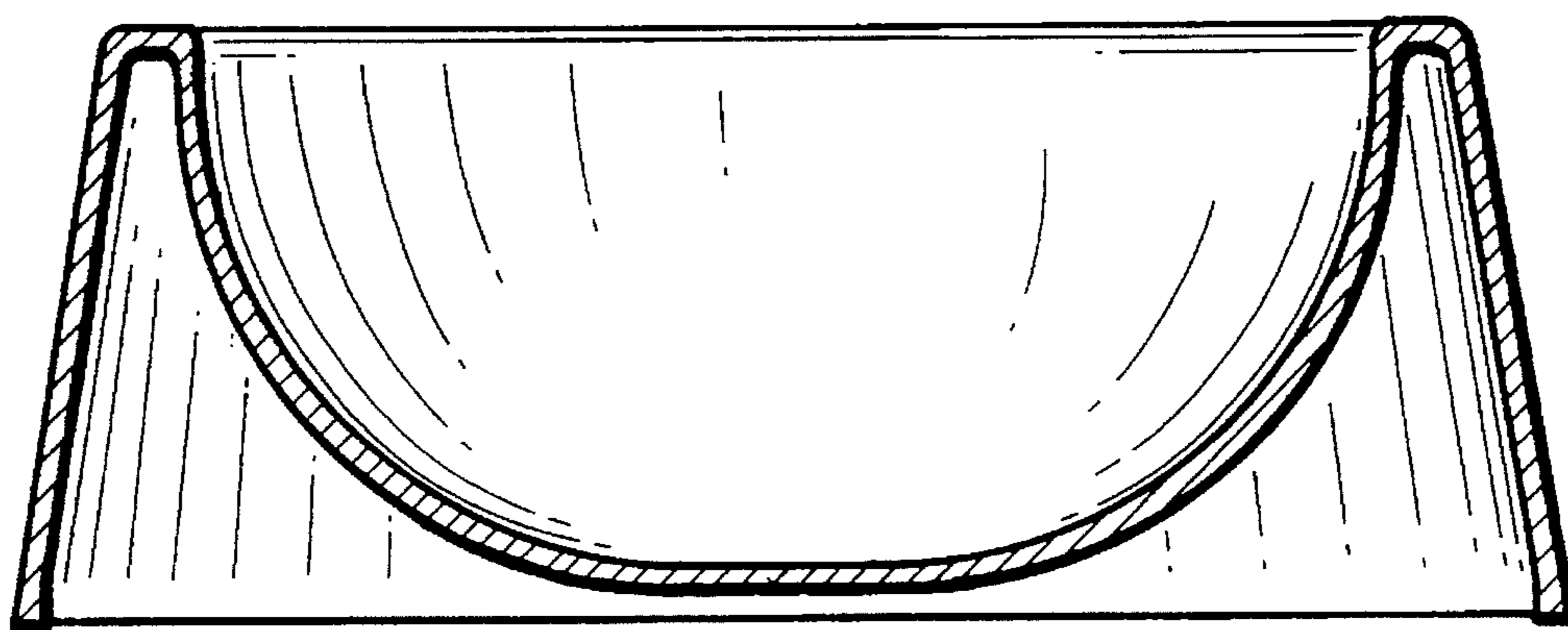


FIG. 9