



US00D370746S

United States Patent [19] Gordon

[11] Patent Number: Des. 370,746

[45] Date of Patent: **Jun. 11, 1996

[54] NESTING BOX

[76] Inventor: **Richard A. Gordon**, 93 W. 3rd St., Freeport, N.Y. 11520

[**] Term: 14 Years

[21] Appl. No.: 35,769

[22] Filed: Mar. 6, 1995

[52] U.S. Cl. D30/110

[58] Field of Search D30/110-111,
D30/124-128; 119/23, 52.2, 52.3, 57.8-57.9,
19

Flower and Garden Catalog; #FGN 3242 Christmas Blue-bird House.

Foreign Publication—Name unknown; Bird House (top page).

Primary Examiner—Cathy Anne MacCormac
Attorney, Agent, or Firm—Bauer & Schaffer

[57] CLAIM

The ornamental design for the nesting box, as shown.

DESCRIPTION

FIG. 1 is a perspective view of the nesting box embodying the present invention;

FIG. 2 is a front elevational view of the nesting box shown in FIG. 1;

FIG. 3 is a rear elevational view of the nesting box shown in FIG. 1;

FIG. 4 is a side elevational view of the nesting box shown in FIG. 1, the opposite side being identical thereto;

FIG. 5 is a top plan view of the nesting box shown in FIG. 1; and,

FIG. 6 is a bottom plan view of the nesting box shown in FIG. 1.

The broken lines on FIG. 1, 4, 5 and 6 are for purposes of illustration only and form no part of the claimed design.

[56] References Cited

U.S. PATENT DOCUMENTS

D. 358,907	5/1995	Spivey	D30/110
3,985,102	10/1976	Yonezawa	119/19
4,167,917	9/1979	Noll	119/23
5,228,410	7/1993	Parker	119/23

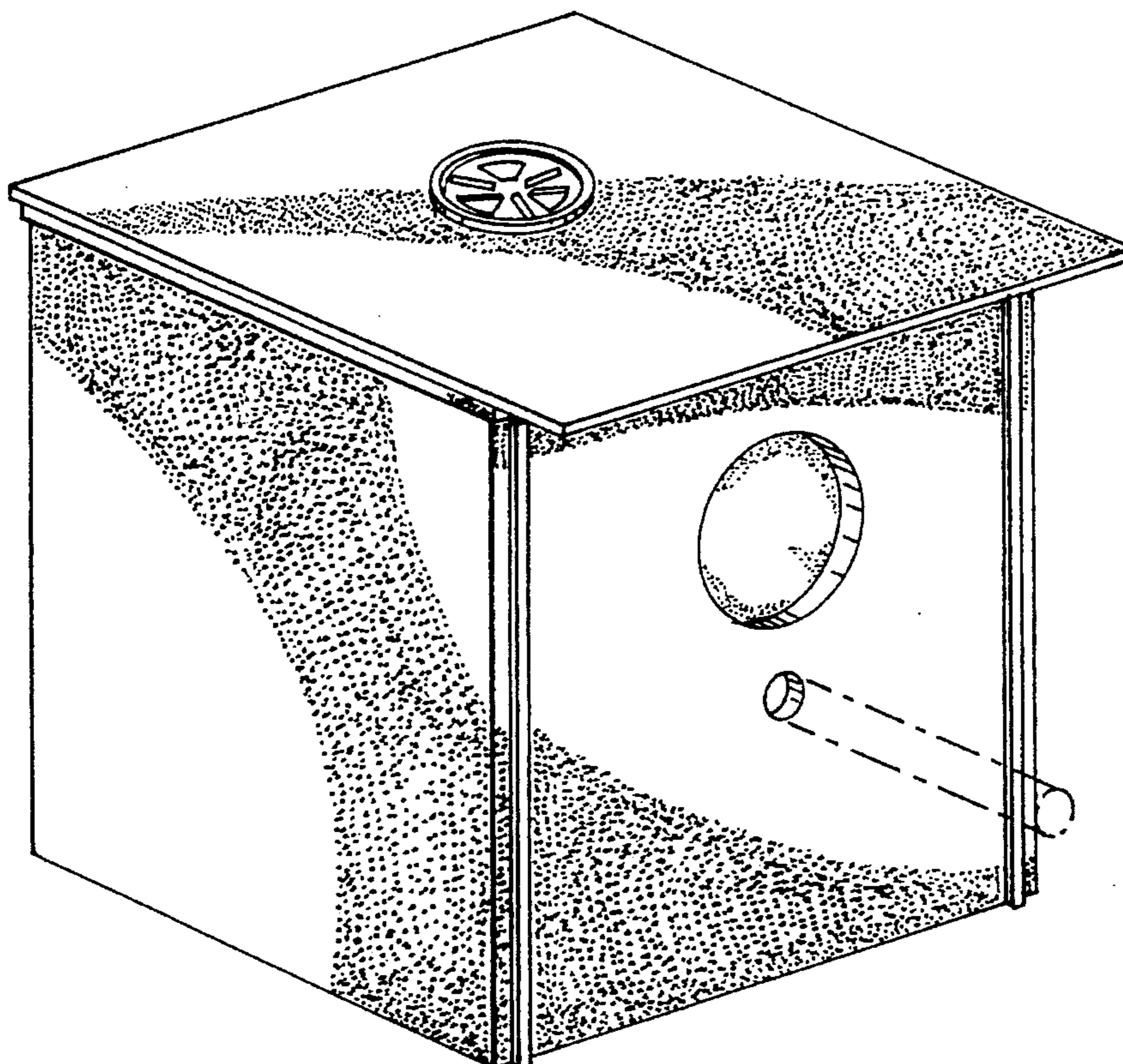
FOREIGN PATENT DOCUMENTS

35414	1/1906	Switzerland	119/23
134872	9/1929	Switzerland	119/23
516266	12/1939	United Kingdom	119/23
2054523	2/1981	United Kingdom	119/23

OTHER PUBLICATIONS

Heath Manufacturing Company Catalog; 1989; B-2 Blue-bird House.
How To Make It Book Of Crafts—Sprague; ©1941; p. 85; Tufted Titmouse Bird House.

1 Claim, 2 Drawing Sheets



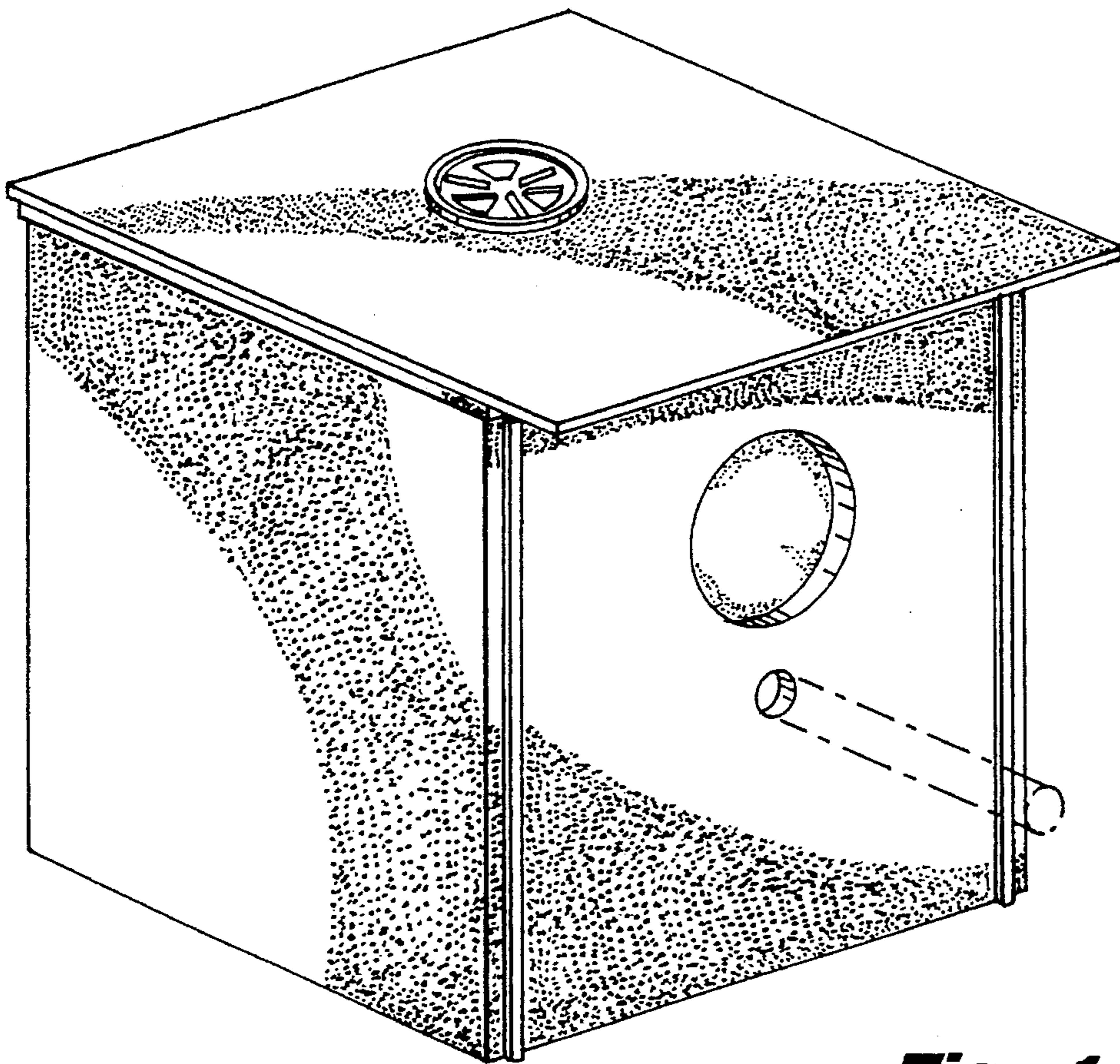


Fig. 1

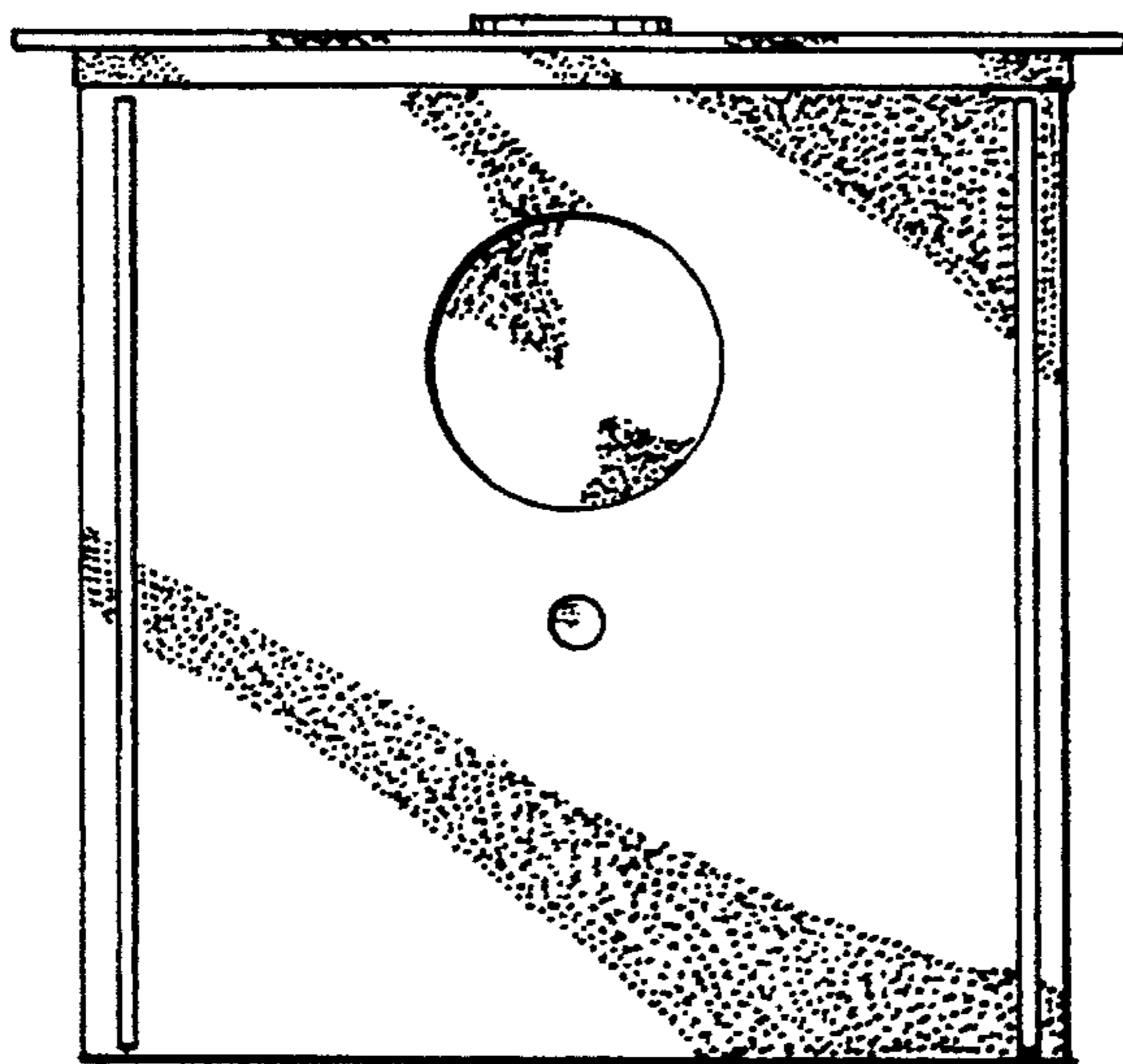


Fig. 2

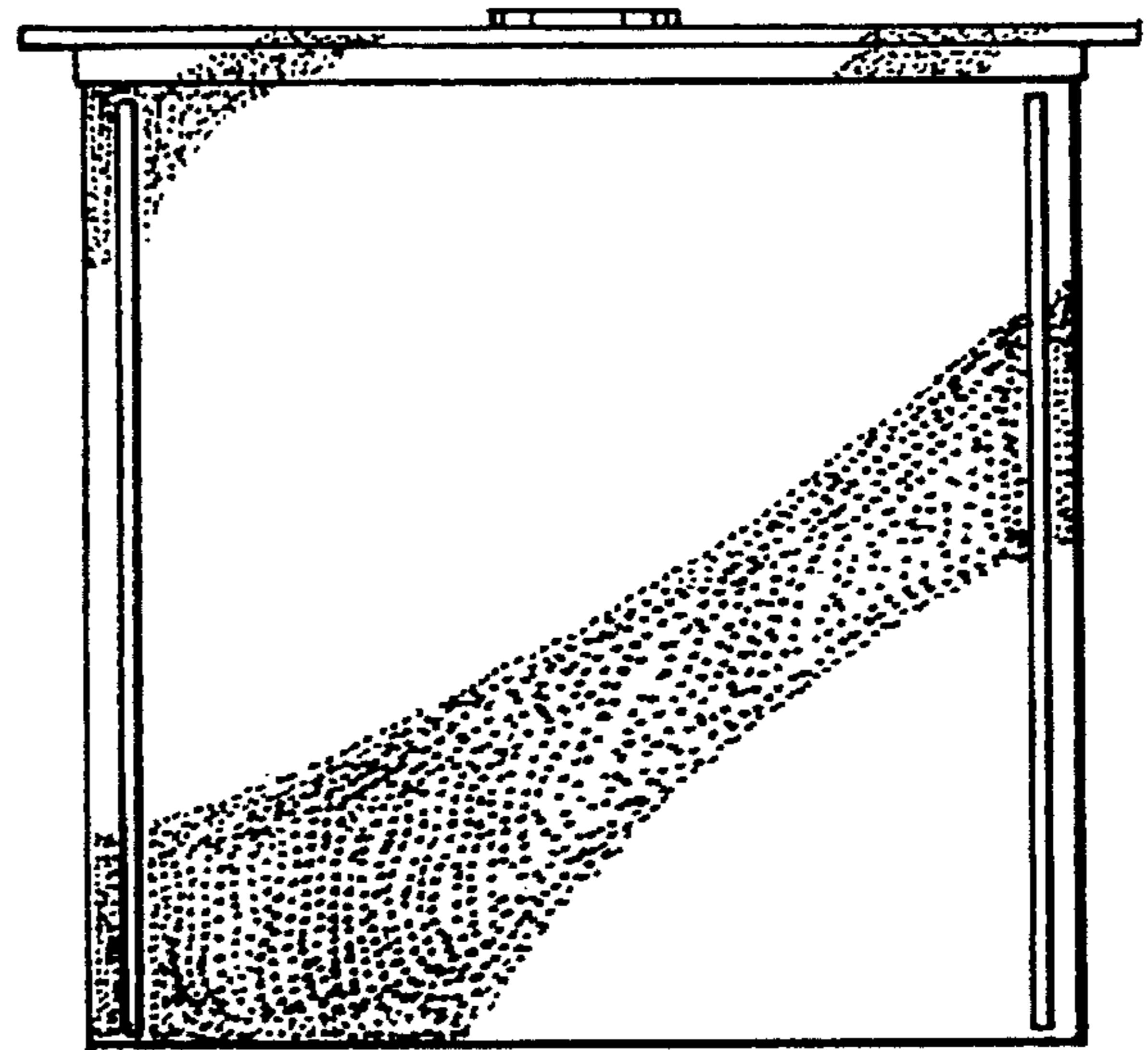


Fig. 3

Fig. 4

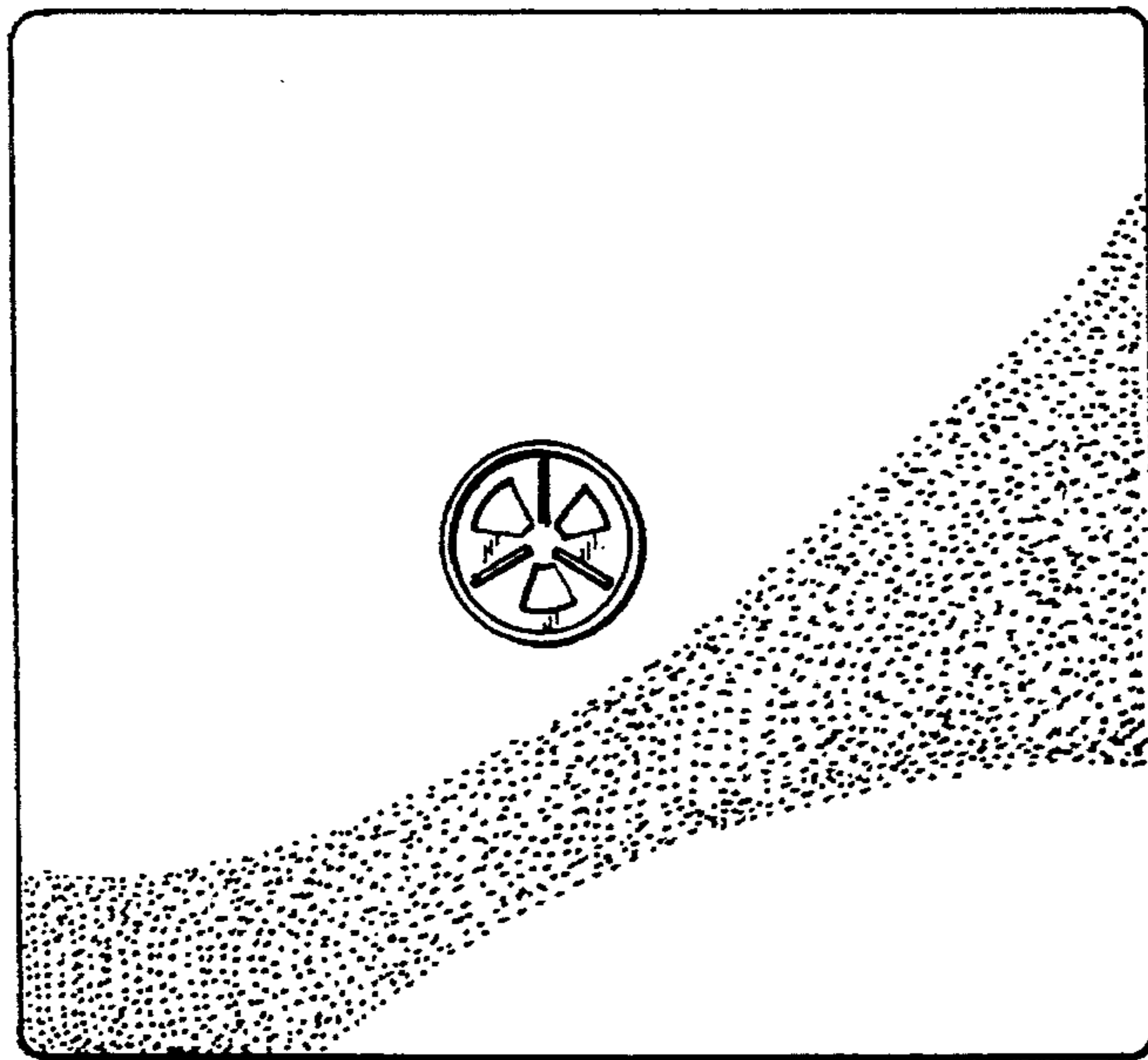
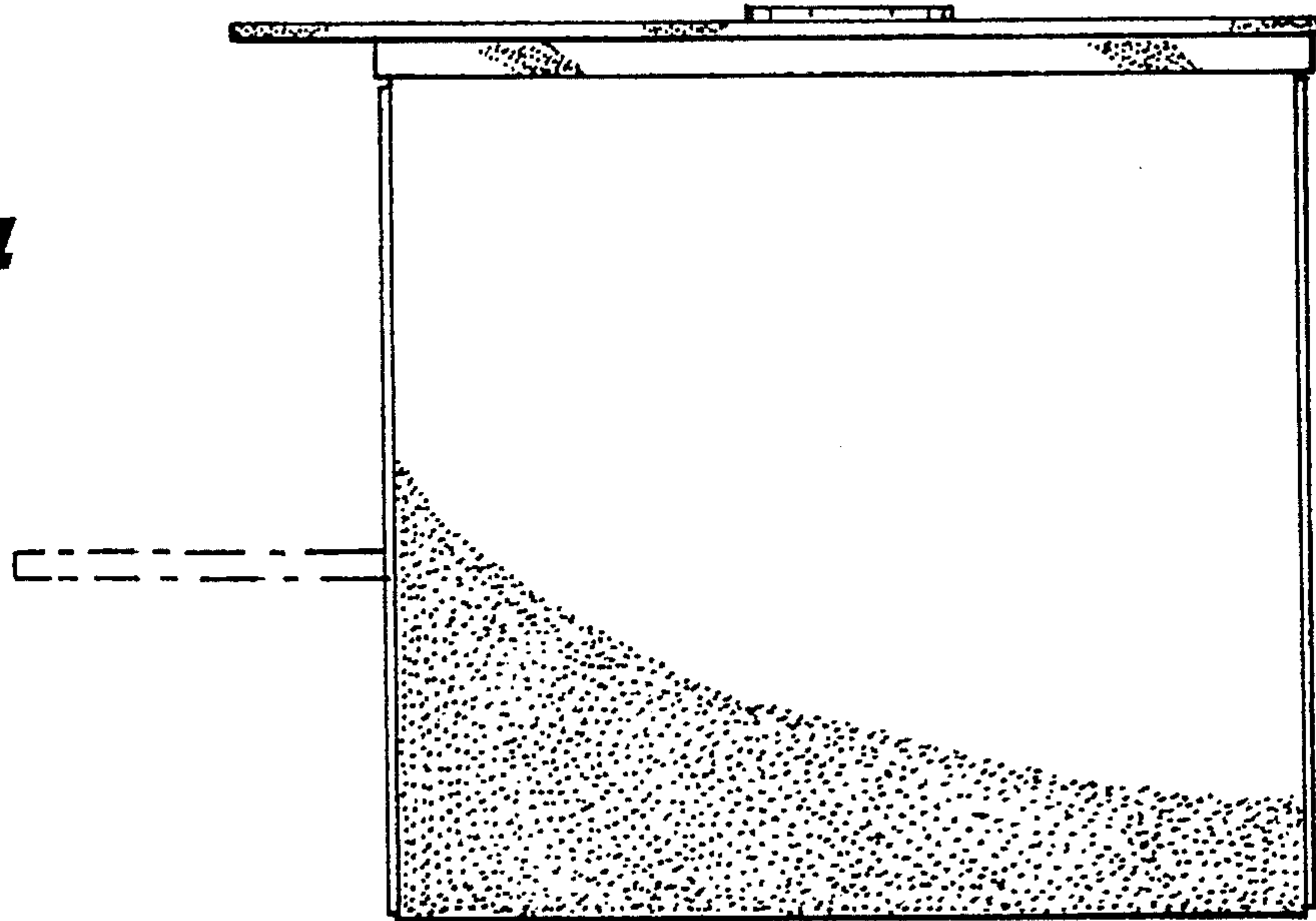


Fig. 5

Fig. 6

