



US00D370744S

United States Patent [19]

[11] Patent Number: **Des. 370,744**

Roberson et al.

[45] Date of Patent: ****Jun. 11, 1996**

[54] **COMBINATION VEST, HARNESS, AND DETACHABLE STRAP**

4,667,624 5/1987 Smith 119/770
5,069,168 12/1991 Roberson et al. 119/770

[76] Inventors: **Linda K. Roberson**, P.O. Box 1569, Candler, N.C. 28715; **Suzanne M. Mc/Millan**, P.O. Box 207, Suwannee, Fla. 32602

Primary Examiner—Celia Murphy
Attorney, Agent, or Firm—William F. Hamrock

[**] Term: **14 Years**

[57] CLAIM

[21] Appl. No.: **25,978**

The ornamental design for a combination vest, harness, and detachable strap, as shown and described.

[22] Filed: **Jul. 15, 1994**

DESCRIPTION

[52] U.S. Cl. **D29/101; D2/829; D2/830**

FIG. 1 is a front elevational view of a combination vest, harness, and detachable strap showing our new design, the broken lines shown in FIGS. 1, 2, and 7 being understood to represent conventional stitching;

[58] **Field of Search** D2/828, 829, 830, D2/835, 838, 853, 854; D29/100, 101; 2/92, 102, 103, 111; 119/770

FIG. 2 is a rear elevational view thereof;
FIG. 3 is a left side elevational view thereof;
FIG. 4 is a right side elevational view thereof;
FIG. 5 is a top plan view thereof;
FIG. 6 is a bottom plan view thereof; and,
FIG. 7 is a perspective view thereof.

[56] References Cited

U.S. PATENT DOCUMENTS

D. 171,257 1/1954 Kairalla D2/829
D. 256,850 9/1980 Donahue D2/829
1,651,561 12/1927 Storey 119/770
2,316,602 4/1943 Lee 2/111

The dashed dotted lines are understood to represent stitching in the fabric.

1 Claim, 4 Drawing Sheets

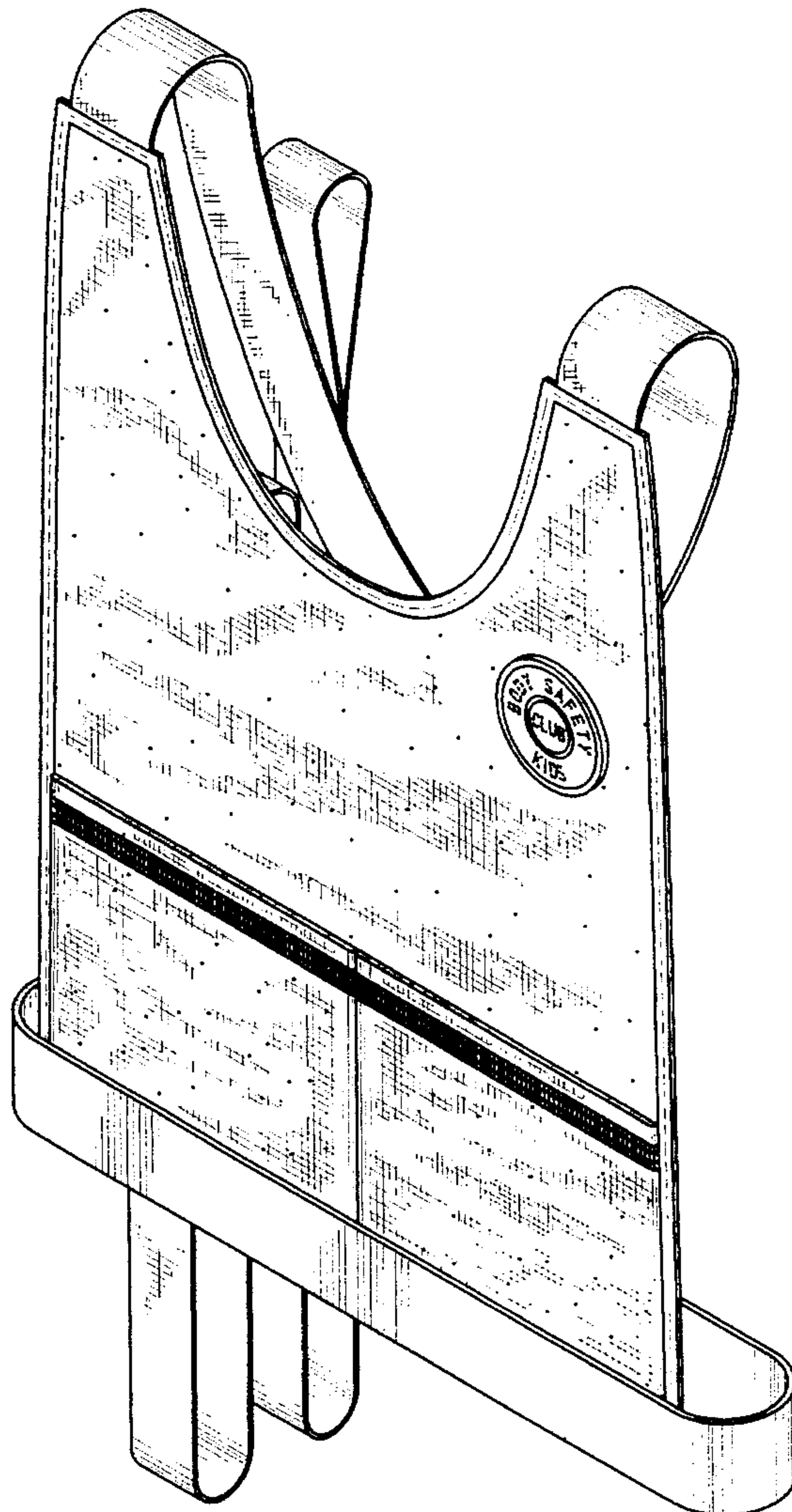


FIG. 1

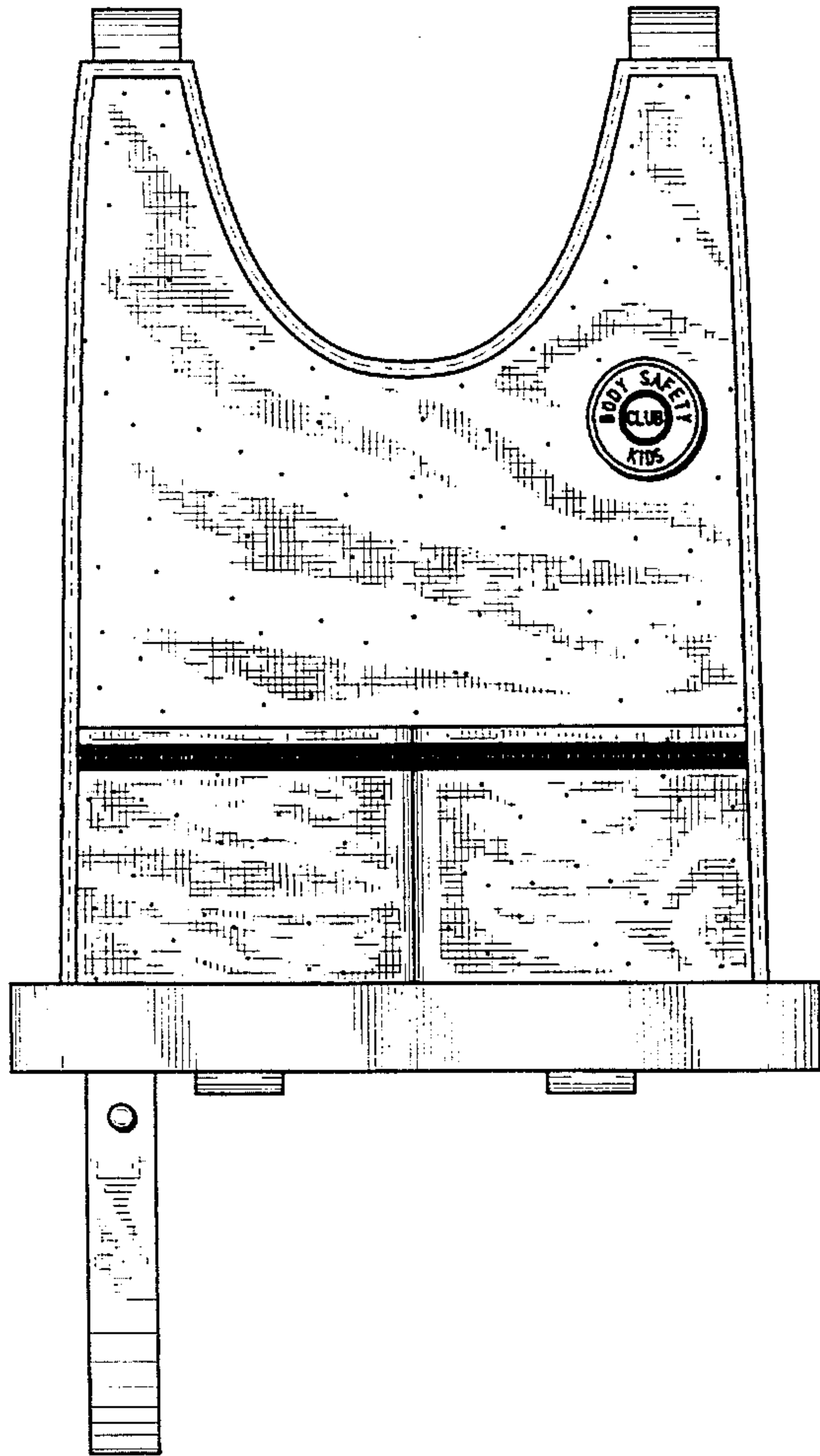


FIG. 2

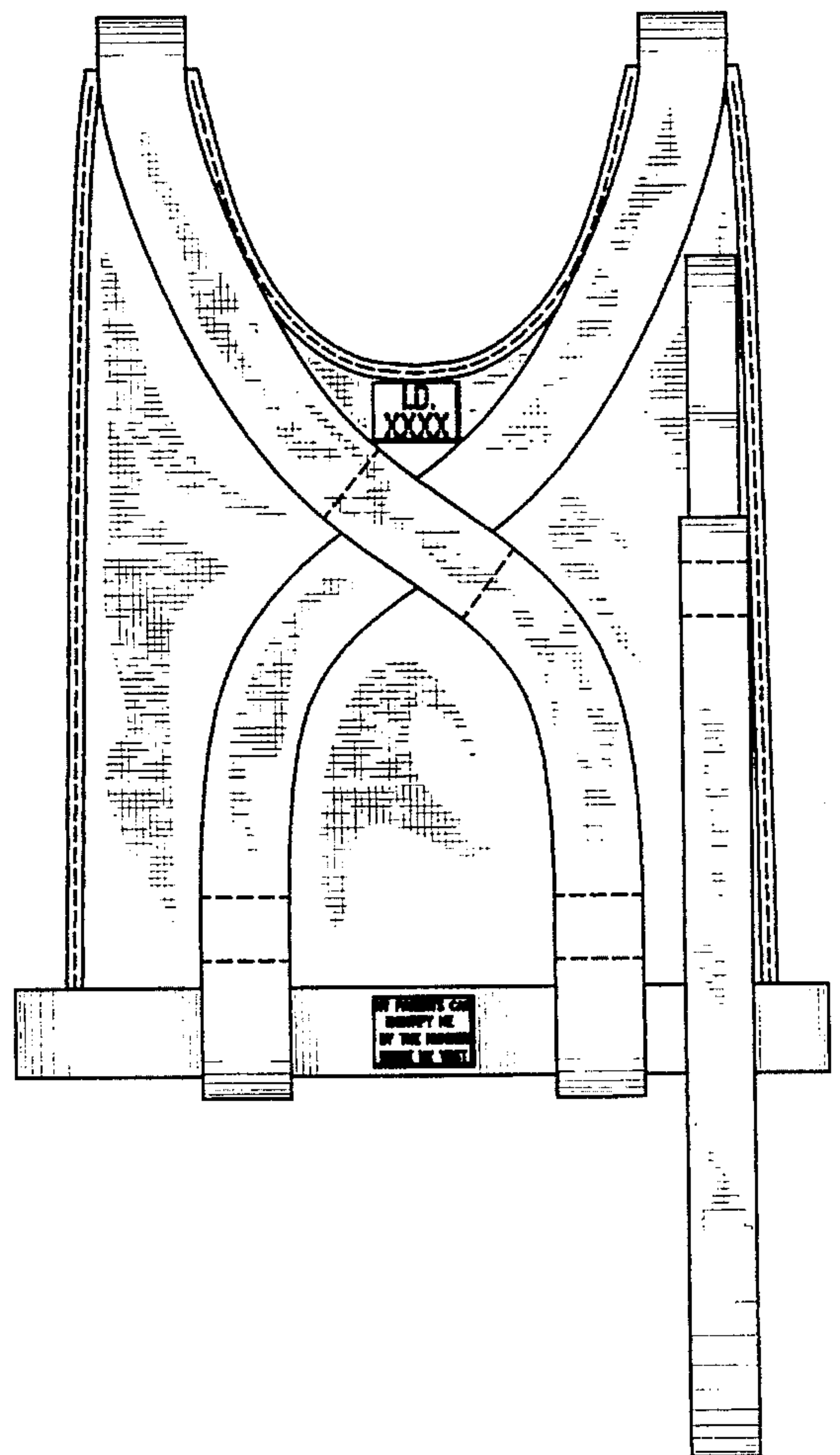


FIG. 3

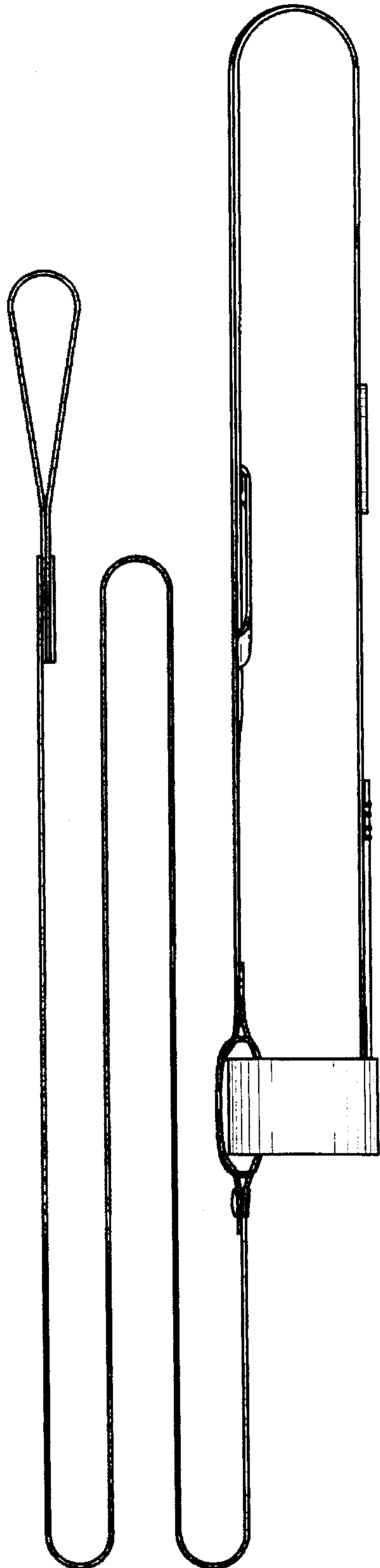


FIG. 4

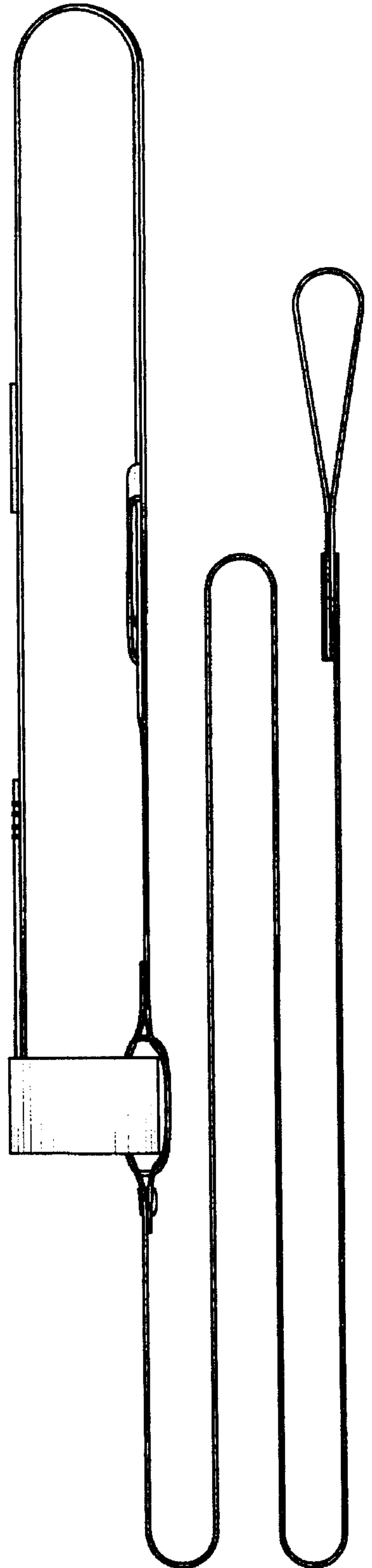


FIG. 5

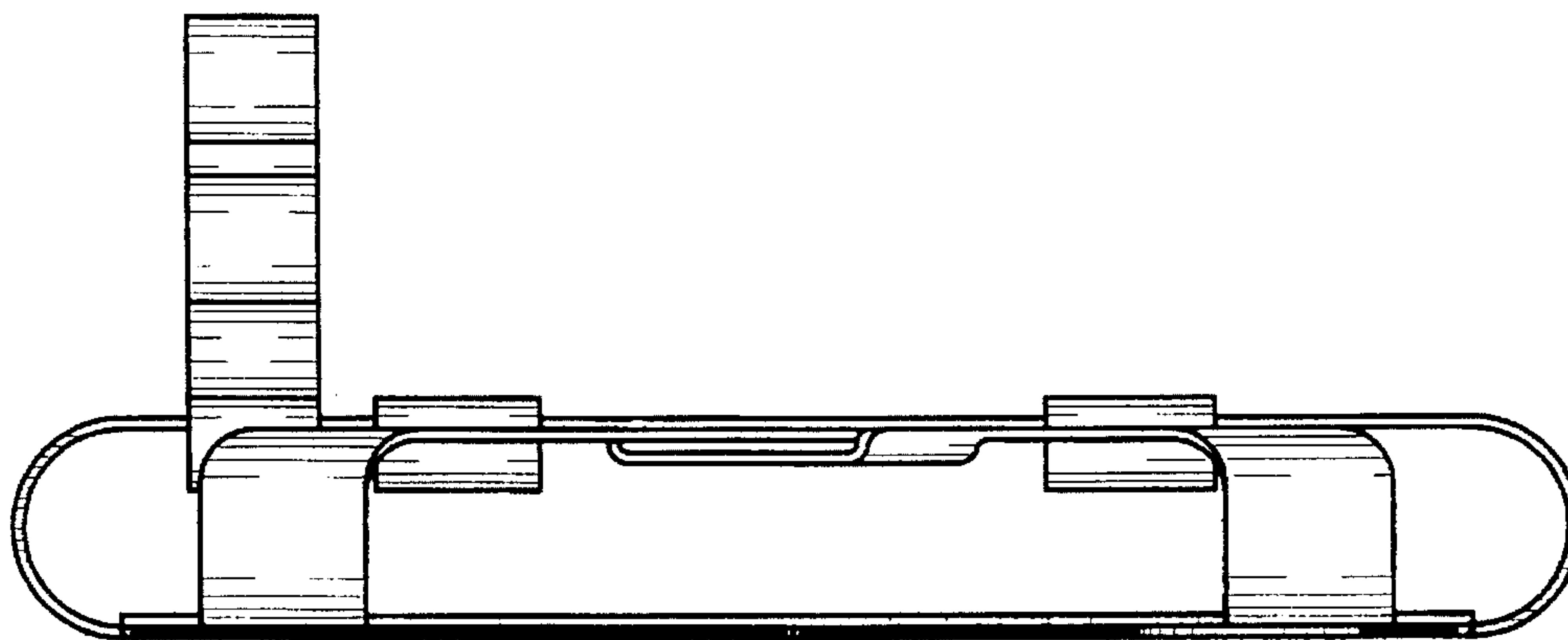
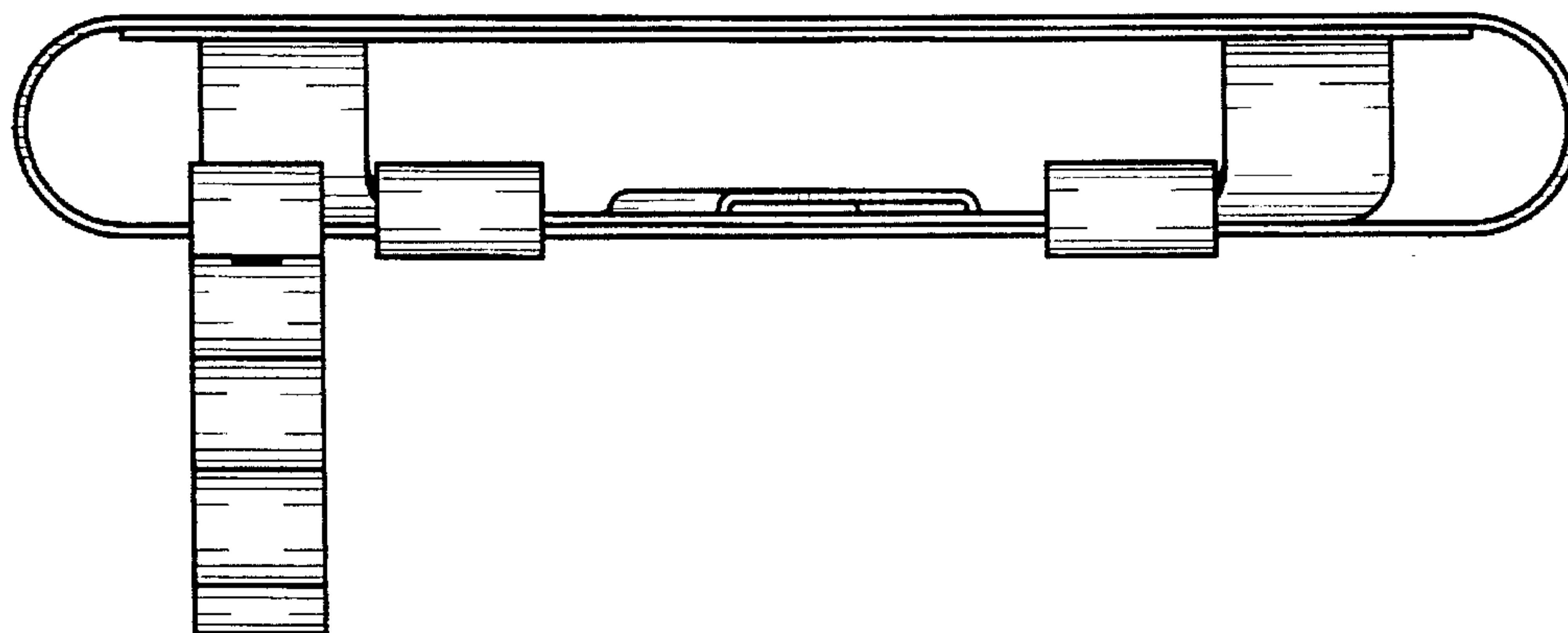


FIG. 6



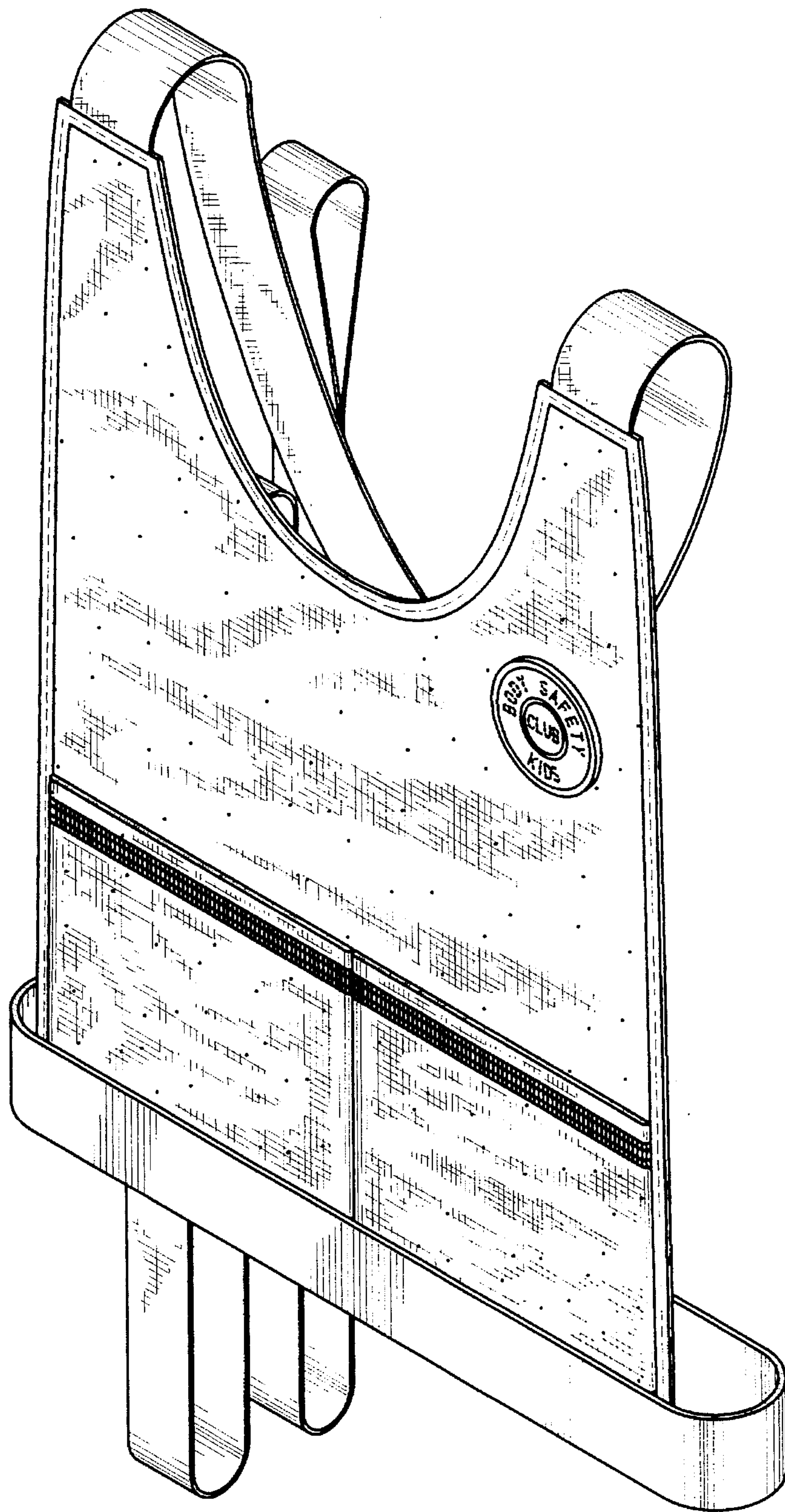


FIG. 7