



US00D370743S

United States Patent [19]

Huie

[11] Patent Number: **Des. 370,743**

[45] Date of Patent: ****Jun. 11, 1996**

[54] **TOOTHPICK**

[75] Inventor: **John Huie**, Alexandria, Australia

[73] Assignee: **Fresh & Green (Chemicals) Pty Ltd.**,
Australia

[**] Term: **14 Years**

958,335	5/1910	Shock	132/328
1,555,111	9/1925	Flowers	132/329
1,581,501	4/1926	Wright	132/329
4,314,574	9/1982	Inerte	132/329
4,570,653	2/1986	Wolf	132/329

Primary Examiner—M. H. Tung
Attorney, Agent, or Firm—Ostrolenk, Faber, Gerb & Soffen

[21] Appl. No.: **35,188**

[22] Filed: **Feb. 22, 1995**

[57] CLAIM

The ornamental design for a toothpick, as shown and described.

[30] Foreign Application Priority Data

DESCRIPTION

Aug. 22, 1994 [AU] Australia 2685/94

[52] **U.S. Cl.** **D28/64**

[58] **Field of Search** D28/64; 132/321-9

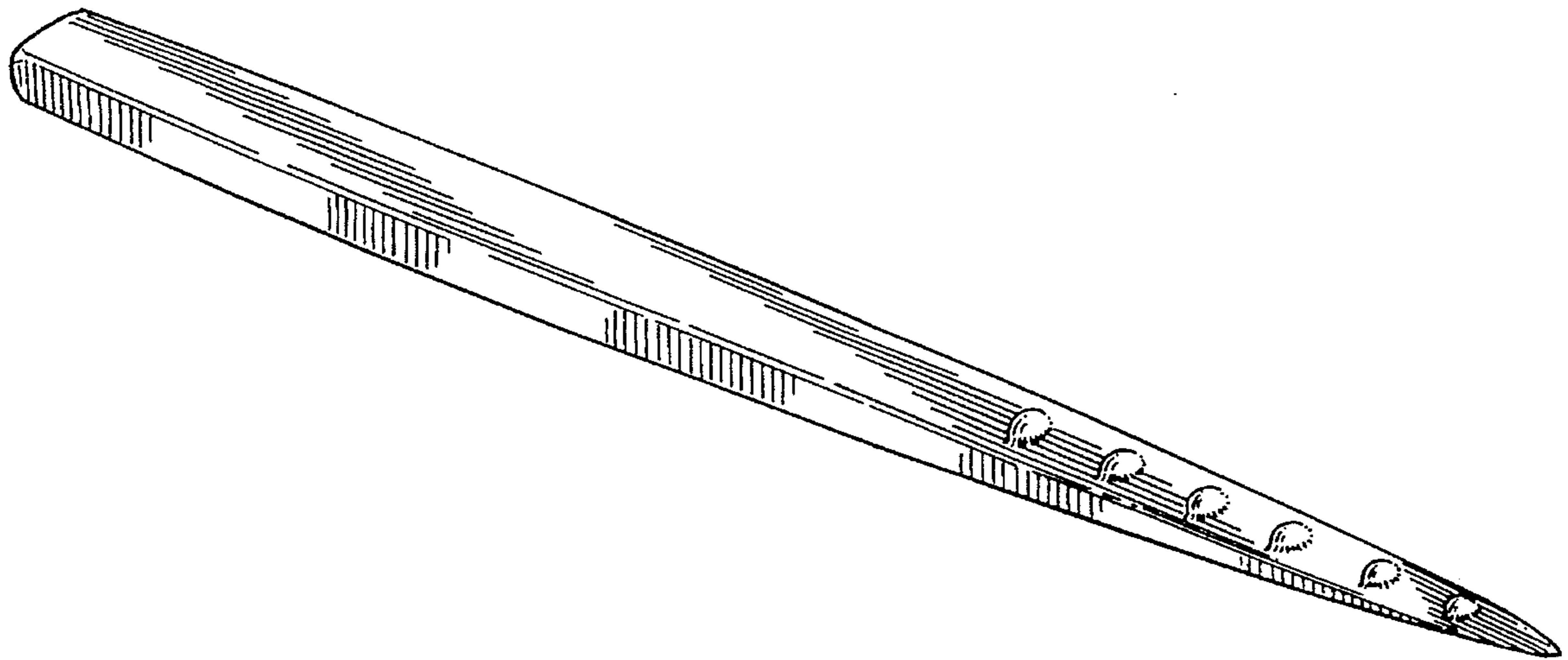
FIG. 1 is a top and right-side perspective view of a toothpick showing my new design;
 FIG. 2 is a top plan view thereof;
 FIG. 3 is a bottom plan view thereof;
 FIG. 4 is a right-side elevational view thereof, the left-side being a mirror image;
 FIG. 5 is a front elevational view thereof; and,
 FIG. 6 is a rear elevational view thereof.

[56] References Cited

U.S. PATENT DOCUMENTS

D. 301,072	5/1989	Ross, Jr.	D28/64
D. 309,803	8/1990	Porter	D28/64
D. 335,934	5/1993	Howard	D28/64

1 Claim, 1 Drawing Sheet



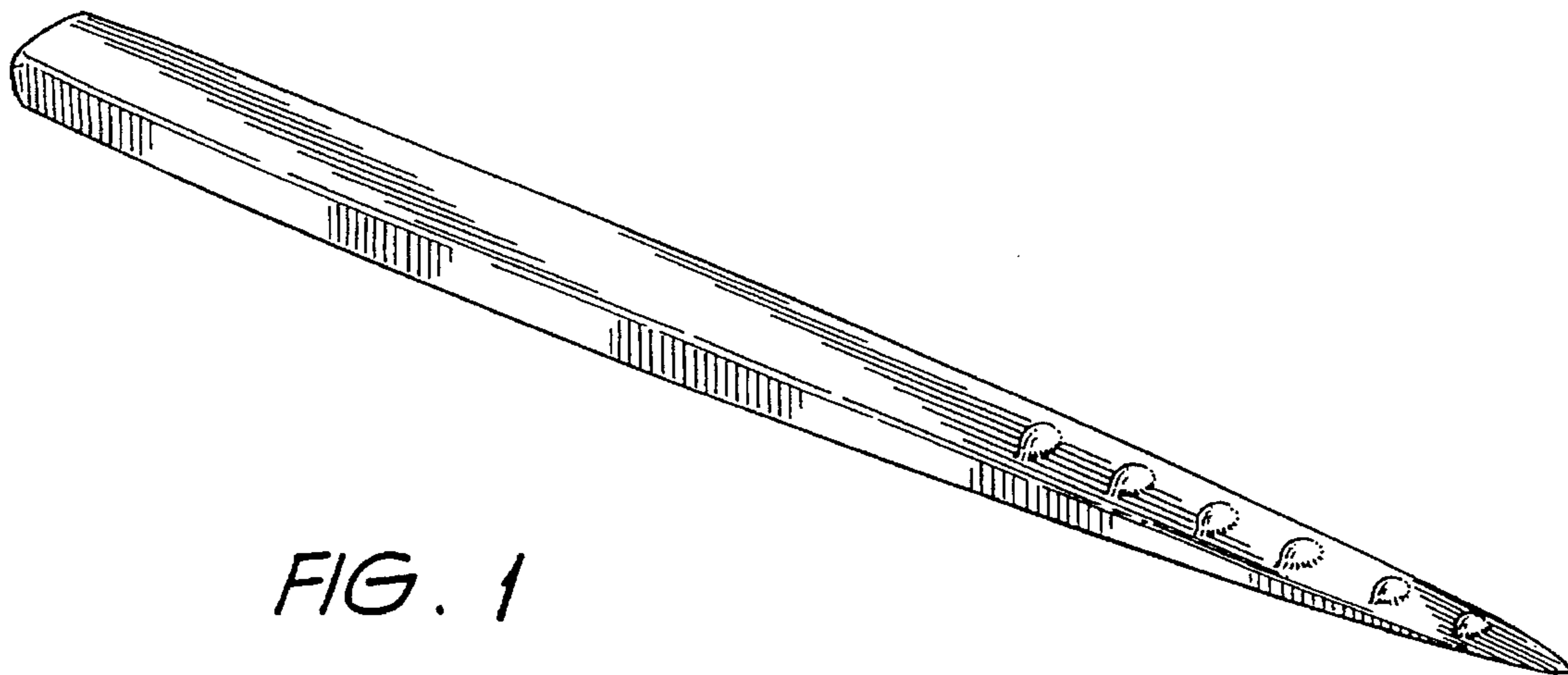


FIG. 1

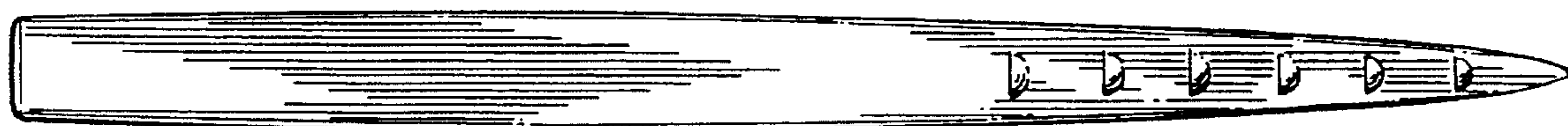


FIG. 2

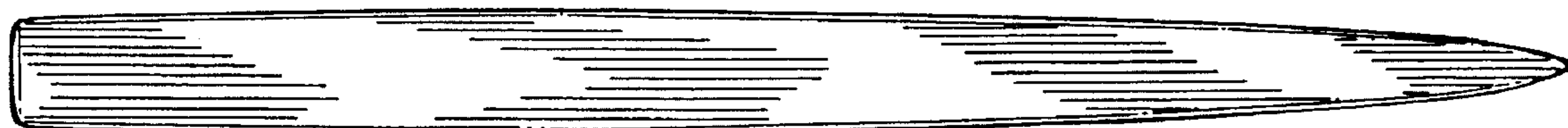


FIG. 3

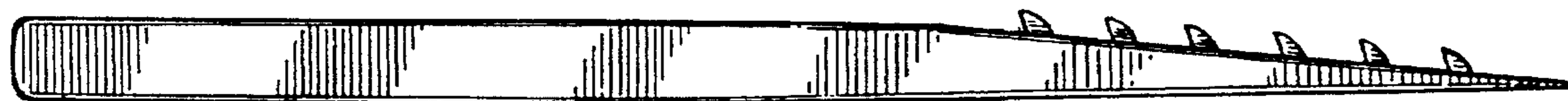


FIG. 4



FIG. 5



FIG. 6