



US00D370742S

# United States Patent [19] Chase

[11] Patent Number: **Des. 370,742**

[45] Date of Patent: **\*\*Jun. 11, 1996**

[54] **MATERNITY RAZOR**

5,107,590 4/1992 Burout, III et al. .... 30/85  
5,167,069 12/1992 Quinn ..... 30/89

[76] Inventor: **Kellie J. Chase**, 22 Oaklawn Dr.,  
Ocean Springs, Miss. 39564

*Primary Examiner*—Ted Shooman  
*Assistant Examiner*—C. Tuttle

[\*\*] Term: **14 Years**

[57] **CLAIM**

[21] Appl. No.: **17,392**

The ornamental design for a maternity razor, as shown and described.

[22] Filed: **Jan. 12, 1994**

[52] U.S. Cl. .... **D28/46**

**DESCRIPTION**

[58] Field of Search ..... D28/44-48; 30/32,  
30/34.05, 47-51, 58, 85, 87, 89

FIG. 1 is a front elevational view of the maternity razor showing my new design;  
FIG. 2 is a rear elevational view thereof;  
FIG. 3 is a left side elevational view thereof;  
FIG. 4 is a right side elevational view thereof;  
FIG. 5 is a top plan view thereof;  
FIG. 6 is a bottom plan view thereof; and  
FIG. 7 is a front and top left perspective view thereof; and,  
FIG. 8 is a rear and top right perspective view thereof.

[56] **References Cited**

**U.S. PATENT DOCUMENTS**

D. 258,016	1/1981	Pace	.....	D28/46
D. 310,428	9/1990	Gerardiello	.....	D28/48
816,141	3/1906	Wiesenfeld	.....	30/86 X
2,349,252	5/1944	Douglass	.....	30/47 X
4,905,372	3/1990	Willis	.....	30/85
4,955,136	9/1990	Diaz-Rivera	.....	30/32
5,050,301	9/1991	Apprille, Jr.	.....	30/87

**1 Claim, 4 Drawing Sheets**

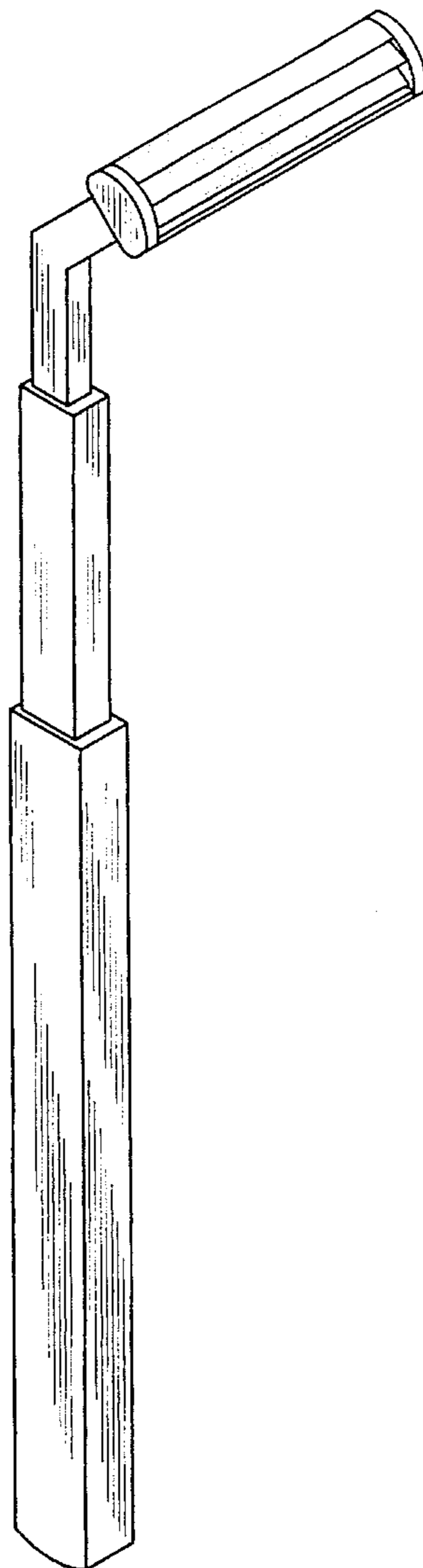


FIG. 1

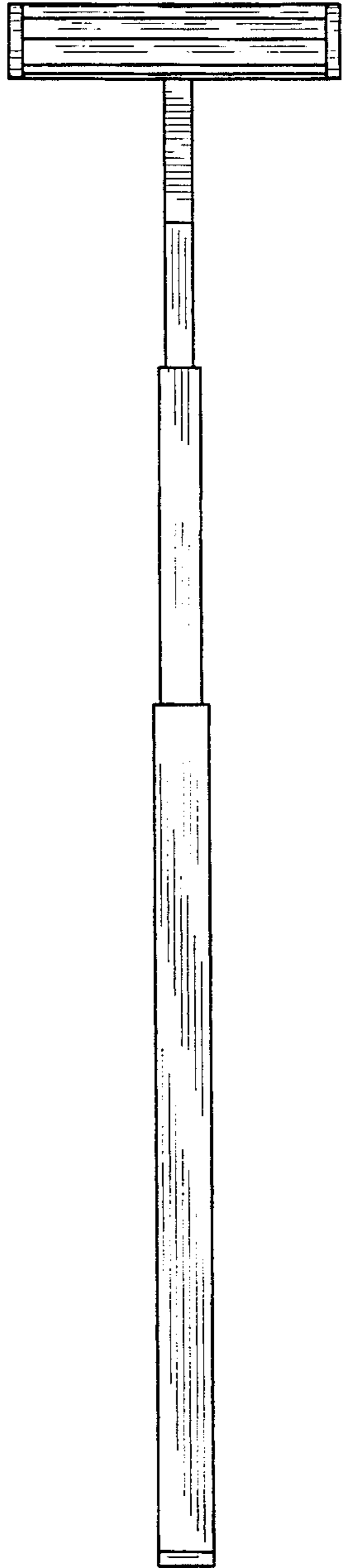
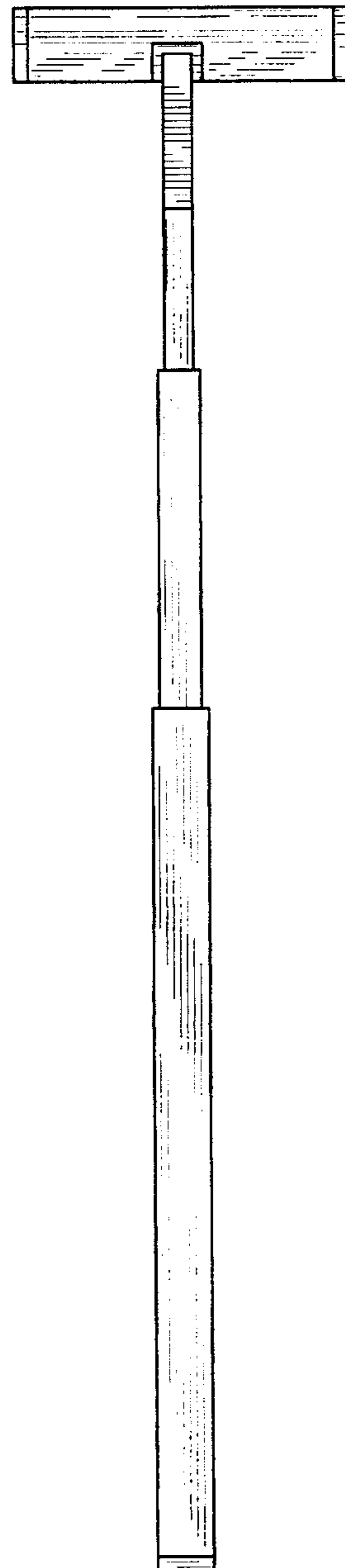
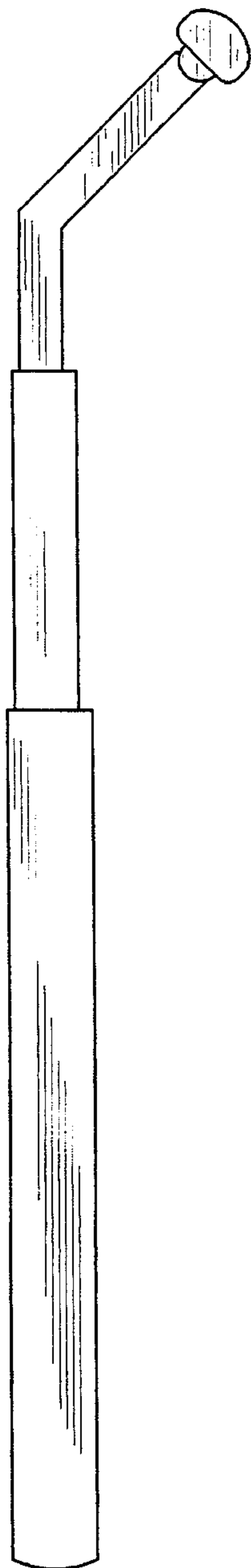


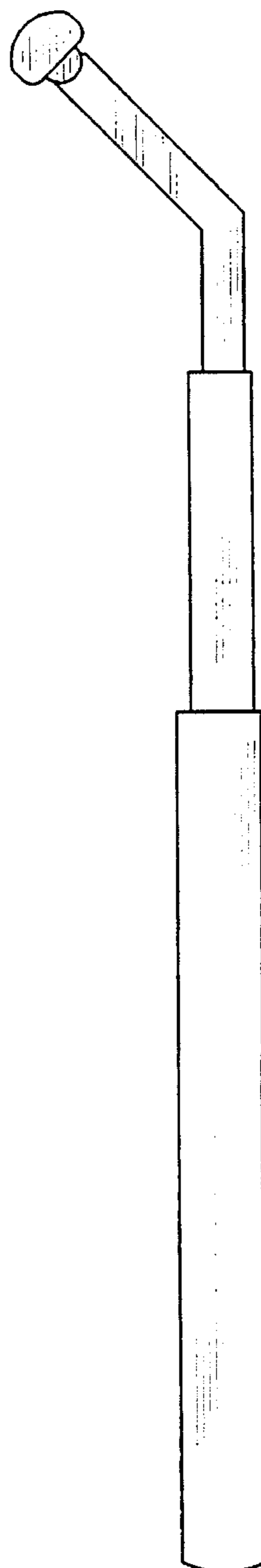
FIG. 2



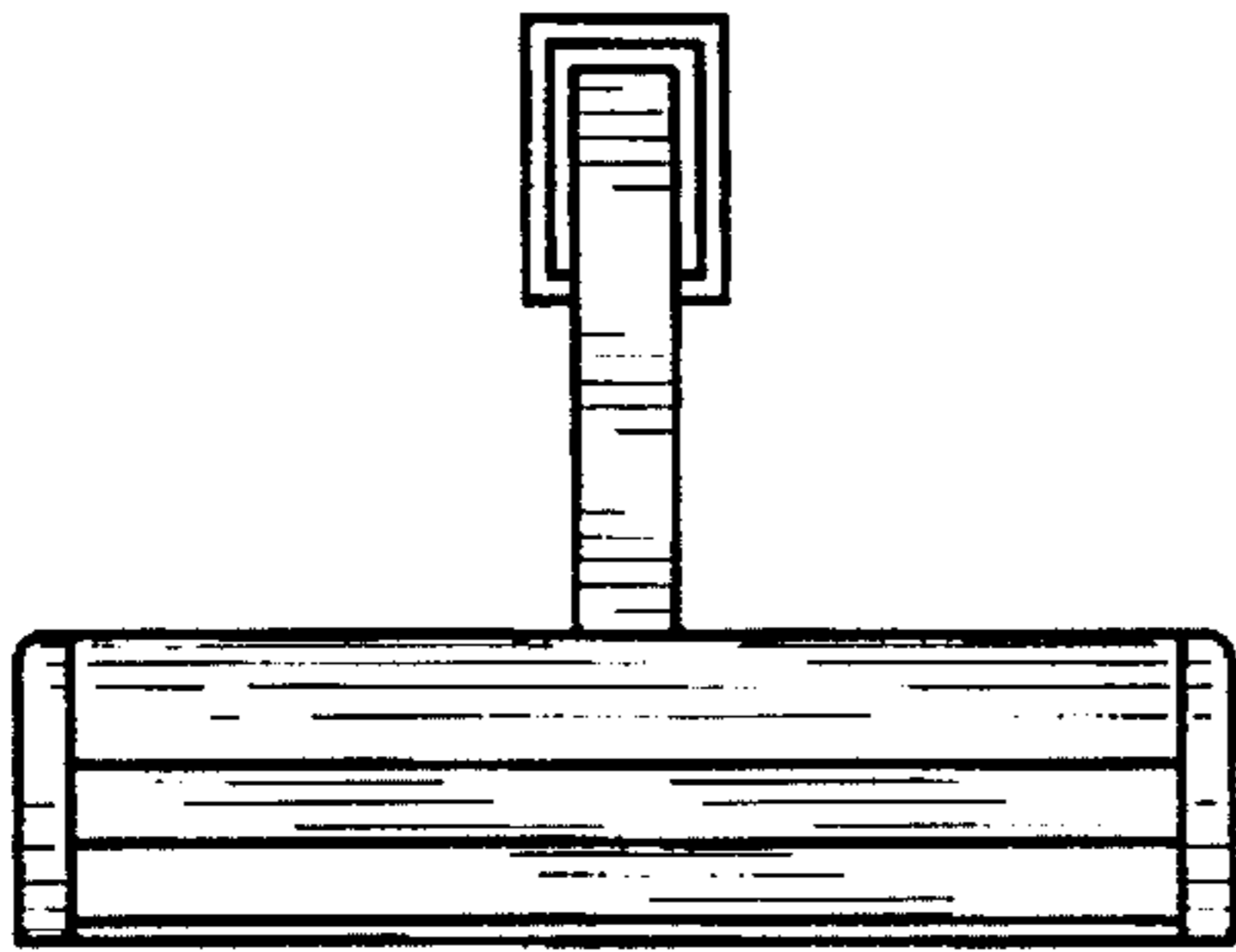
*FIG. 3*



*FIG. 4*



*FIG. 5*



*FIG. 6*

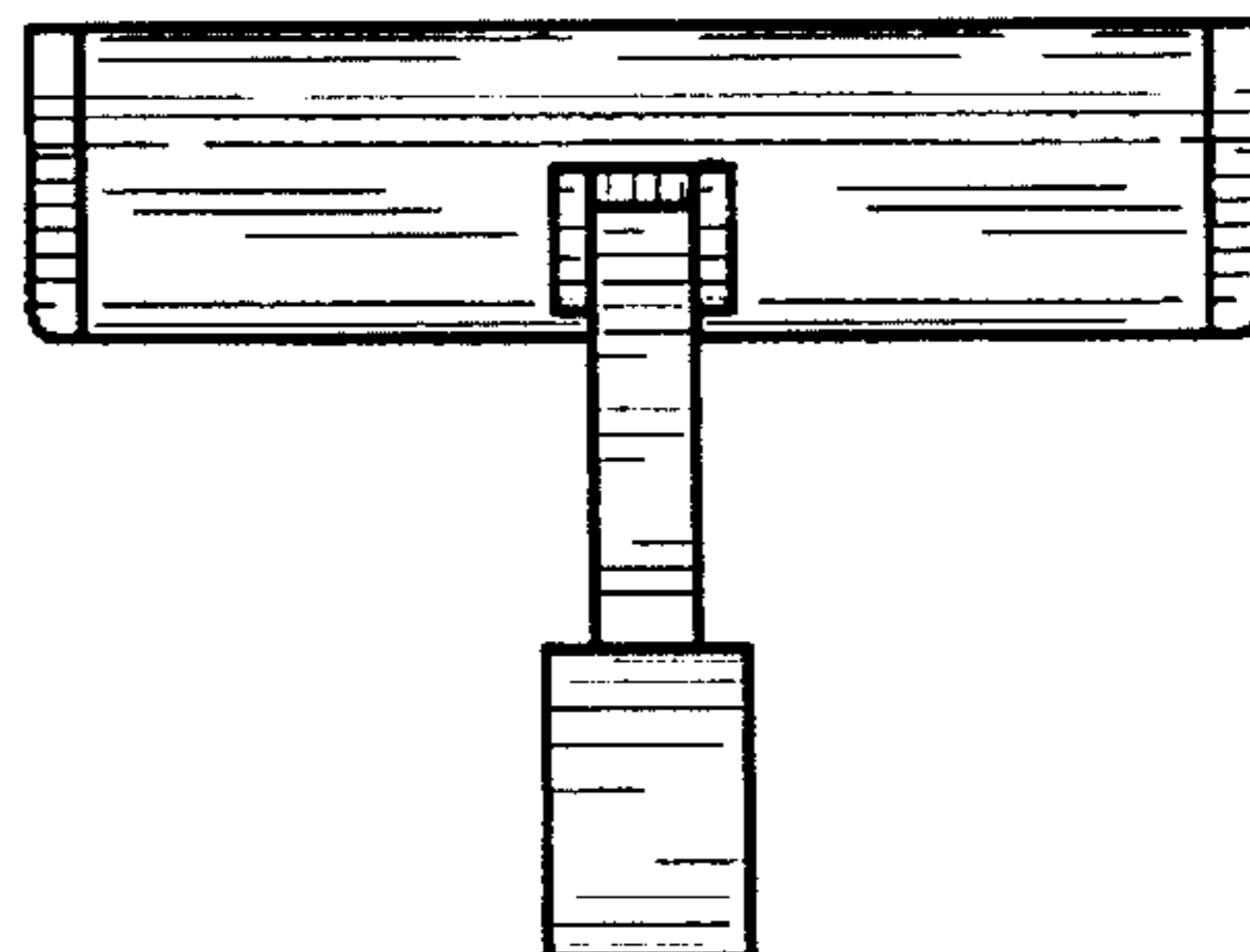


FIG. 7

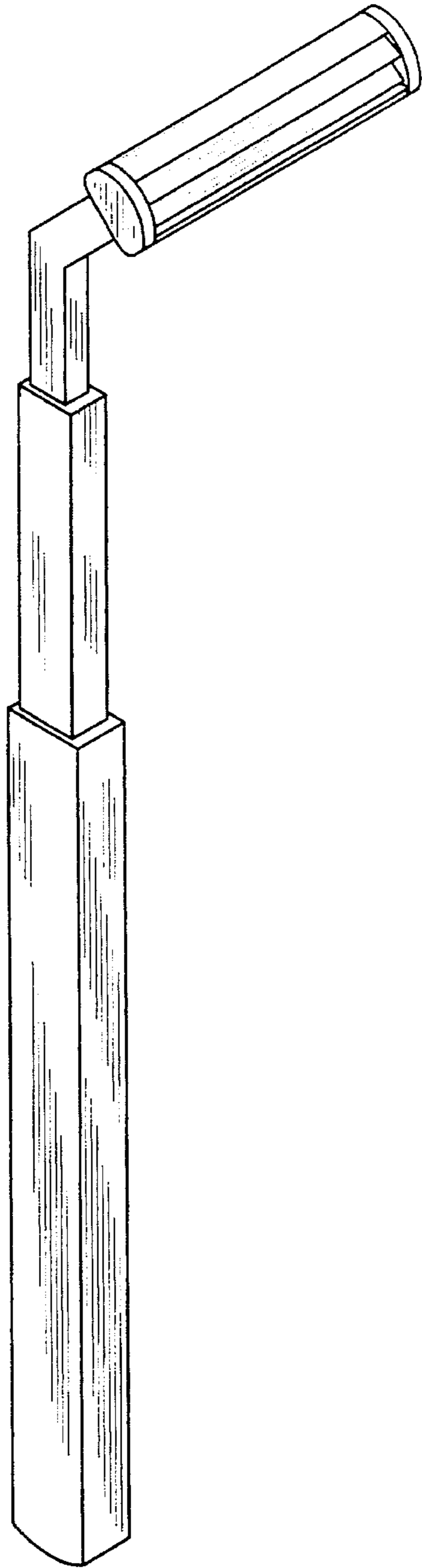


FIG. 8

