



US00D370740S

United States Patent [19] Rance

[11] Patent Number: **Des. 370,740**

[45] Date of Patent: ****Jun. 11, 1996**

[54] FLASHLIGHT HOLDER

[76] Inventor: **Ronald H. Rance**, 2822 Germain Dr.,
Saginaw, Mich. 48601

[**] Term: **14 Years**

[21] Appl. No.: **31,362**

[22] Filed: **Nov. 23, 1994**

[52] U.S. Cl. **D26/138**

[58] Field of Search D26/138; 362/191,
362/396; 224/201, 189, 269, 271, 265;
D8/373

[56] **References Cited**

U.S. PATENT DOCUMENTS

2,506,685	5/1950	Sadloski et al.	362/396 X
4,958,264	9/1990	Evendon	362/396 X
5,183,326	2/1993	Case	362/396 X

Primary Examiner—James M. Gandy
Assistant Examiner—Holly Baynham
Attorney, Agent, or Firm—John J. Swartz

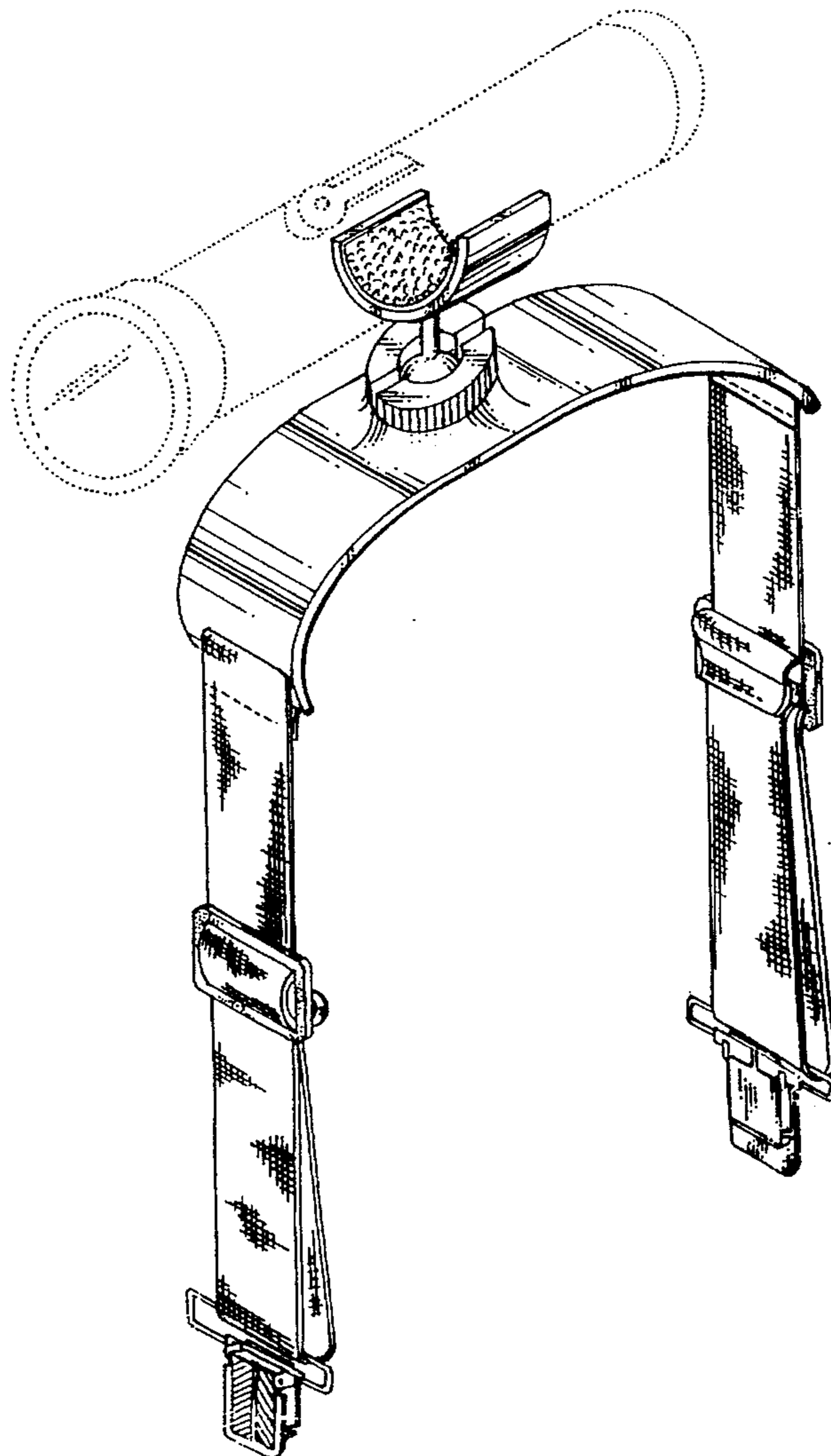
[57] **CLAIM**

The ornamental design for a flashlight holder, as shown and described.

DESCRIPTION

FIG. 1 is a front elevational view of a flashlight holder showing my new design of the present invention; FIG. 2 is an enlarged elevational view thereof; FIG. 3 is an enlarged view taken from the left side of FIG. 1, it being understood that the opposite side view is a mirror image thereof; FIG. 4 is an enlarged top plan view thereof; FIG. 5 is an enlarged bottom plan view thereof; and, FIG. 6 is an enlarged top, side perspective view thereof. The broken line illustration of a user and flashlight in FIG. 1 and a flashlight in FIG. 6 is for illustrative purposes only and forms no part of the claimed design. The cross hatched shading shown on the straps is understood to cover the entire surface. A contrasting shading on the support member represents a cloth surface.

1 Claim, 3 Drawing Sheets



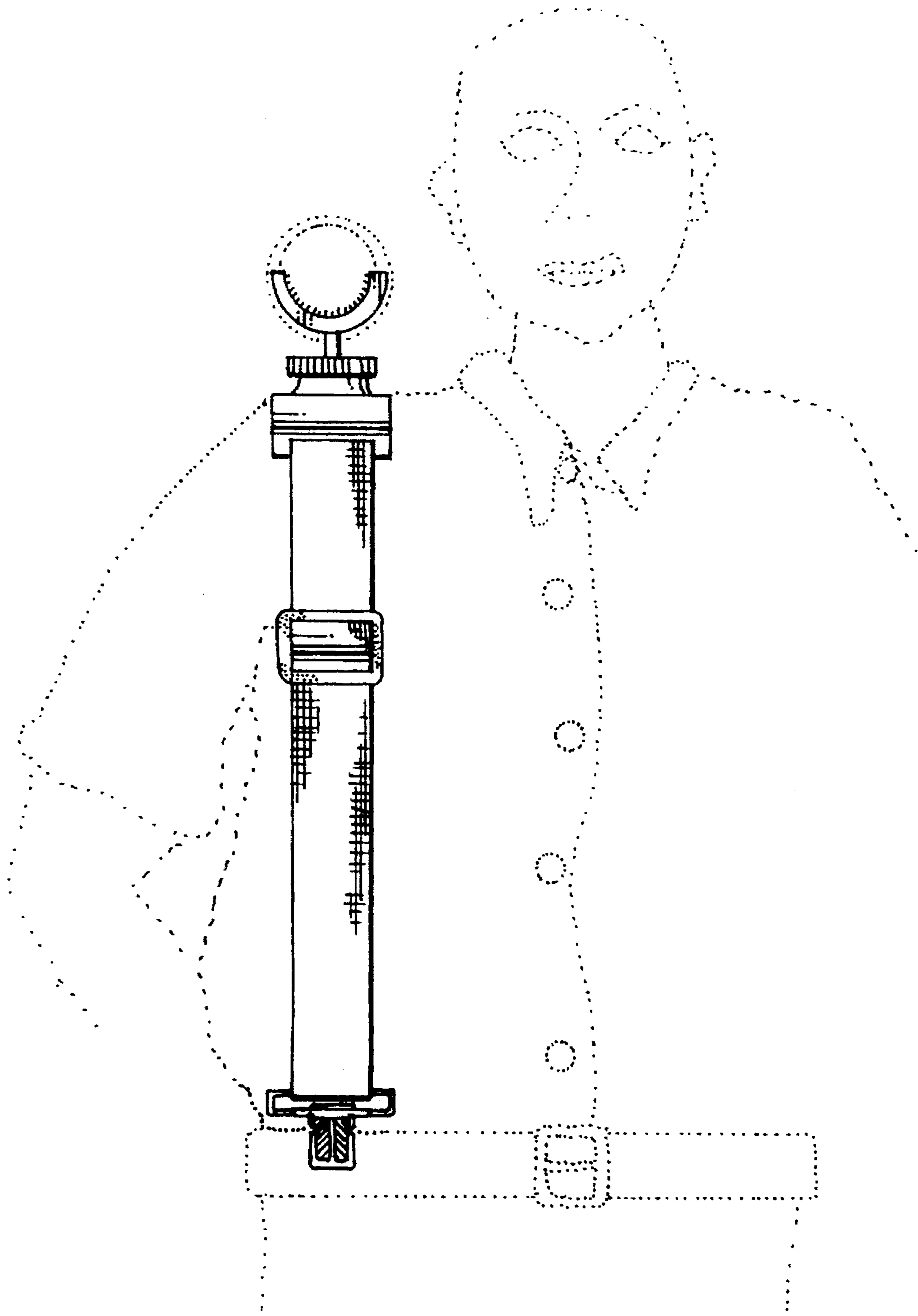


FIG. 1

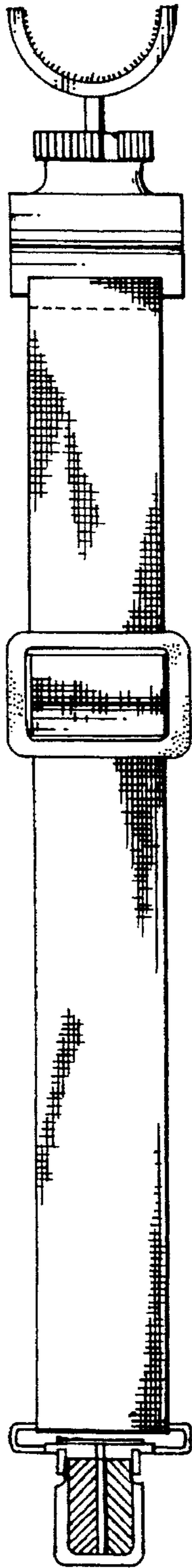


Fig. 2

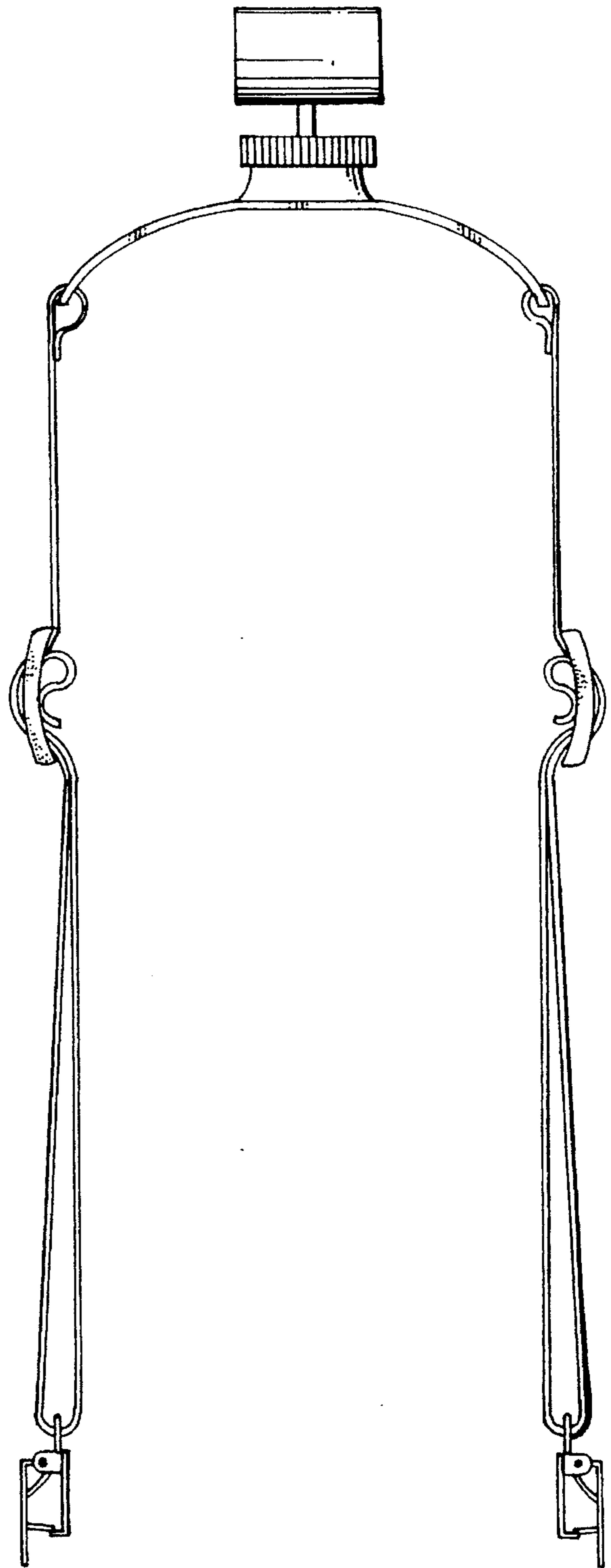


Fig. 3

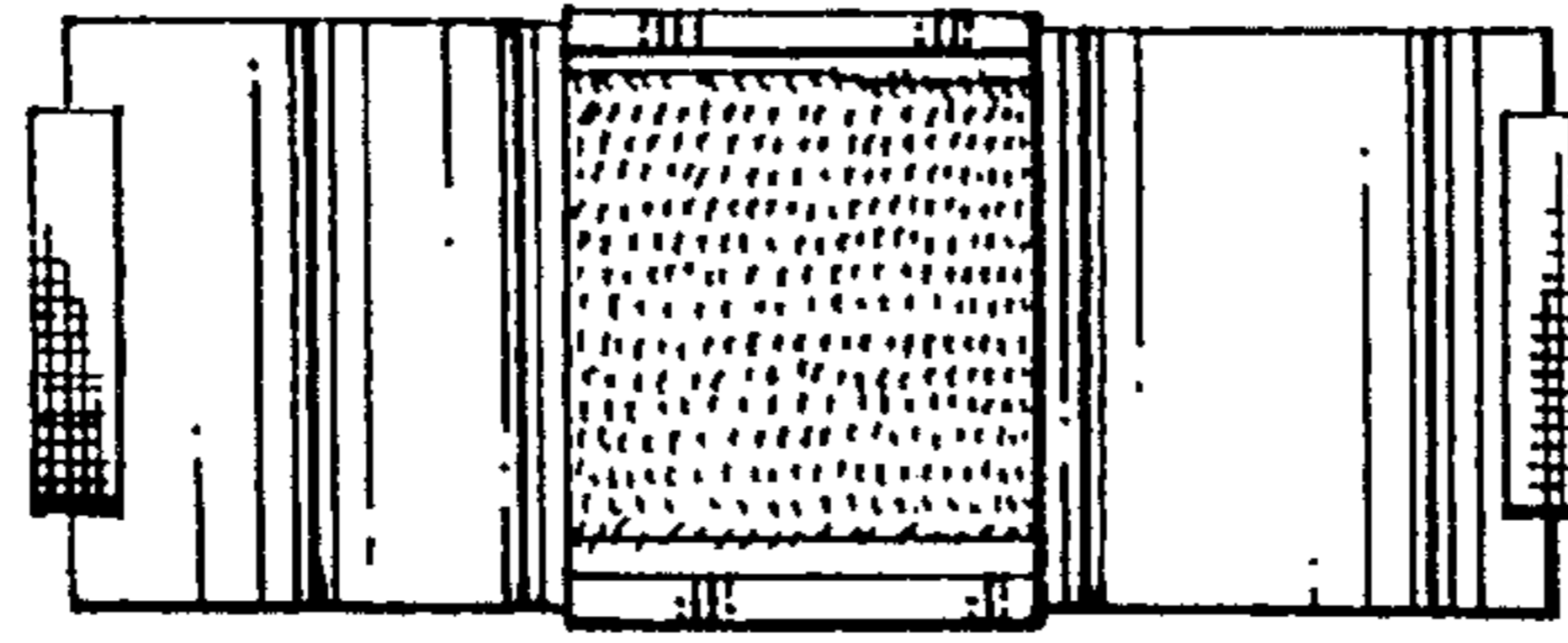


Fig. 4

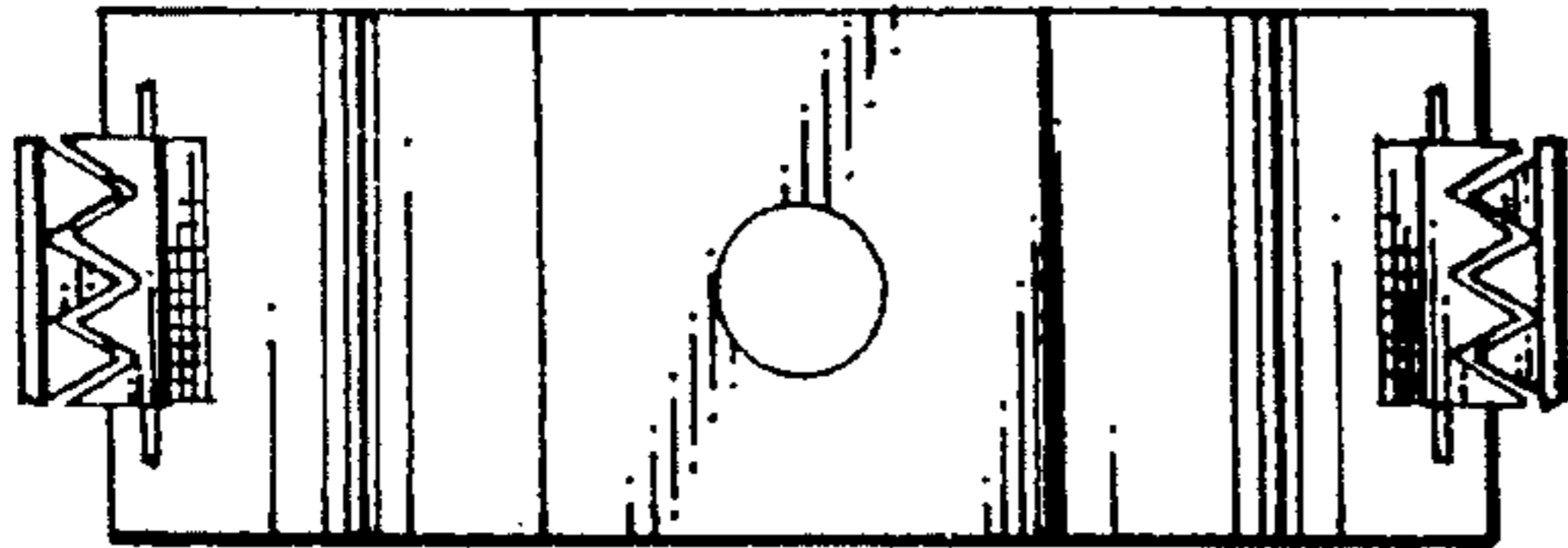


Fig. 5

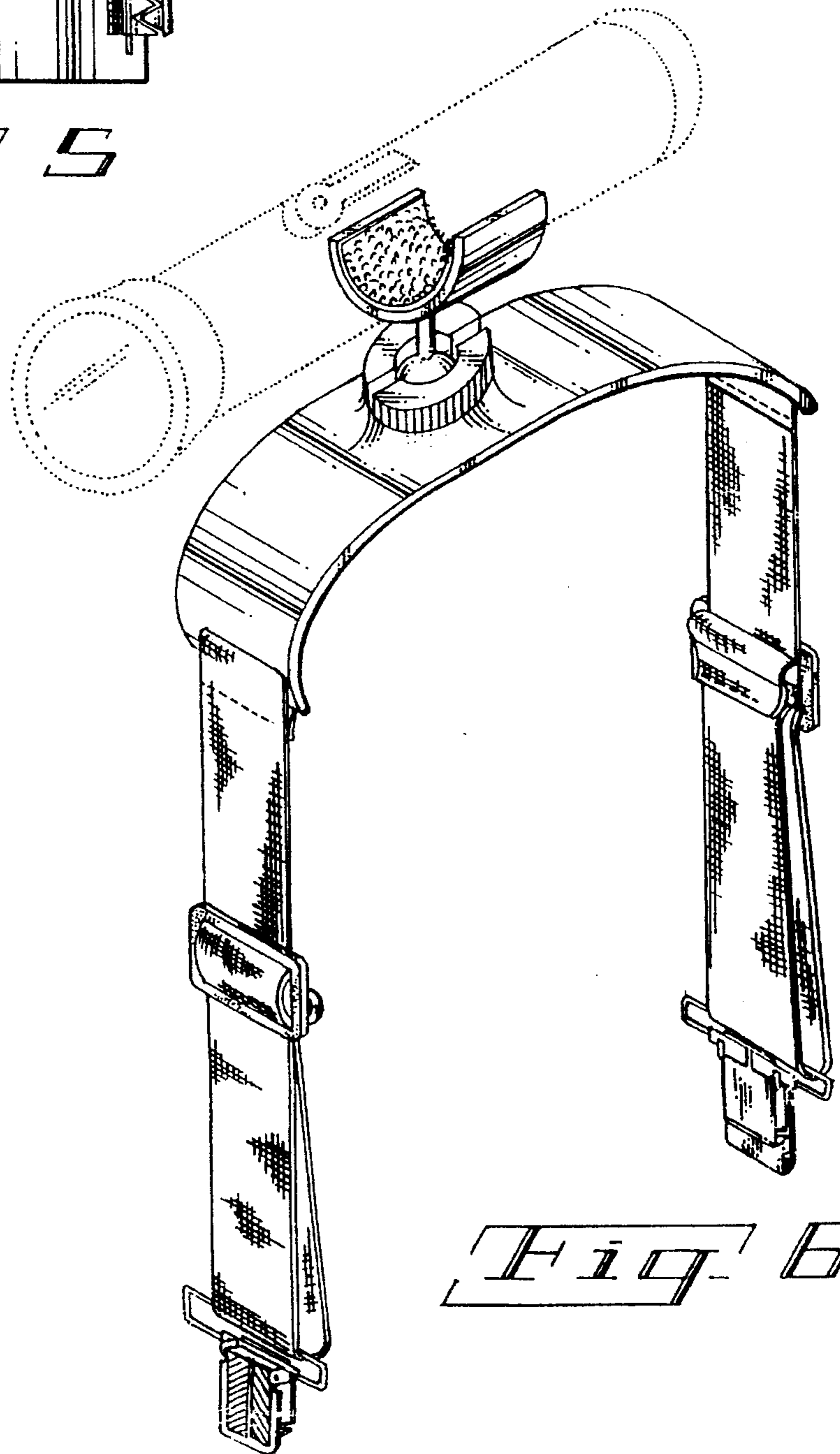


Fig. 6